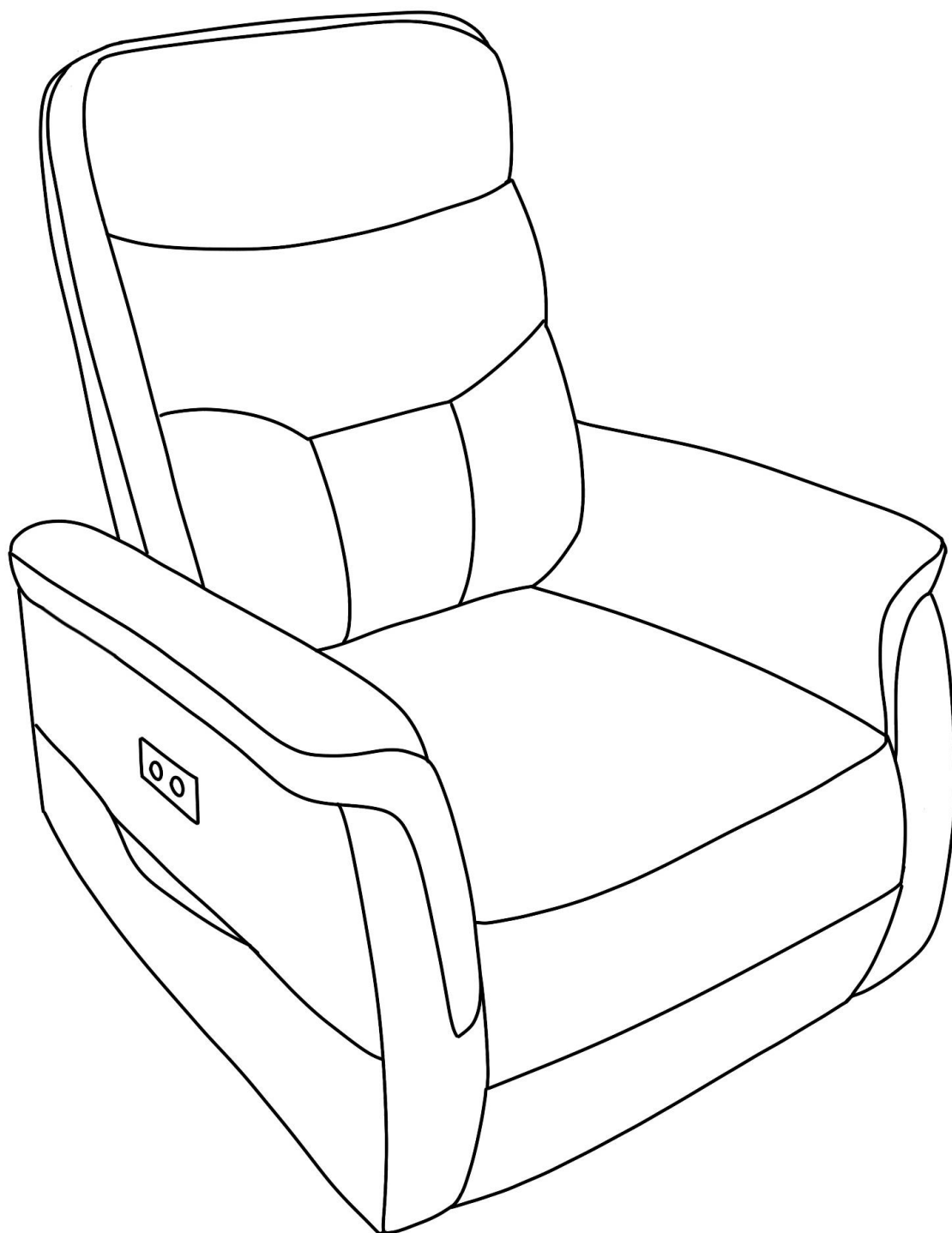


Chair

Please note: This chair is shipped in 2 packages, and the delivery time for both packages may be delayed. Please do not worry.



NOTICE



Please keep these instructions for future reference.

Dear Customer

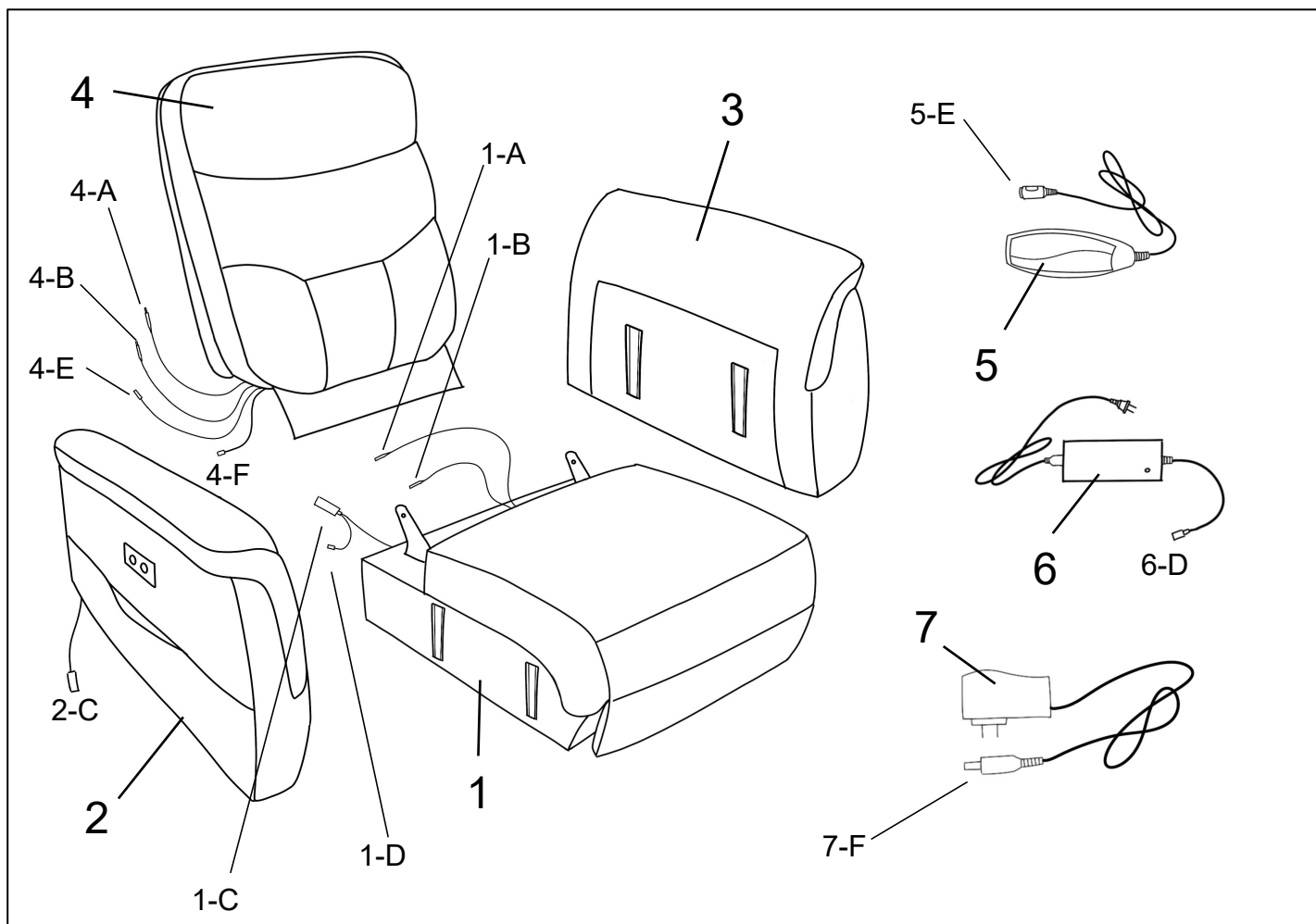
- Thank you for your purchase. When you receive the product, please make sure that all the parts are intact. Then follow the entire installation instructions to install!
- Please make sure to install it in case of power outage.

If problem occur unsatisfactorily as follows

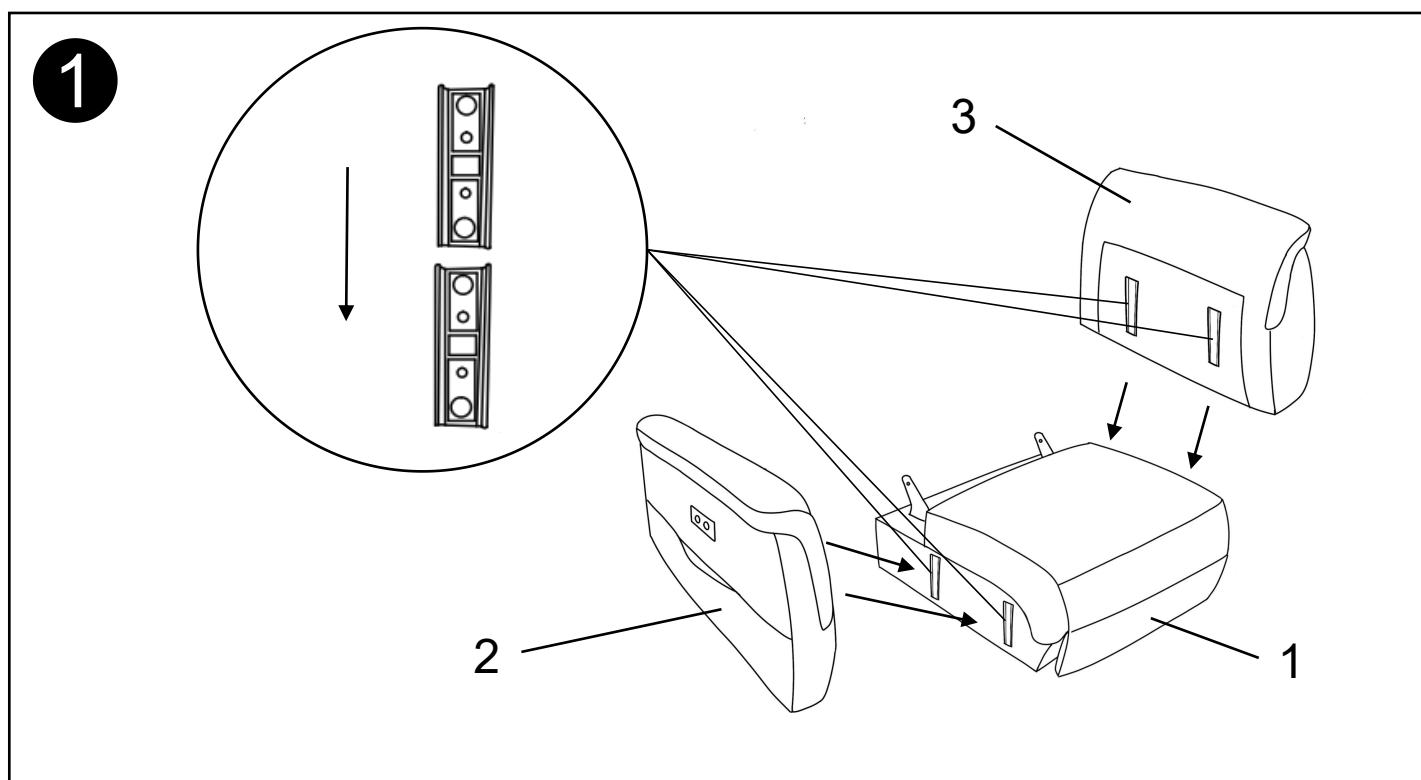
- A** . The outer box is damaged
- B** . The product is damaged / bent / cracked while you open the box
- C** . The parts / accessories / assembly tools are missing
- D** . The instructions are not clear and can not be referred
- E** . The product has functional problems
- F** . Other aspects that you are not satisfied with

Please feel free to contact us for help.

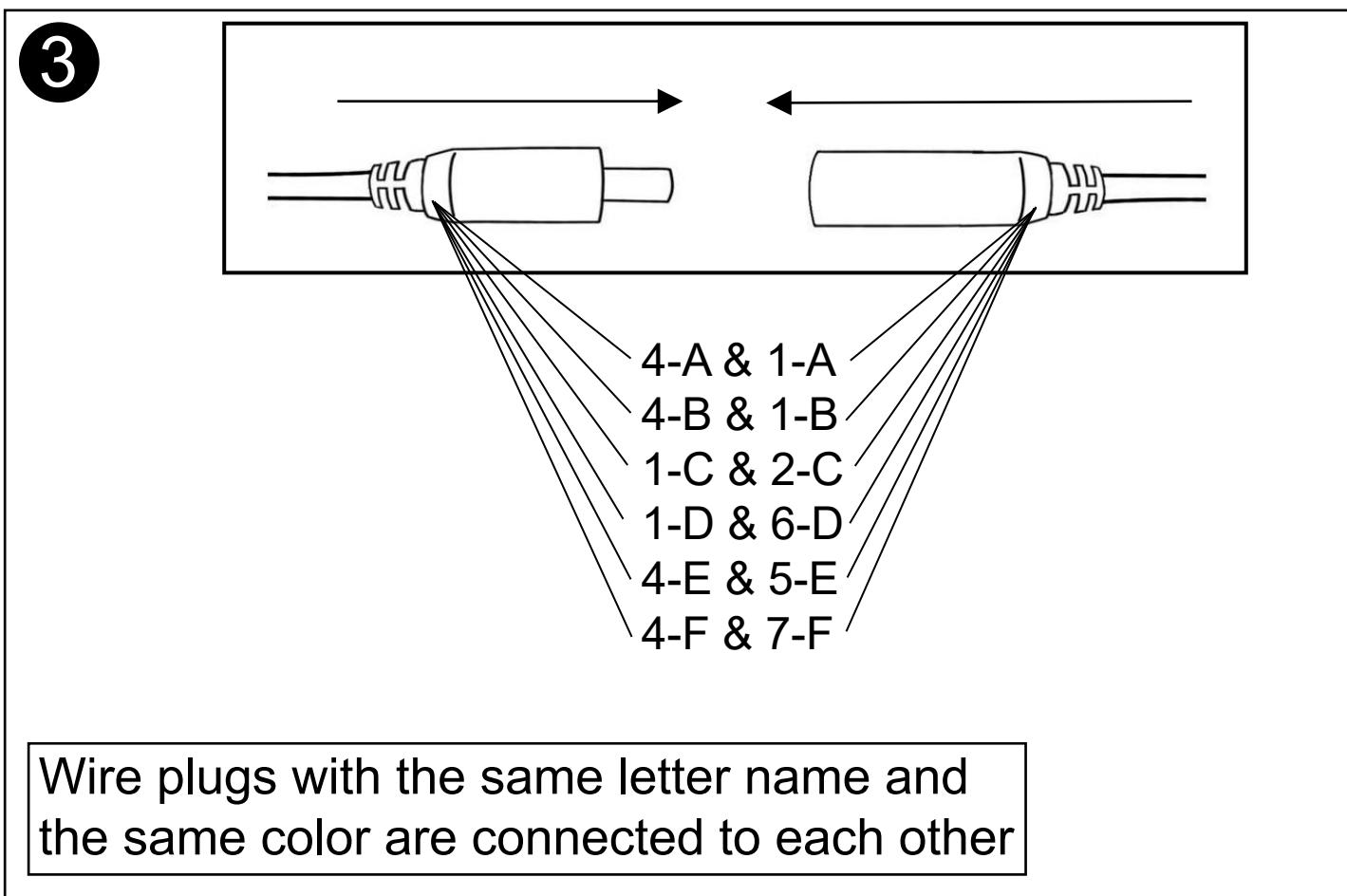
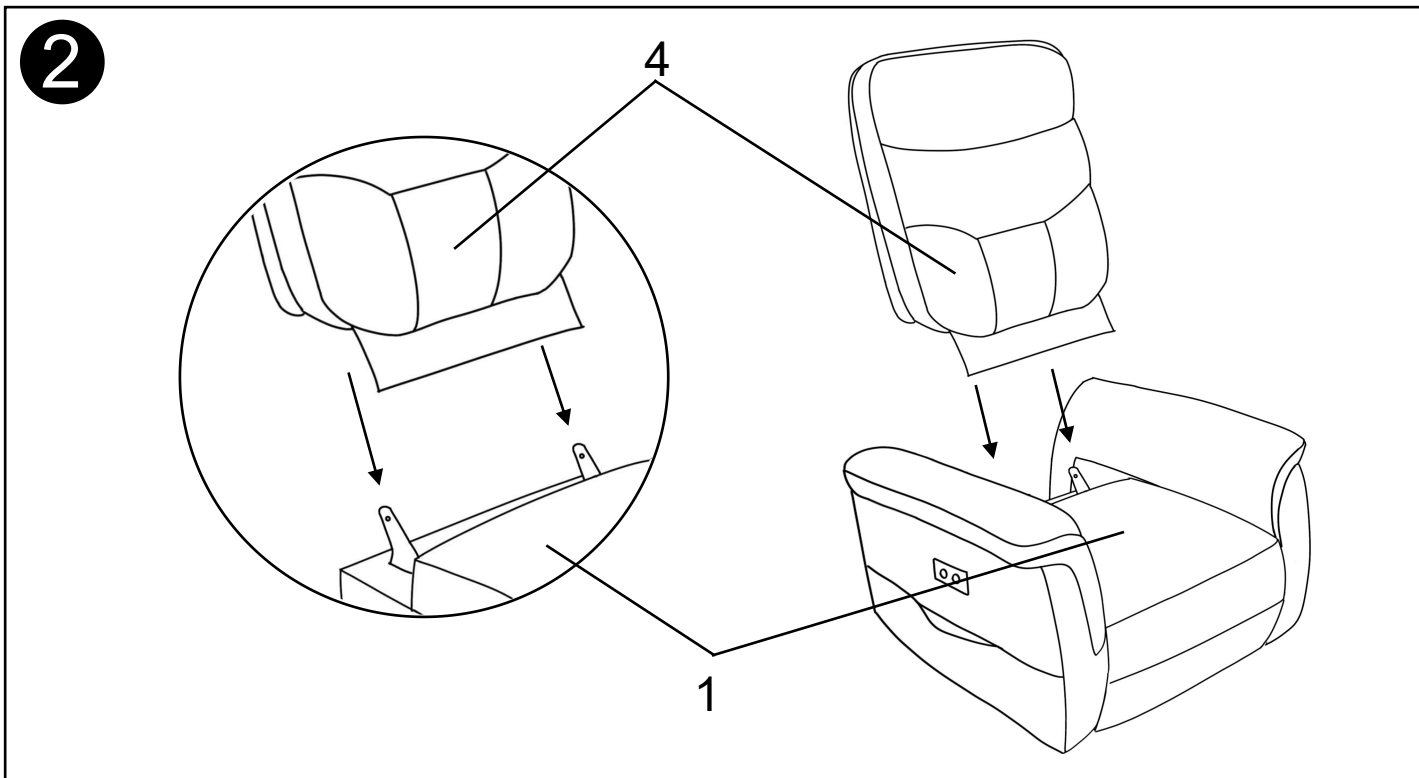
PART LIST



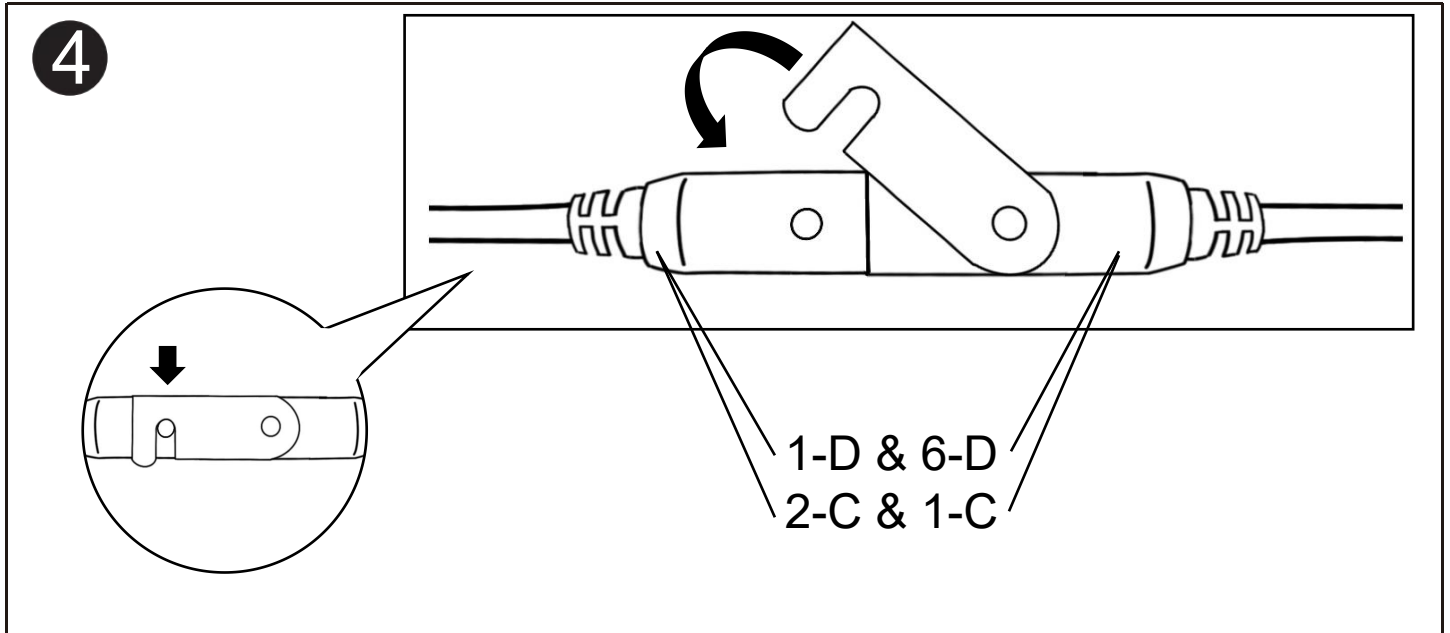
STEP 1



STEP 2



STEP 3



Please note: We provide fast after-sales service, don't worry if there is something wrong with the package you received. Please contact us first, we will reply you in time!

**The installation is complete.
Make sure ALL the screws are fully tighten.**