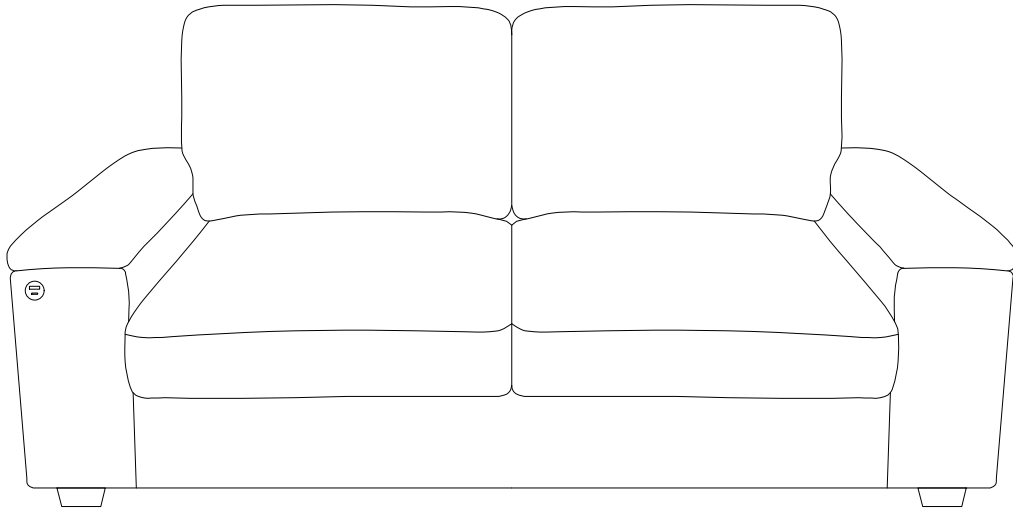


INSTRUCTIONS



PARTS LIST



a=4pcs
M8*60



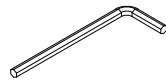
b=20pcs
M8*20



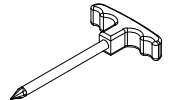
c=2pcs
M5*25



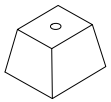
d=24pcs
M8*18



e=1pc
5MM



f=1pc



A=4pcs



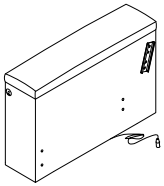
B=4pcs



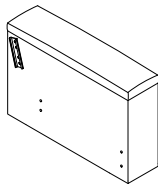
C=2pcs



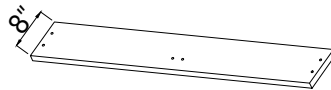
D=1pc



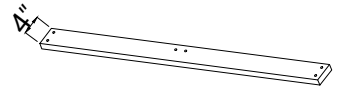
E=1pc



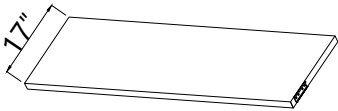
F=1pc



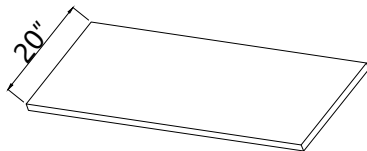
G=1pc



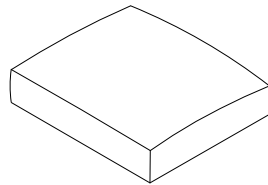
H=1pc



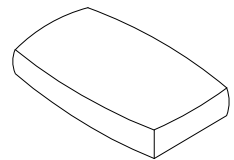
I=1pc



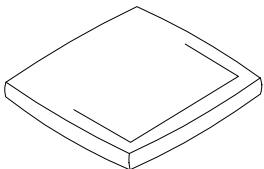
J=1pc



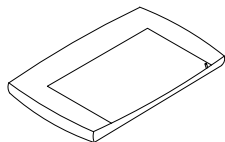
K=2pcs



L=2pcs

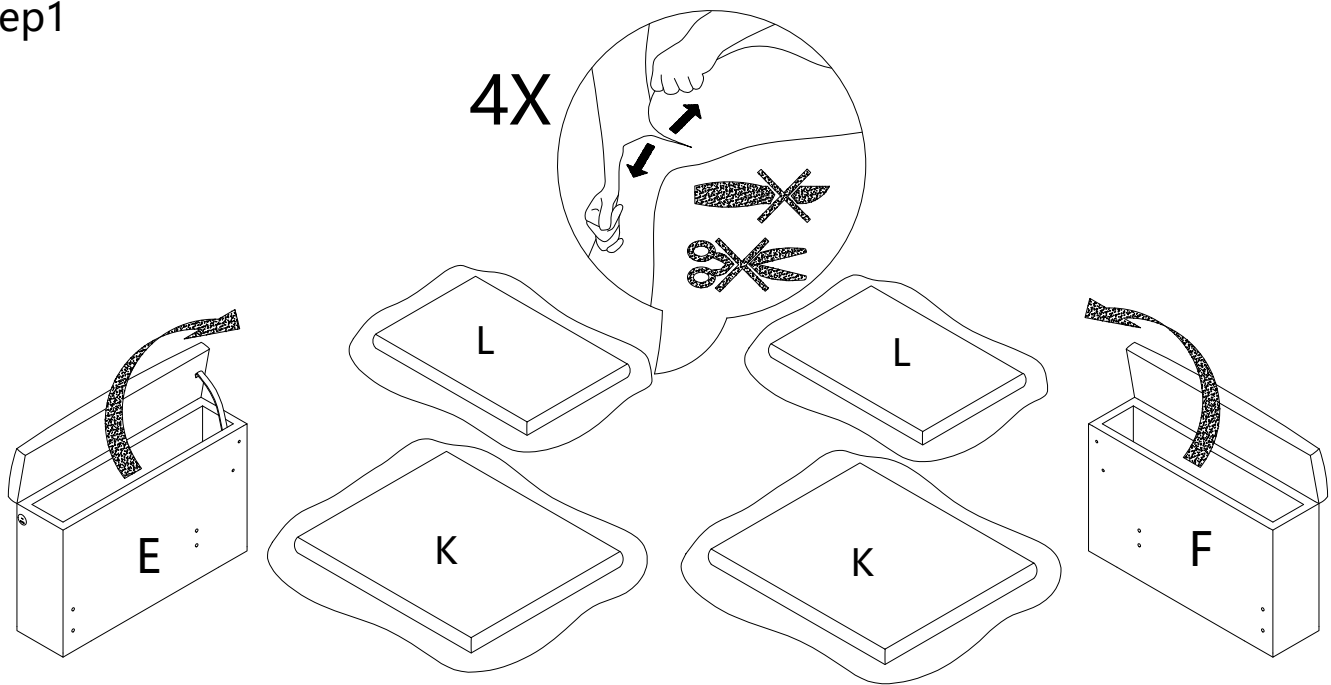


M=2pcs

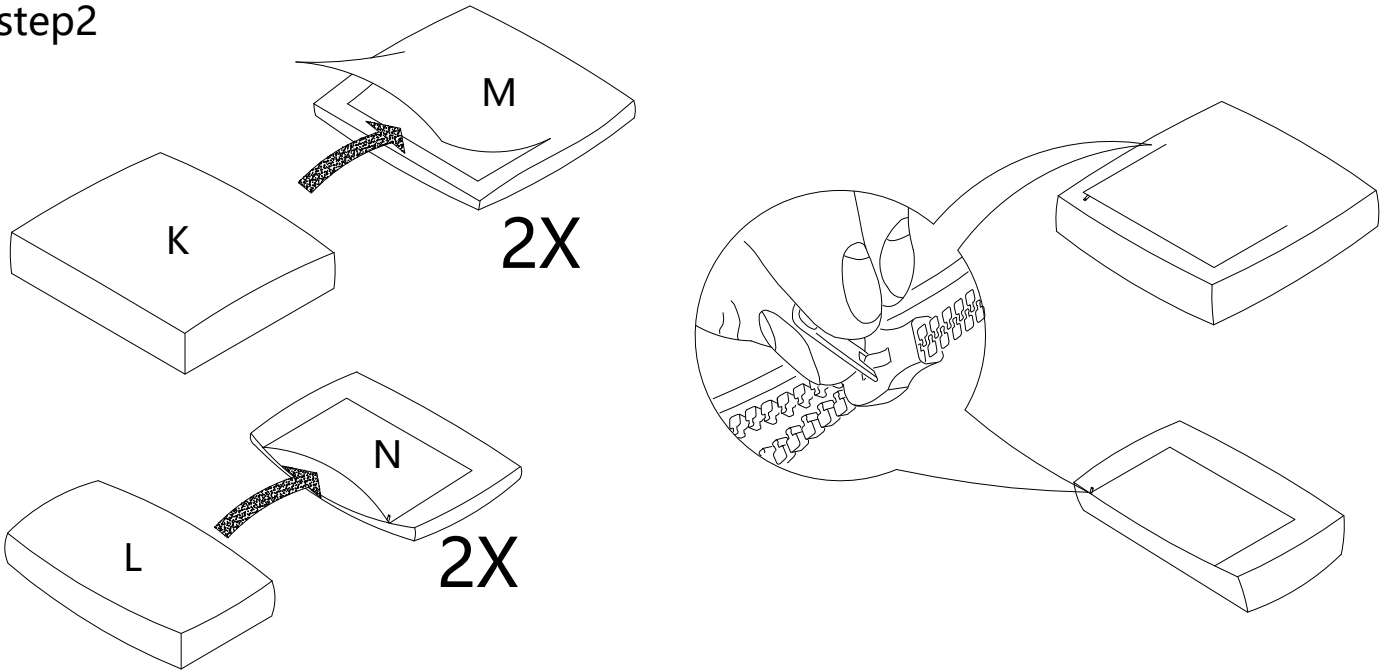


N=2pcs

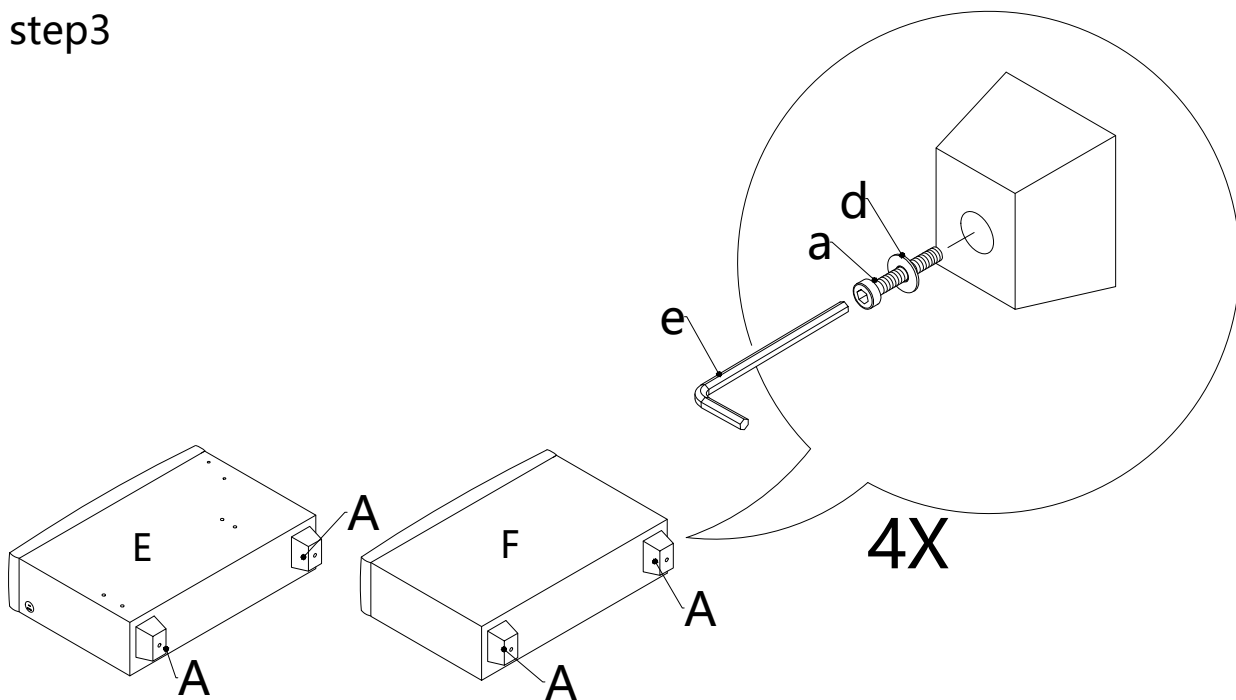
step1



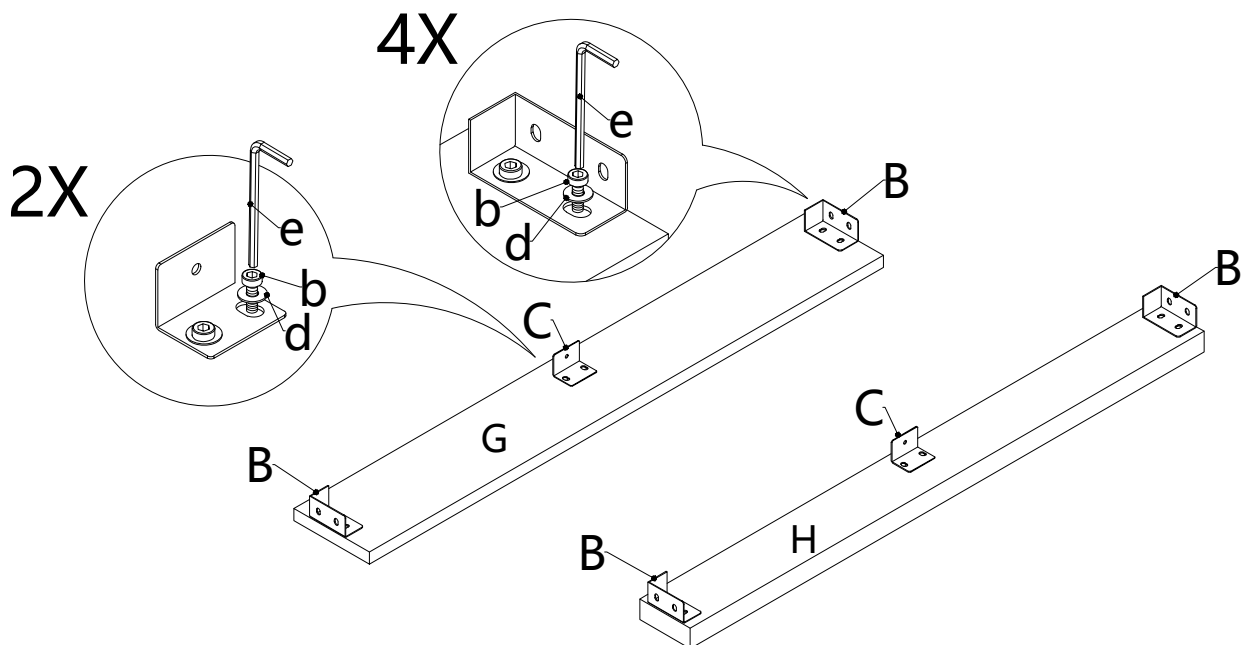
step2



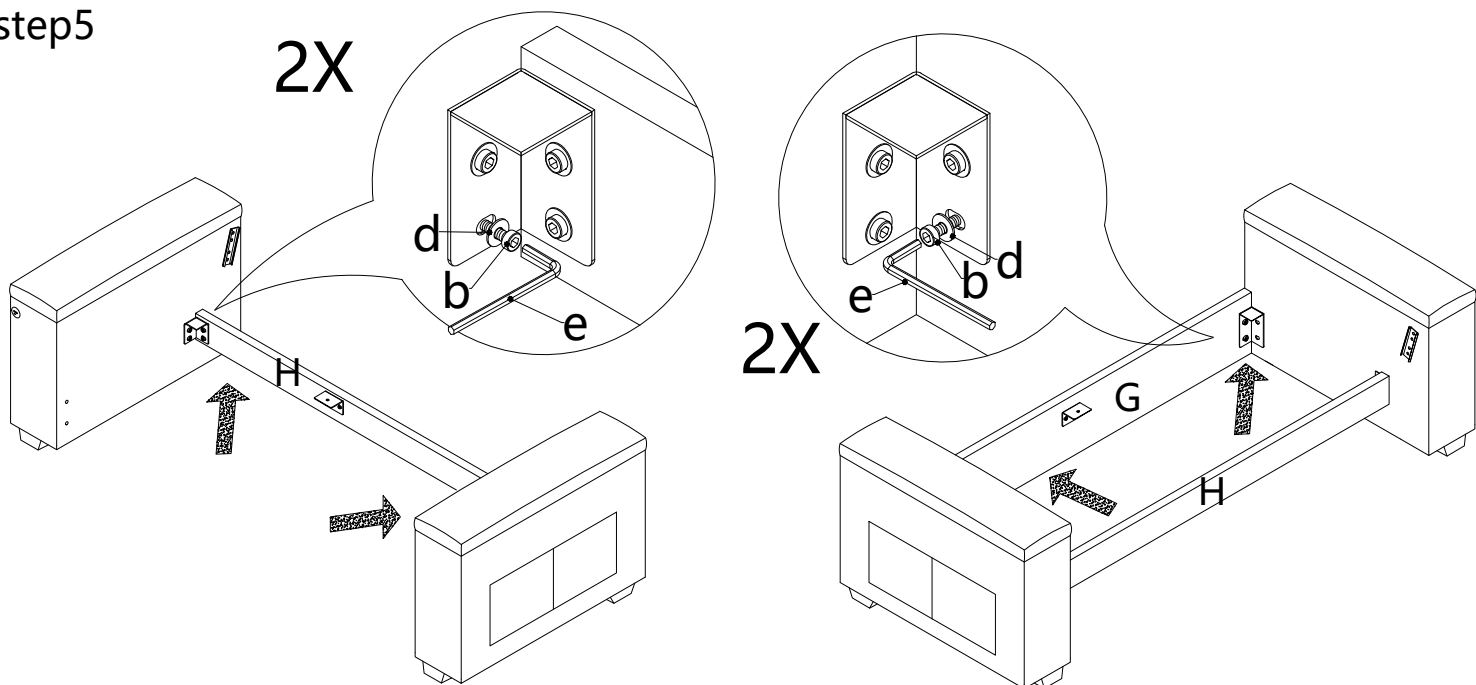
step3



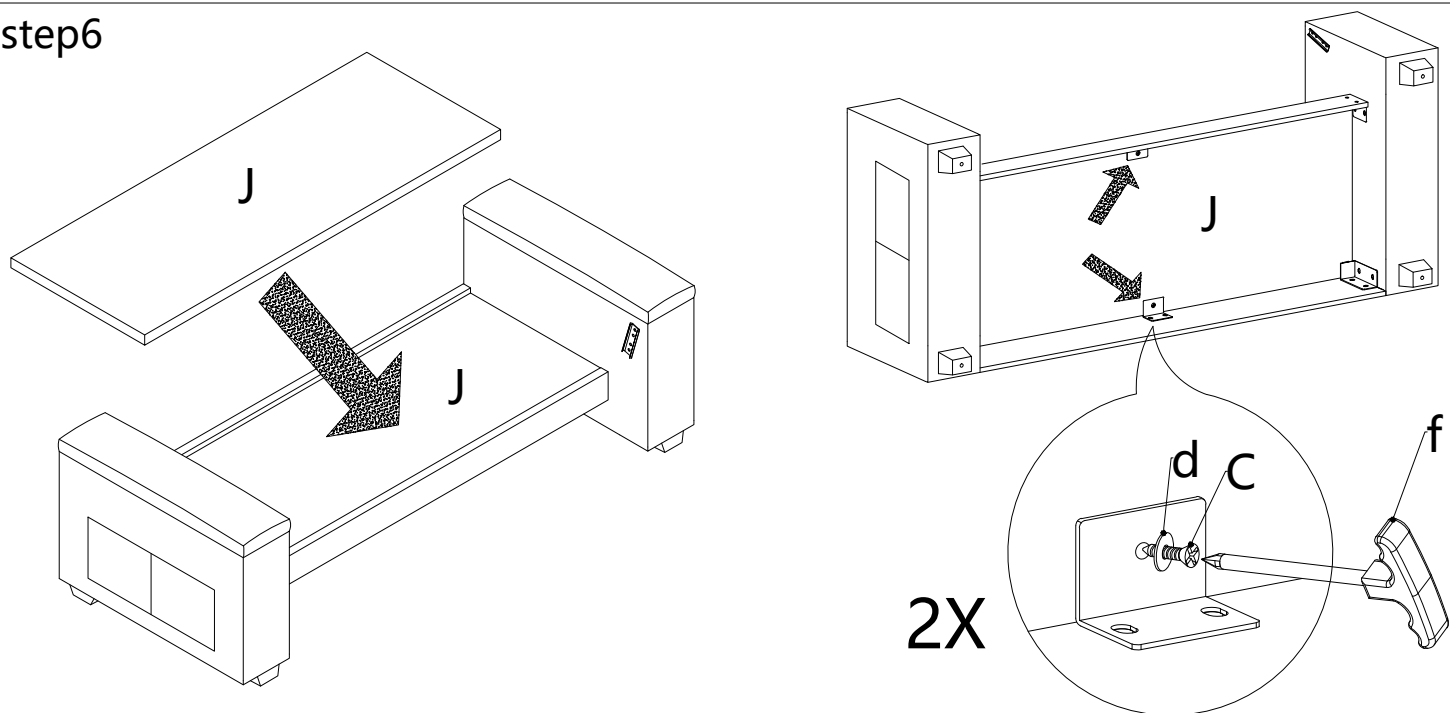
step4



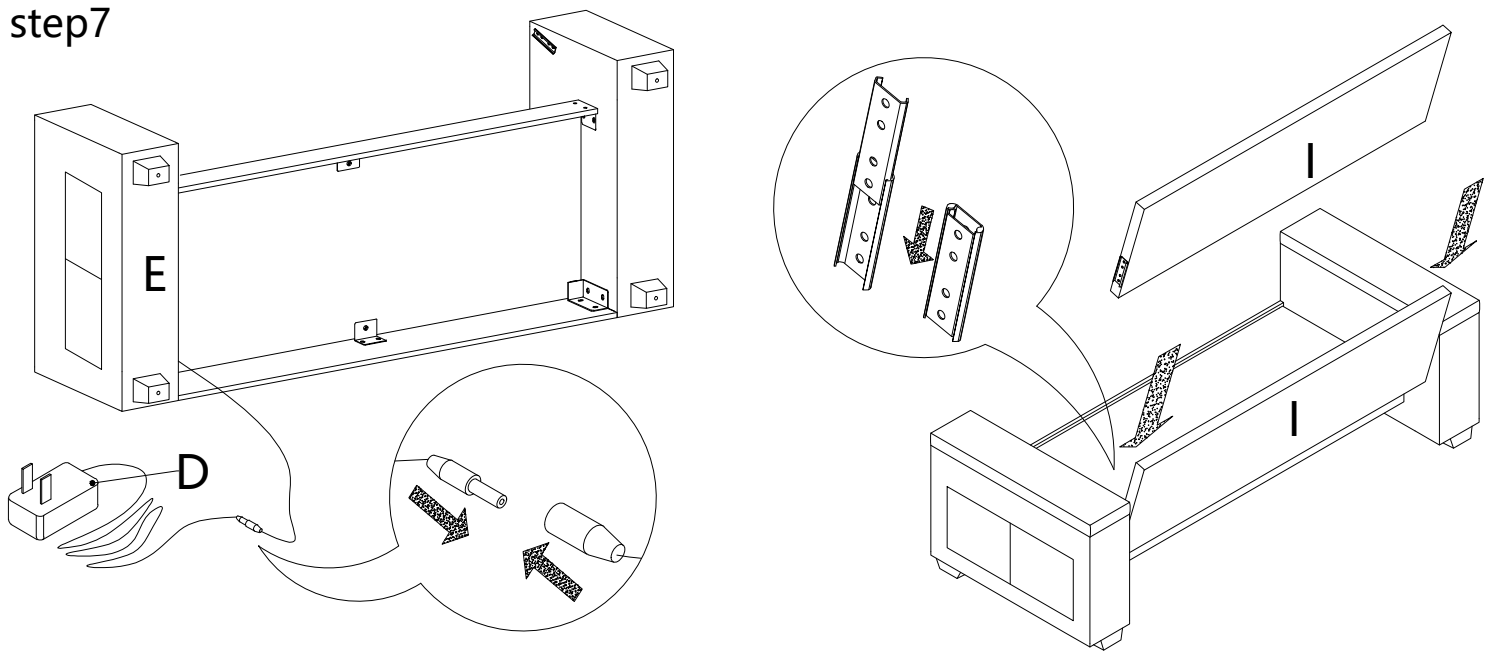
step5



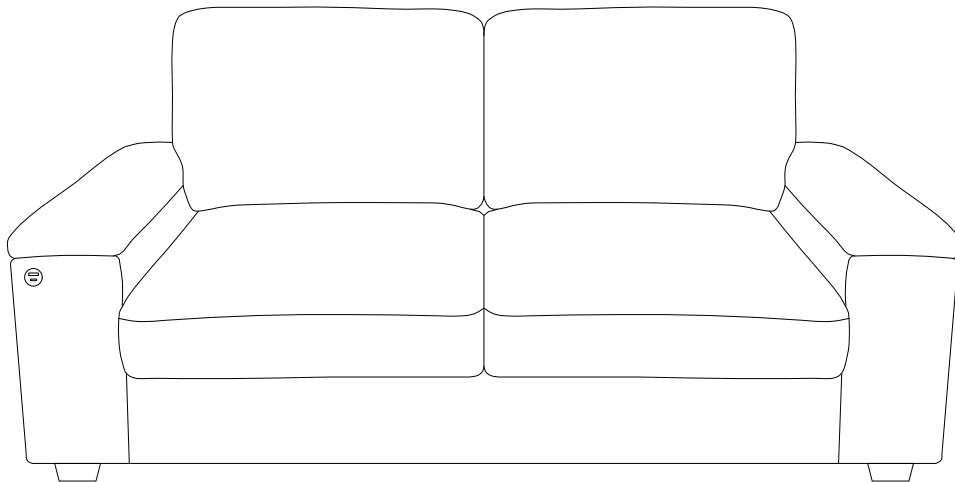
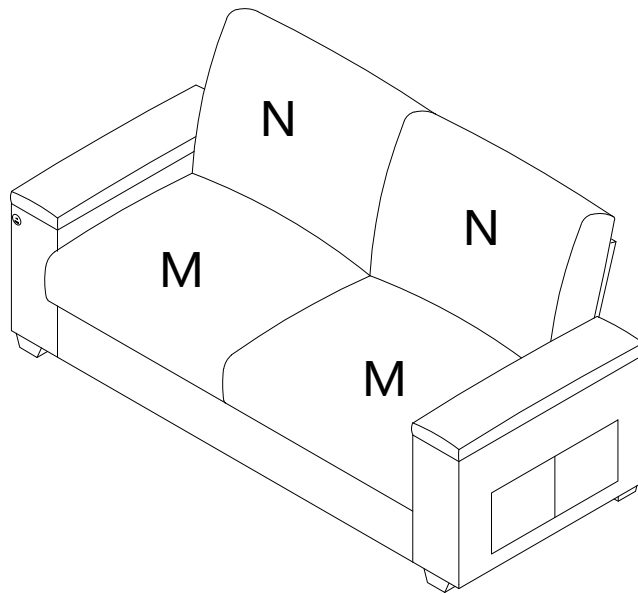
step6



step7



step8



WARM TIP

1. Compressed back cushion and seat cushion should be recovered 72 hours after opening.
2. Avoid scratching, please open compressed cushion by hand, do not use scissor and knife.