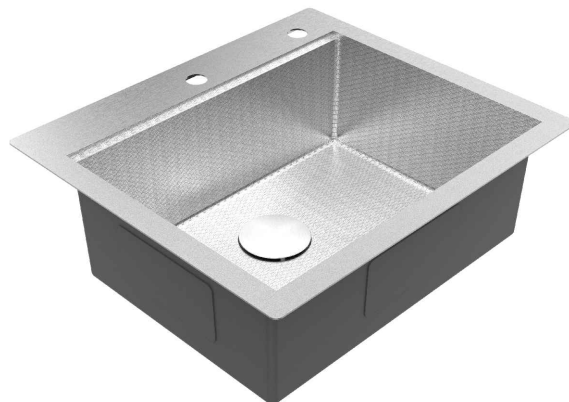


Series	Matrix
Material	16 Gauge, Type 304 stainless steel
Installation Type	Top mount / Drop-in
Configuration	Single bowl
Finish	Embossed hexagon finish
Overall Dimensions	25" x 22" x 9"
Bowl Dimensions	22" x 16 1/8" x 8 3/8"
Drain Size	3 5/8"
Finishes Available	Stainless Steel, Gunmetal Grey
Minimum cabinet size	27"
Template Included	Yes
Clips Included	Yes
Drain Location	Rear
Accessories Included	Strainer, Cutting board, Drying rack and Strainer cap

Shown in Stainless Steel



MODEL	ACCESSORY
HST2522SBGG	Cutting Board - CB1710BLR5
HST2522SBGG	Strainer Cap - L-CAPGG
HST2522SBGG	Strainer - L-1GGMA
HST2522SBGG	Drying Rack - DR1712BLR5
HST2522SBSS	Cutting Board - CB1710BLR5
HST2522SBSS	Strainer Cap - L-CAP
HST2522SBSS	Strainer - L-1
HST2522SBSS	Drying Rack - DR1712BLR5

MODEL	FINISH
HST2522SBGG	Gunmetal Grey
HST2522SBSS	Stainless Steel

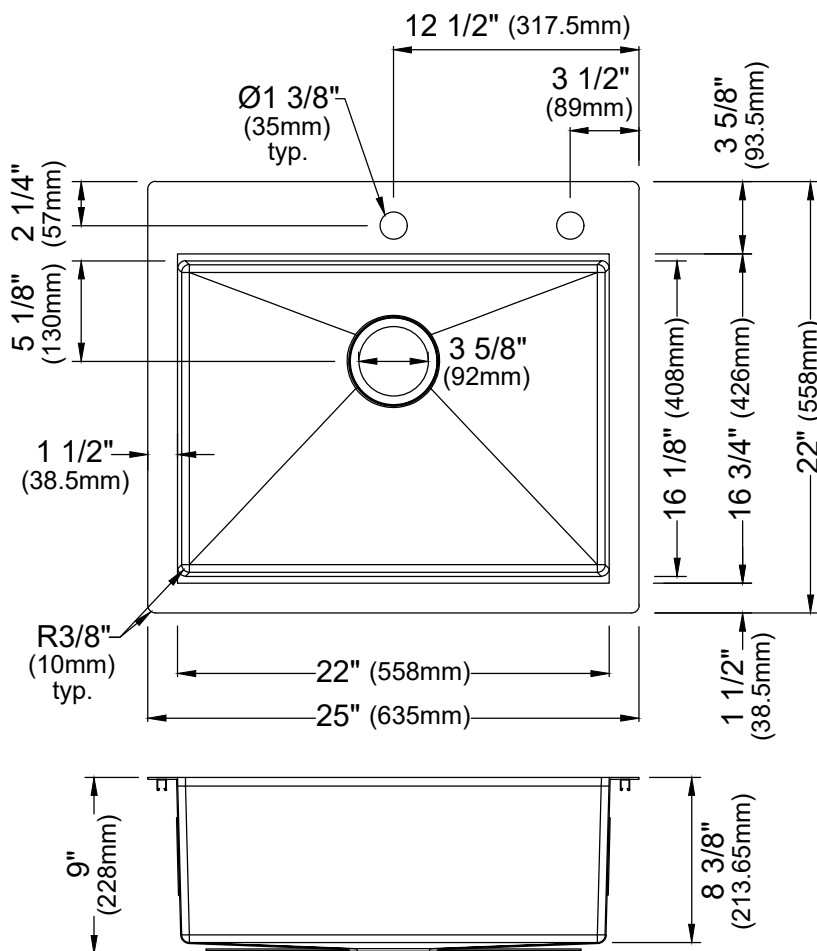
Stocked Color Options



Stainless Steel



Gunmetal Grey



Listing and certifications:
cUPC

Limited lifetime warranty

We reserve the right to update product specifications without notice. Please visit karran.com for the most current specification sheets. All dimensions are accurate to 1/4". REV 03-2026