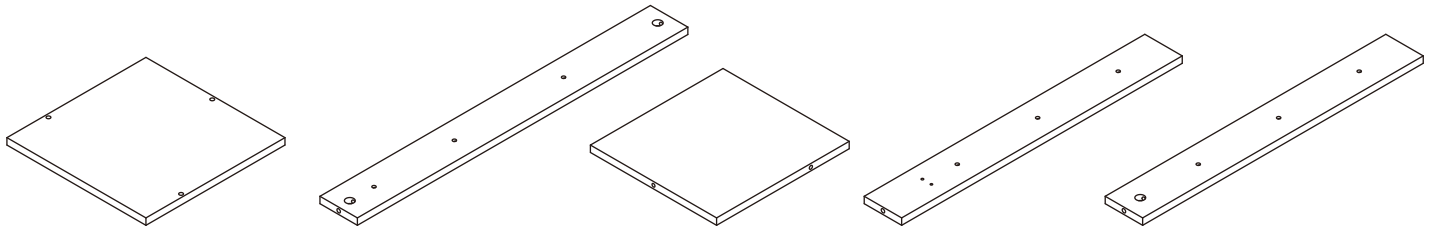


ASSEMBLY INSTRUCTION



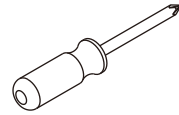
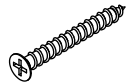
Ax2

Bx3

Cx6

Dx2

Ex1



Fx9

Gx9

Hx18

Jx2

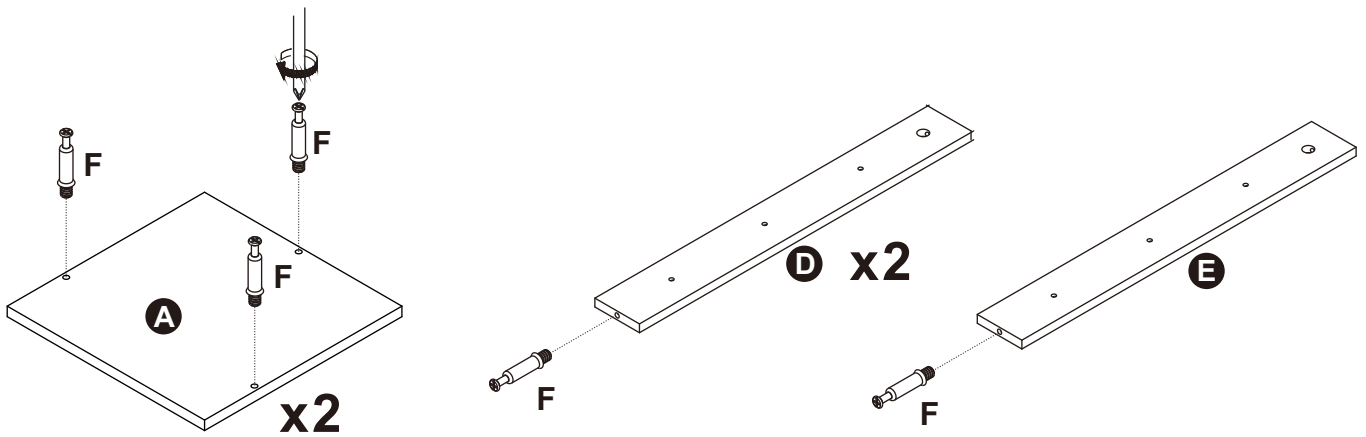
Kx4

Lx4

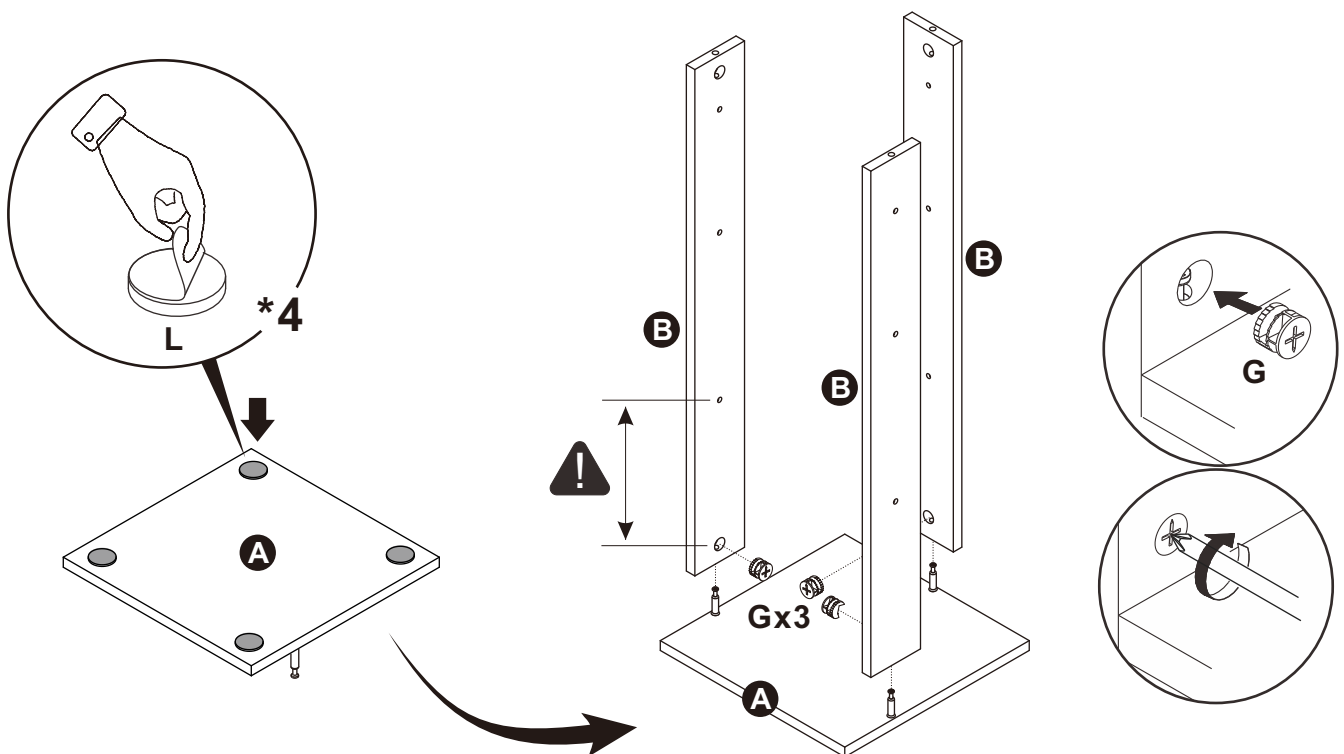
Mx1

Nx1

1

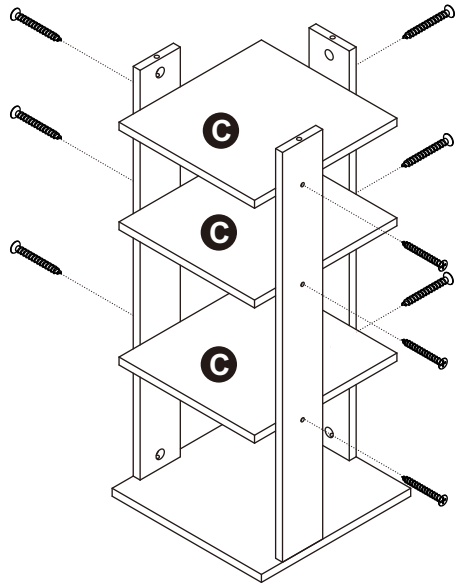


2

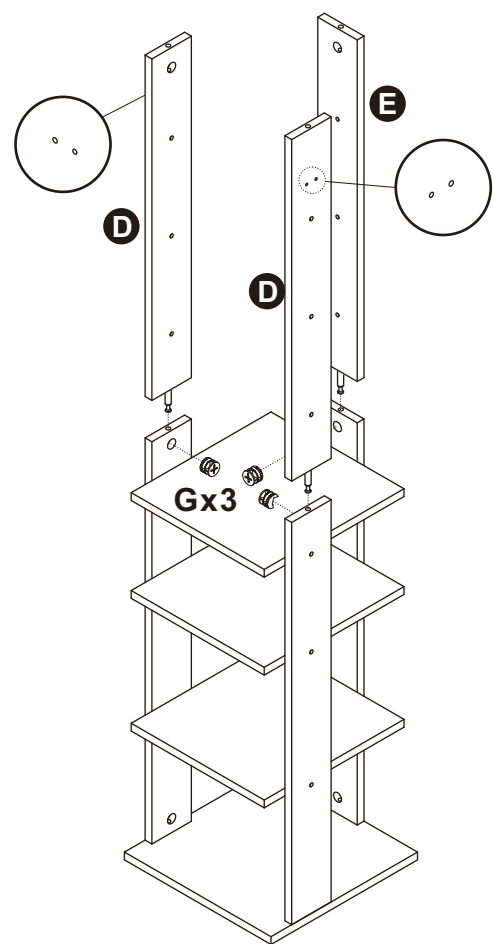


2

Hx9

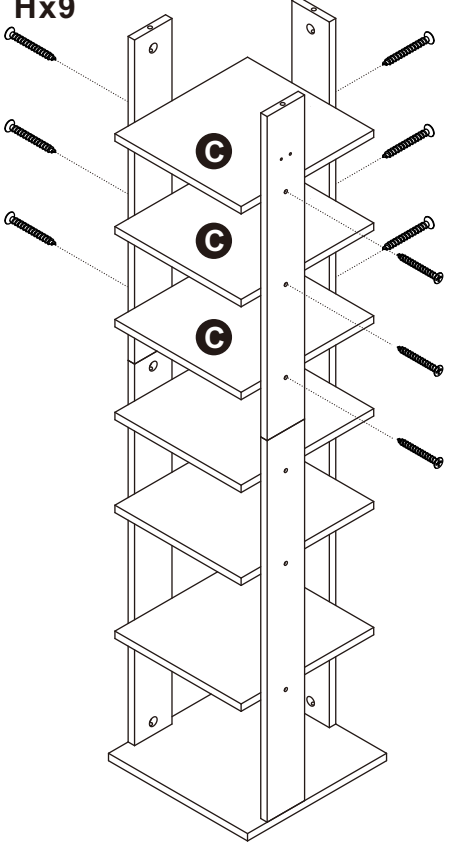


3

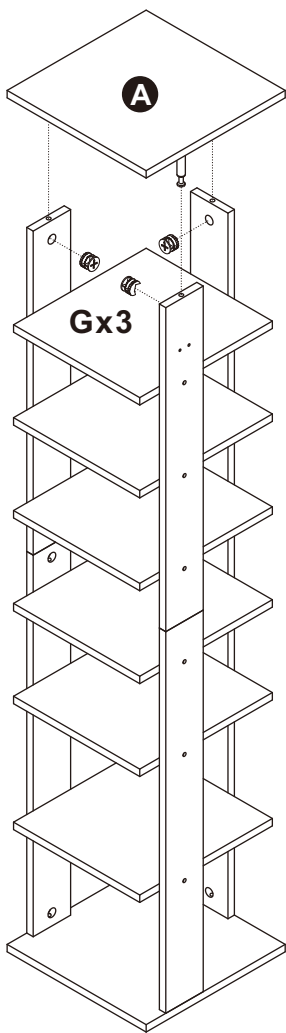


4

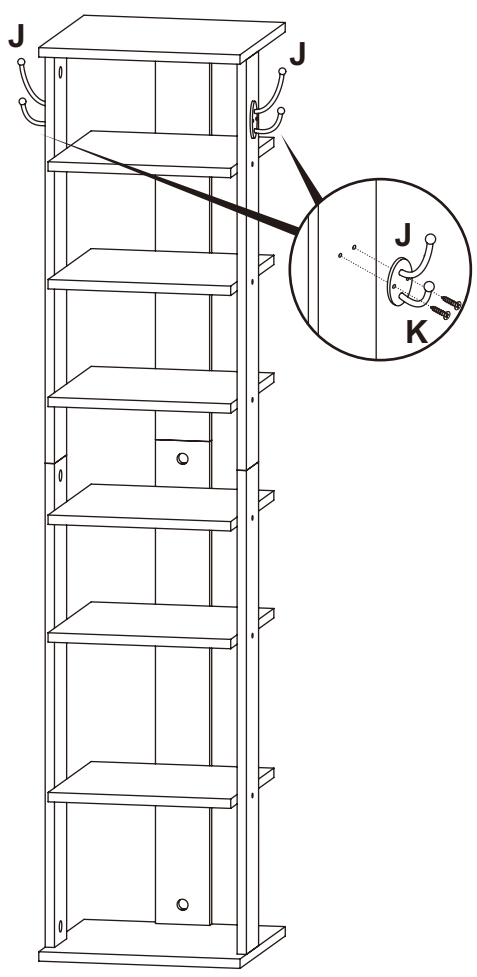
Hx9



5



6



7

