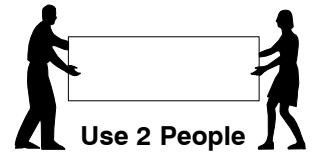
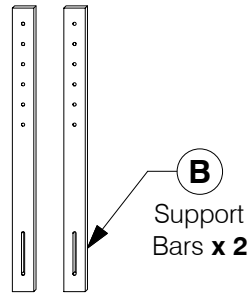
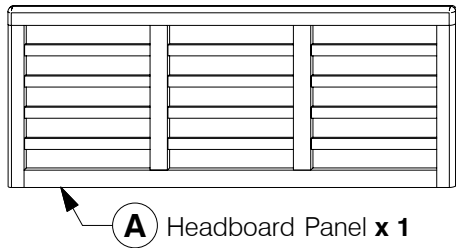


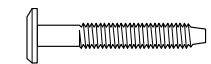
Full / Queen Headboard

Assembly Instructions

1 Parts List



2 Hardware List



1 M6 x 35mm JCB
x 4



2 Spring Washer
x 4



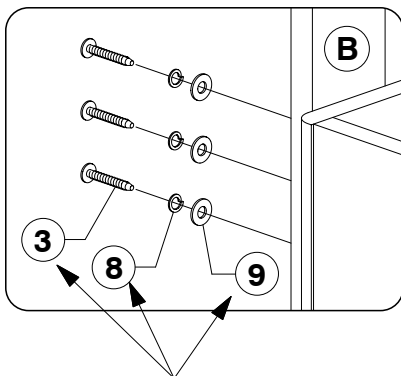
3 Flat Washer
x 4



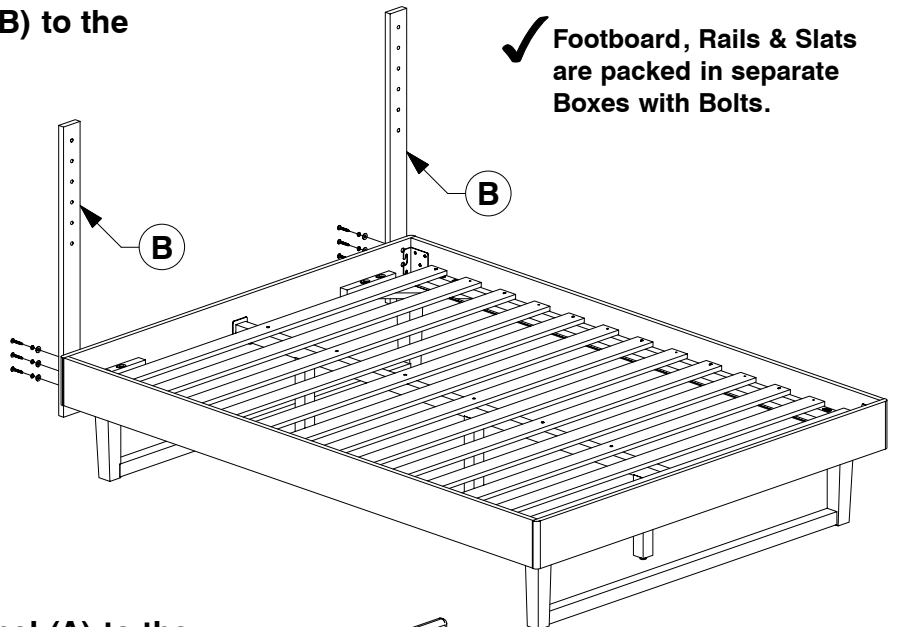
4 Allen Key
x 1

Note: Do not assemble using power tools. This can cause the bolts to be overtightened

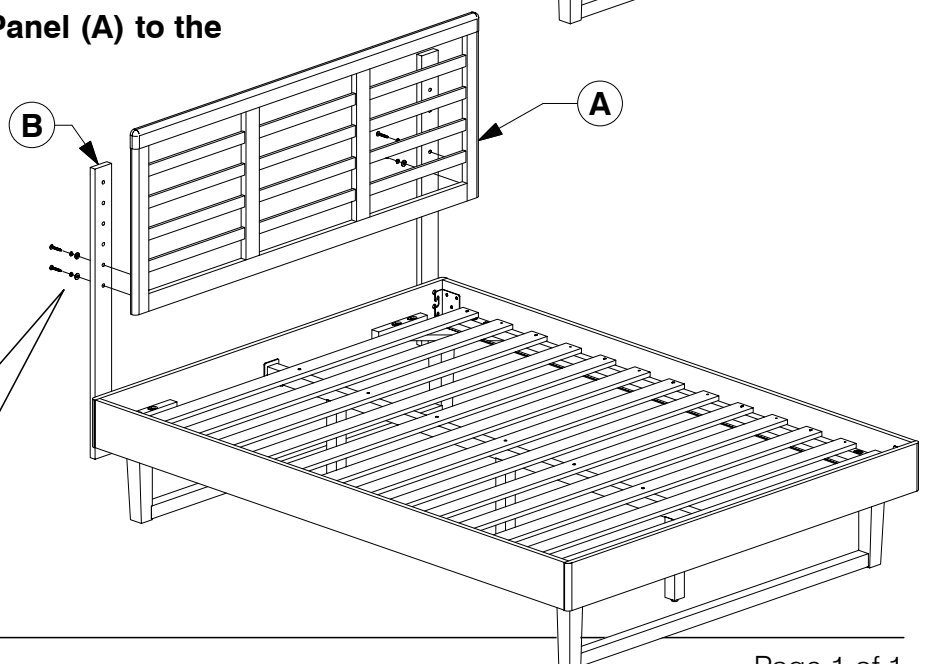
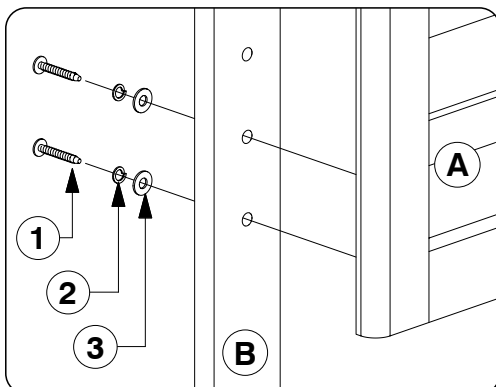
3 Assemble the Support Bars (B) to the Headboard Panel.



Note: Bolts & Washers from Footboard, Rails & Slats Box.



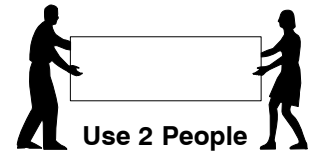
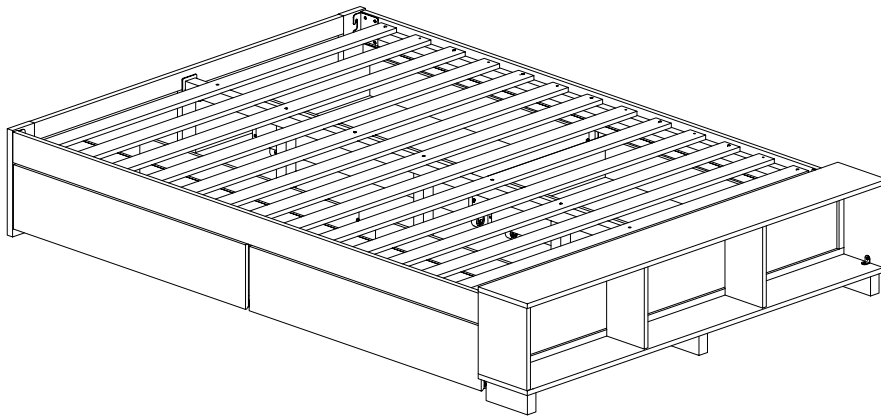
4 Assemble the Headboard Panel (A) to the Support Bars (B).



Full Bed

Assembly Instructions

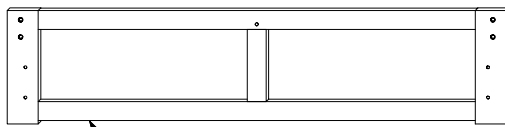
1 Assembled View



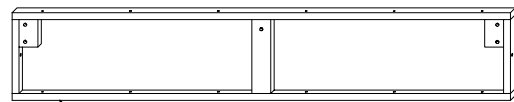
Note: Do not assemble using power tools. This can cause the bolts to be overtightened

2 Parts List

Parts in Box A:



A Headboard Panel x 1



C Footboard Frame x 1



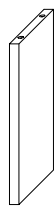
B Footboard Top Panel x 1



D Footboard Bottom Panel x 1



E Footboard Side Panel x 2



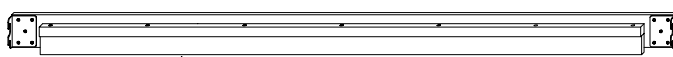
F Footboard Divider x 2



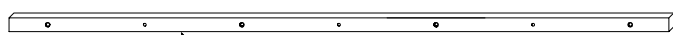
G Footboard Foot x 3



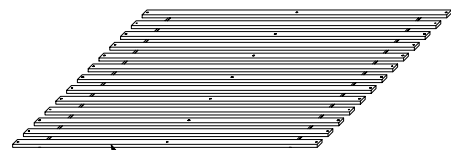
H Support Leg x 3



J Side Rail x 2



K Long Support x 1



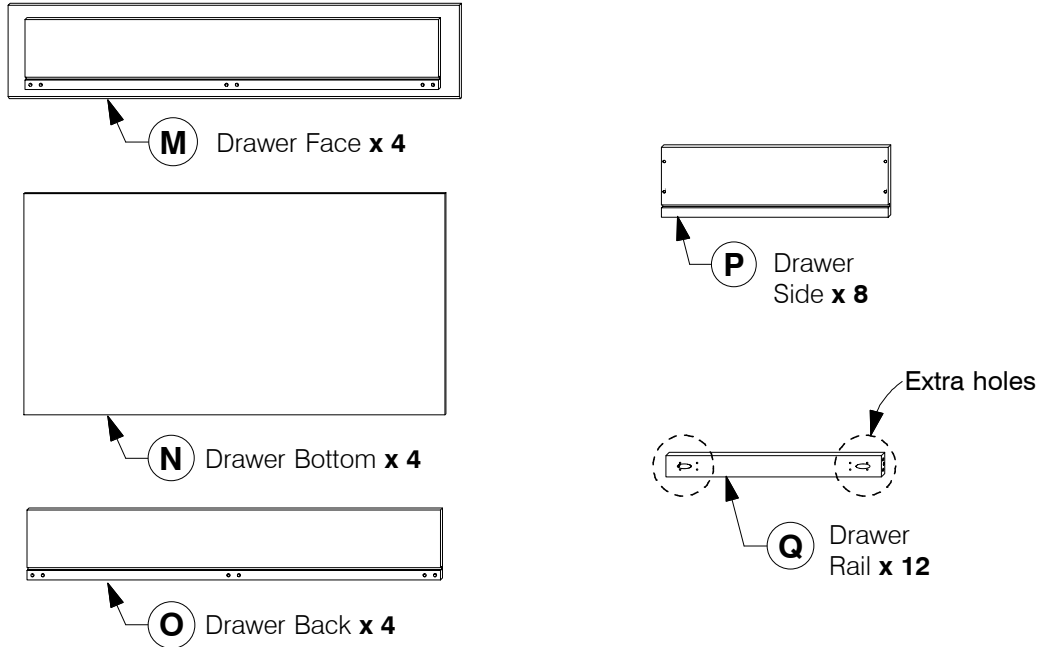
L Set of Bed Slats x 1

Full Bed

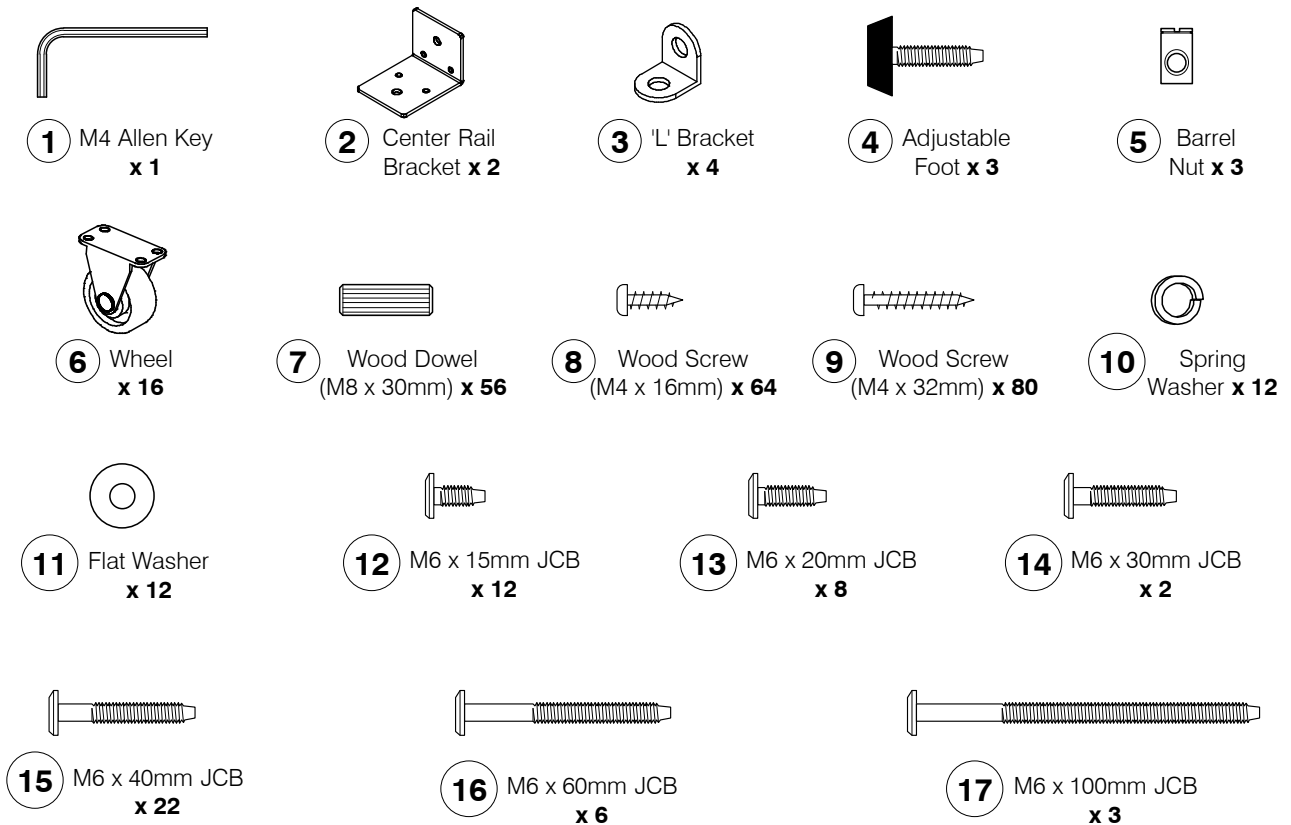
Assembly Instructions

2 Parts List

Parts in Box B:



3 Hardware List

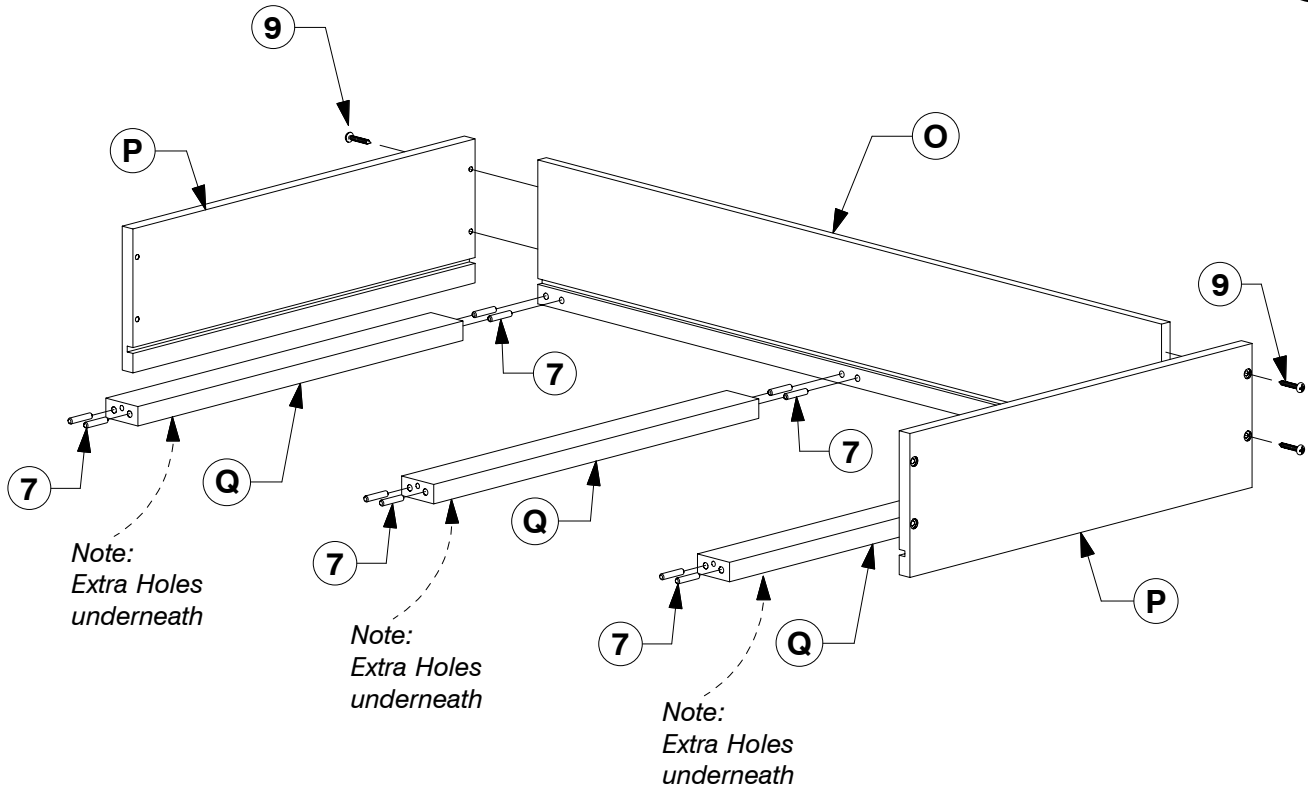


Full Bed

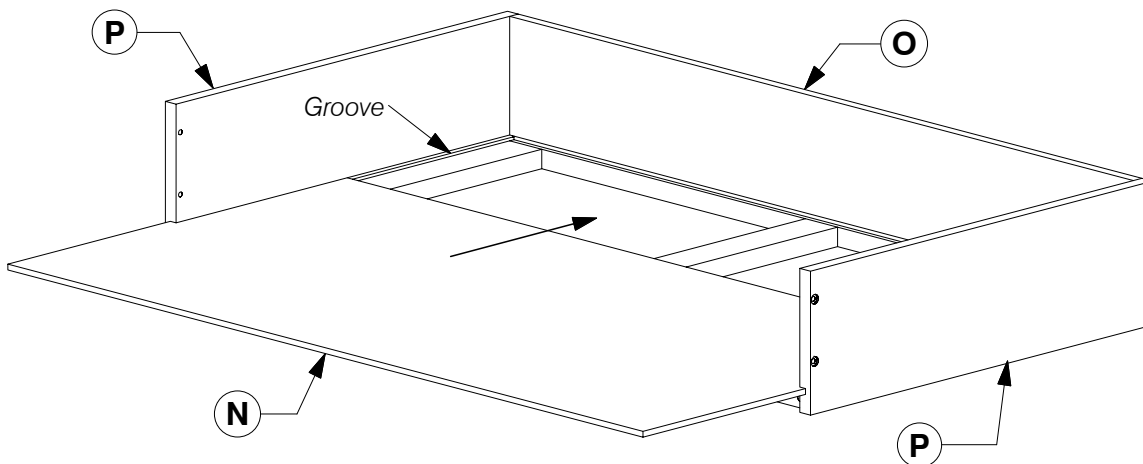
Assembly Instructions

- 4** Assemble the Drawer Side (P) and Drawer Rail (Q) to the Drawer Back (O).

x4



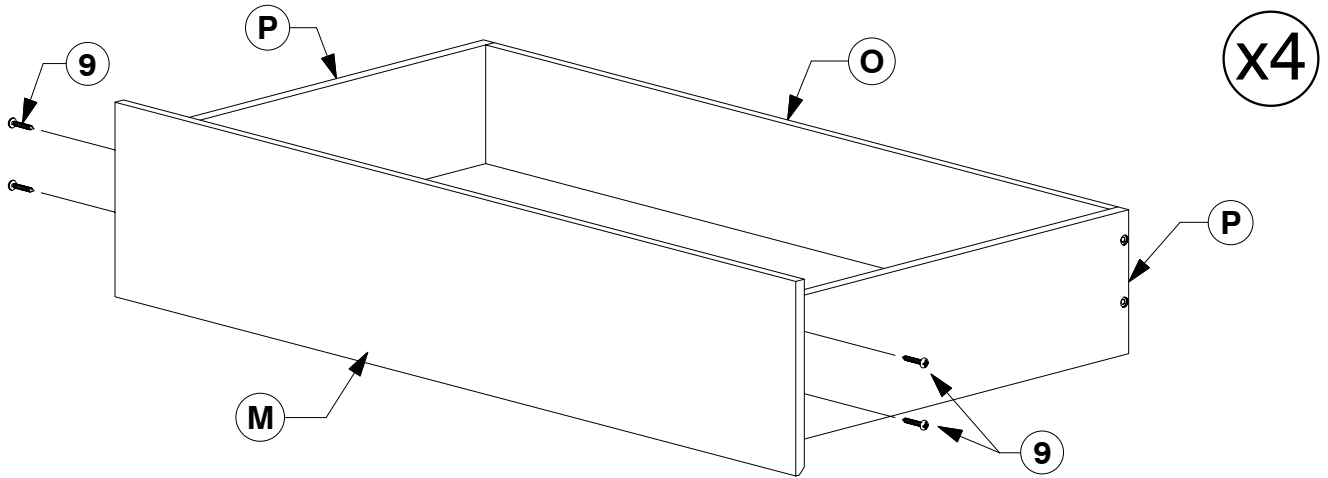
- 5** Slide the Drawer Bottom (N) into the groove on the Drawer Sides (P).



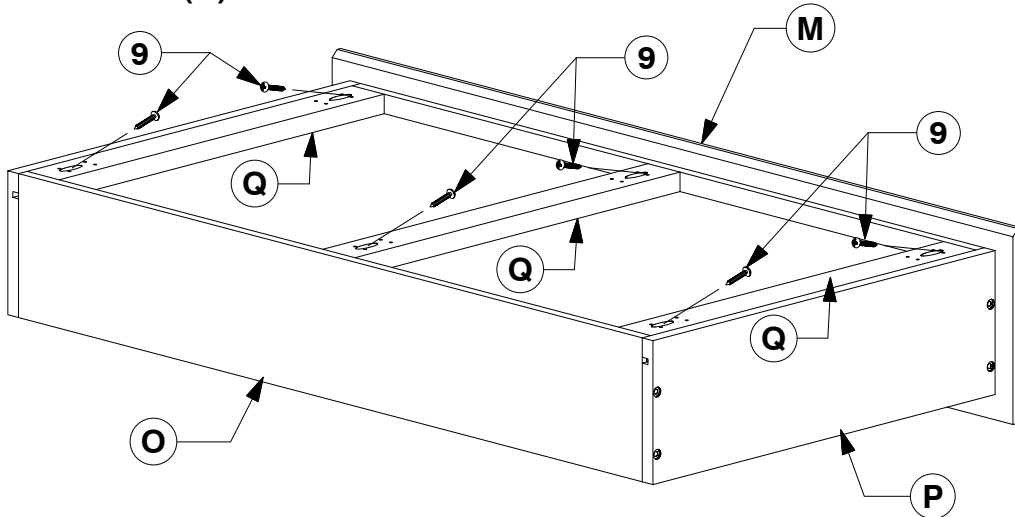
Full Bed

Assembly Instructions

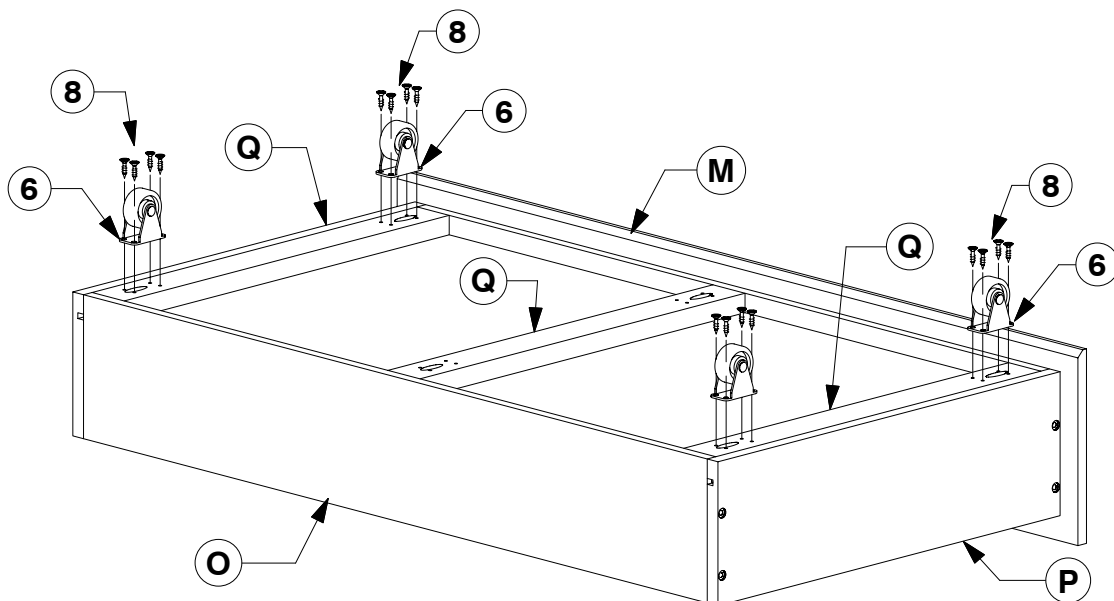
6 Assemble the Drawer Face (M) to the Drawer Sides (P).



7 Turn the Drawer over to fit angled 32mm Wood Screws (9) to the Drawer Rails (Q).



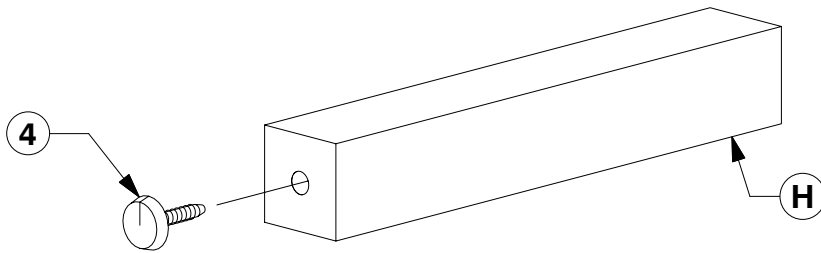
8 Fit the Wheels (6) to the Drawer Side Rail (Q).



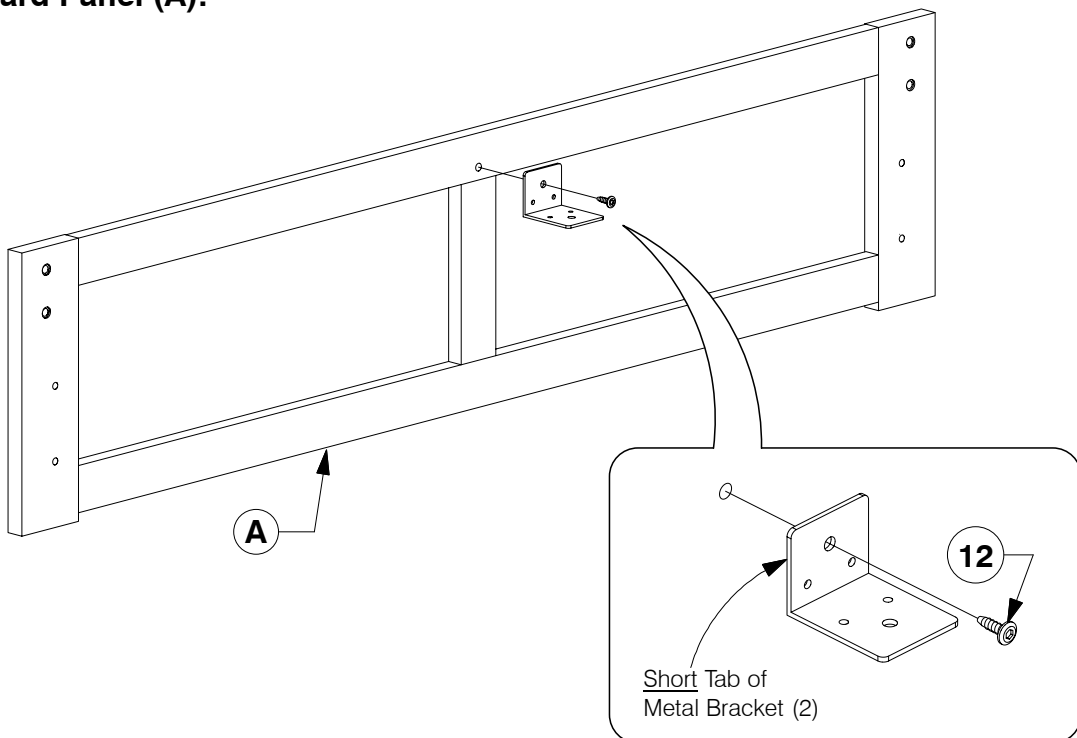
Full Bed

Assembly Instructions

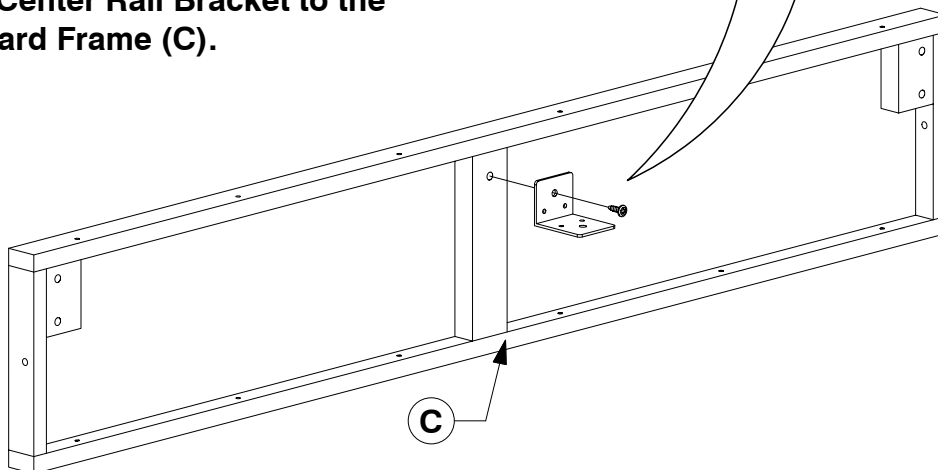
- 9** Fix the Adjustable foot to the bottom of the Support Leg (H).



- 10** Fit the Center Rail Bracket to the Headboard Panel (A).



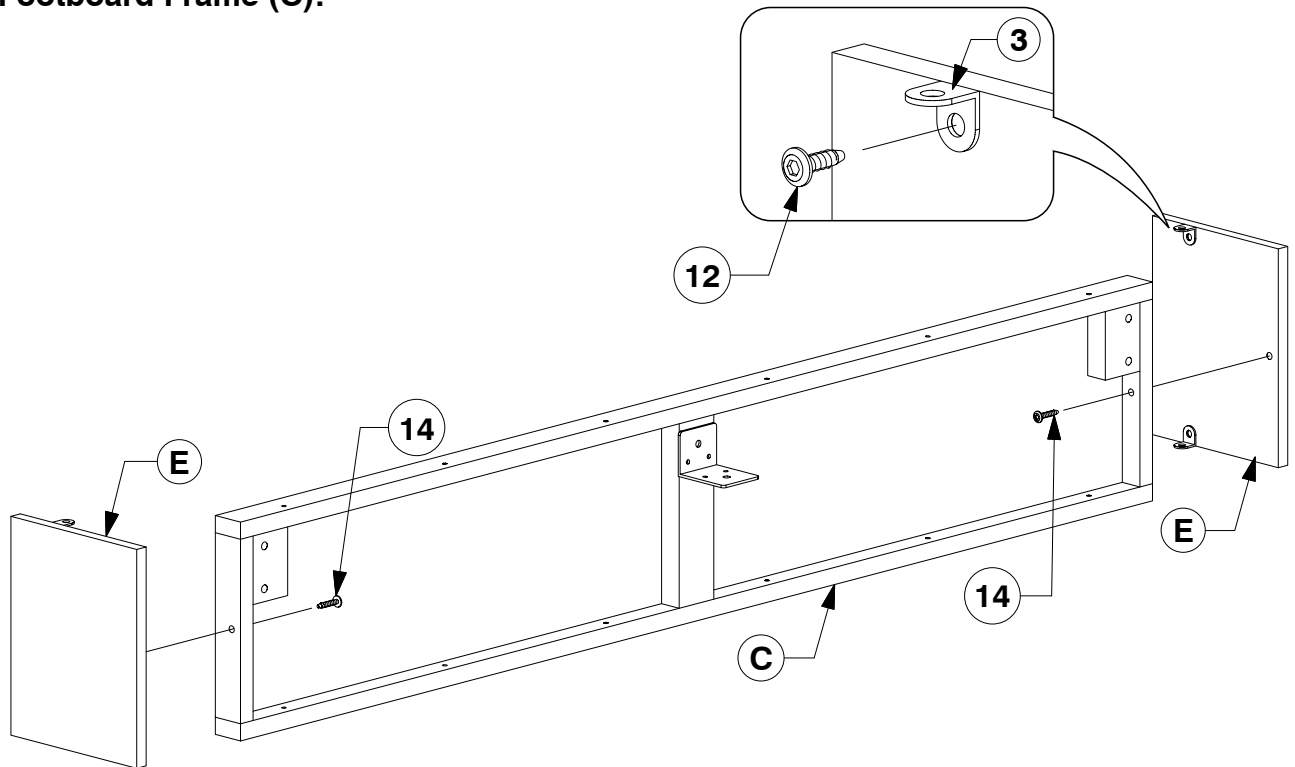
- 11** Fit the Center Rail Bracket to the Footboard Frame (C).



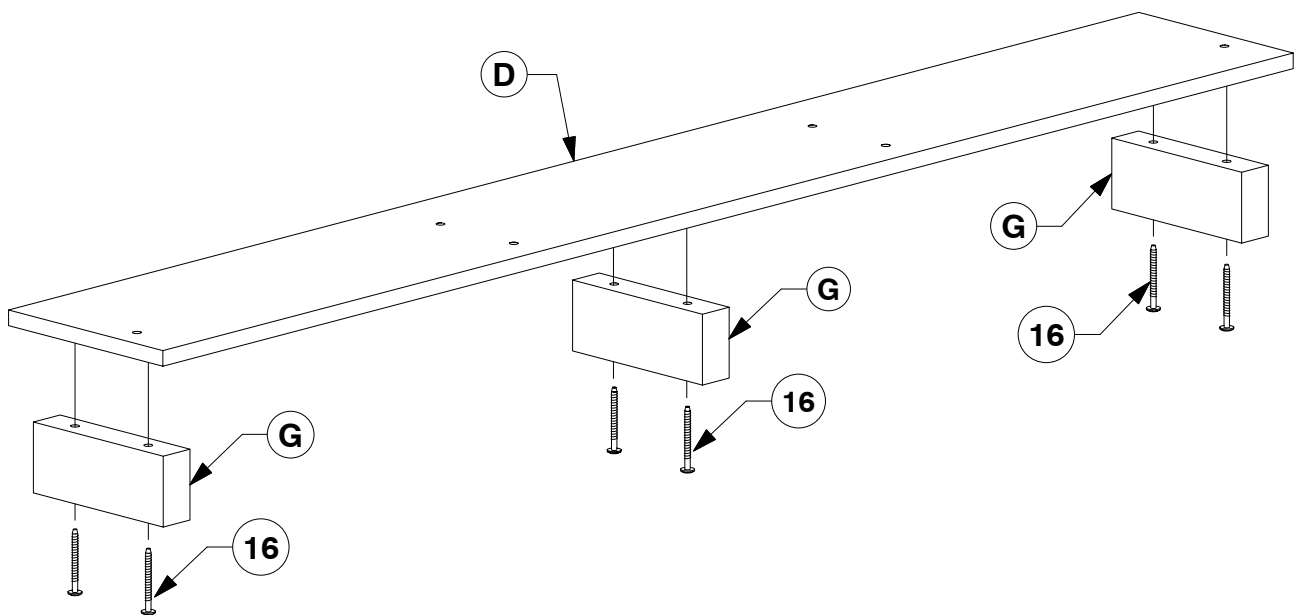
Full Bed

Assembly Instructions

- 12** Fit 'L' Bracket to the Footboard Side Panel (E).
Assemble the Footboard Side Panel (E) to the
Footboard Frame (C).



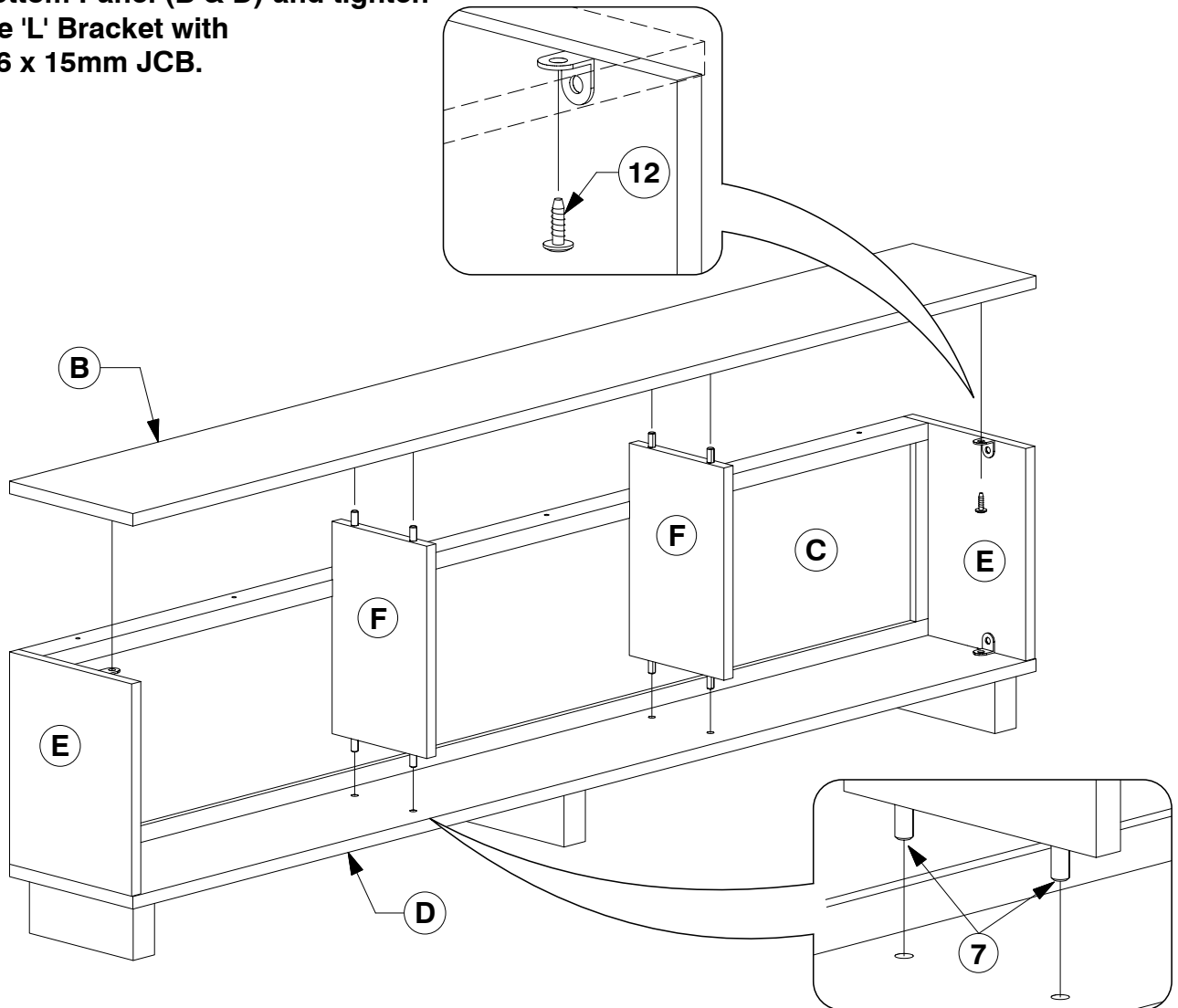
- 13** Fit the Footboard Foot (G) to the Footboard Bottom Panel (D).



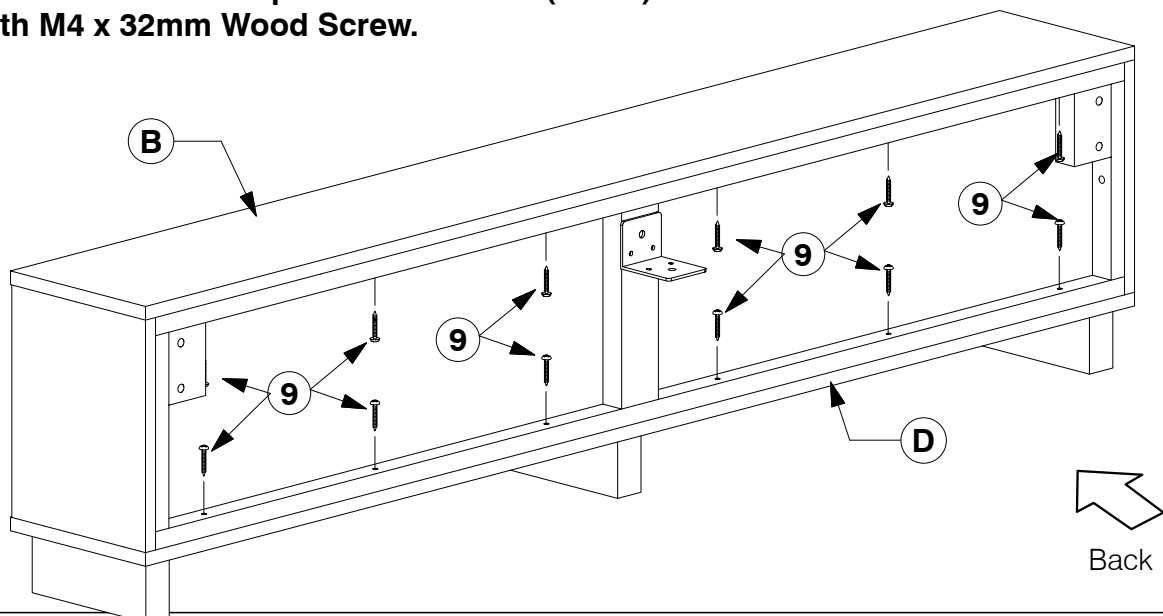
Full Bed

Assembly Instructions

- 14** Fit the Footboard Divider (F) to the Footboard Top & Bottom Panel (B & D) and tighten the 'L' Bracket with M6 x 15mm JCB.



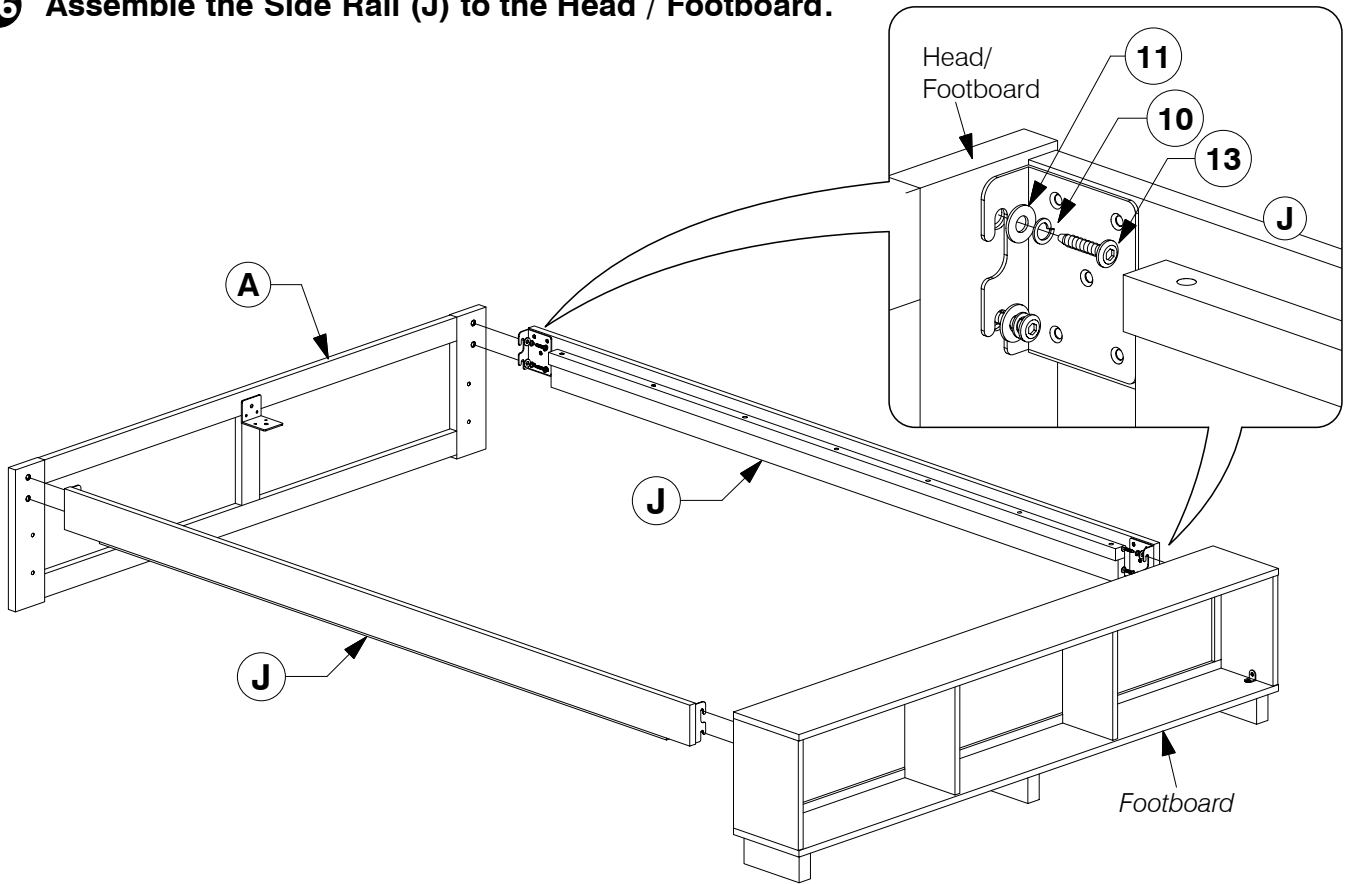
- 15** Fit the Footboard Top & Bottom Panel (B & D) with M4 x 32mm Wood Screw.



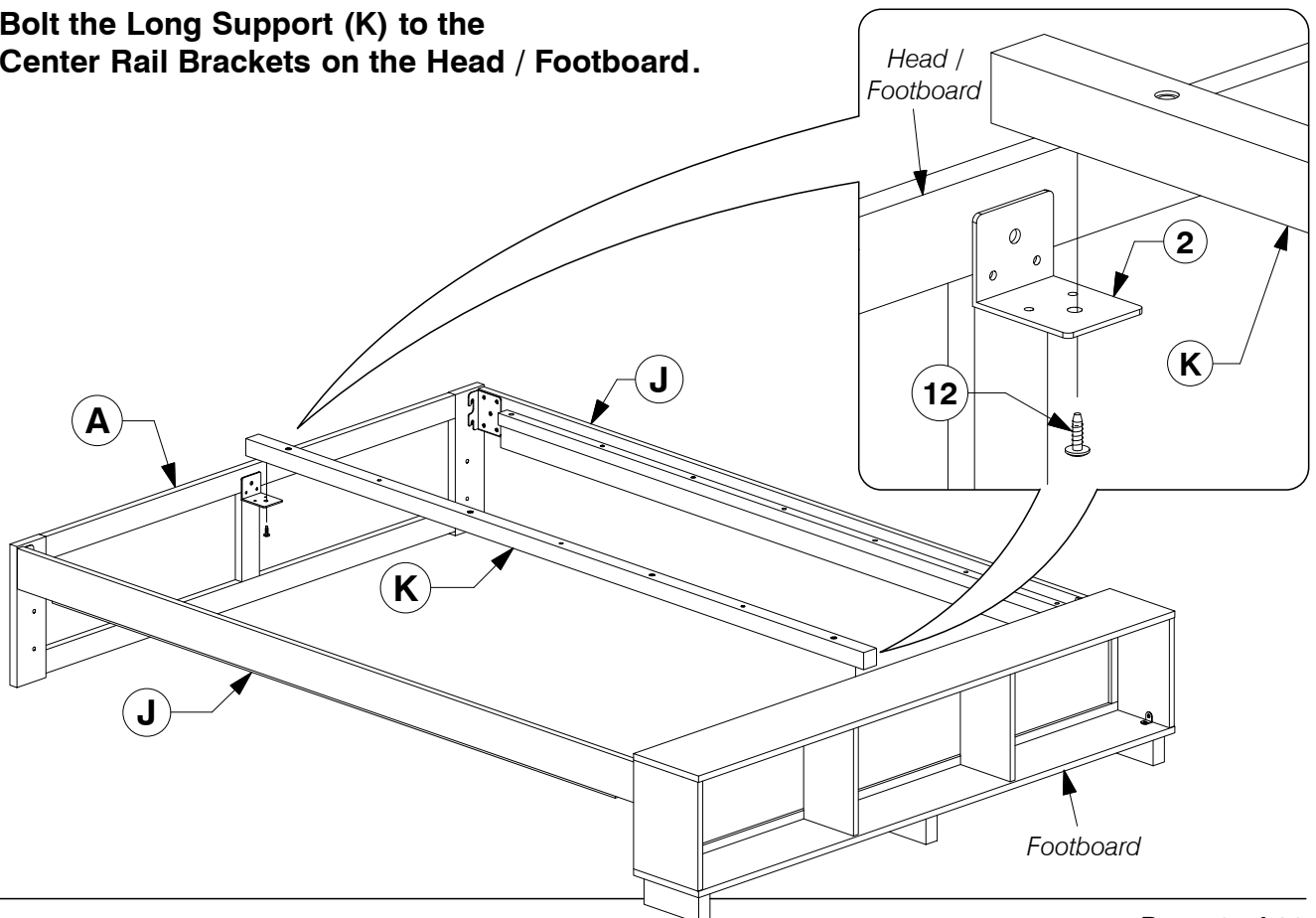
Full Bed

Assembly Instructions

16 Assemble the Side Rail (J) to the Head / Footboard.



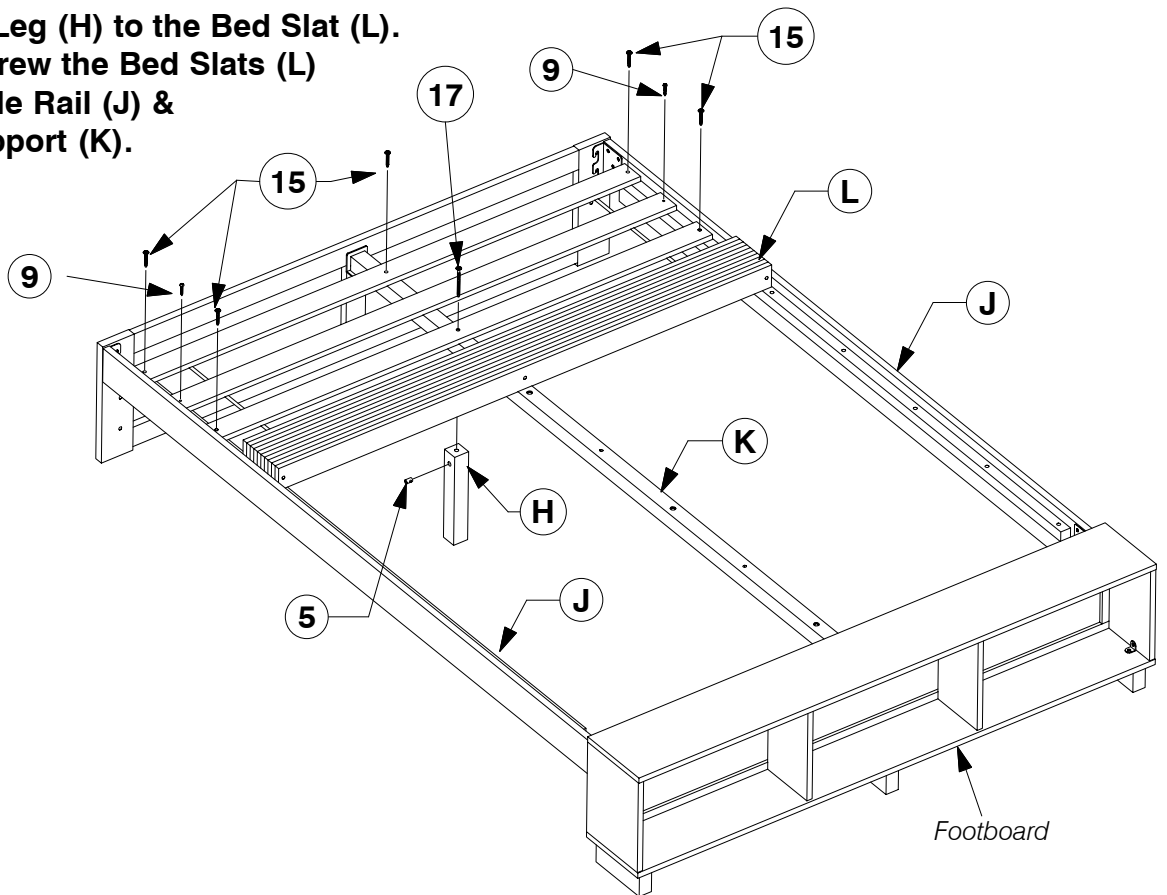
17 Bolt the Long Support (K) to the Center Rail Brackets on the Head / Footboard.



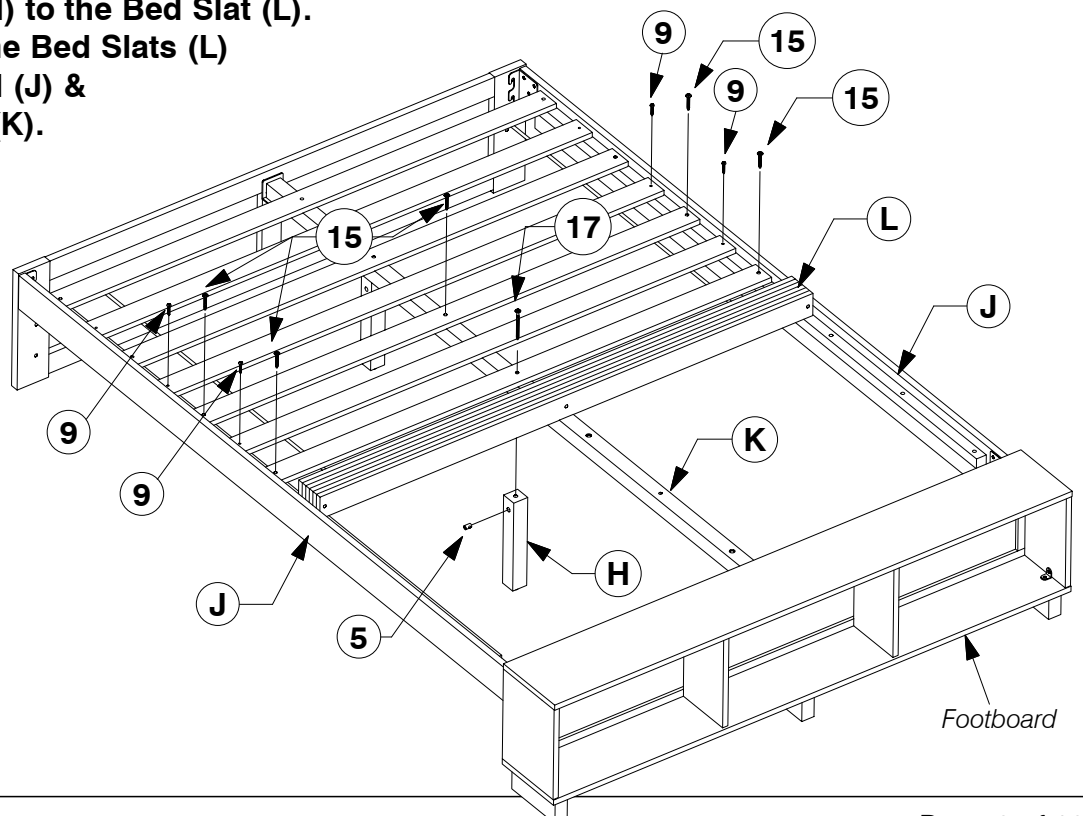
Full Bed

Assembly Instructions

- 18** Fit the first 3 Slats and assemble the Support Leg (H) to the Bed Slat (L). Bolt & screw the Bed Slats (L) to the Side Rail (J) & Long Support (K).



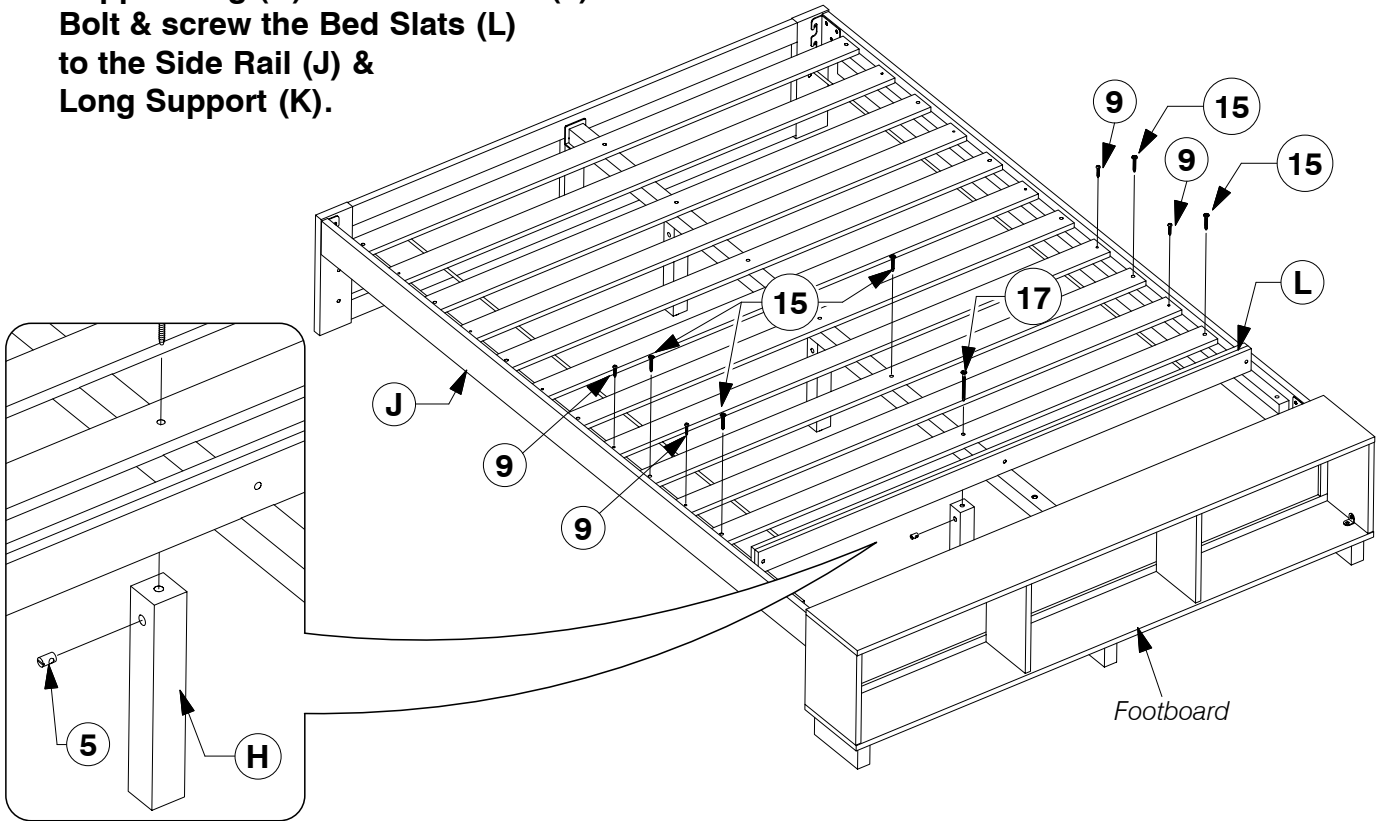
- 19** Fit the other Slats out and assemble the Support Leg (H) to the Bed Slat (L). Bolt & screw the Bed Slats (L) to the Side Rail (J) & Long Support (K).



Full Bed

Assembly Instructions

- 20** Fit the other Slats out and assemble the Support Leg (H) to the Bed Slat (L). Bolt & screw the Bed Slats (L) to the Side Rail (J) & Long Support (K).



- 21** Bolt & screw the remaining Bed Slats (L) to the Side Rail (J).

Finally fit the assembled Drawers.

