

# ASSEMBLY & INSTRUCTION

•Twin/ Twin XL .....

[CLICK HERE](#)

Size:75"L×39"W/ 80"L×39"W

•Full .....

[CLICK HERE](#)

Size:75"L×54"W

•Queen .....

[CLICK HERE](#)

Size: 80"L×60"W

•King .....

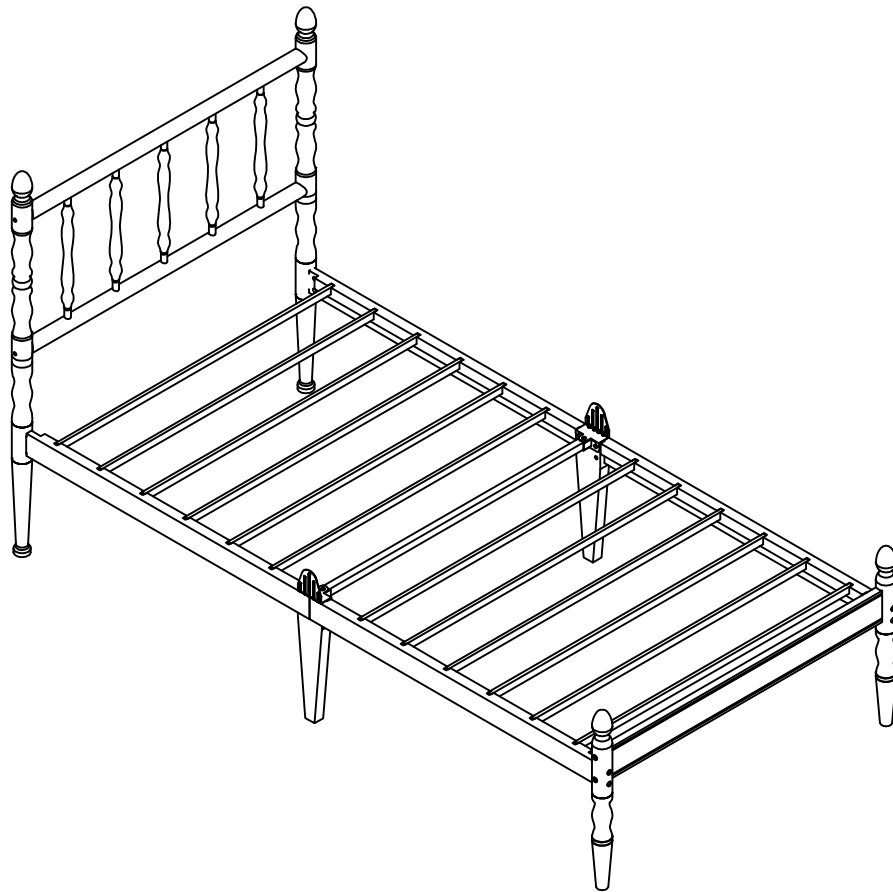
[CLICK HERE](#)

Size: 80"L×76"W

# ASSEMBLY INSTRUCTION

**SIZE: TWIN/TWIN XL(01/02)**

Notice: This instruction manual applies to twin/twin xl size.



## **Excellent Customer Service-Please Contact Us Before Return Our Product!**

All of our products have been tested before packed, but If any parts are missing or damaged, please contact us, we will reply to you ASAP. When replacing parts or hardware, please log in to your account and message the seller. It will better to include applicable photos or provide the part number and quantity.

# PLEASE READ BEFORE ASSEMBLY

## Read Before Beginning Assembly

- 1. Clearing a area:** Please assemble in a spacious area near the product's final location, preferably on a carpet or protected surface to safeguard both your floor and the product.
- 2. Recommend team assembling:** It is recommended that at least 2 people assemble this product. Having an extra hand can make the process faster easier.
- 3. Check for all parts:** Most parts are labeled or stamped on the raw edge. Ensure all parts are included before starting.
- 4. Read each step carefully:** Follow the assembly steps in the correct order. Skipping steps or changing the sequence can lead to difficulties.
- 5. Tighten after complete:** Do not fully tighten any bolts before the entire assembly is completed. Final tightening all together ensures greater stability.
- 6. You can contact us:** If you encounter any questions or difficulties during installation, please contact us through marketplace.

## Caution

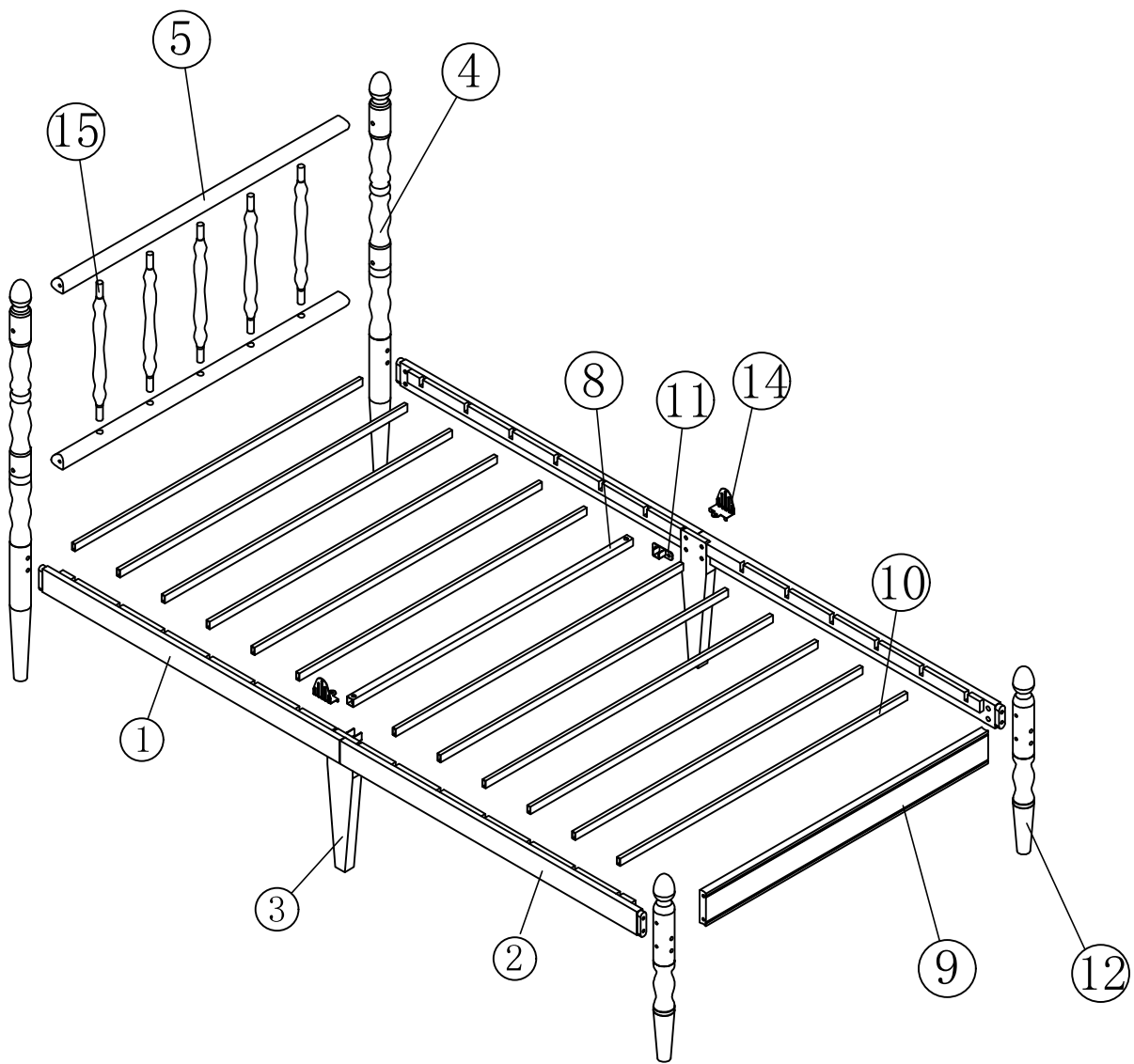
- 1. Choking hazard:** This product contains small parts. Keep out of reach of children.
- 2. Use power tools with caution:** Overloading or improper operation of power tools can strip or damage parts and void the warranty.

## Warranty Information

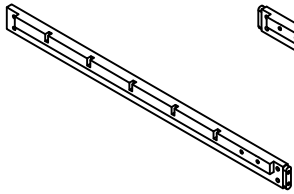
- 1.** This product is warranted against defects in materials and manufacture for 3 years from the purchase date (proof of purchase required).
- 2.** Warranty covers defective parts only. Assembly labor not included.
- 3.** Not valid for misuse, improper assembly, alterations, or unauthorized repairs. No liability for consequential damages where permitted by law.

# Parts & Hardware

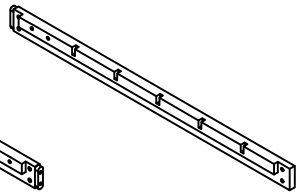
1. This page lists all the items included in this package. Please identify the hardware and individual components before beginning assembly.
2. This model includes only the parts numbered above. Skipped numbers indicate that the part is not used on this model.



# Parts & Hardware



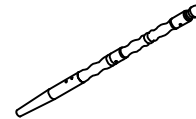
① Left Side Rail  
2PCS



② Right Side Rail  
2PCS



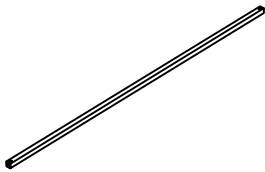
③ Middle Support Leg  
2PCS



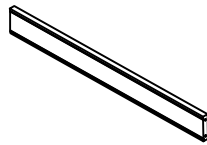
④ Bedposts  
2PCS



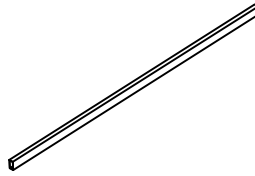
⑤ Headboard Panel-A  
2PCS



⑧ Center Support Bar  
1PCS



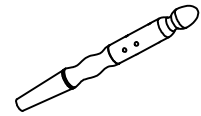
⑨ Footboard  
1PCS



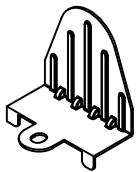
⑩ Slat  
12PCS



⑪ Connector-A  
2PCS



⑫ Foot of Bed  
2PCS



⑭ Mattress Gasket  
2PCS



⑮ Headboard  
5PCS



A×10PCS  
M8\*27  
+1(spare)



B×4PCS  
M6\*56  
+1(spare)



C×12PCS  
M6\*78  
+1(spare)



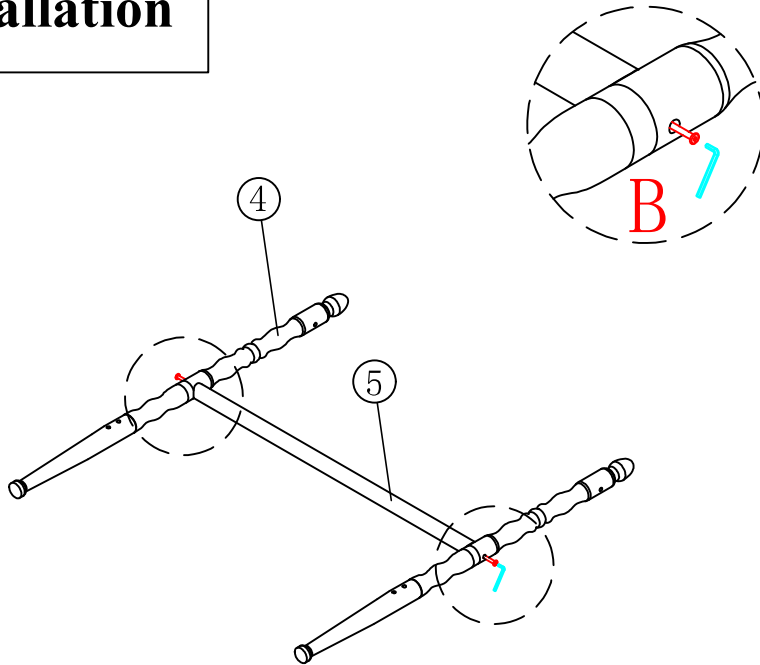
F×4PCS  
M8  
+1(spare)



H×12PCS  
+1(spare)



# Installation



**B**×2PCS  
M6\*56

## Step 1

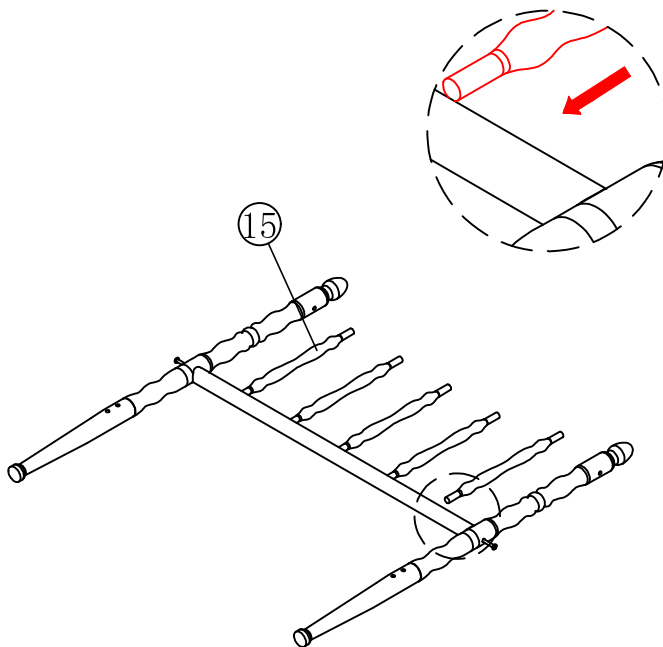
### Assemble of Side Rails

- Attach headboard panel-A ⑤ to the bedposts ④ using four bolts (B);
- Important: Only hand-tighten the bolts at this stage - do not fully tighten.
- 

## Step 2

### Assemble the Bed Frame

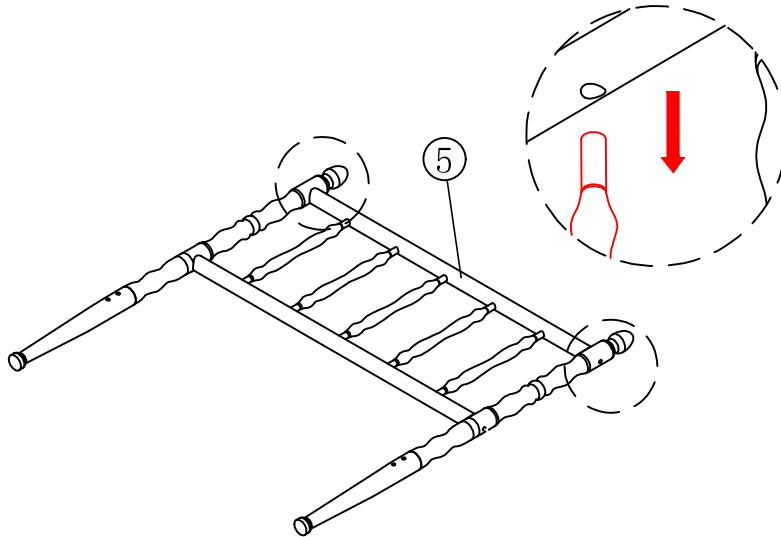
- Take each headboard ⑮ and insert them one at a time;
- Slide each slat into the pre-drilled holes on the headboard beams.



## Step 3

### Assemble of Side Rails

- Take the remaining headboard panel-A ⑤;
- Line them up with the corresponding slots on the backboard from Step 2
- Slide each beam down firmly.

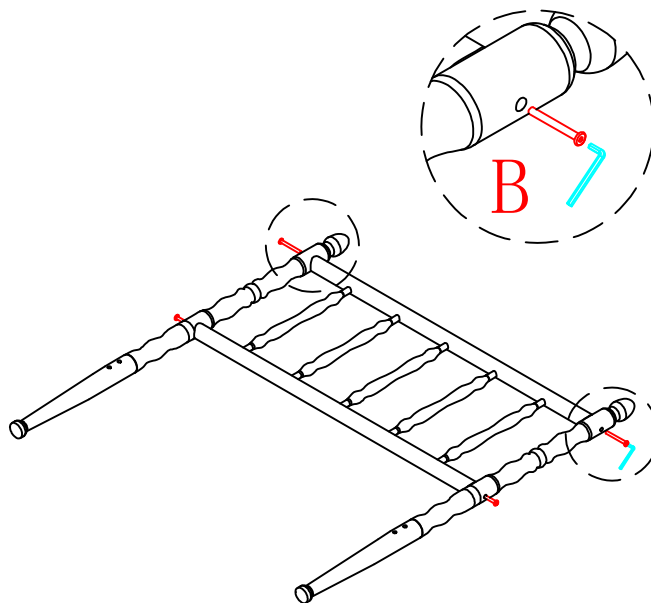


**Note:** Follow the direction indicated by the red arrow in the detailed view for proper installation. ① It should be placed in the two screw holes above ③.

## Step 4

### Assemble the Bed Frame

- Fully tighten the bolts (B) that were installed in Step 3
- Secure the remaining bolts (B) from Step 1.

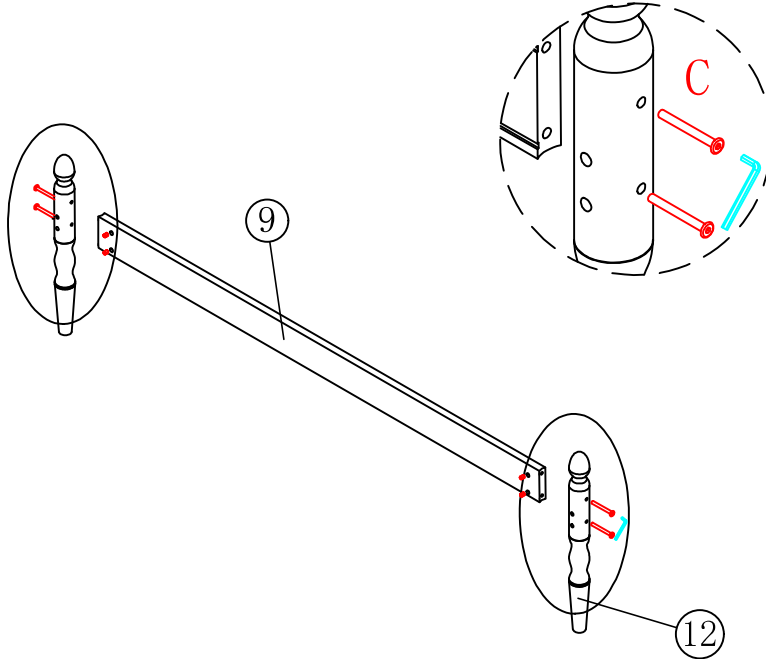


**B**×2PCS  
M6\*56

## Step 5

### Footboard Assembly

- Position the footboard ⑨ between the foot of bed ⑫.
- Insert the four bolts (H) through the pre-drilled holes.
- Hand-tighten all bolts first to ensure proper alignment.
- After alignment, use an appropriate tool to completely tighten all the bolts (C).



C×4PCS  
M6\*78

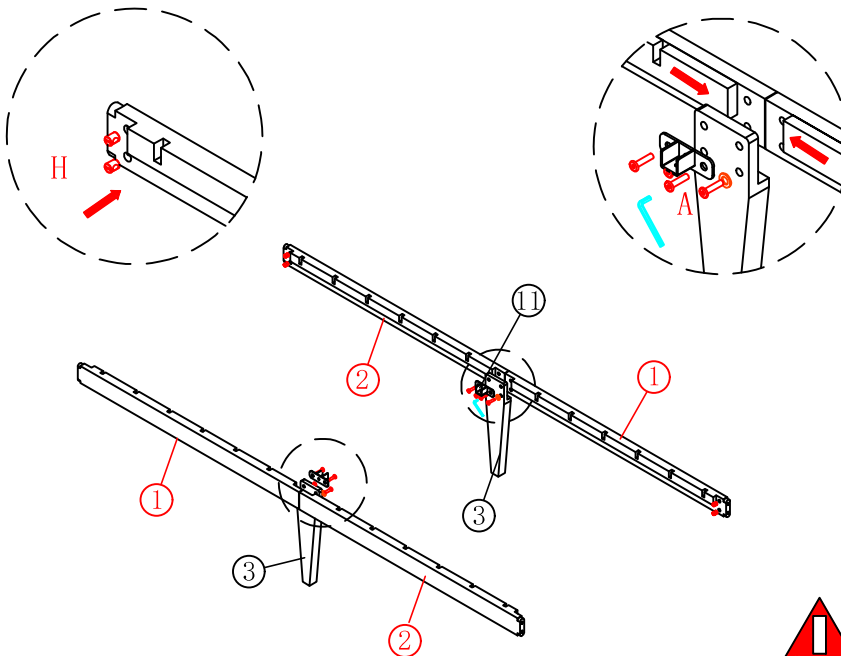


H×4PCS

## Step 6

### Assemble of Side Rails

- Connect the left side rails ①, left side rails ② and middle support leg ③ using connectors-A ⑪ and eight bolts (A) and four washer (F). The washers should be installed to the bottom holes.
- Insert the nut (H) into the edge part of the side rail.



A×8PCS  
M8\*27



H×8PCS



F×4PCS

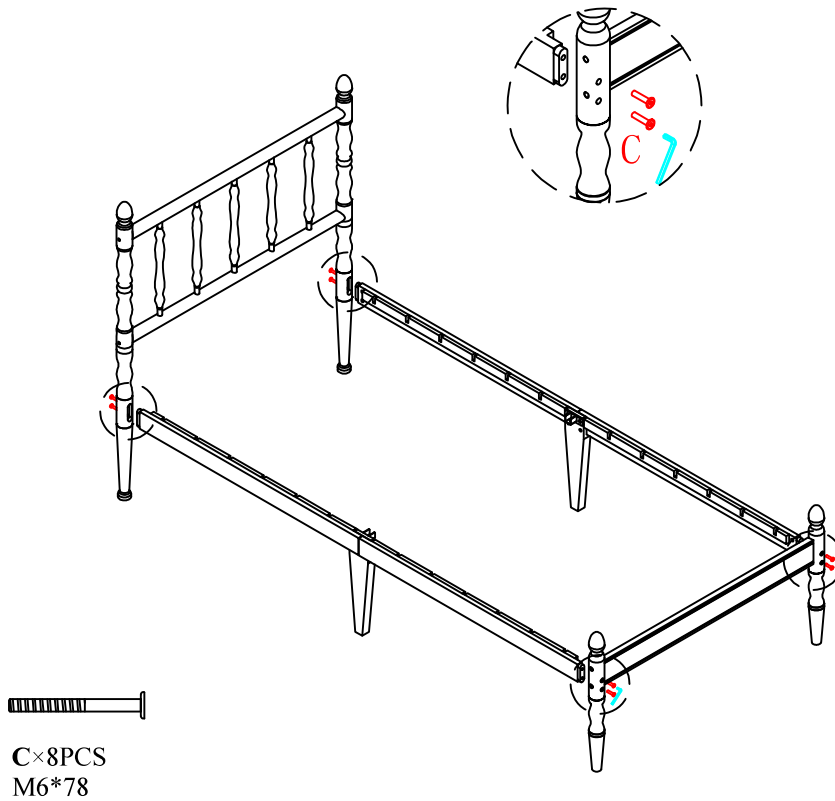


**Note:** Follow the direction indicated by the red arrow in the detailed view for proper installation. ⑪ It should be placed in the two screw holes above ③.

## Step 7

### Assemble the Bed Frame

- Align the mounting brackets on the side rails with the corresponding holes on both the headboard and side bracket.
- After all the bolts are in place, use the included hexagonal wrench to tighten bolts (C).

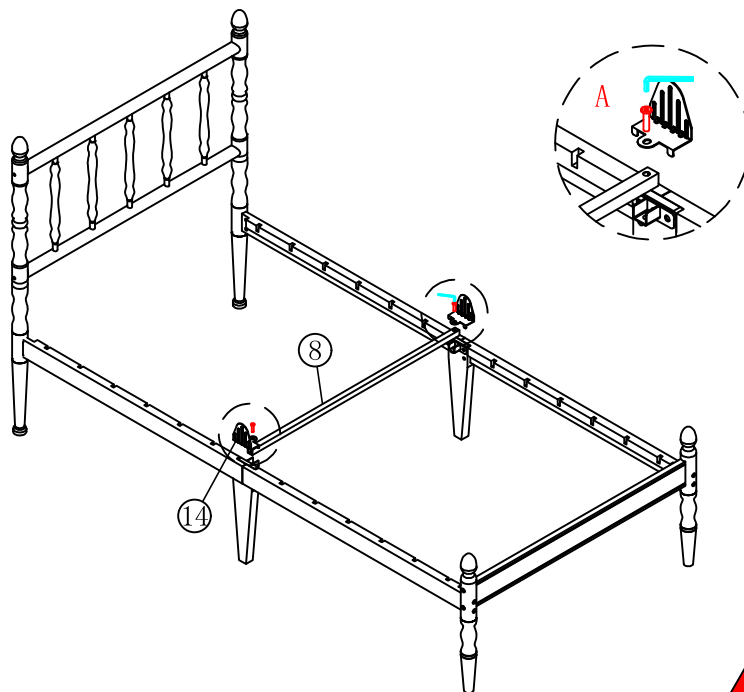


C×8PCS  
M6\*78

## Step 8

### Install the Center Support Bar

- Use bolts (A) to lock the center support bar ⑧ onto the center support rail .
- At the center, mattress gasket ⑭ can be optionally installed.
- After installation is completed, tighten all the bolts.



A×2PCS  
M8\*27

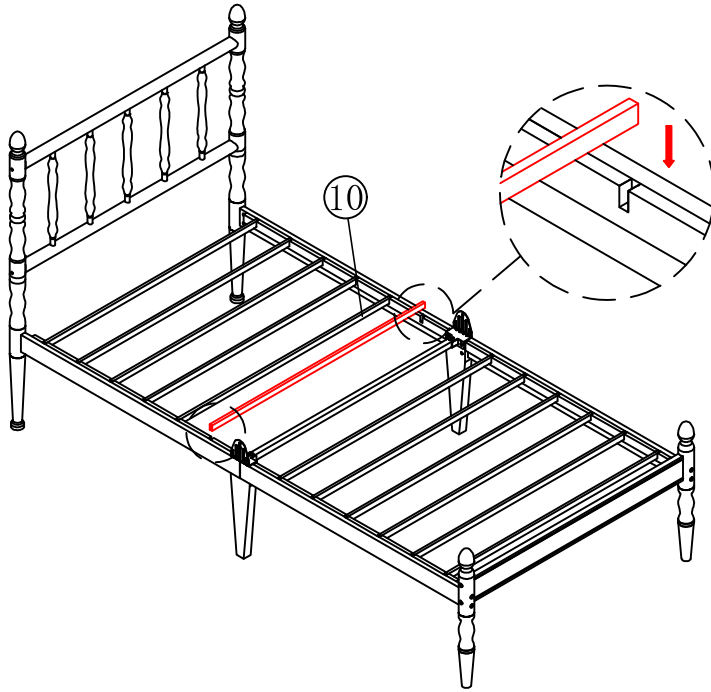


**Note:** Ensure all connections are properly aligned before final tightening. This step is crucial for the bed's stability.

## Step 8

### Install the Bed Slats

- Place all bed slats ⑩ across the side rails.



**Note:** Before completing assembly, double-check that all screws and components are fully tightened.

# IMPORTANT INFORMATION

## Warning

- 1. Age Restriction:** The bed is not designed for children under 4 years old.
- 2. For your safety:** Jumping, rough play, or other vigorous activities on the bed are not recommended as they may cause injury or damage to the bed frame.
- 3. Weight Limit:** The maximum combined weight on the bed should not exceed 1000 lbs. This includes the weight of the bed itself, mattresses, bedding, and people.
- 4. Do not drag or push the bed frame:** Always use two people to lift and reposition the bed frame to avoid damage to the frame or the floor.

## Cleaning & Care

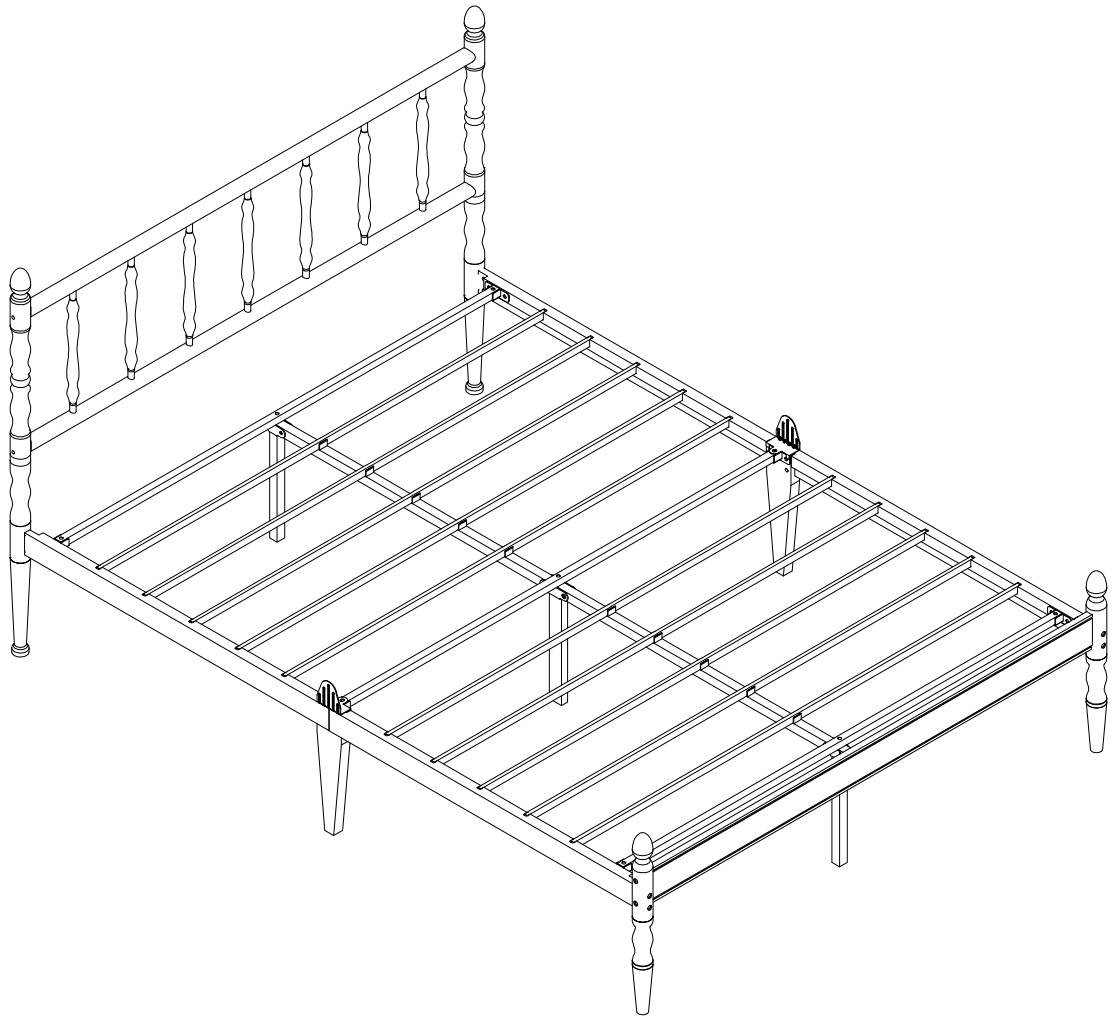
- 1. Cleaning method:** Use a dry or slightly damp soft cloth for cleaning. Avoid abrasive cleaners, which can damage the finish.
- 2. Hardware maintenance:** Over time, hardware can loosen. Regularly check and tighten all connections to maintain the bed's stability and prevent damage.

**Please keep these instructions for future reference!**

# ASSEMBLY INSTRUCTION

**SIZE: FULL(03)**

Notice: This instruction manual applies to full size.



## **Excellent Customer Service-Please Contact Us Before Return Our Product!**

All of our products have been tested before packed, but If any parts are missing or damaged, please contact us, we will reply to you ASAP. When replacing parts or hardware, please log in to your account and message the seller. It will better to include applicable photos or provide the part number and quantity.

# PLEASE READ BEFORE ASSEMBLY

## Read Before Beginning Assembly

- 1. Clearing a area:** Please assemble in a spacious area near the product's final location, preferably on a carpet or protected surface to safeguard both your floor and the product.
- 2. Recommend team assembling:** It is recommended that at least 2 people assemble this product. Having an extra hand can make the process faster easier.
- 3. Check for all parts:** Most parts are labeled or stamped on the raw edge. Ensure all parts are included before starting.
- 4. Read each step carefully:** Follow the assembly steps in the correct order. Skipping steps or changing the sequence can lead to difficulties.
- 5. Tighten after complete:** Do not fully tighten any bolts before the entire assembly is completed. Final tightening all together ensures greater stability.
- 6. You can contact us:** If you encounter any questions or difficulties during installation, please contact us through marketplace.

## Caution

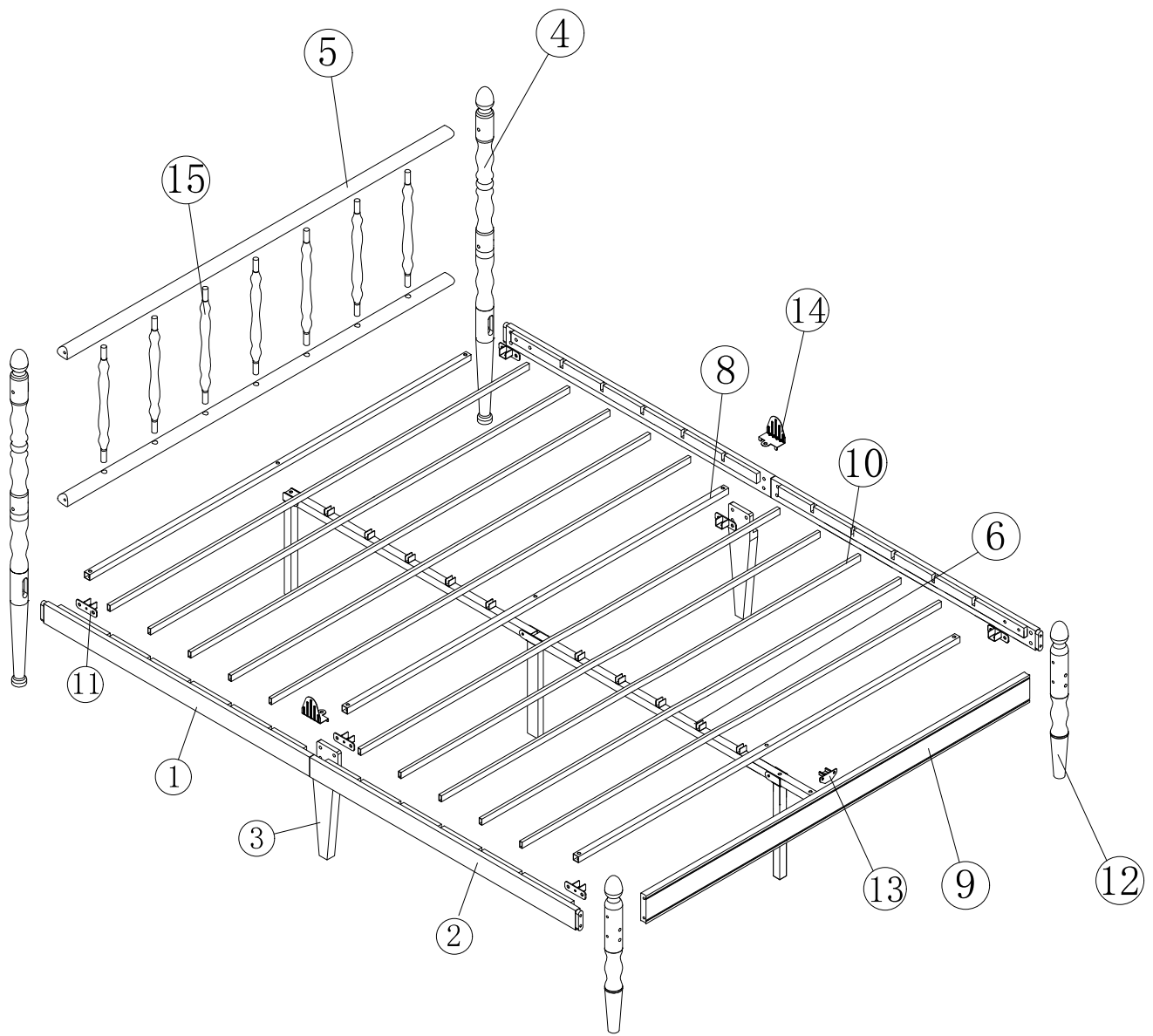
- 1. Choking hazard:** This product contains small parts. Keep out of reach of children.
- 2. Use power tools with caution:** Overloading or improper operation of power tools can strip or damage parts and void the warranty.

## Warranty Information

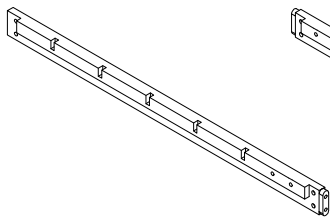
- 1.** This product is warranted against defects in materials and manufacture for 3 years from the purchase date (proof of purchase required).
- 2.** Warranty covers defective parts only. Assembly labor not included.
- 3.** Not valid for misuse, improper assembly, alterations, or unauthorized repairs. No liability for consequential damages where permitted by law.

# Parts & Hardware

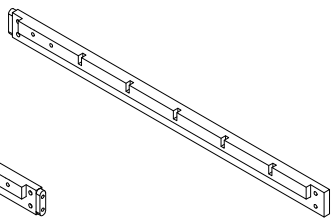
1. This page lists all the items included in this package. Please identify the hardware and individual components before beginning assembly.
2. This model includes only the parts numbered above. Skipped numbers indicate that the part is not used on this model.



# Parts & Hardware



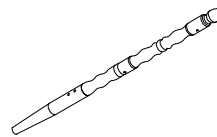
① Left Side Rail  
2PCS



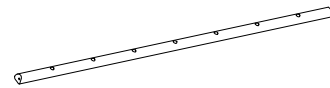
② Right Side Rail  
2PCS



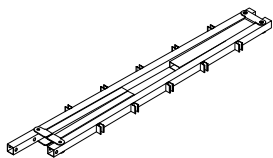
③ Middle Support Leg  
2PCS



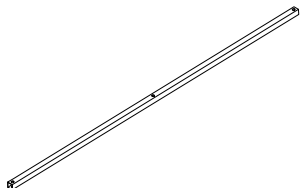
④ Bedposts  
2PCS



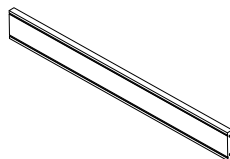
⑤ Headboard Panel-A  
2PCS



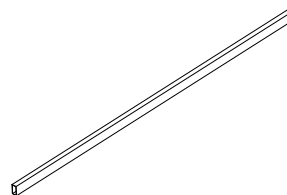
⑥ Center Support Rail  
1PCS



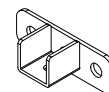
⑧ Center Support Bar  
3PCS



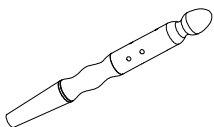
⑨ Footboard  
1PCS



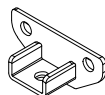
⑩ Slat  
10PCS



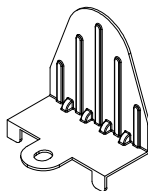
⑪ Connector-A  
6PCS



⑫ Foot of Bed  
2PCS



⑬ Connector-B  
1PCS



⑭ Mattress Gasket  
2PCS



⑮ Headboard  
7PCS



**A**×14PCS  
M8\*27  
+1(spare)



**B**×4PCS  
M6\*56  
+1(spare)



**C**×12PCS  
M6\*78  
+1(spare)



**D**×3PCS  
M8\*53  
+1(spare)



**E**×10PCS  
M8\*14  
+1(spare)



**F**×4PCS  
M8  
+1(spare)



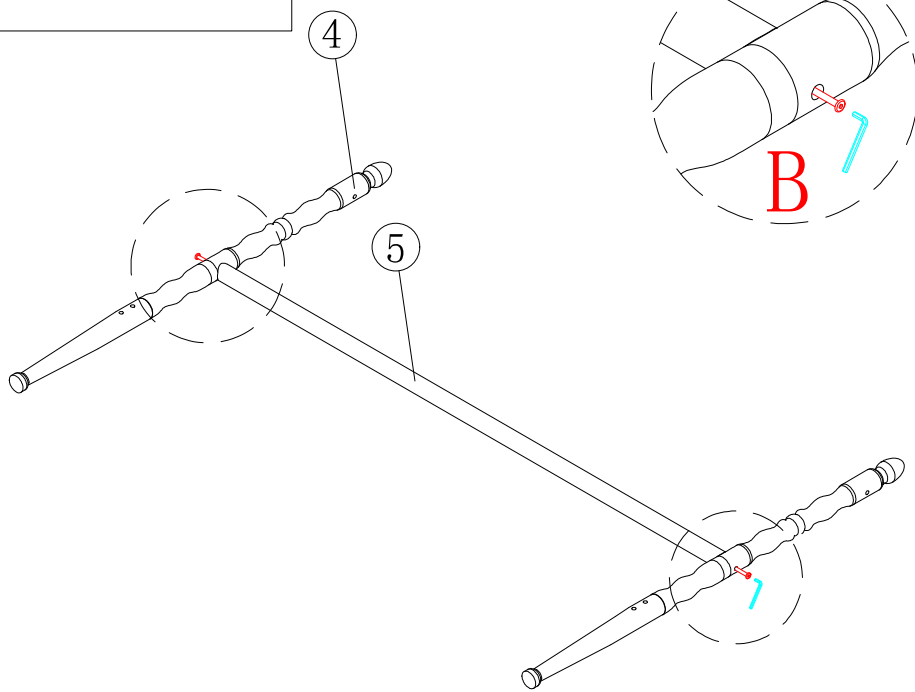
**G**×1PCS  
M8\*36



**H**×12PCS  
+1(spare)



# Installation

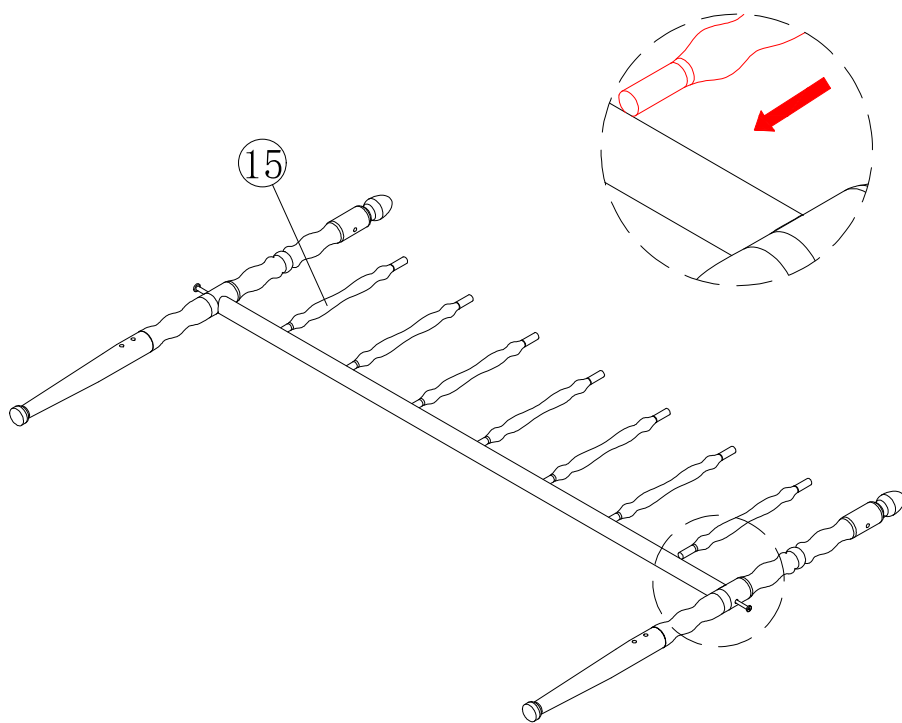


B×2PCS  
M6\*56

## Step 1

### Assemble of Side Rails

- Attach headboard panel-A ⑤ to the bedposts ④ using four bolts (B);
- Important: Only hand-tighten the bolts at this stage - do not fully tighten.



## Step 2

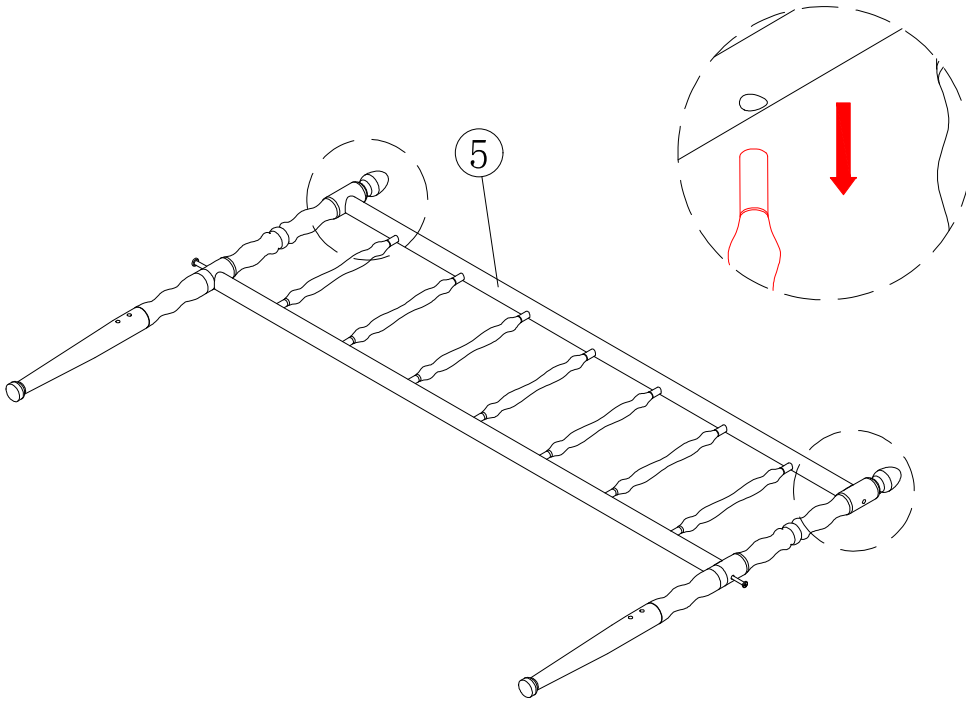
### Assemble the Bed Frame

- Take each headboard slat ⑮ and insert them one at a time;
- Slide each slat into the pre-drilled holes on the headboard beams.

# Step 3

## Assemble of Side Rails

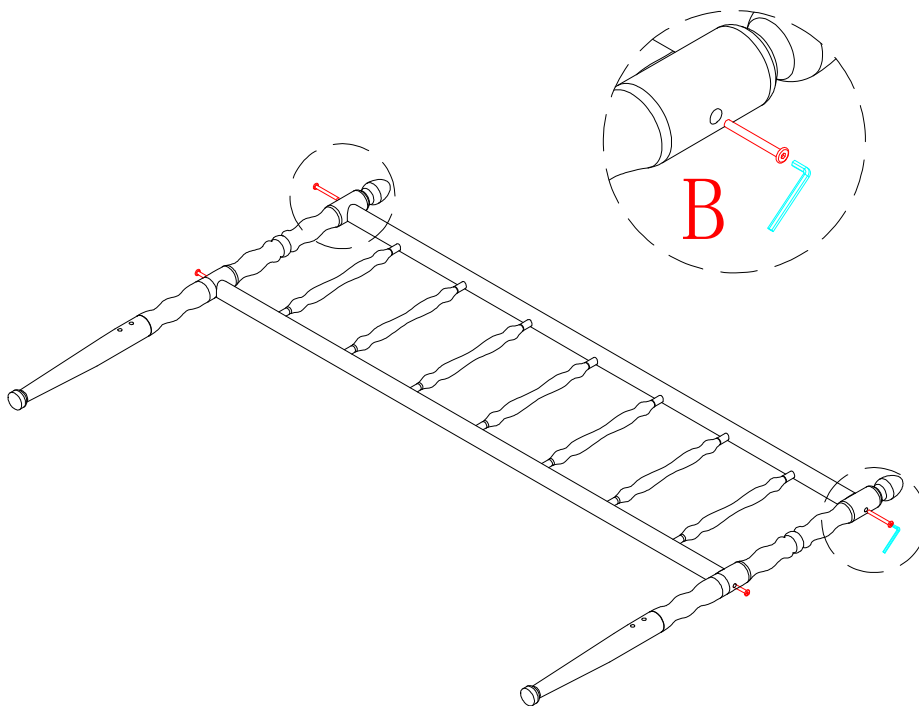
- Take the remaining headboard panel-A ⑤;
- Line them up with the corresponding slots on the backboard from Step 2
- Slide each beam down firmly.



# Step 4

## Assemble the Bed Frame

- Fully tighten the bolts (B) that were installed in Step 3
- Secure the remaining bolts (B) from Step 1.

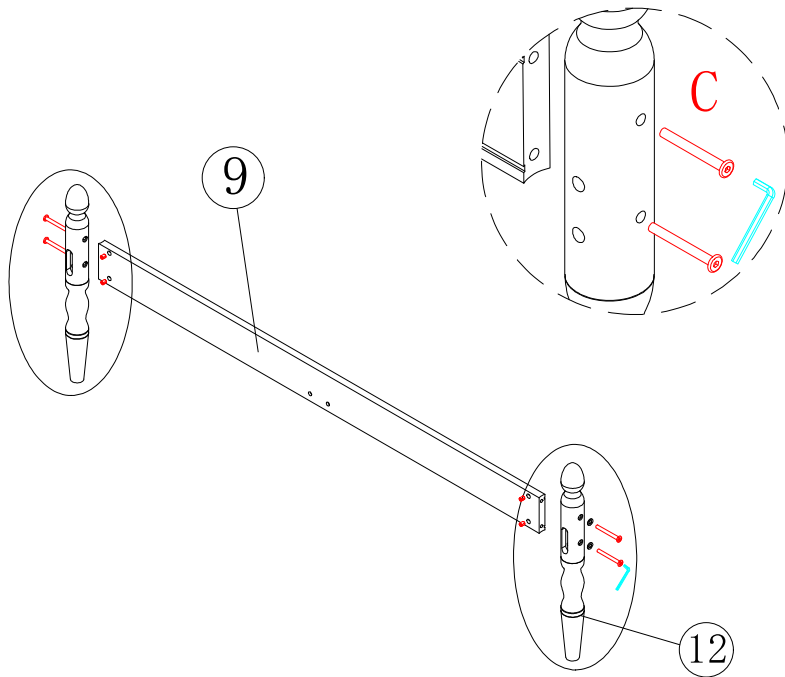


**B**×2PCS  
M6\*56

# Step 5

## Footboard Assembly

- Position the footboard ⑨ between the foot of bed ⑫.
- Insert the four bolts (H) through the pre-drilled holes.
- Hand-tighten all bolts first to ensure proper alignment.
- After alignment, use an appropriate tool to completely tighten all the bolts (C).



**C**×4PCS  
M6\*78

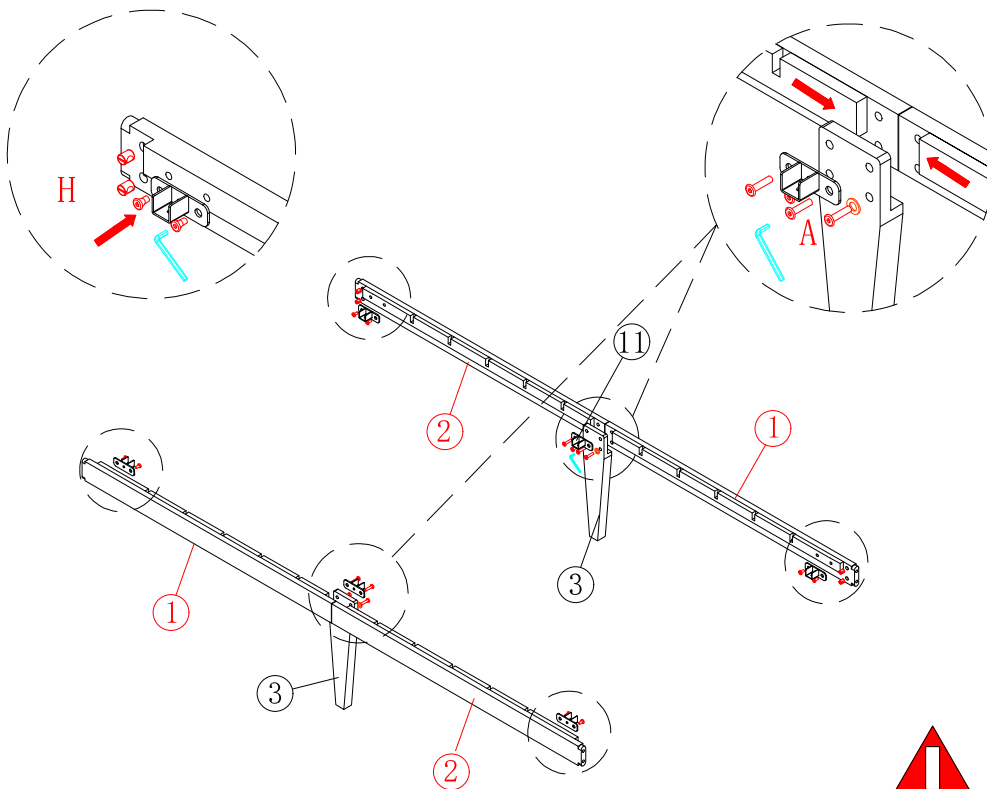


**H**×4PCS

# Step 6

## Assemble of Side Rails

- Connect the left side rails ①, left side rails ② and middle support leg ③ using connectors-A ⑪ and eight bolts (A) and four washer (F). The washers should be installed to the bottom holes.
- Secure the connector at each end of the side rail assembly to the bed frame using eight bolts (E). Insert the nut (H) into the edge part of the side rail.



**A**×8PCS  
M8\*27



**E**×8PCS  
M8\*14



**F**×4PCS



**H**×8PCS

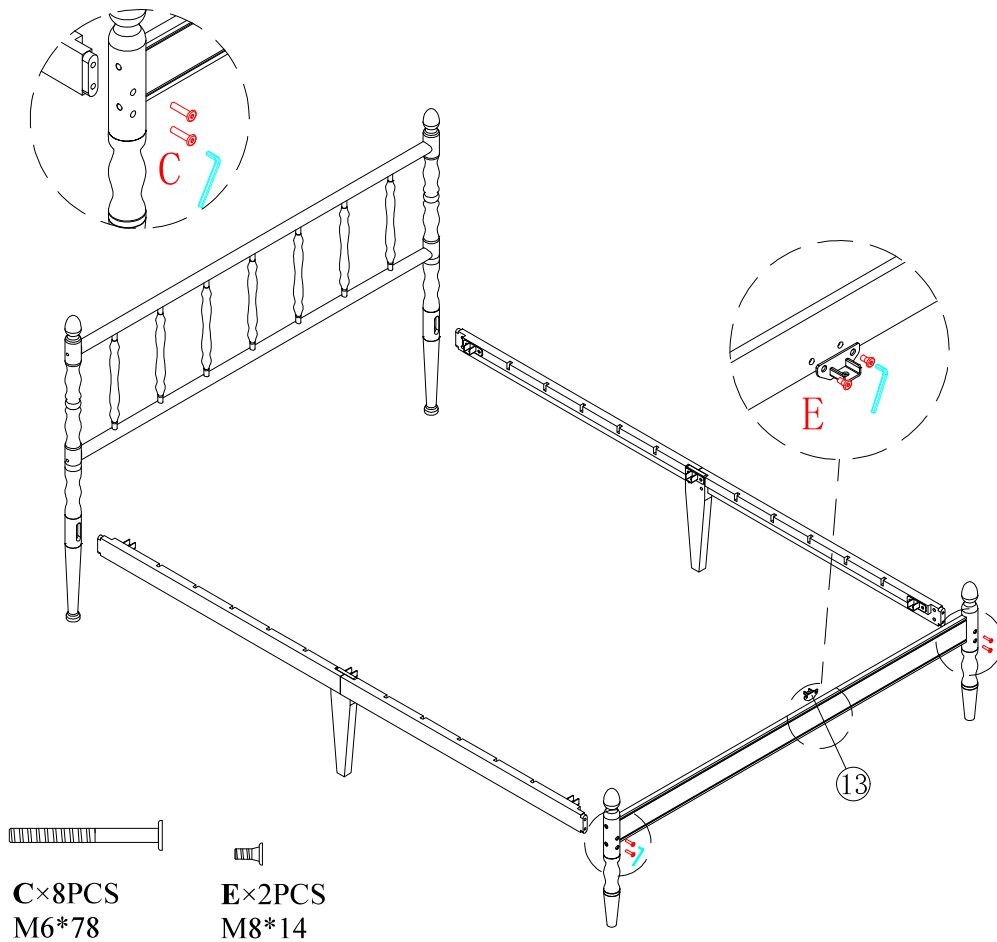


**Note:** Follow the direction indicated by the red arrow in the detailed view for proper installation. ⑪ It should be placed in the two screw holes above ③.

# Step 7

## Assemble the Bed Frame

- Align the mounting brackets on the side rails with the corresponding holes on both the headboard and side bracket.
- After all the bolts are in place, use the included hexagonal wrench to tighten bolts (C).
- Use bolt (E) to lock connector-B (13) onto the side bracket.

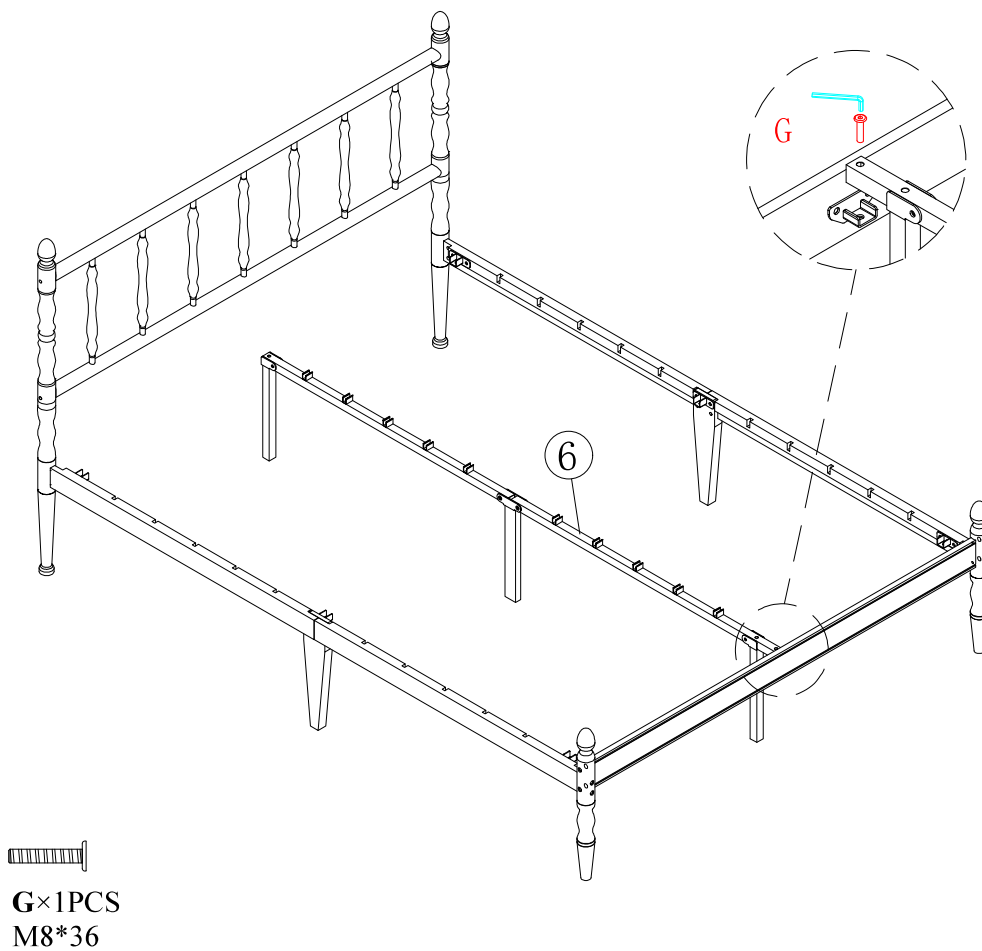


# Step 8

## Install the Center

### Support Rail

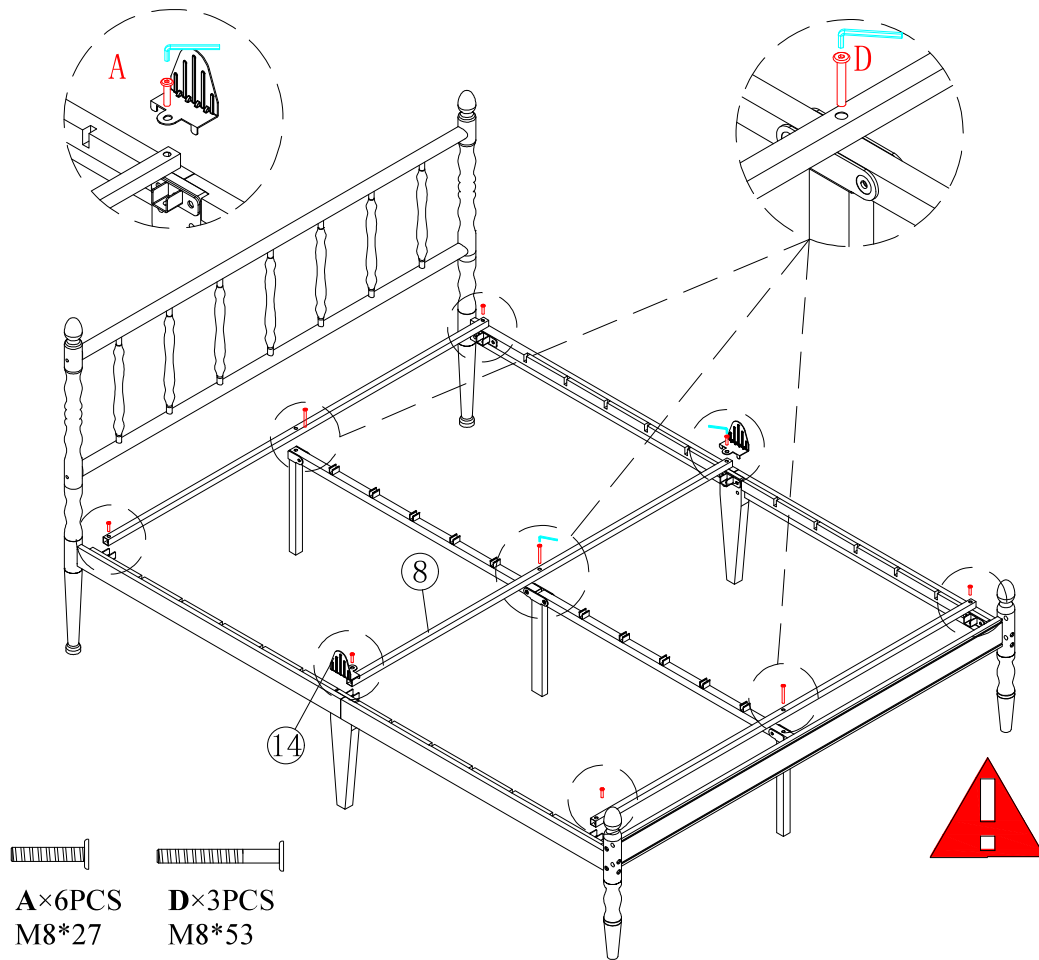
- Attach the center support rail (6) to both ends of the bed frame using bolts (G).



## Step 9

### Install the Center Support Bar

- Use bolts (A) and bolts (D) to lock the center support bar ⑧ onto the center support rail .
- At the center, mattress gasket ⑭ can be optionally installed.
- After installation is completed, tighten all the bolts.

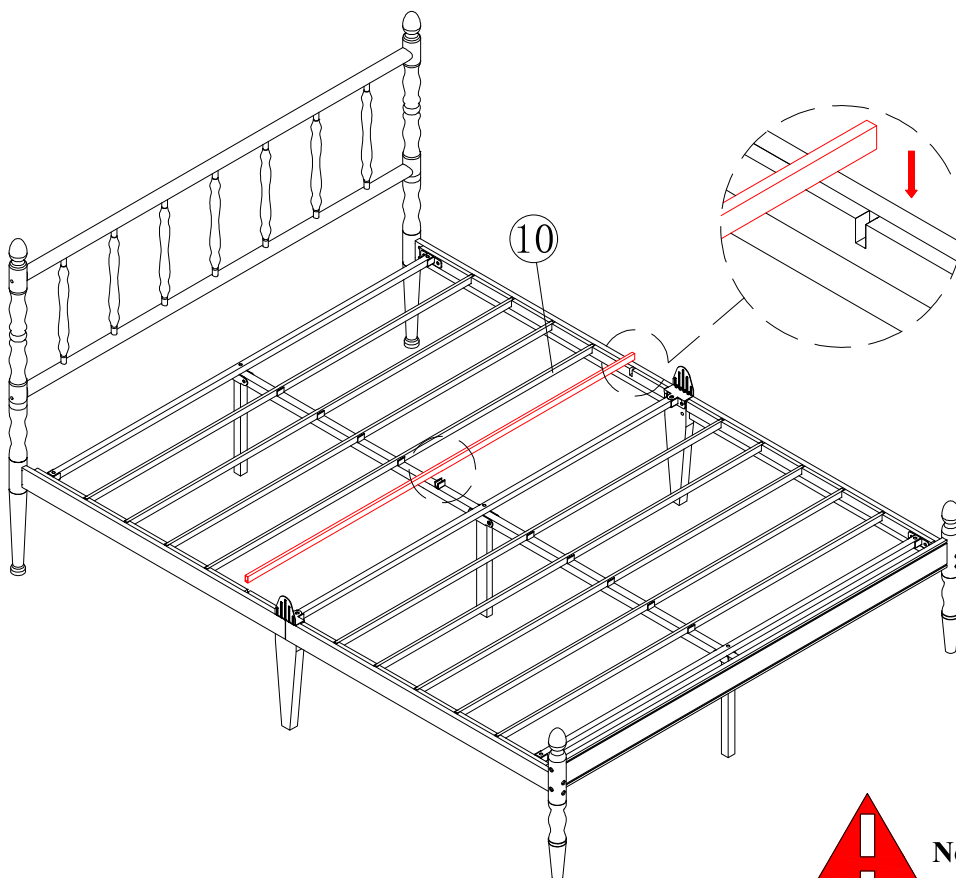


**Note:** Before completing assembly, double-check that all screws and components are fully tightened.

## Step 10

### Install the Bed Slats

- Place all bed slats ⑩ across the side rails.



**Note:** Before completing assembly, double-check that all screws and components are fully tightened.

# IMPORTANT INFORMATION

## Warning

- 1. Age Restriction:** The bed is not designed for children under 4 years old.
- 2. For your safety:** Jumping, rough play, or other vigorous activities on the bed are not recommended as they may cause injury or damage to the bed frame.
- 3. Weight Limit:** The maximum combined weight on the bed should not exceed 1000 lbs. This includes the weight of the bed itself, mattresses, bedding, and people.
- 4. Do not drag or push the bed frame:** Always use two people to lift and reposition the bed frame to avoid damage to the frame or the floor.

## Cleaning&Care

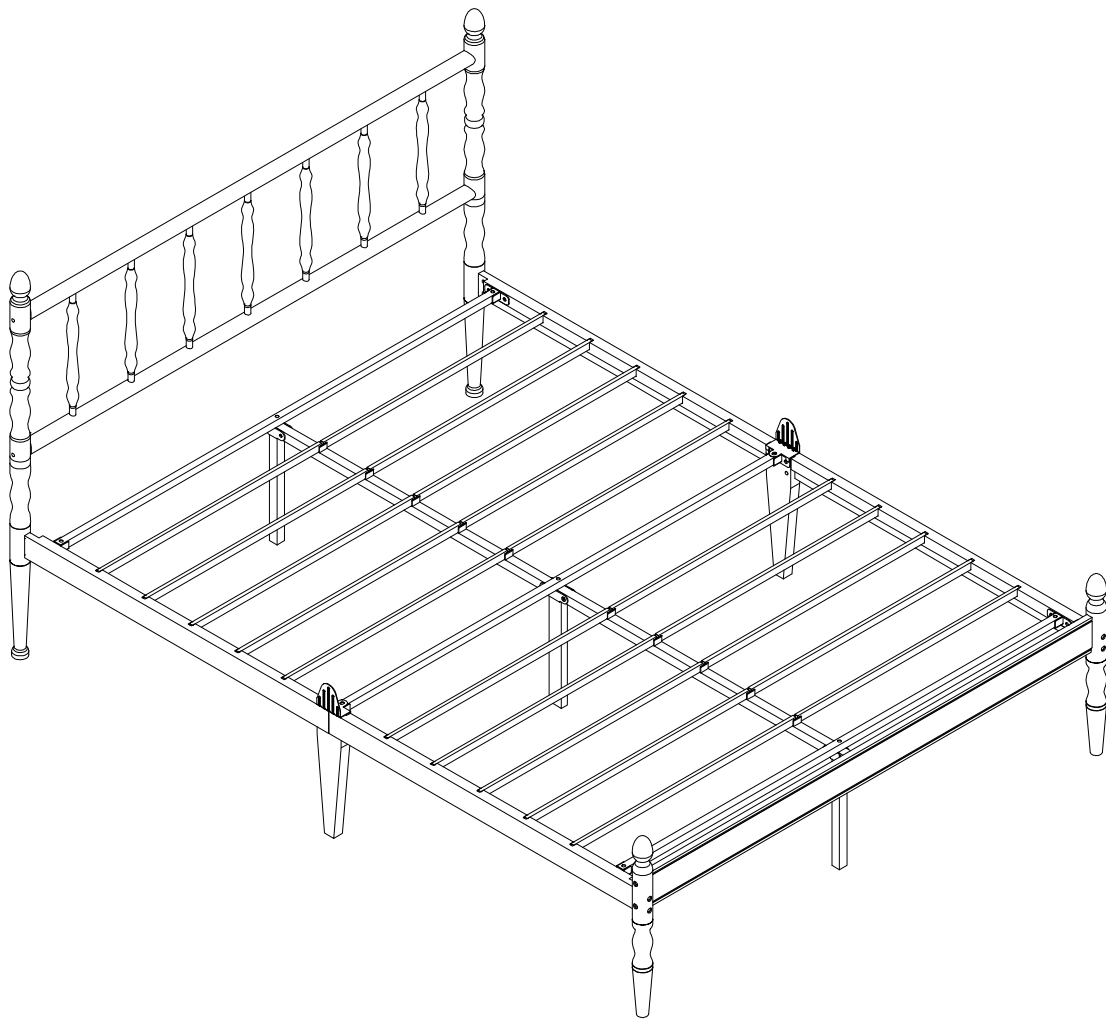
- 1. Cleaning method:** Use a dry or slightly damp soft cloth for cleaning. Avoid abrasive cleaners, which can damage the finish.
- 2. Hardware maintenance:** Over time, hardware can loosen. Regularly check and tighten all connections to maintain the bed's stability and prevent damage.

**Please keep these instructions for future reference!**

# ASSEMBLY INSTRUCTION

**SIZE: QUEEN(04)**

Notice: This instruction manual applies to queen size.



## **Excellent Customer Service-Please Contact Us Before Return Our Product!**

All of our products have been tested before packed, but If any parts are missing or damaged, please contact us, we will reply to you ASAP. When replacing parts or hardware, please log in to your account and message the seller. It will better to include applicable photos or provide the part number and quantity.

# PLEASE READ BEFORE ASSEMBLY

## Read Before Beginning Assembly

- 1. Clearing a area:** Please assemble in a spacious area near the product's final location, preferably on a carpet or protected surface to safeguard both your floor and the product.
- 2. Recommend team assembling:** It is recommended that at least 2 people assemble this product. Having an extra hand can make the process faster easier.
- 3. Check for all parts:** Most parts are labeled or stamped on the raw edge. Ensure all parts are included before starting.
- 4. Read each step carefully:** Follow the assembly steps in the correct order. Skipping steps or changing the sequence can lead to difficulties.
- 5. Tighten after complete:** Do not fully tighten any bolts before the entire assembly is completed. Final tightening all together ensures greater stability.
- 6. You can contact us:** If you encounter any questions or difficulties during installation, please contact us through marketplace.

## Caution

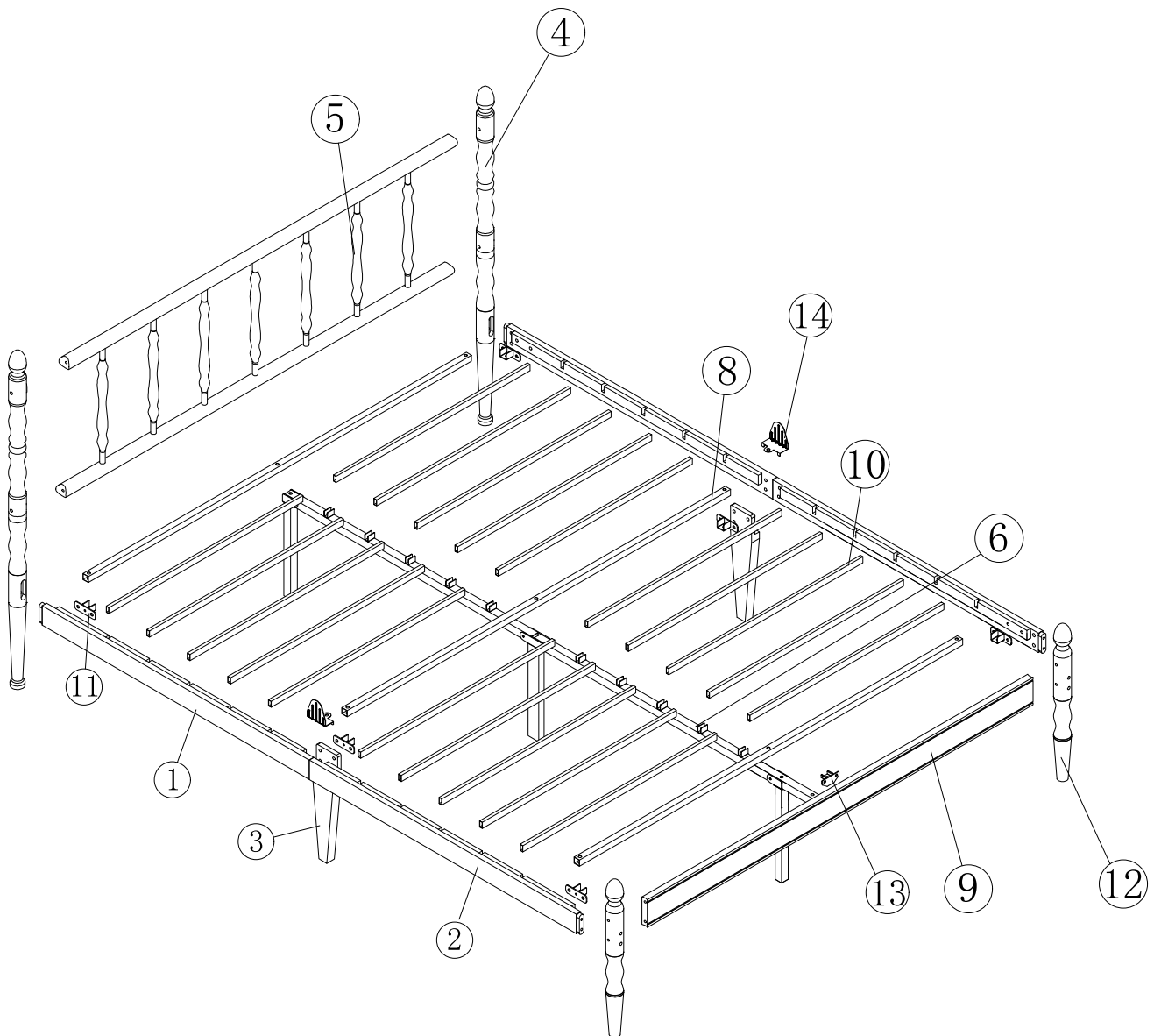
- 1. Choking hazard:** This product contains small parts. Keep out of reach of children.
- 2. Use power tools with caution:** Overloading or improper operation of power tools can strip or damage parts and void the warranty.

## Warranty Information

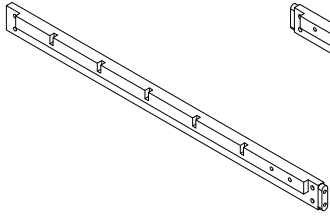
- 1.** This product is warranted against defects in materials and manufacture for 3 years from the purchase date (proof of purchase required).
- 2.** Warranty covers defective parts only. Assembly labor not included.
- 3.** Not valid for misuse, improper assembly, alterations, or unauthorized repairs. No liability for consequential damages where permitted by law.

# Parts & Hardware

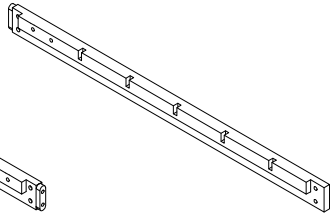
1. This page lists all the items included in this package. Please identify the hardware and individual components before beginning assembly.
2. This model includes only the parts numbered above. Skipped numbers indicate that the part is not used on this model.



# Parts & Hardware



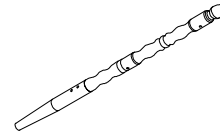
① Left Side Rail  
2PCS



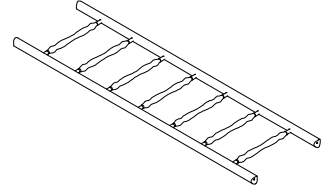
② Right Side Rail  
2PCS



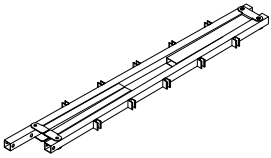
③ Middle Support Leg  
2PCS



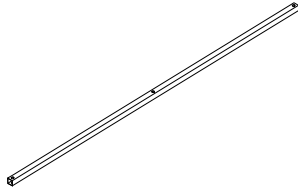
④ Bedposts  
2PCS



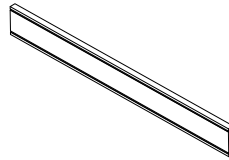
⑤ Headboard Panel-A  
1PCS



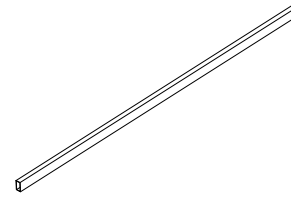
⑥ Center Support Rail  
1PCS



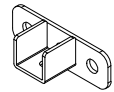
⑧ Center Support Bar  
3PCS



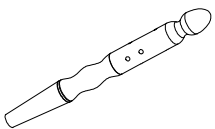
⑨ Footboard  
1PCS



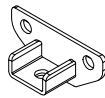
⑩ Slat  
20PCS



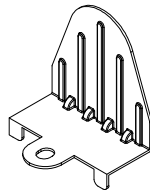
⑪ Connector-A  
6PCS



⑫ Foot of Bed  
2PCS



⑬ Connector-B  
1PCS



⑭ Mattress Gasket  
2PCS



**A**×14PCS  
M8\*27  
+1(spare)



**B**×4PCS  
M6\*56  
+1(spare)



**C**×12PCS  
M6\*78  
+1(spare)



**D**×3PCS  
M8\*53  
+1(spare)



**E**×10PCS  
M8\*14  
+1(spare)



**F**×4PCS  
M8  
+1(spare)



**G**×1PCS  
M8\*36



**H**×12PCS  
+1(spare)

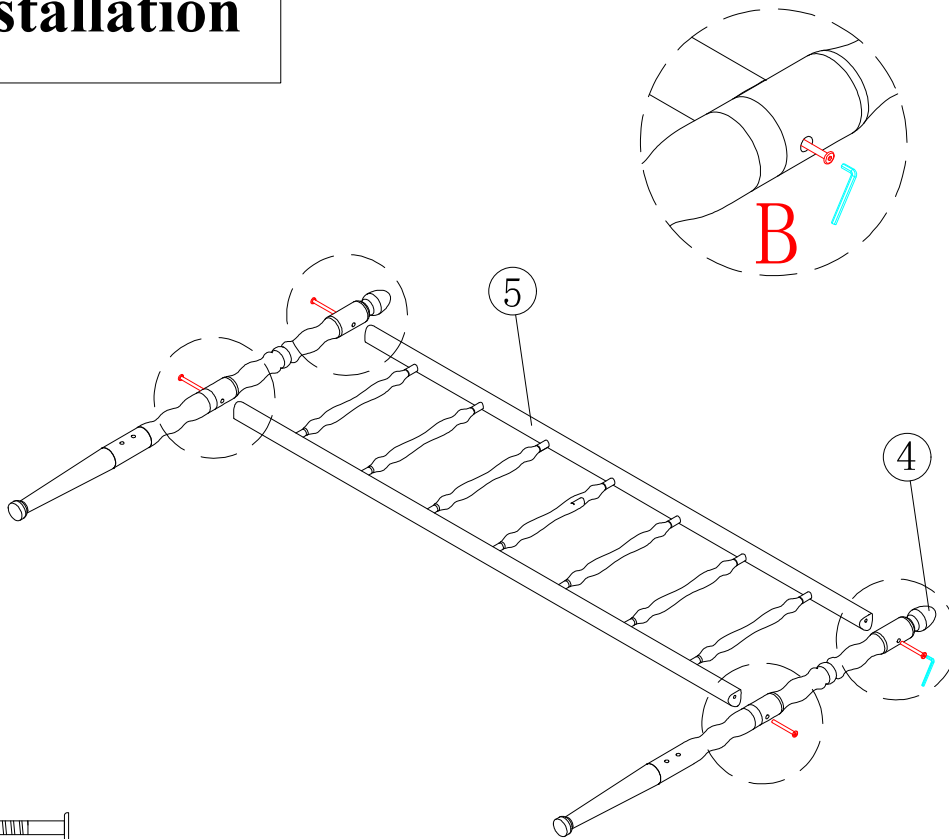


# Installation

## Step 1

### Assemble of Side Rails

- Attach headboard panel-A ⑤ to the bedposts ④ using four bolts (B);
- Important: Only hand-tighten the bolts at this stage - do not fully tighten.

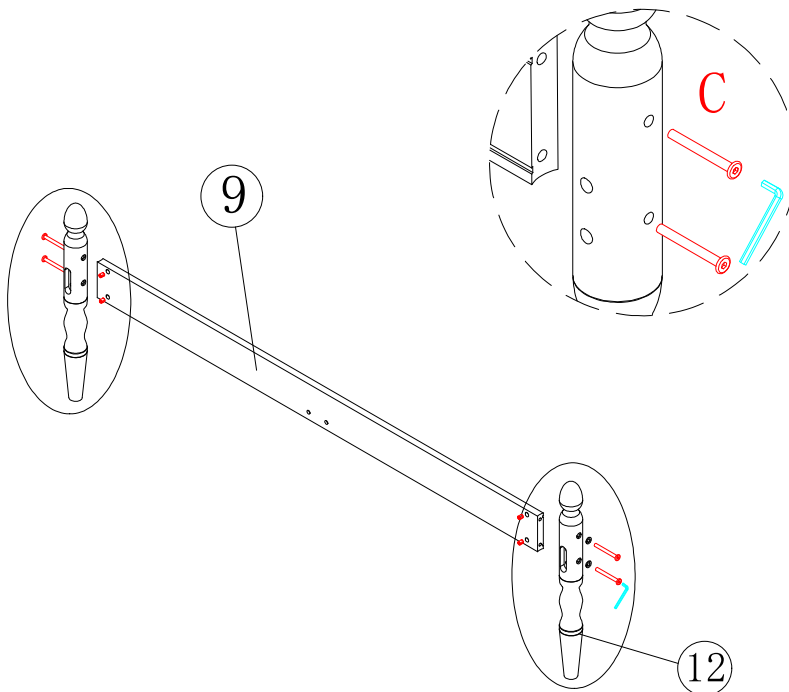


B×4PCS  
M6\*56

## Step 2

### Footboard Assembly

- Position the footboard ⑨ between the foot of bed ⑫.
- Insert the four bolts (H) through the pre-drilled holes.
- Hand-tighten all bolts first to ensure proper alignment.
- After alignment, use an appropriate tool to completely tighten all the bolts (C).



C×4PCS  
M6\*78

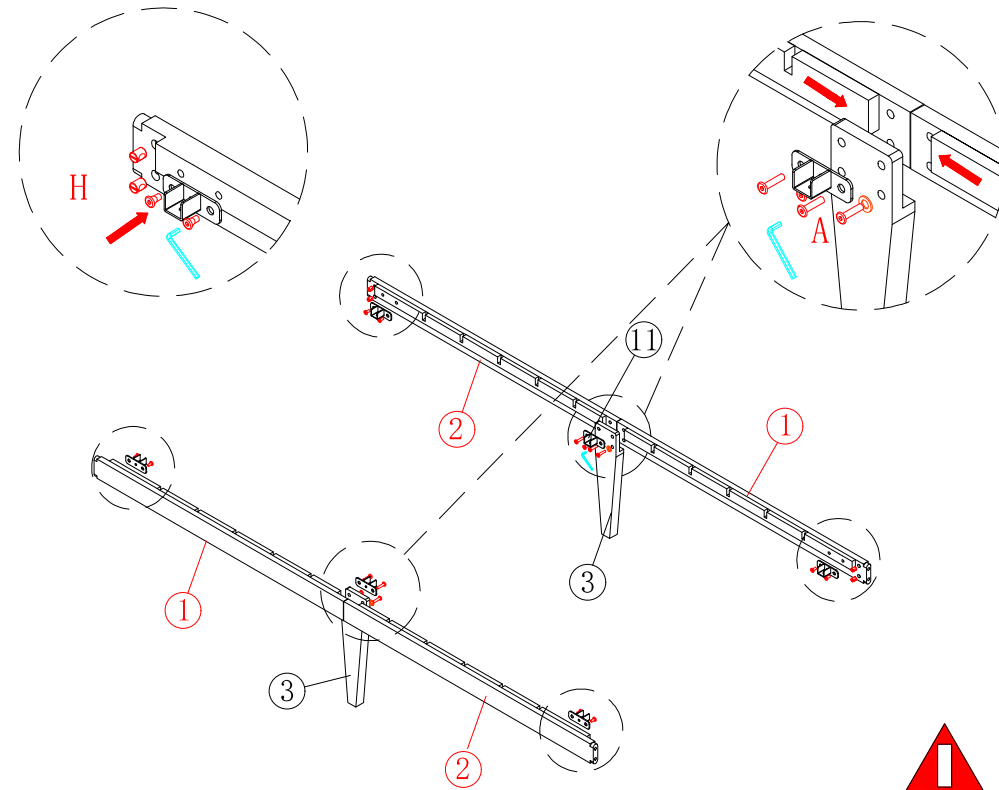


H×4PCS

# Step 3

## Assemble of Side Rails

- Connect the left side rails ①, left side rails ② and middle support leg ③ using connectors-A ⑪ and eight bolts (A) and four washer (F). The washers should be installed to the bottom holes.
- Secure the connector at each end of the side rail assembly to the bed frame using eight bolts (E). Insert the nut (H) into the edge part of the side rail.

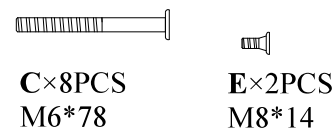
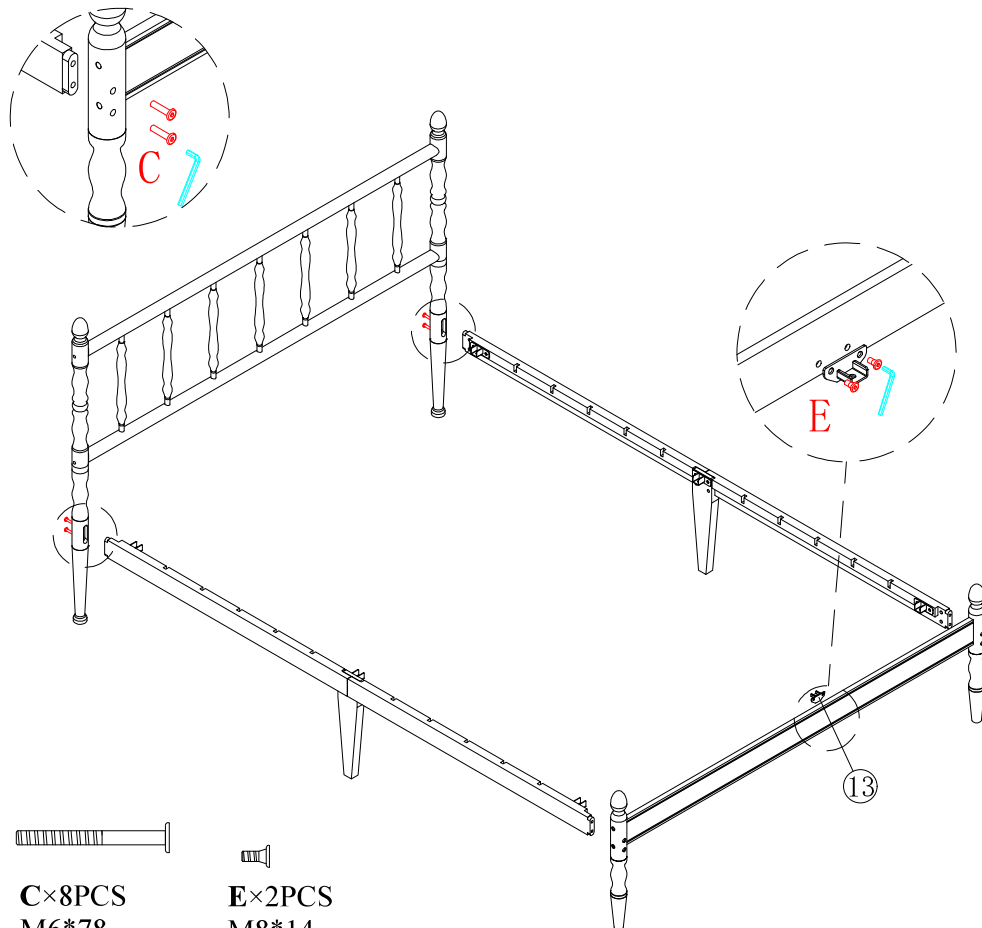


**Note:** Follow the direction indicated by the red arrow in the detailed view for proper installation. ⑪ It should be placed in the two screw holes above ③.

# Step 4

## Assemble the Bed Frame

- Align the mounting brackets on the side rails with the corresponding holes on both the headboard and side bracket.
- After all the bolts are in place, use the included hexagonal wrench to tighten bolts (B).
- Use bolt (E) to lock connector-B ⑬ onto the side bracket.

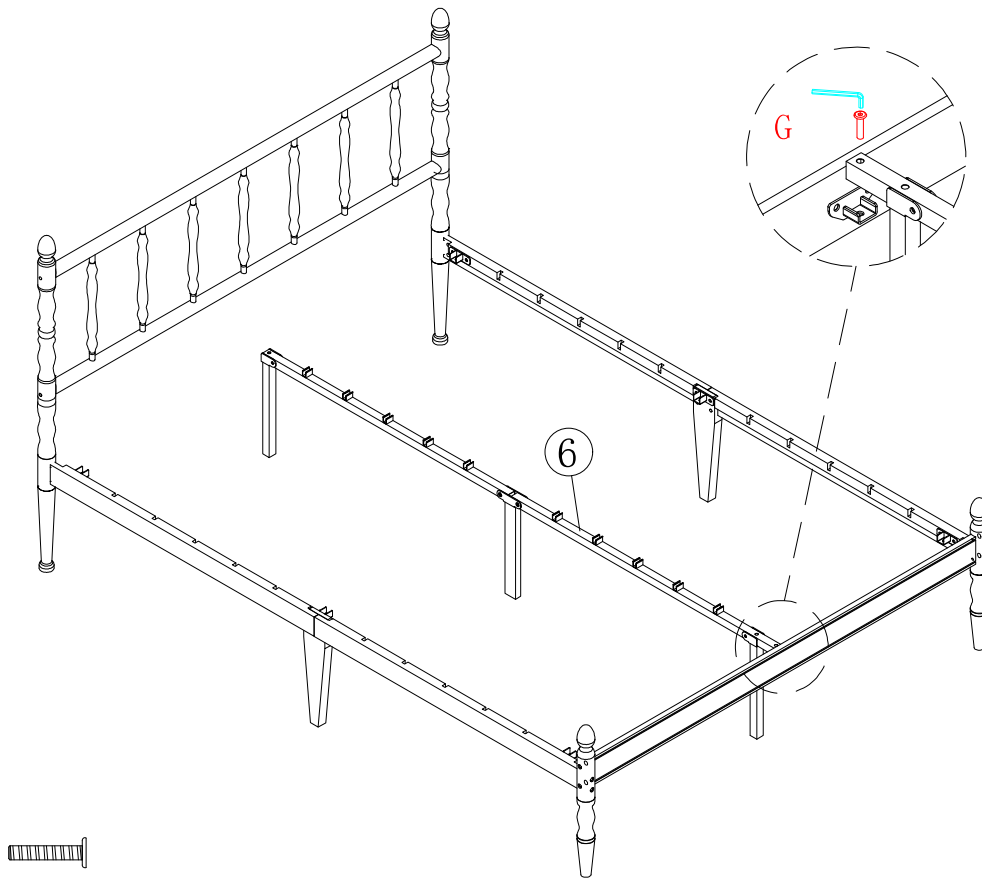


# Step 5

## Install the Center Support Rail

### Support Rail

- Attach the center support rail ⑥ to both ends of the bed frame using bolts (G).

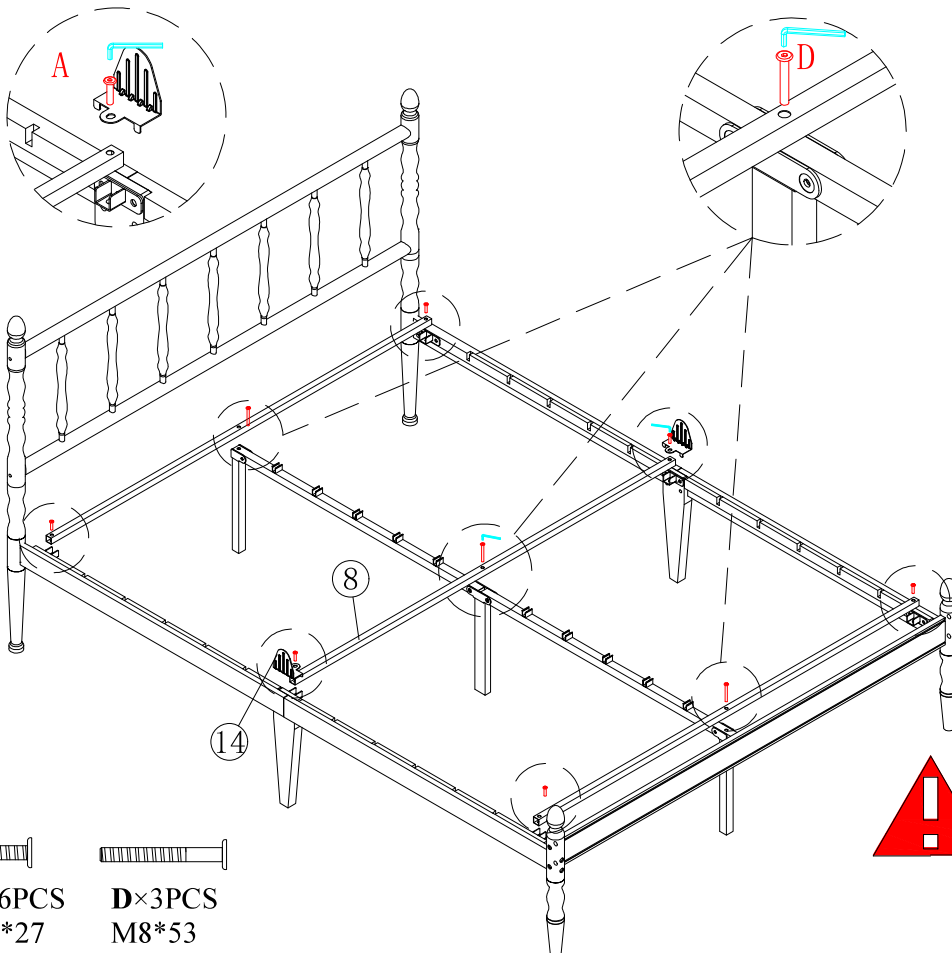


G×1PCS  
M8\*36

# Step 6

## Install the Center Support Bar

- Use bolts (A) and bolts (D) to lock the center support bar ⑧ onto the center support rail.
- At the center, mattress gasket ⑭ can be optionally installed.
- After installation is completed, tighten all the bolts.



A×6PCS  
M8\*27



D×3PCS  
M8\*53

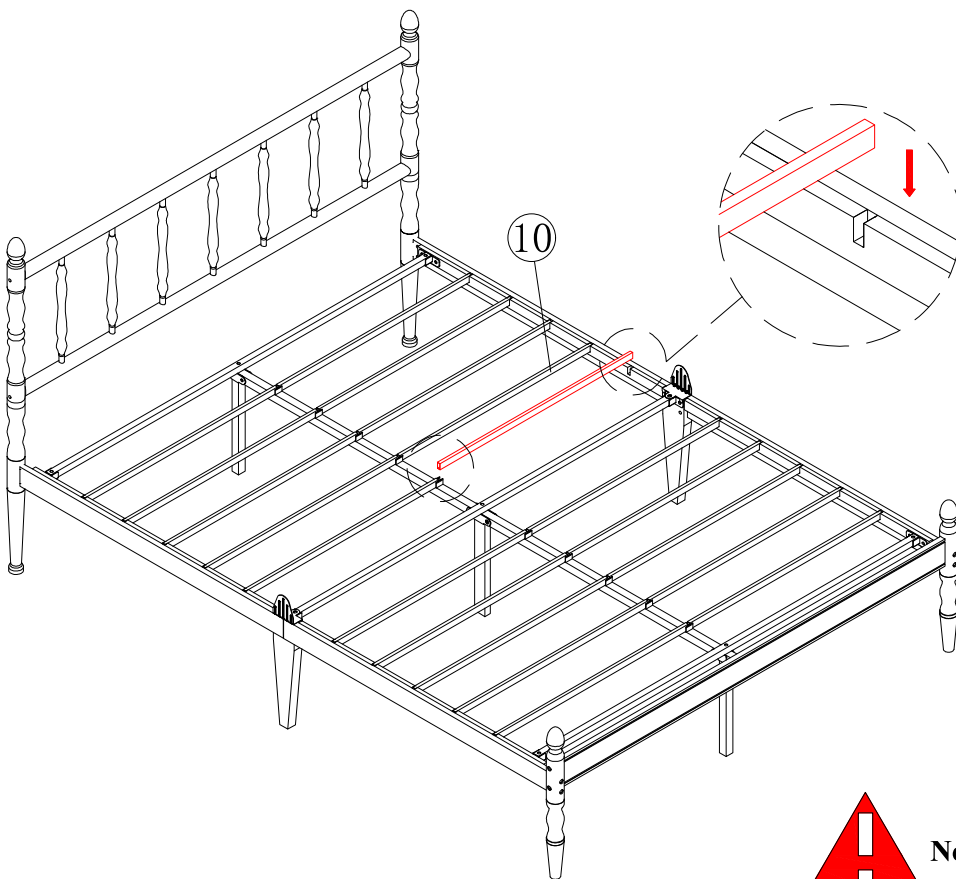


**Note:** Before completing assembly, double-check that all screws and components are fully tightened.

## Step 7

### Install the Bed Slats

- Place all bed slats ⑩ across the side rails.



**Note:** Before completing assembly, double-check that all screws and components are fully tightened.

# IMPORTANT INFORMATION

## Warning

- 1. Age Restriction:** The bed is not designed for children under 4 years old.
- 2. For your safety:** Jumping, rough play, or other vigorous activities on the bed are not recommended as they may cause injury or damage to the bed frame.
- 3. Weight Limit:** The maximum combined weight on the bed should not exceed 1000 lbs. This includes the weight of the bed itself, mattresses, bedding, and people.
- 4. Do not drag or push the bed frame:** Always use two people to lift and reposition the bed frame to avoid damage to the frame or the floor.

## Cleaning & Care

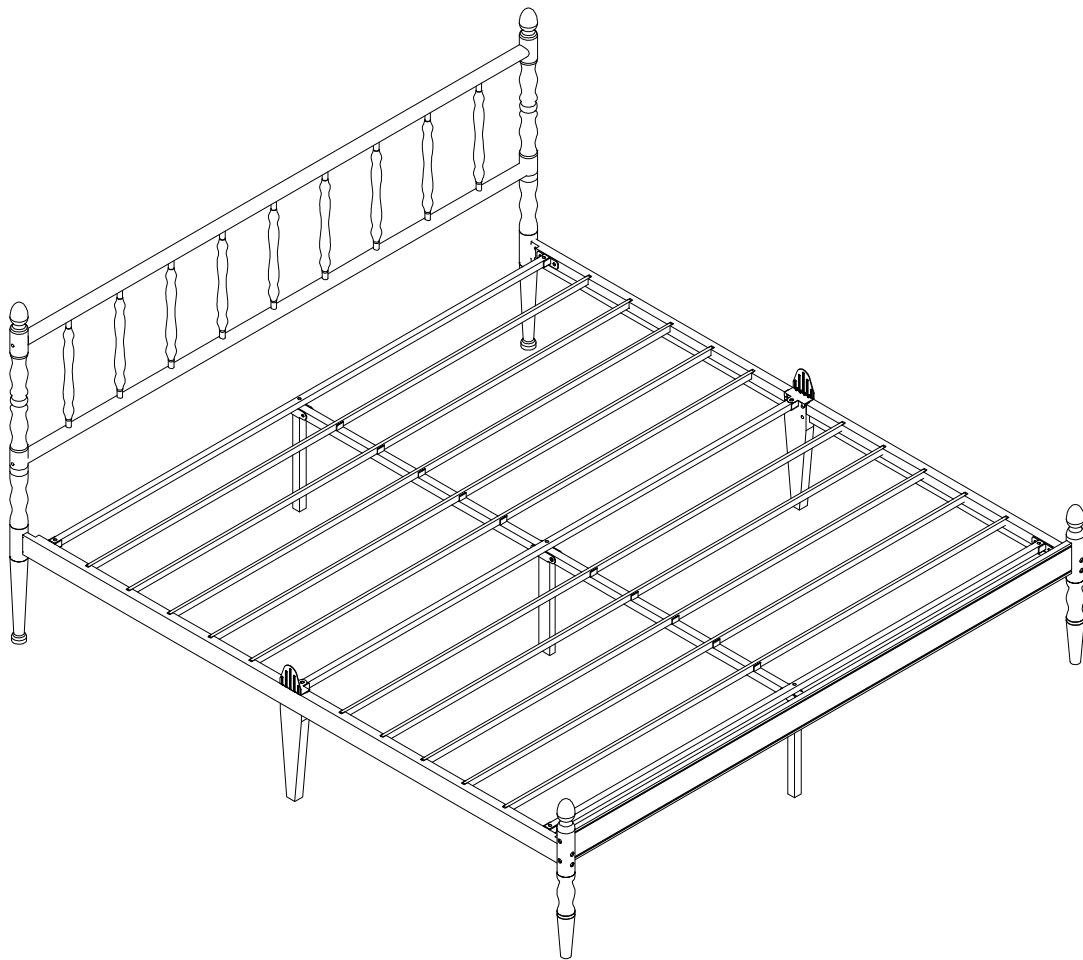
- 1. Cleaning method:** Use a dry or slightly damp soft cloth for cleaning. Avoid abrasive cleaners, which can damage the finish.
- 2. Hardware maintenance:** Over time, hardware can loosen. Regularly check and tighten all connections to maintain the bed's stability and prevent damage.

**Please keep these instructions for future reference!**

# ASSEMBLY INSTRUCTION

**SIZE: KING(05)**

Notice: This instruction manual applies to king size.



## **Excellent Customer Service-Please Contact Us Before Return Our Product!**

All of our products have been tested before packed, but If any parts are missing or damaged, please contact us, we will reply to you ASAP. When replacing parts or hardware, please log in to your account and message the seller. It will better to include applicable photos or provide the part number and quantity.

# PLEASE READ BEFORE ASSEMBLY

## Read Before Beginning Assembly

- 1. Clearing a area:** Please assemble in a spacious area near the product's final location, preferably on a carpet or protected surface to safeguard both your floor and the product.
- 2. Recommend team assembling:** It is recommended that at least 2 people assemble this product. Having an extra hand can make the process faster easier.
- 3. Check for all parts:** Most parts are labeled or stamped on the raw edge. Ensure all parts are included before starting.
- 4. Read each step carefully:** Follow the assembly steps in the correct order. Skipping steps or changing the sequence can lead to difficulties.
- 5. Tighten after complete:** Do not fully tighten any bolts before the entire assembly is completed. Final tightening all together ensures greater stability.
- 6. You can contact us:** If you encounter any questions or difficulties during installation, please contact us through marketplace.

## Caution

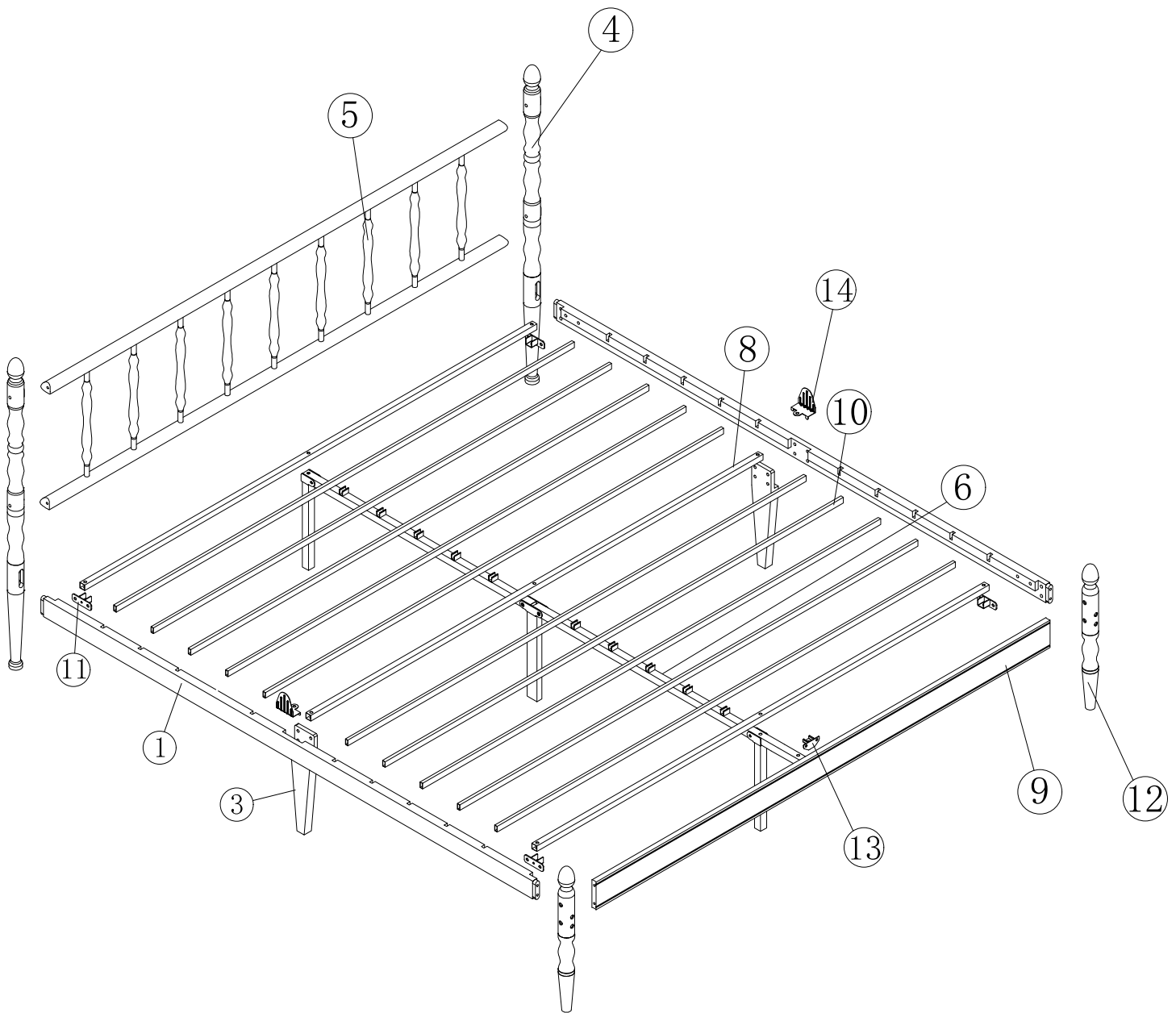
- 1. Choking hazard:** This product contains small parts. Keep out of reach of children.
- 2. Use power tools with caution:** Overloading or improper operation of power tools can strip or damage parts and void the warranty.

## Warranty Information

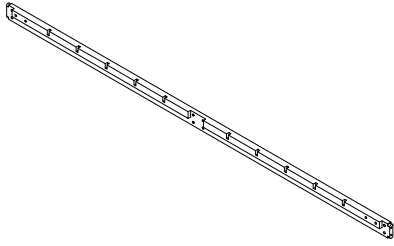
- 1.** This product is warranted against defects in materials and manufacture for 3 years from the purchase date (proof of purchase required).
- 2.** Warranty covers defective parts only. Assembly labor not included.
- 3.** Not valid for misuse, improper assembly, alterations, or unauthorized repairs. No liability for consequential damages where permitted by law.

# Parts & Hardware

1. This page lists all the items included in this package. Please identify the hardware and individual components before beginning assembly.
2. This model includes only the parts numbered above. Skipped numbers indicate that the part is not used on this model.



# Parts & Hardware



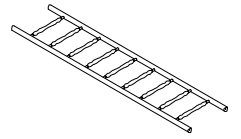
① Side Rail  
2PCS



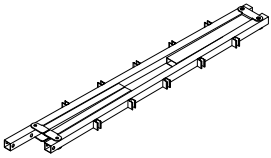
③ Middle Support Leg  
2PCS



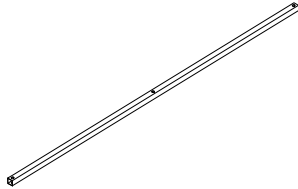
④ Bedposts  
2PCS



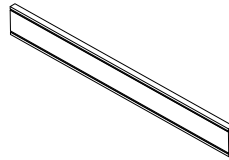
⑤ Headboard Panel-A  
1PCS



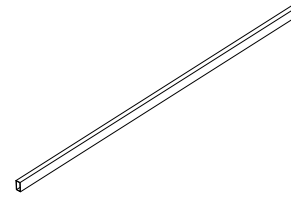
⑥ Center Support Rail  
1PCS



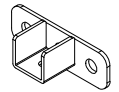
⑧ Center Support Bar  
3PCS



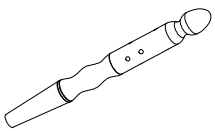
⑨ Footboard  
1PCS



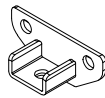
⑩ Slat  
10PCS



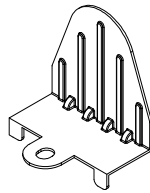
⑪ Connector-A  
6PCS



⑫ Foot of Bed  
2PCS



⑬ Connector-B  
1PCS



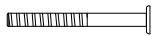
⑭ Mattress Gasket  
2PCS



**A**×14PCS  
M8\*27  
+1(spare)



**B**×4PCS  
M6\*56  
+1(spare)



**C**×12PCS  
M6\*78  
+1(spare)



**D**×3PCS  
M8\*53  
+1(spare)



**E**×10PCS  
M8\*14  
+1(spare)



**F**×4PCS  
M8  
+1(spare)



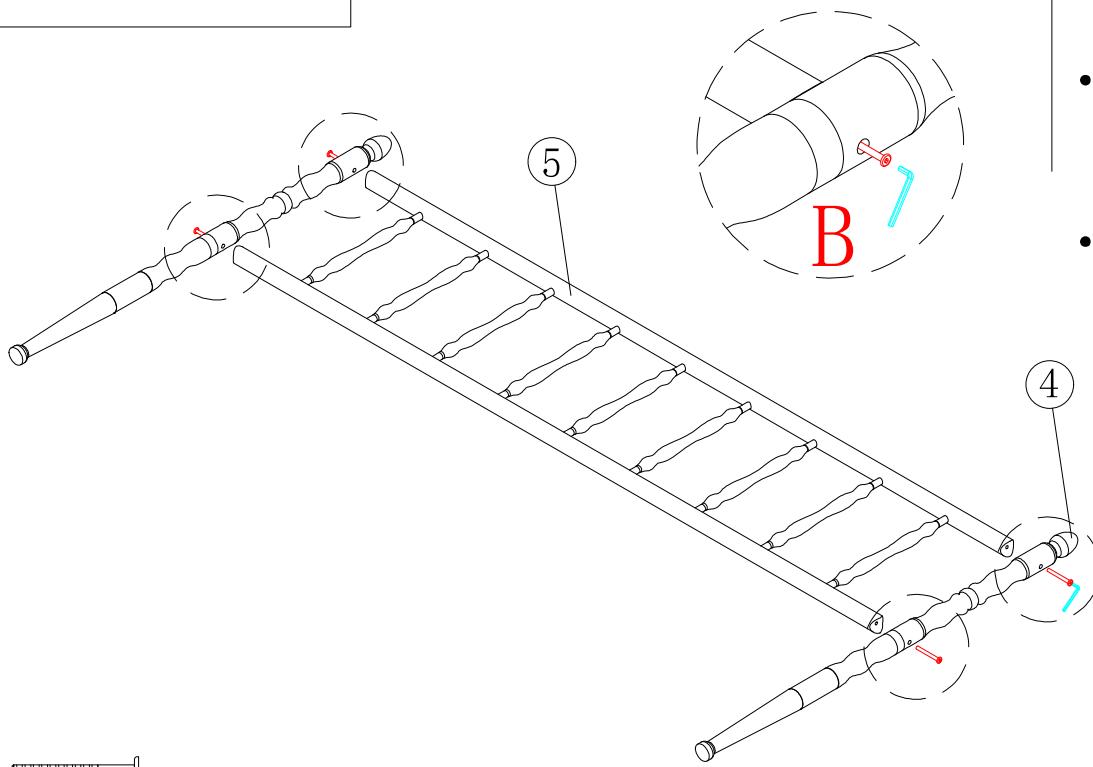
**G**×1PCS  
M8\*36



**H**×12PCS  
+1(spare)



# Installation

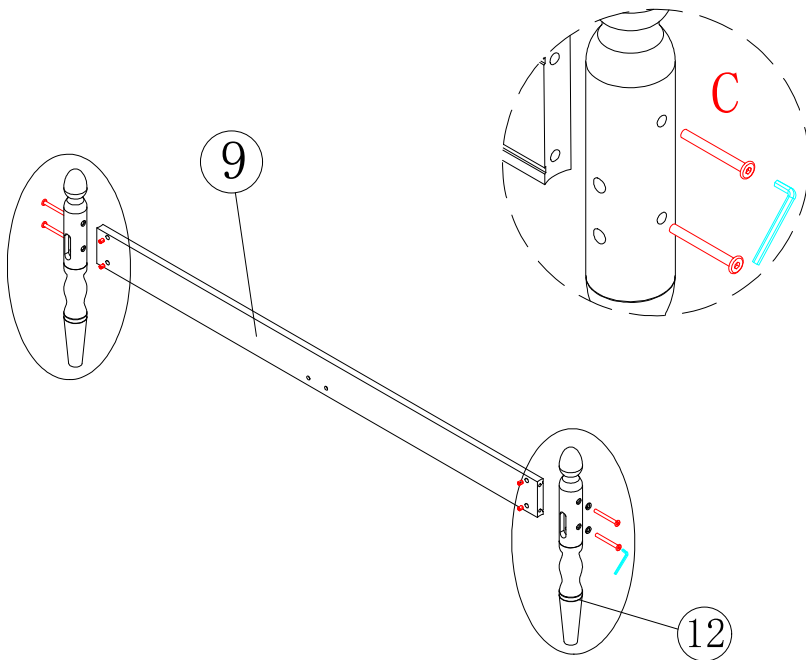


**B**×4PCS  
M6\*56

## Step 1

### Assemble of Side Rails

- Attach headboard panel-A ⑤ to the bedposts ④ using four bolts (B);
- Important: Only hand-tighten the bolts at this stage - do not fully tighten.



**C**×4PCS  
M6\*78



**H**×4PCS

## Step 2

### Footboard Assembly

- Position the footboard ⑨ between the foot of bed ⑫.
- Insert the four bolts (H) through the pre-drilled holes.
- Hand-tighten all bolts first to ensure proper alignment.
- After alignment, use an appropriate tool to completely tighten all the bolts (C).

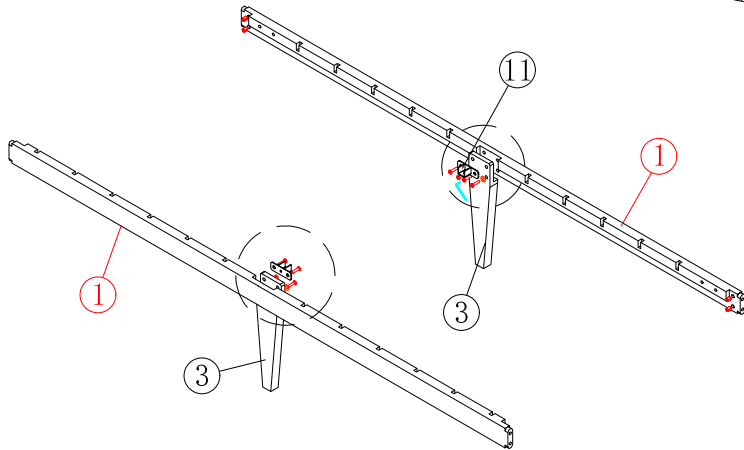
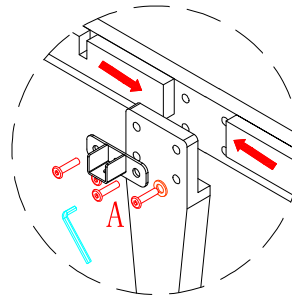
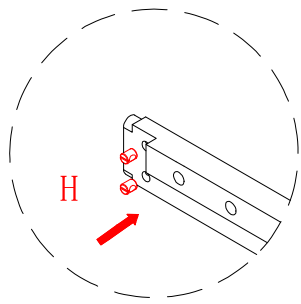
# Step 3

## Assemble of Side Rails

- Connect the side rails ① and middle support leg ③ using connectors-A ⑪ and eight bolts (A) and four washer (F). The washers should be installed to the bottom holes.
- Secure the connector at each end of the side rail assembly to the bed frame using eight bolts (E). Insert the nut (H) into the edge part of the side rail.



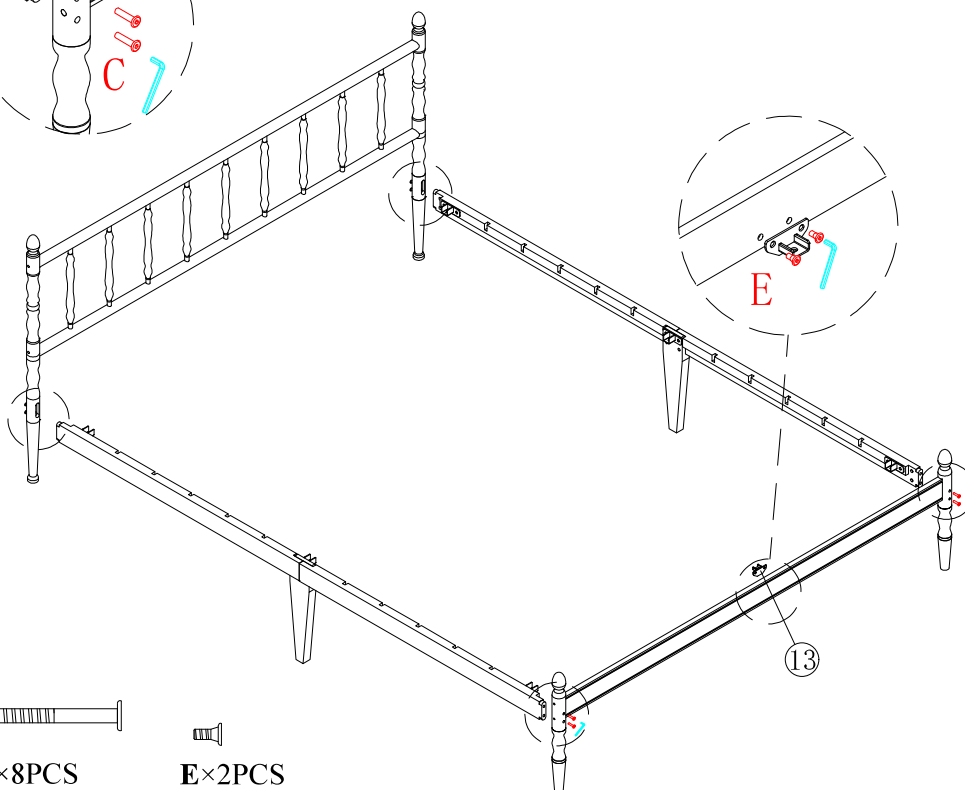
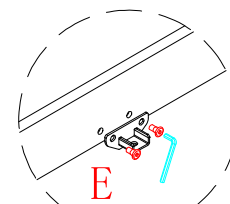
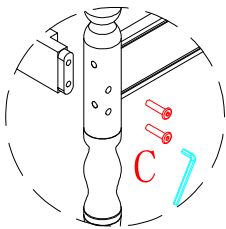
**Note:** Follow the direction indicated by the red arrow in the detailed view for proper installation. ⑪ It should be placed in the two screw holes above ③.



# Step 4

## Assemble the Bed Frame

- Align the mounting brackets on the side rails with the corresponding holes on both the headboard and side bracket.
- After all the bolts are in place, use the included hexagonal wrench to tighten bolts (B).
- Use bolt (E) to lock connector-B ⑬ onto the side bracket.

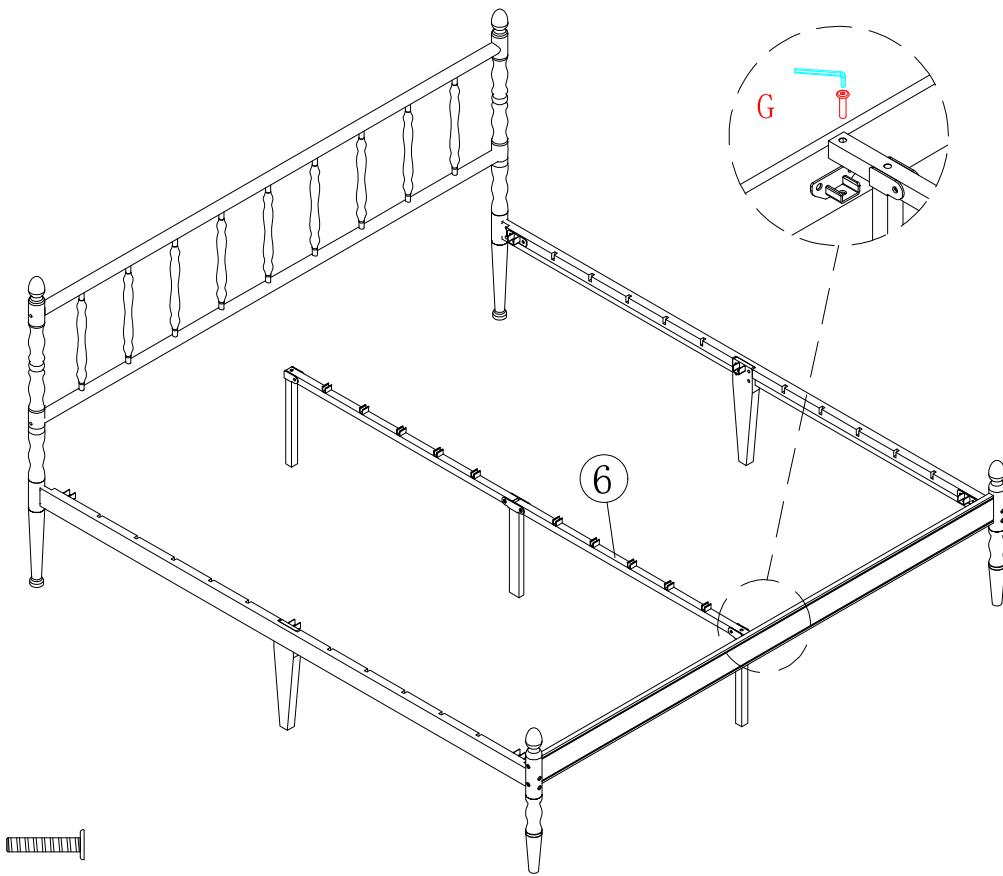


# Step 5

## Install the Center Support Rail

### Support Rail

- Attach the center support rail ⑥ to both ends of the bed frame using bolts (G).

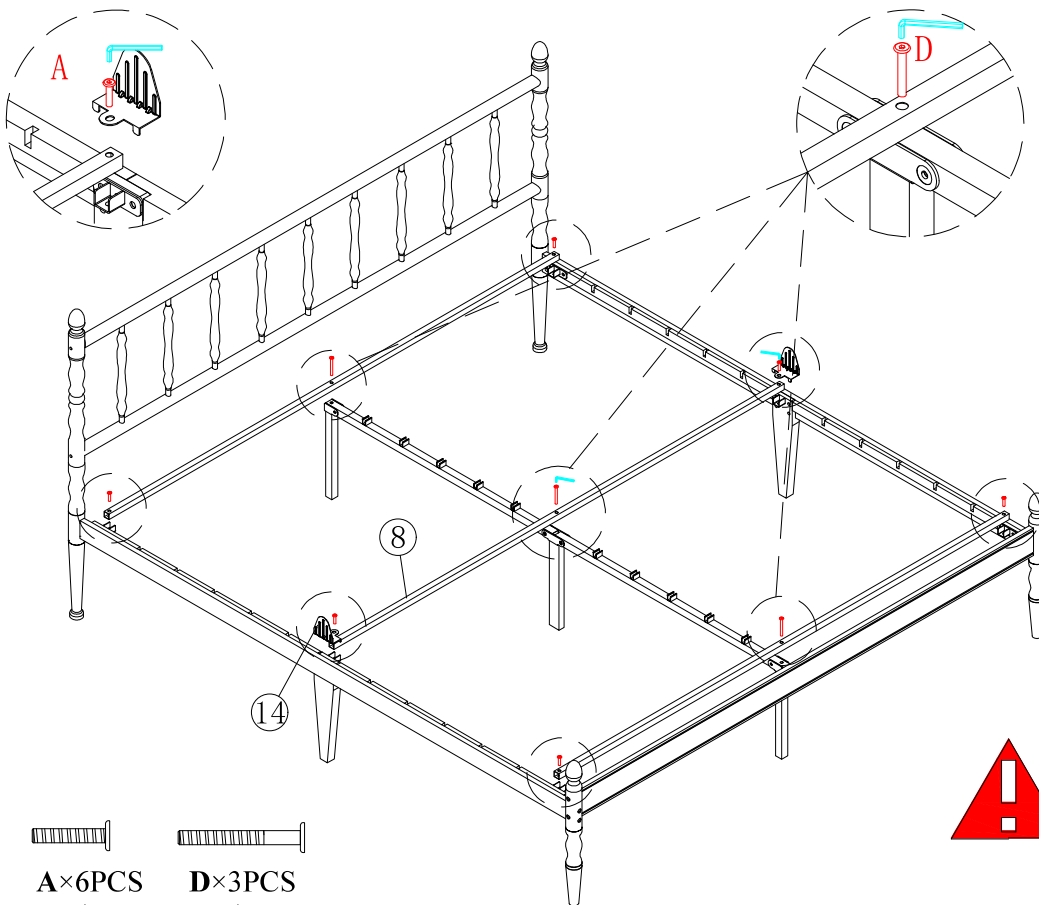


G×1PCS  
M8\*36

# Step 6

## Install the Center Support Bar

- Use bolts (A) and bolts (D) to lock the center support bar ⑧ onto the center support rail.
- At the center, mattress gasket ⑭ can be optionally installed.
- After installation is completed, tighten all the bolts.



A×6PCS  
M8\*27



D×3PCS  
M8\*53

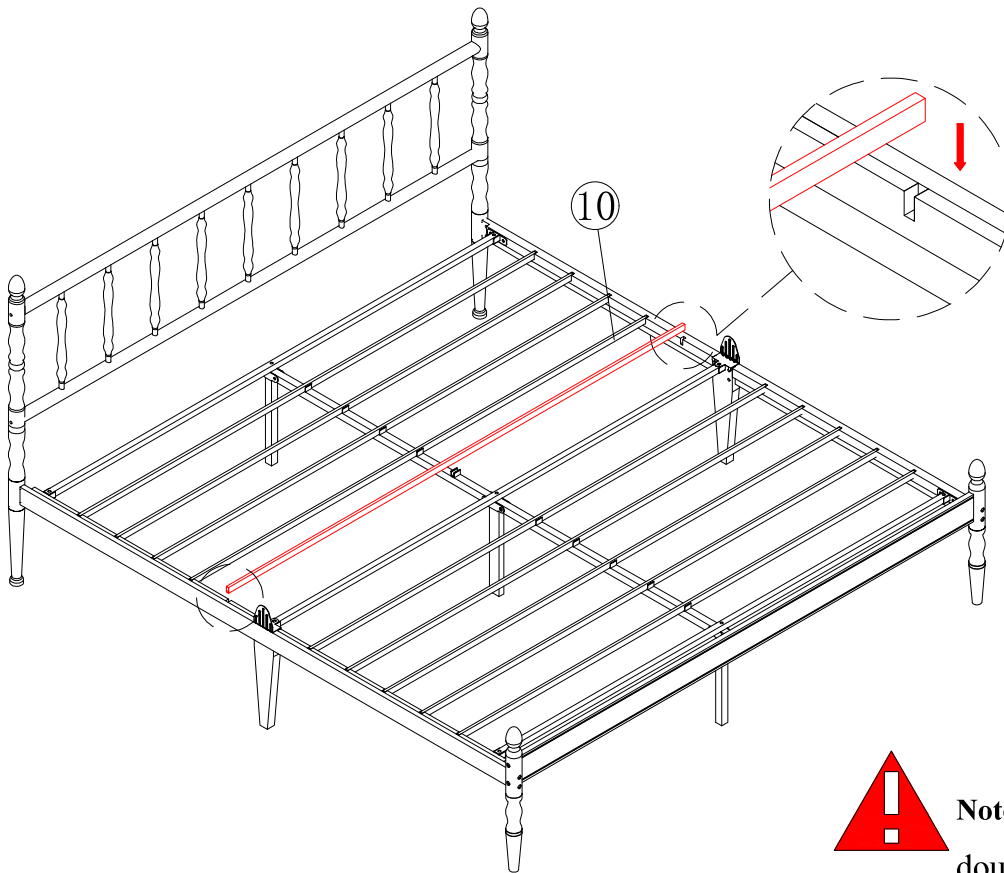


**Note:** Before completing assembly, double-check that all screws and components are fully tightened.

## Step 7

### Install the Bed Slats

- Place all bed slats ⑩ across the side rails.



**Note:** Before completing assembly, double-check that all screws and components are fully tightened.

# IMPORTANT INFORMATION

## Warning

- 1. Age Restriction:** The bed is not designed for children under 4 years old.
- 2. For your safety:** Jumping, rough play, or other vigorous activities on the bed are not recommended as they may cause injury or damage to the bed frame.
- 3. Weight Limit:** The maximum combined weight on the bed should not exceed 1000 lbs. This includes the weight of the bed itself, mattresses, bedding, and people.
- 4. Do not drag or push the bed frame:** Always use two people to lift and reposition the bed frame to avoid damage to the frame or the floor.

## Cleaning & Care

- 1. Cleaning method:** Use a dry or slightly damp soft cloth for cleaning. Avoid abrasive cleaners, which can damage the finish.
- 2. Hardware maintenance:** Over time, hardware can loosen. Regularly check and tighten all connections to maintain the bed's stability and prevent damage.

**Please keep these instructions for future reference!**