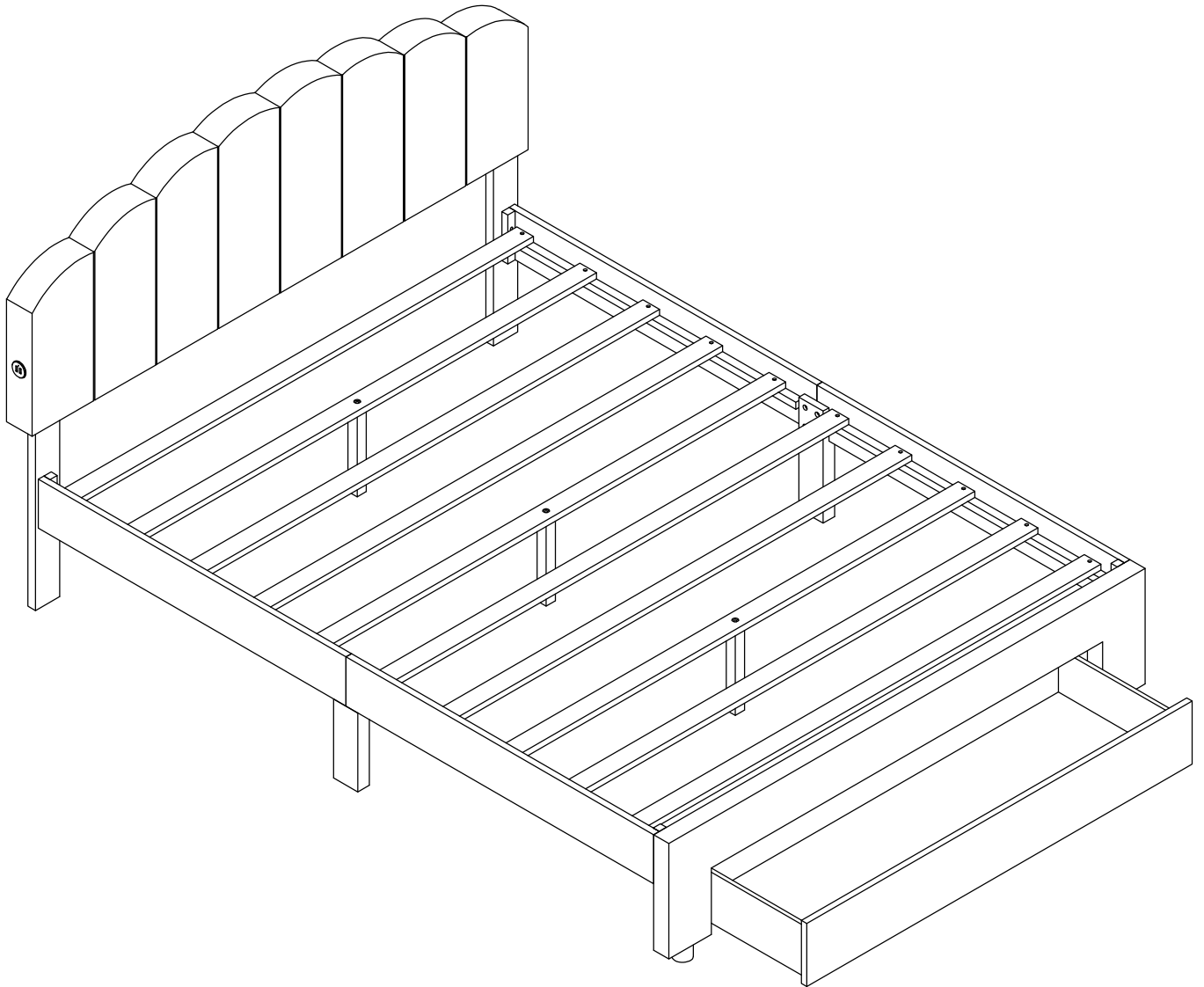
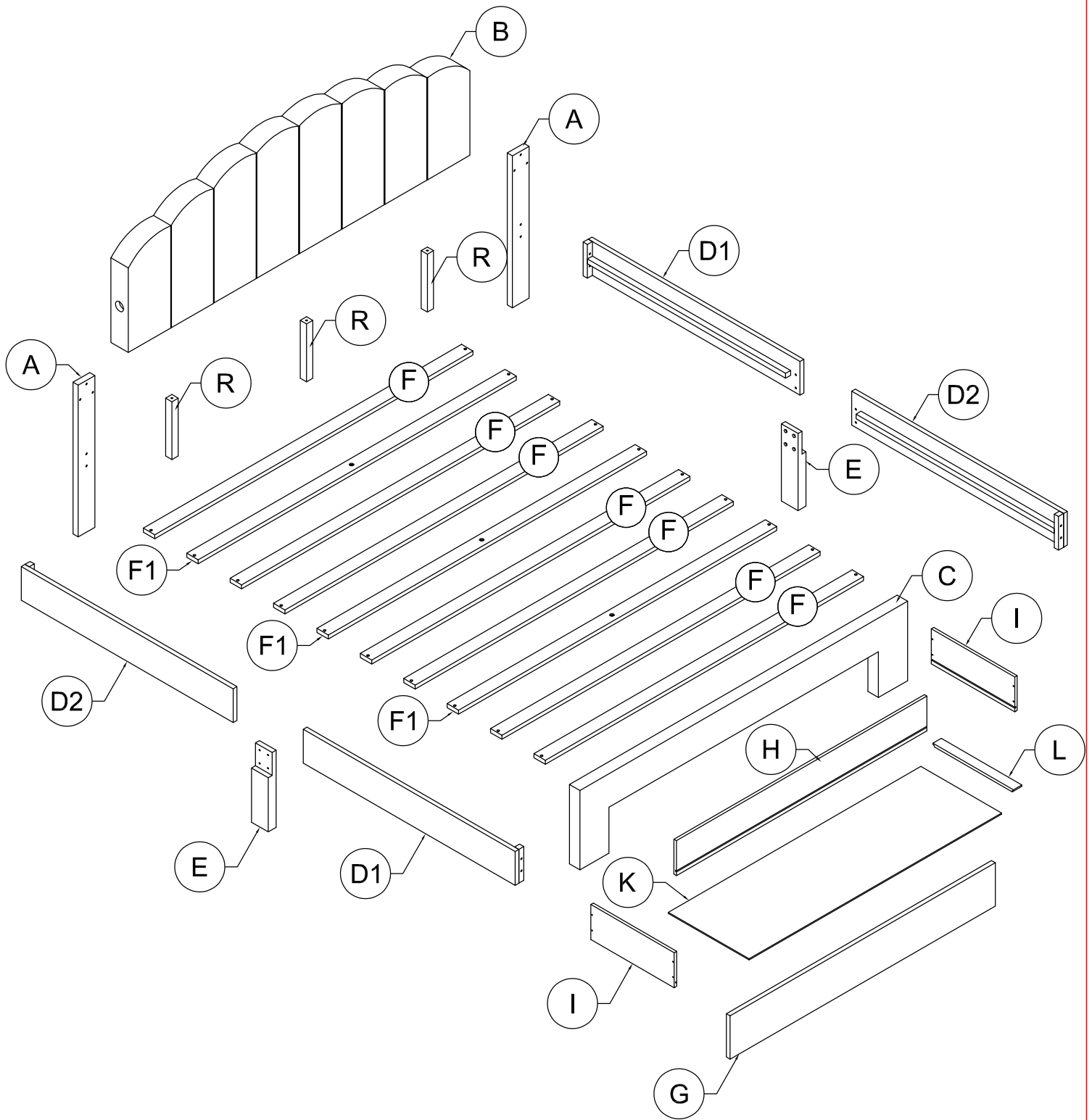


# ASSEMBLY INSTRUCTION

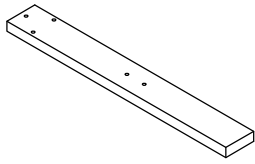


# ASSEMBLY INSTRUCTION



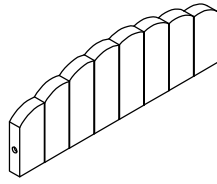
# Part List

A



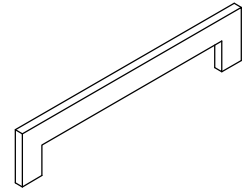
Leg - 2pcs

B



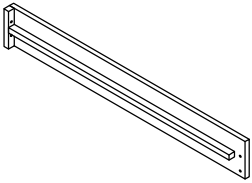
HB Frames - 1pc

C



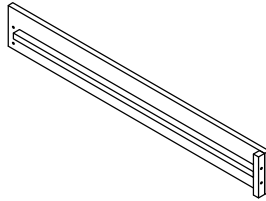
FB Frames - 1pcs

D1



Side Rails - 2pcs

D2



Side Rails - 2pcs

E



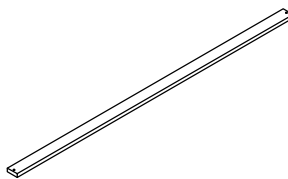
Side Leg - 2pcs

R



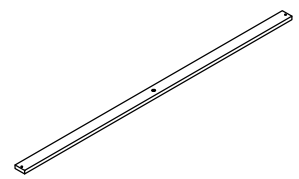
Support Leg - 3pcs

F



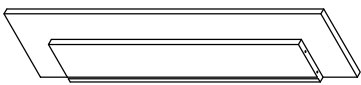
Slats - 7pcs

F1



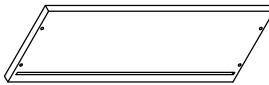
Slats - 3pcs

G



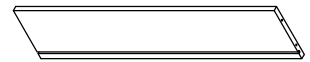
Drawers - Font Panel - 1pc

I



Drawers - Side Panel - 2pcs

H



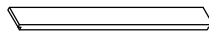
Drawers - Back Panel - 1pc

K



Drawers - Bottom Panel - 1pc

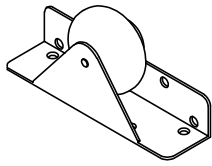
L



Drawers - Support Bottom - 1pc

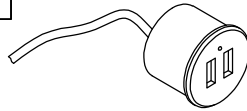
# Hardware List

1



Wheels 4pcs

2



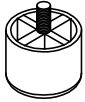
USB  
1pc

3



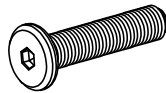
Allen Key 1pcs

4



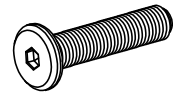
Plastic Feet(Ø50x40)  
2pcs

5



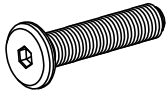
1/4" x 30mm  
Hex-Head bolts 3pcs

6



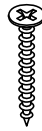
1/4" x 40mm  
Hex-Head bolts 14pcs

7



1/4" x 50mm  
Hex-Head bolts 8pcs

8

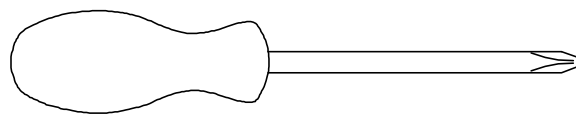


M4 x 30 mm  
Wood Screws 28pcs

9

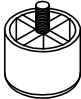


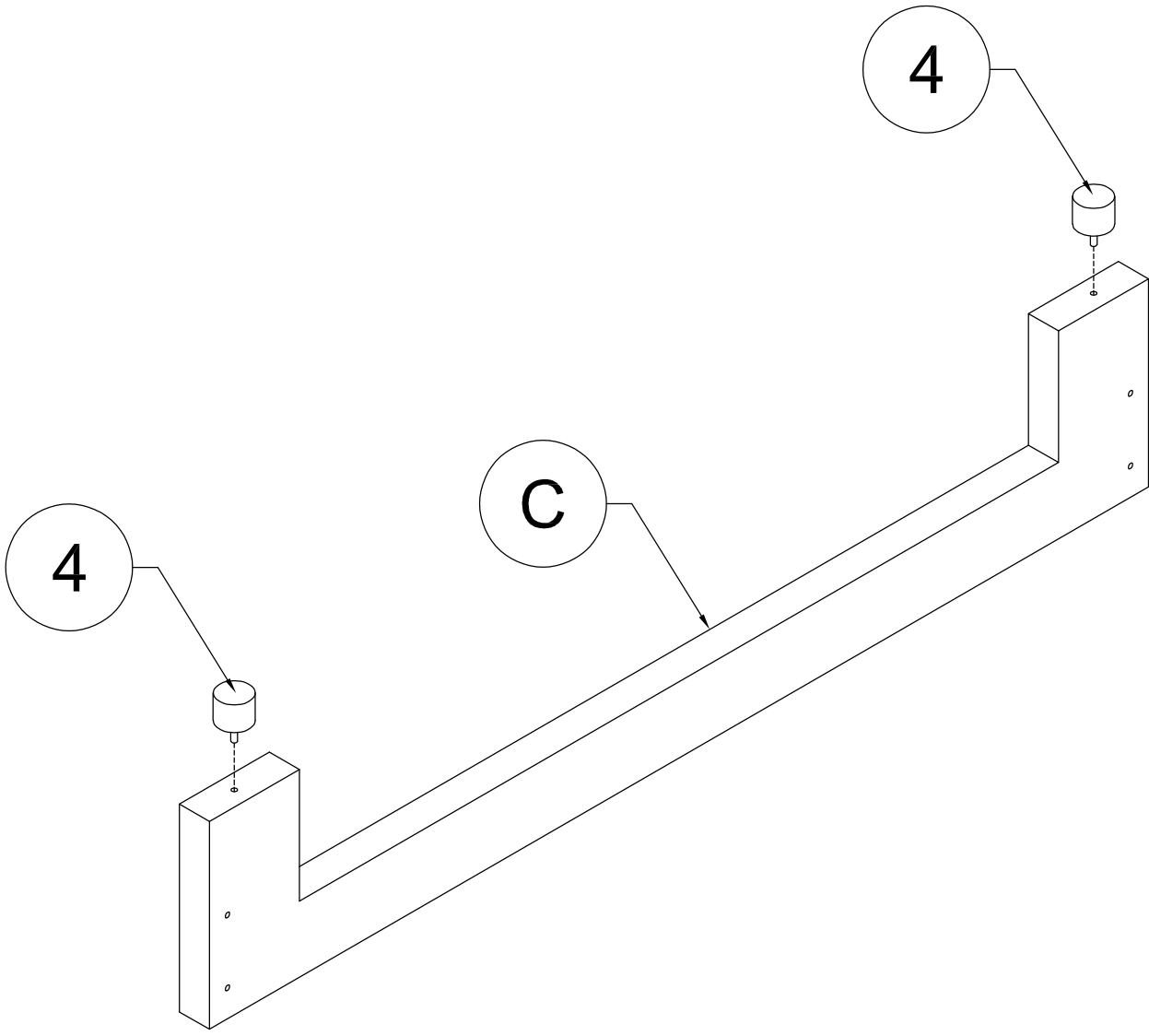
M4 x 15 mm  
Wood Screws 8pcs




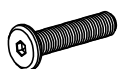
**Assembly Tools Required (Not Included)**

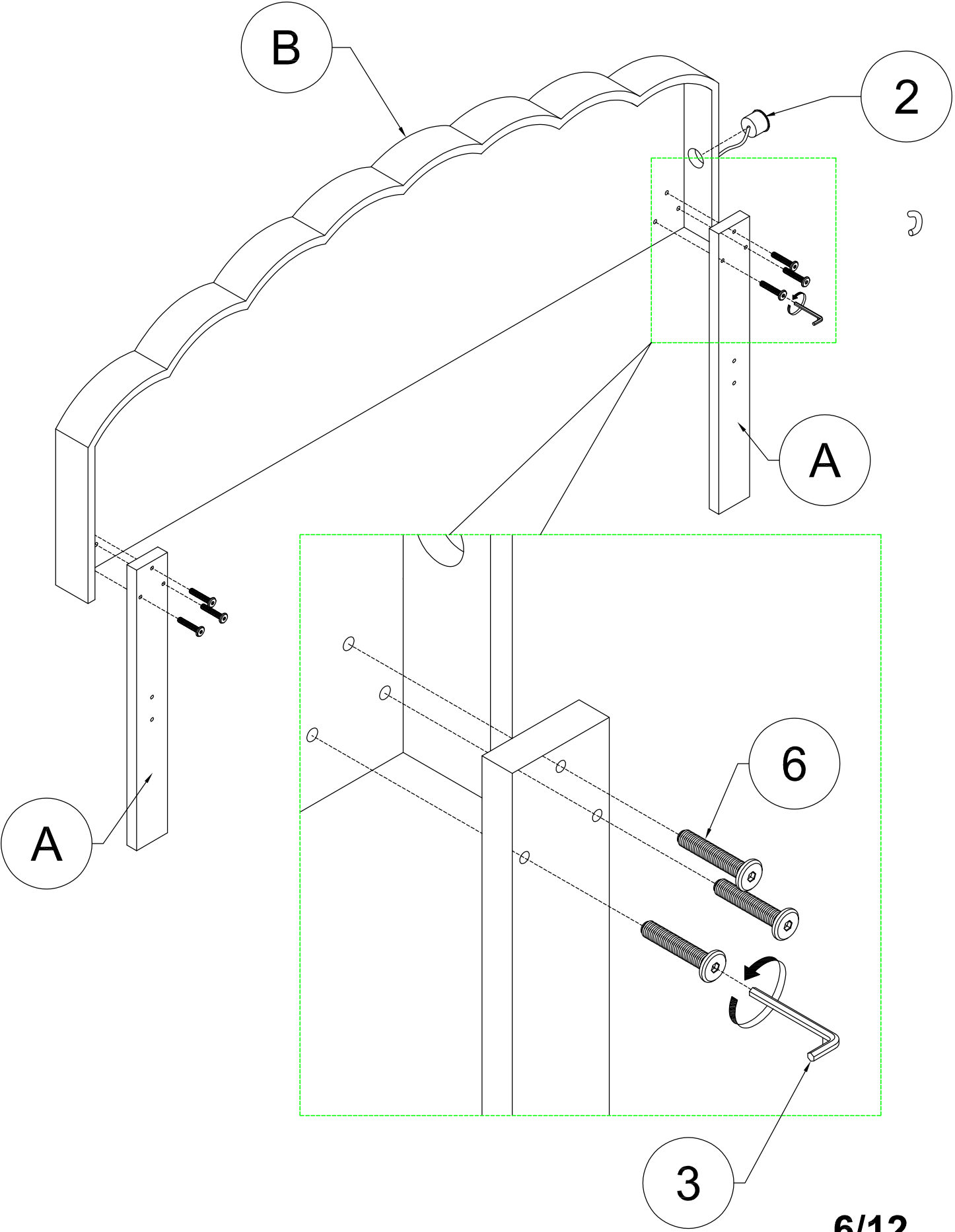
**STEP 1:** Following below illustration:

4	
2pcs	




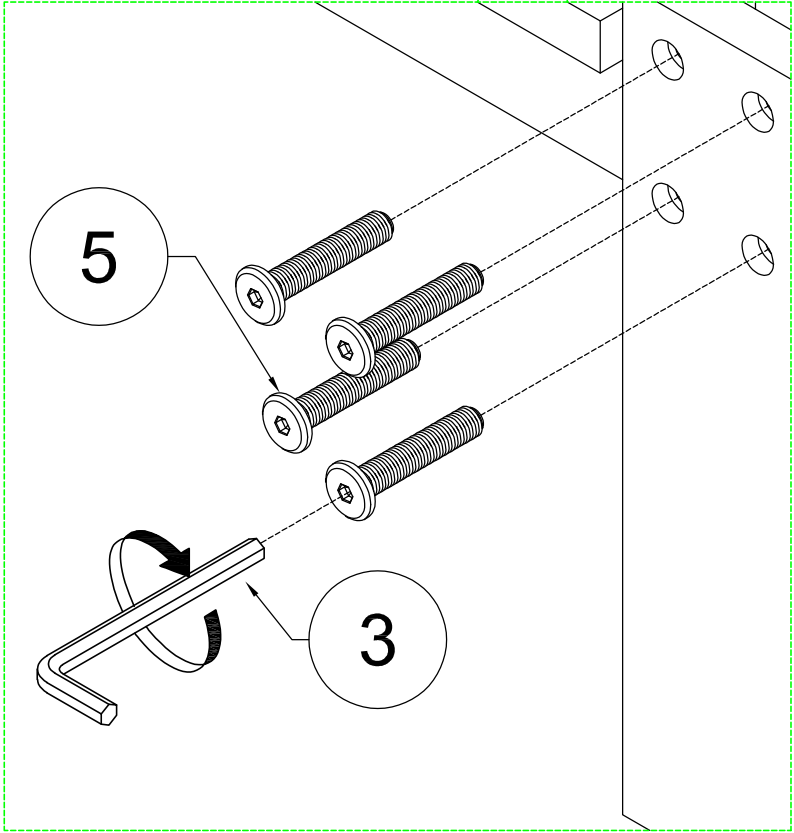
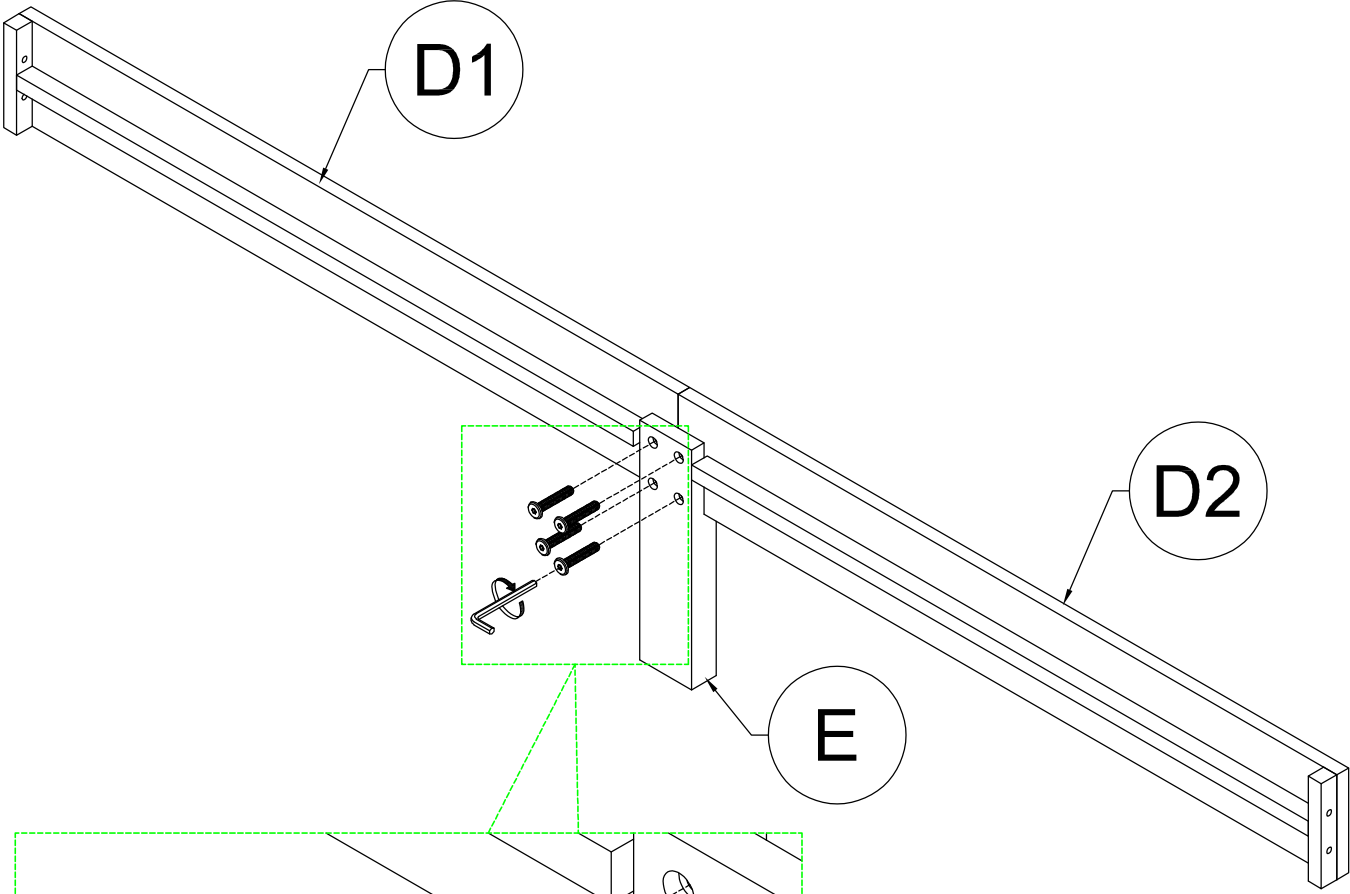
**STEP 2:** Following below illustration:

2	6
	
1pc	6pcs

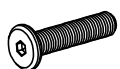


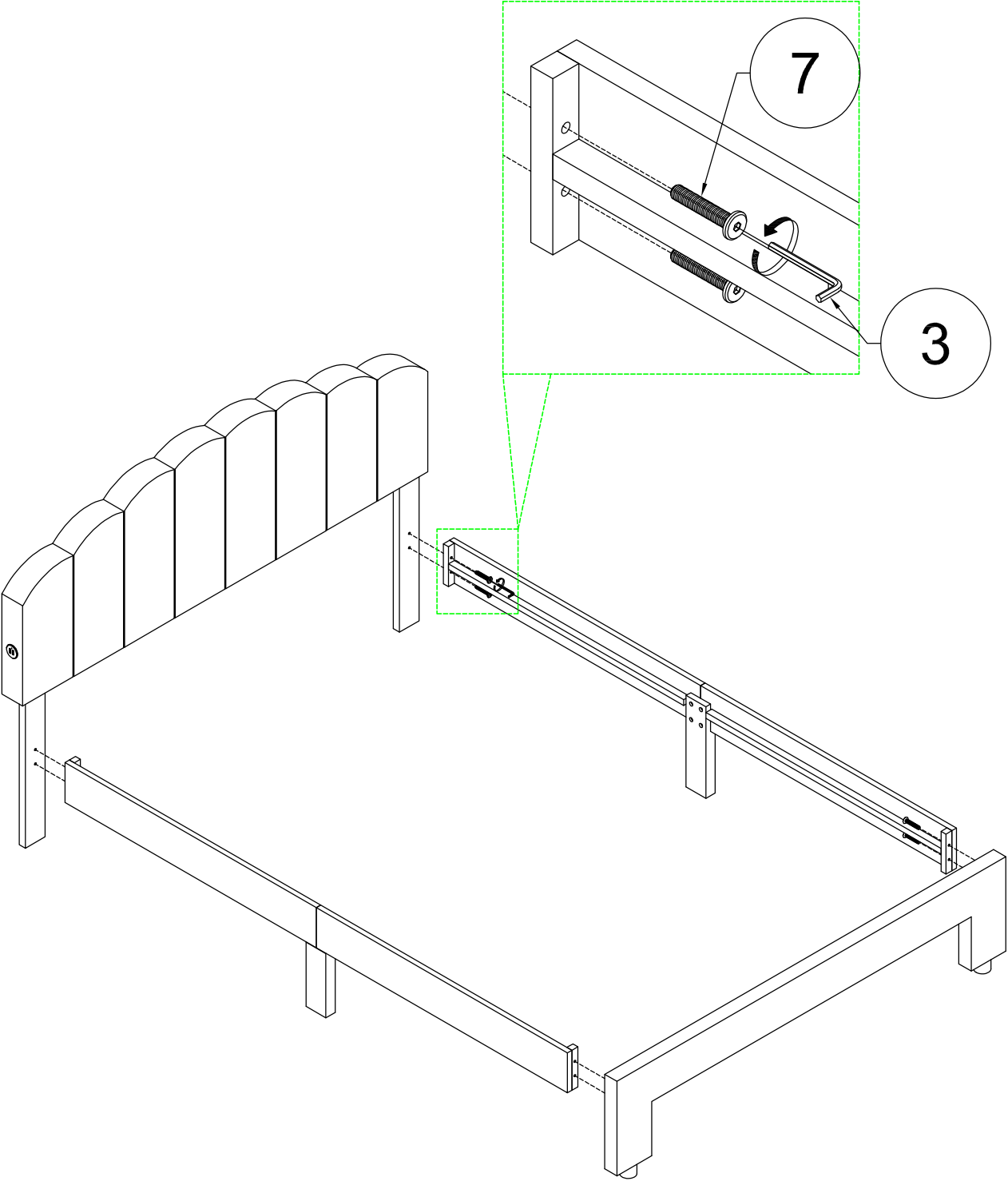
**STEP 3:** Following below illustration:

6

8pcs

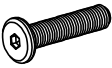



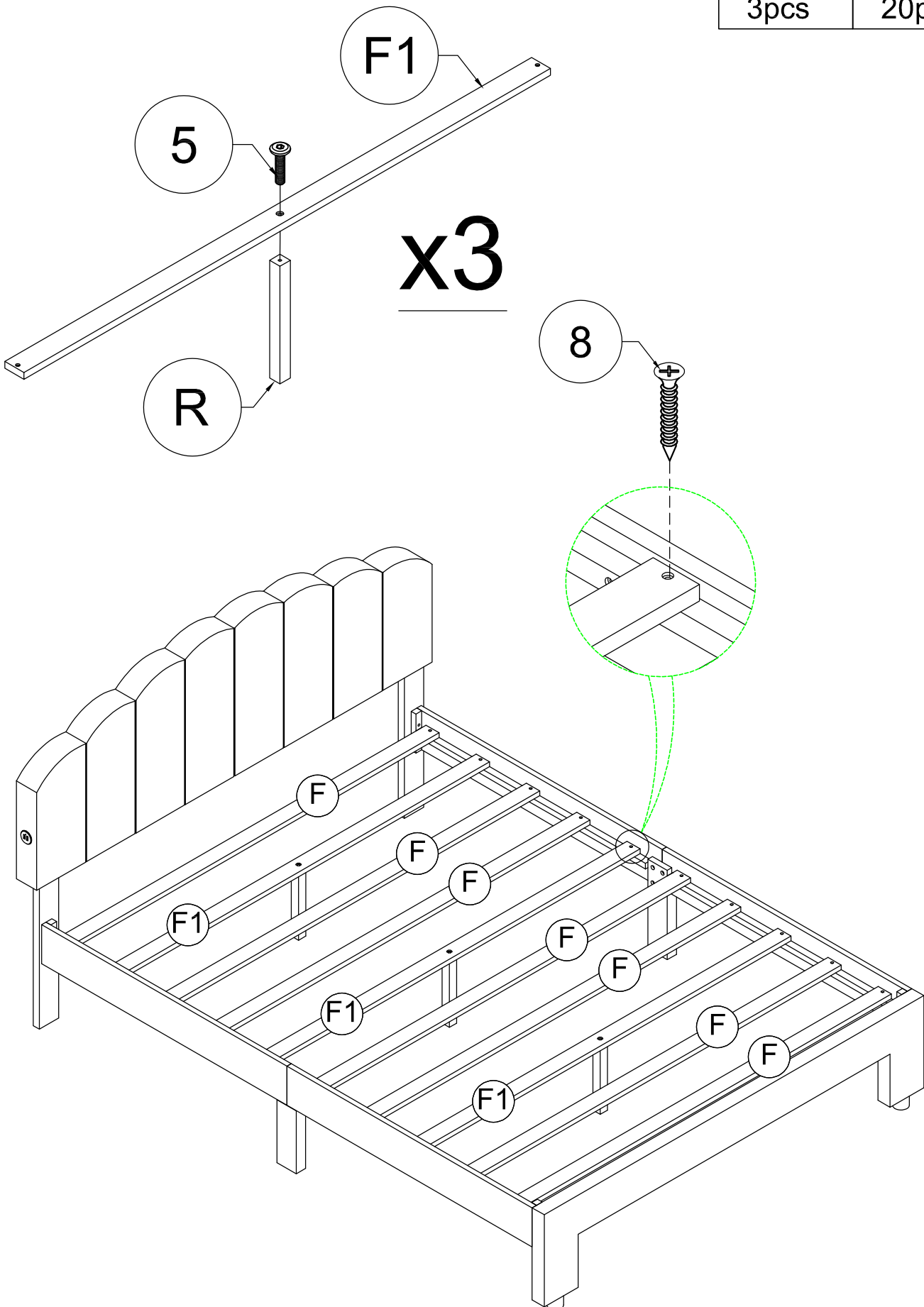
**STEP 4:** Following below illustration:

7

8pcs

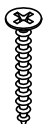


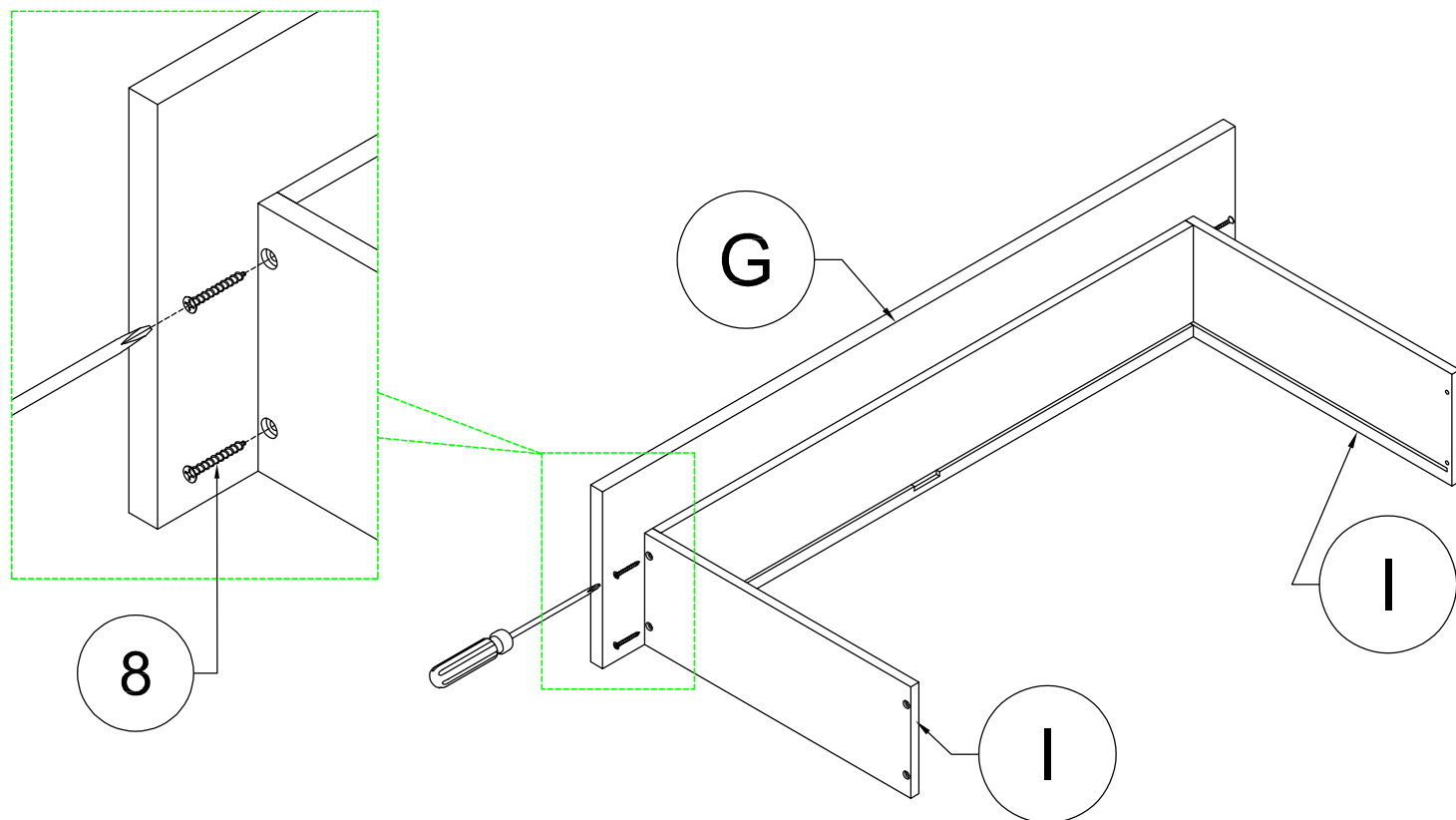
**STEP 5:** Following below illustration:

5	8
	
3pcs	20pcs

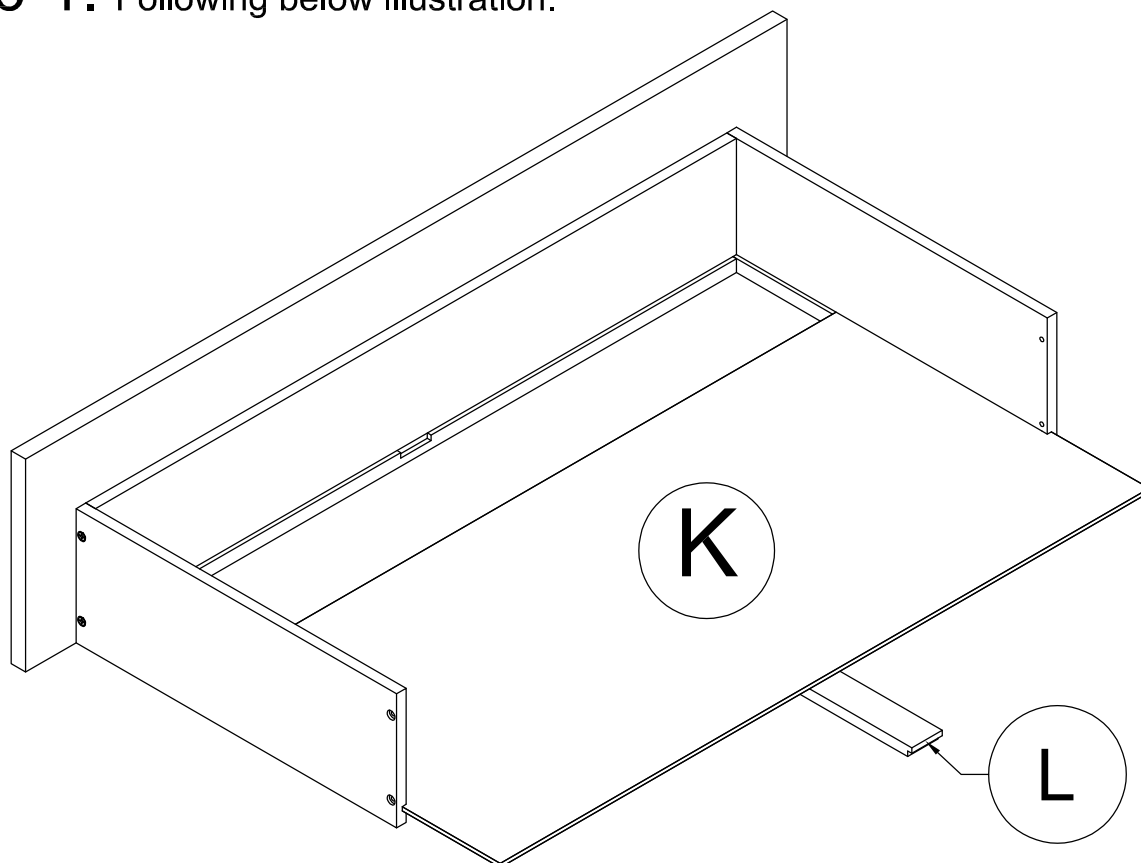


# STEP 6: Following below illustration:

8	
4pcs	

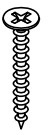


# STEP 6-1: Following below illustration:

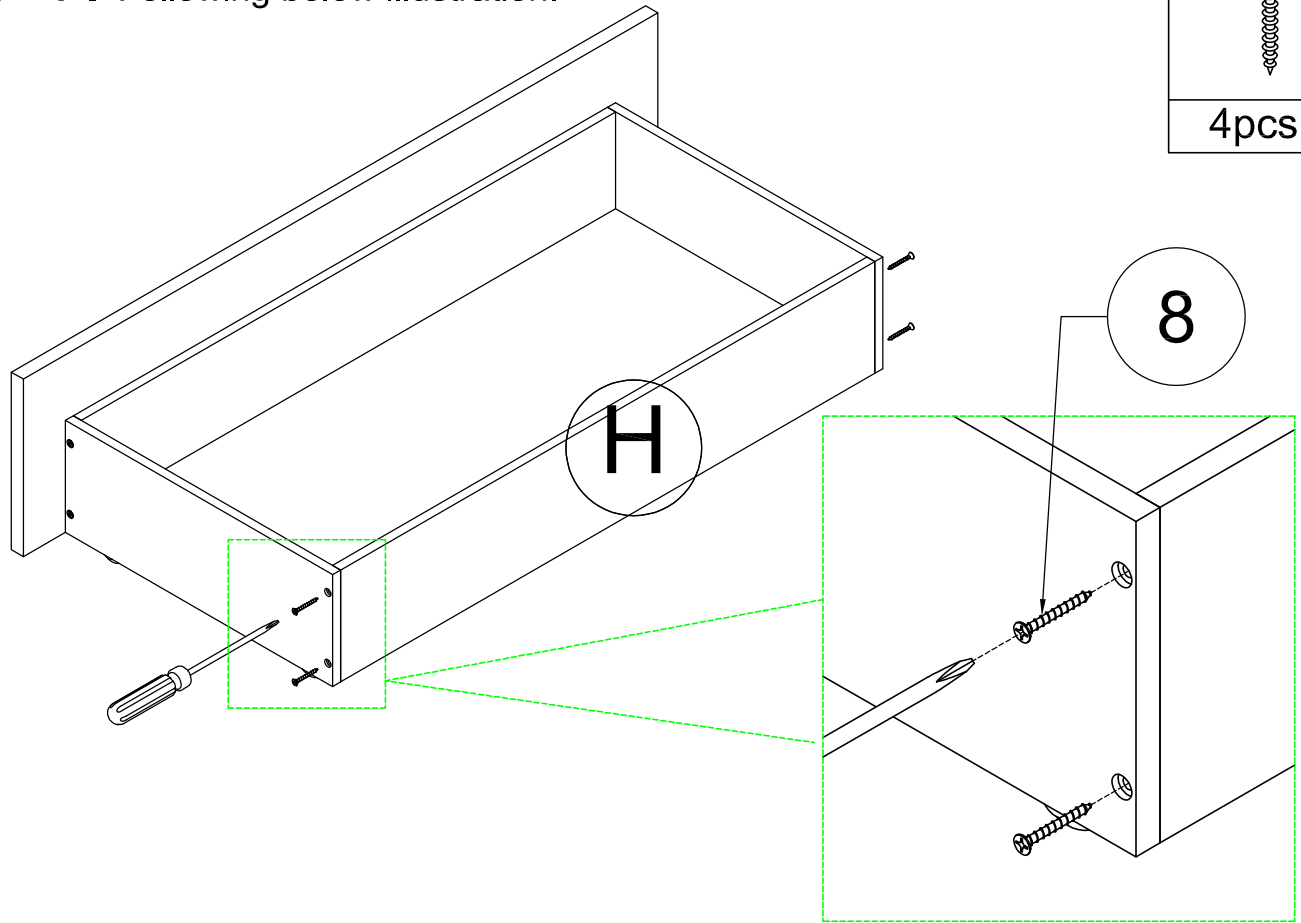


# STEP 7: Following below illustration:

8

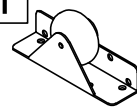


4pcs



# STEP 7-1: Following below illustration:

1

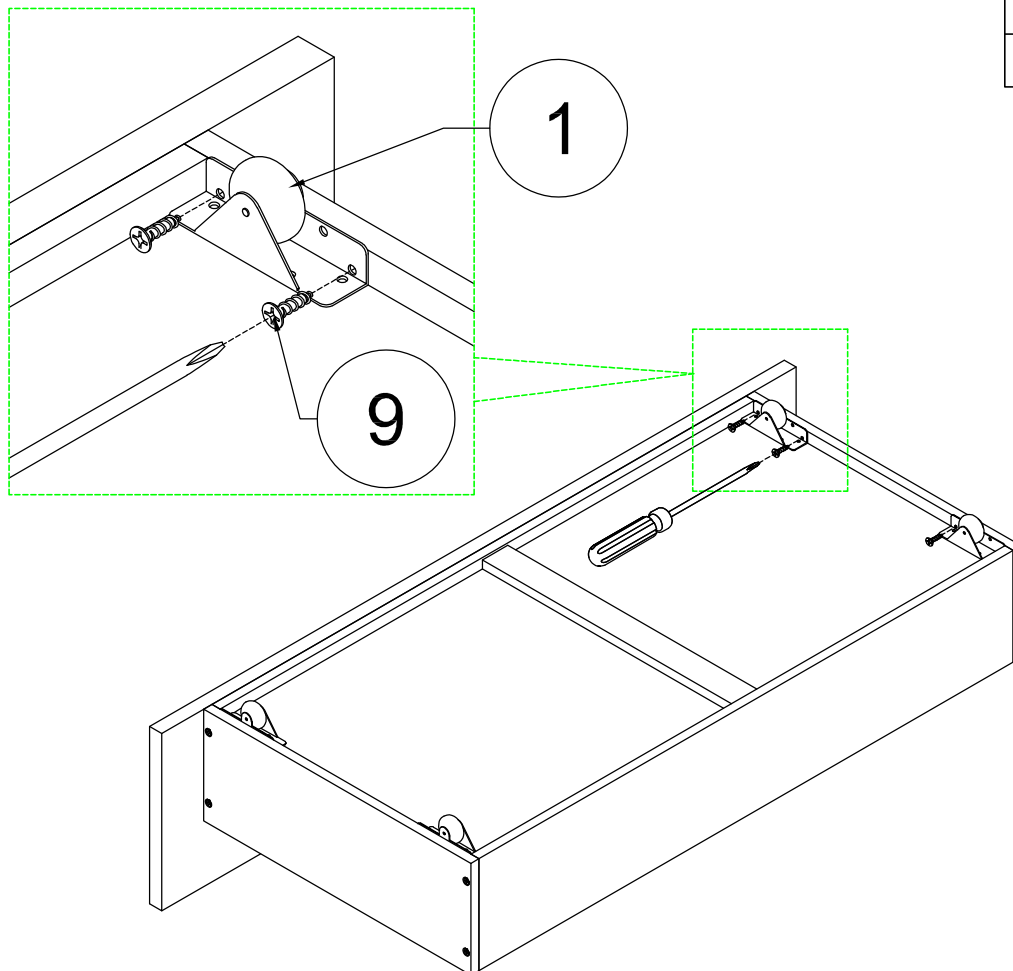


4pcs

9



8pcs



# FINISH

