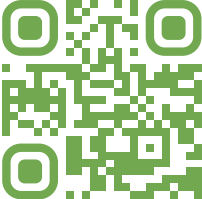





SLS3312PP
Single-Handle Lavatory Faucet
Specification Submittal

Location:

<p>Model Numbers</p>	<p>Feature Highlights</p>
<p><input type="checkbox"/> SLS3312PP Single-Handle Lavatory Faucet with Push-Pop Metal Drain Assembly</p>	<ul style="list-style-type: none"> • Single-hole mount configuration. • Single lever handle operation. • Ceramic disc control cartridge. • 23" braided hose water supply connections. • Standard 1.0 gpm (3.8 L/min) flow rate. • Includes aerator key tool. • Components made from metal and nonmetal materials plated in standard Polished Chrome finish.
<p>Options/Modifications</p>	
<p><input type="checkbox"/> MB Matte Black finish</p>	<p>Warranty</p>
<p><input type="checkbox"/> STN Satin Nickel finish</p>	<p>Limited Lifetime - for residential installations. 10 Years - for commercial/industrial installations. Refer to www.symmons.com/warranty complete warranty information.</p> 
<p>Compliance</p>	
<p>-ASME® A112.18.1/CSA® B125.1. -NSF/ANSI/CAN 61: Q<1, NSF/ANSI 372. -WaterSense® 1.0 gpm. -Lever handle meets ADA requirement for operation.</p>   	

SKU Builder

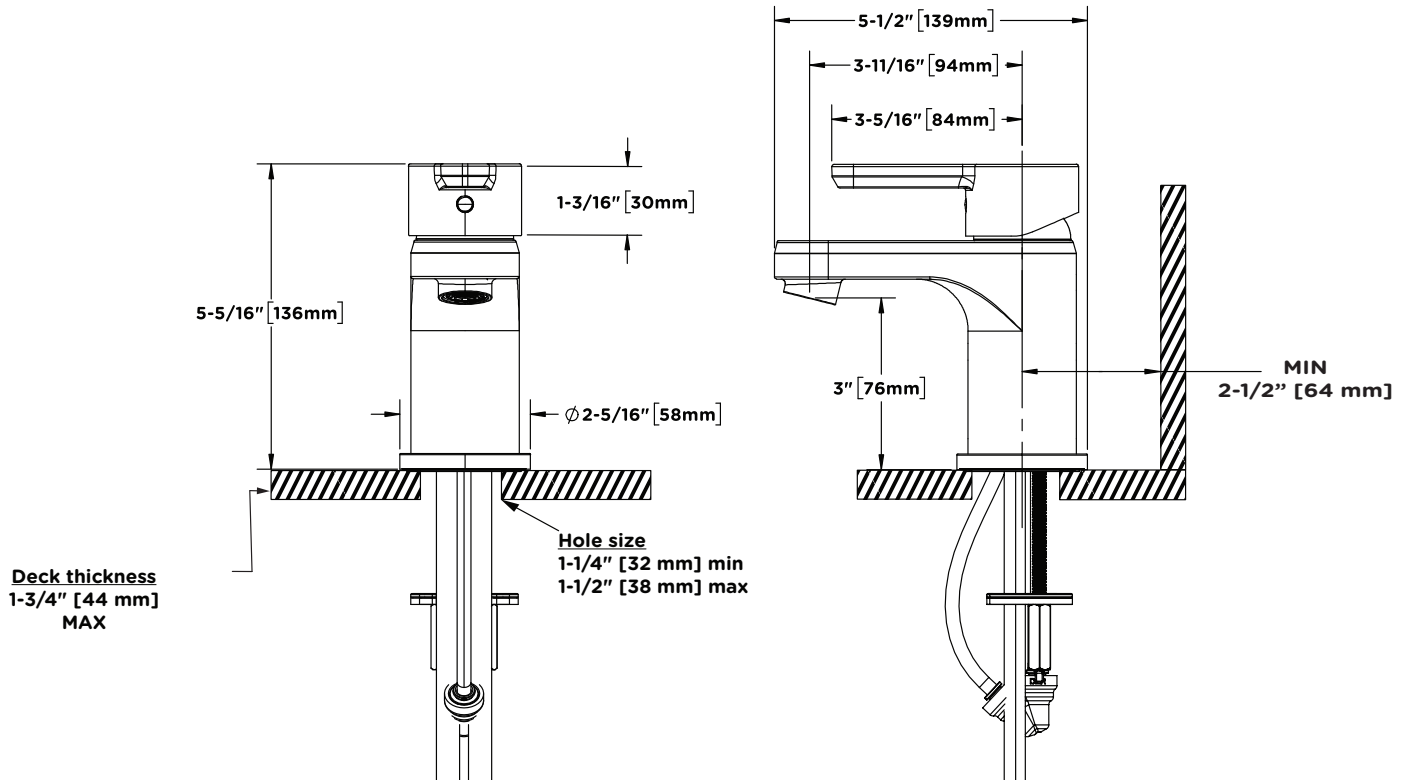
Series	Finish	PP (required)	Final SKU
SLS3312	STN	PP	SLS3312STNPP

Architectural/Engineering Specification

Symmons Solarity Single-Handle Lavatory Faucet _____ Includes single-hole mount configuration, single lever handle operation, ceramic disc control cartridge, 23" braided hose water supply connections, and standard 1.0 gpm (3.8 L/min) flow rate. Components made from metal and nonmetal materials plated in standard Polished Chrome finish. 10-Year Commercial Warranty. ASME A112.18.1/CSA B125.1, NSF/ANSI/CAN 61: Q<1, NSF/ANSI 372, WaterSense® 1.0gpm compliant. Lever handle meets ADA requirements for operation. Available options: MB = Matte Black finish and STN = Satin Nickel finish.

SLS3312PP

Dimensions



Note: Dimensions subject to change without notice.

