

*SPECIFICATIONS*

**FIESTA**



CPS214 Antique  
CPS514 Brushed Nickel

**PRODUCT DETAILS**

- 19" x 7.5" OD (483mm x 191mm)
- 16" x 7" ID (406mm x 178mm)
- Hand hammered 16 gauge recycled copper
- Apron extends 5.5" (140mm) on sides
- 3.5" (89mm) drain opening

**INSTALLATION**

- Undermount

**COORDINATING PRODUCTS**

- Drains: DR320 or DR340

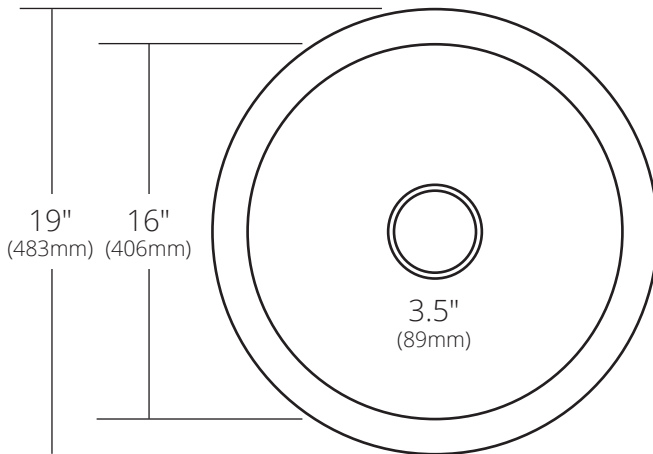
**STANDARDS COMPLIANCE**

- UPC/cUPC compliant

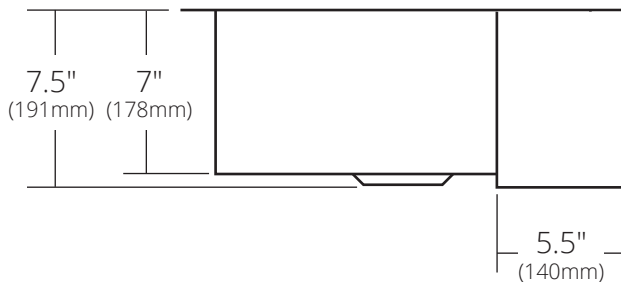
**IMPORTANT**

Due to the handcrafted nature of this product, it will vary in finish, texture, hammering, and other details. Dimensions may vary up to ¼" (6mm). We strongly recommend waiting for the actual product before making any installation cuts.

TOP VIEW



SIDE VIEW



PERSPECTIVE VIEW

