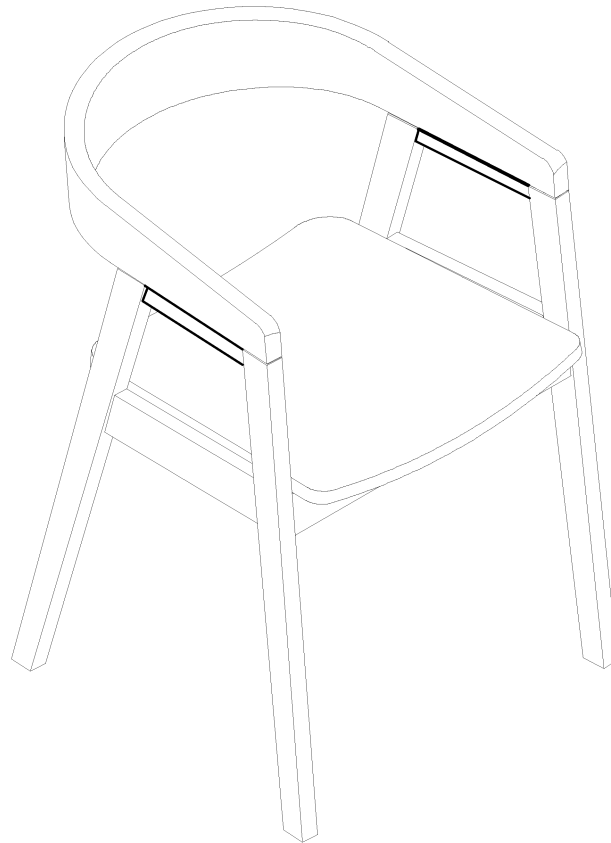


**Instruction Manual**  
**Ella Armchairs Set of 2**

[www.laura-james.co.uk](http://www.laura-james.co.uk)  
1646138.11 - 1646152.11 - 1646145.11



# CONTENTS

---

Safety and care advice	3
Components	4
Assembly instructions	6
Copyright	11

## ⚠ SAFETY AND CARE ADVICE ⚠

PLEASE READ THESE INSTRUCTIONS CAREFULLY AND KEEP FOR FUTURE REFERENCE

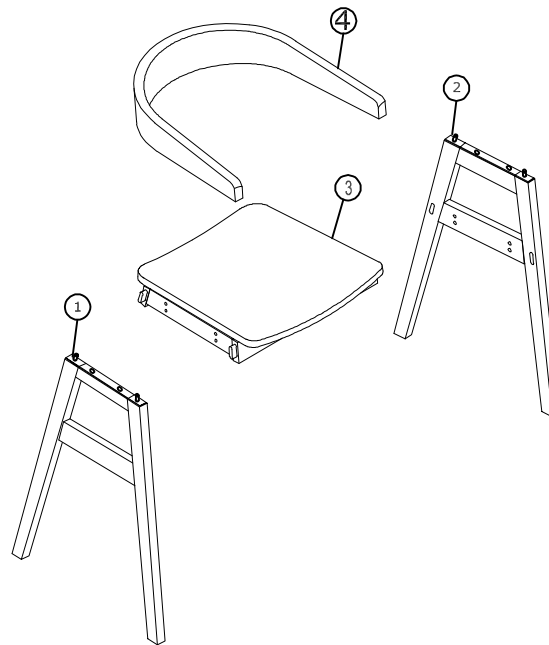
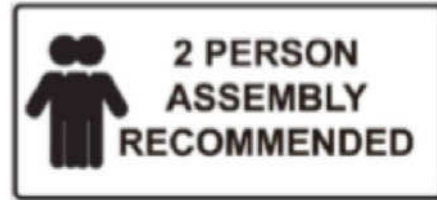
- Warning: Please lift with care.
- Check you have all the components and tools listed on pages 2 and 3.
- Remove all fittings from the plastic bags and separate them into their Groups
- Keep children and animals away from the work area, small parts could choke if swallowed.
- Make sure you have enough space to lay out the parts before starting.
- Do not stand or put weight on the product, this could cause damage.
- Assemble the item as close to its final position (in the same room) as possible.
- Assemble on a soft level surface to avoid damaging the unit or your floor (use opened out unit carton).
- We do not recommend the use of power drill/drivers for inserting screws, as this could damage the unit. Only use hand screwdrivers.
- Dispose of all packaging carefully and responsibly

## CARE AND MAINTENANCE

- Only clean using a damp cloth and mild detergent, do not use bleach or abrasive cleaners.
- From time to time check that there are no loose screws on this unit.
- This product should not be discarded with household waste. Take to your local authority waste disposal center.
- Note: If required the next page can be cut out and used as reference throughout the assembly. Keep this page with these instructions for future reference.

# COMPONENTS

Please check you have all the panels listed below:



1 Left Leg Frame	x1
2 Right Leg Frame	x1
3 Seat Frame	x1
4 Back Panel	x1

# ASSEMBLY INSTRUCTIONS

Please check you have all the panels listed below:

A 

Bolt M6 x 35 = 12

B 

Lock Washer M6 x 10 = 8

C 





Flat Washer M6 x 13 = 8

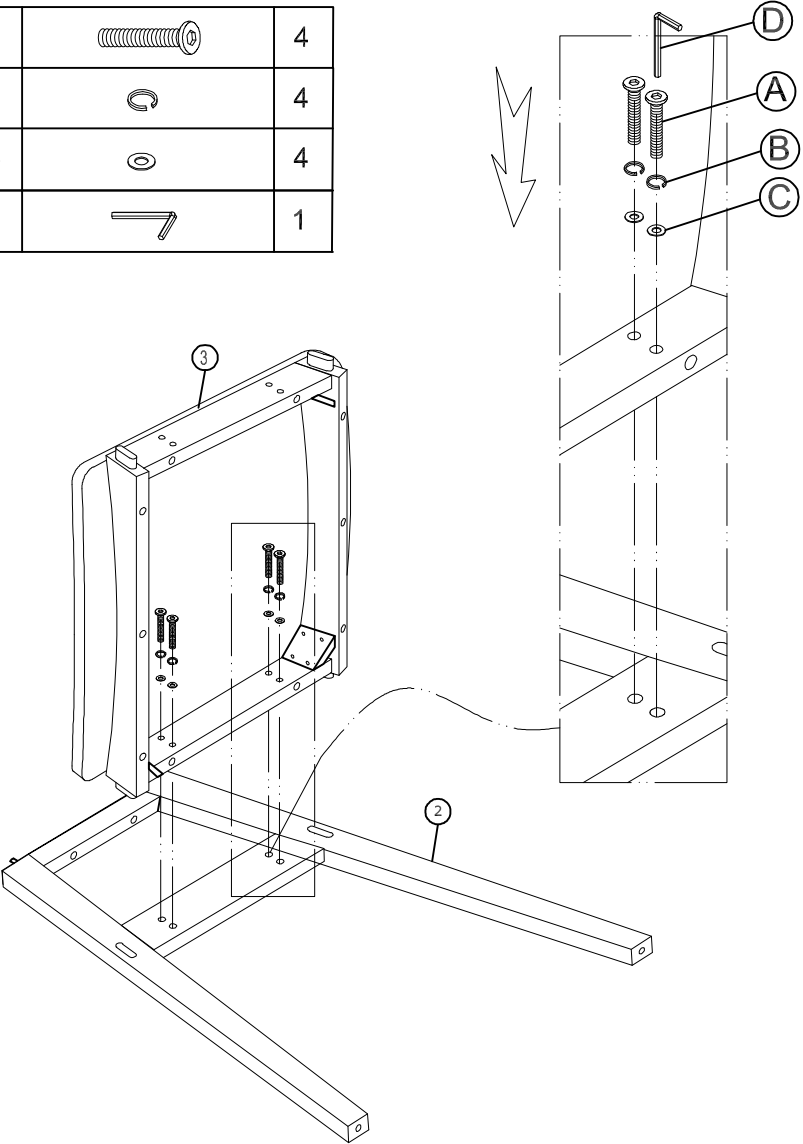
D 

Allen Key 4 x 60 = 1

# ASSEMBLY INSTRUCTIONS





Step 1:

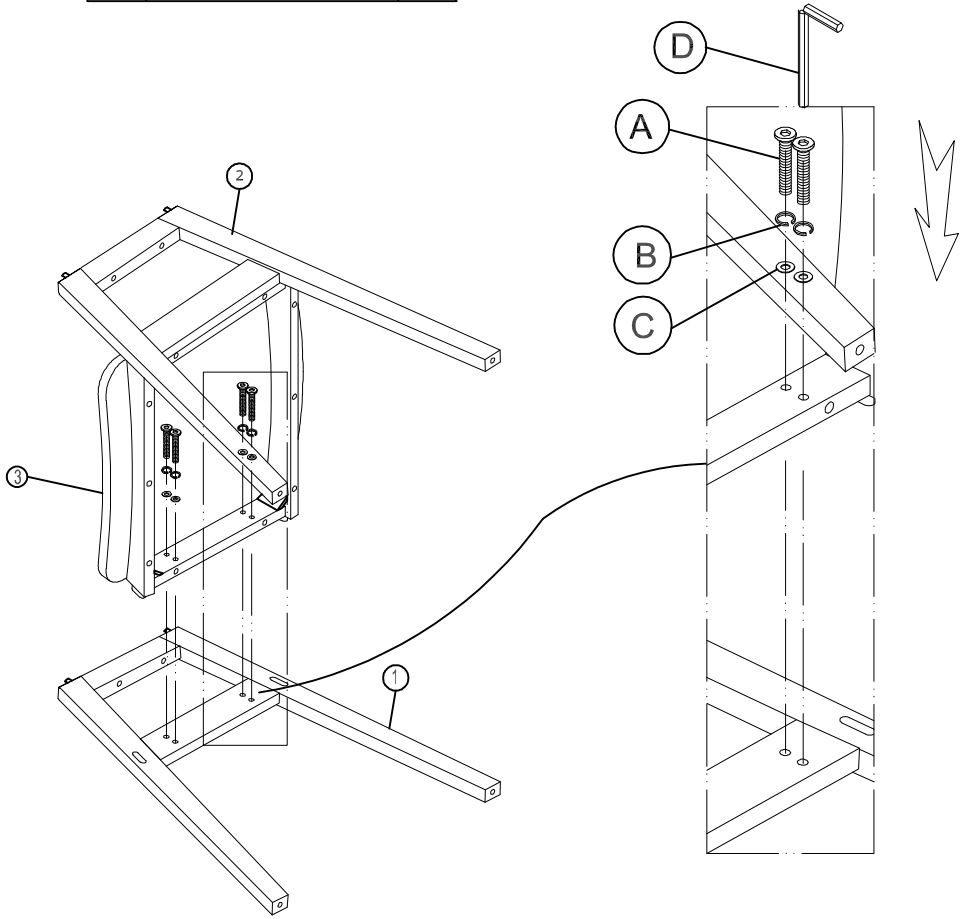
A		4
B		4
C		4
D		1



# ASSEMBLY INSTRUCTIONS



Step 2:

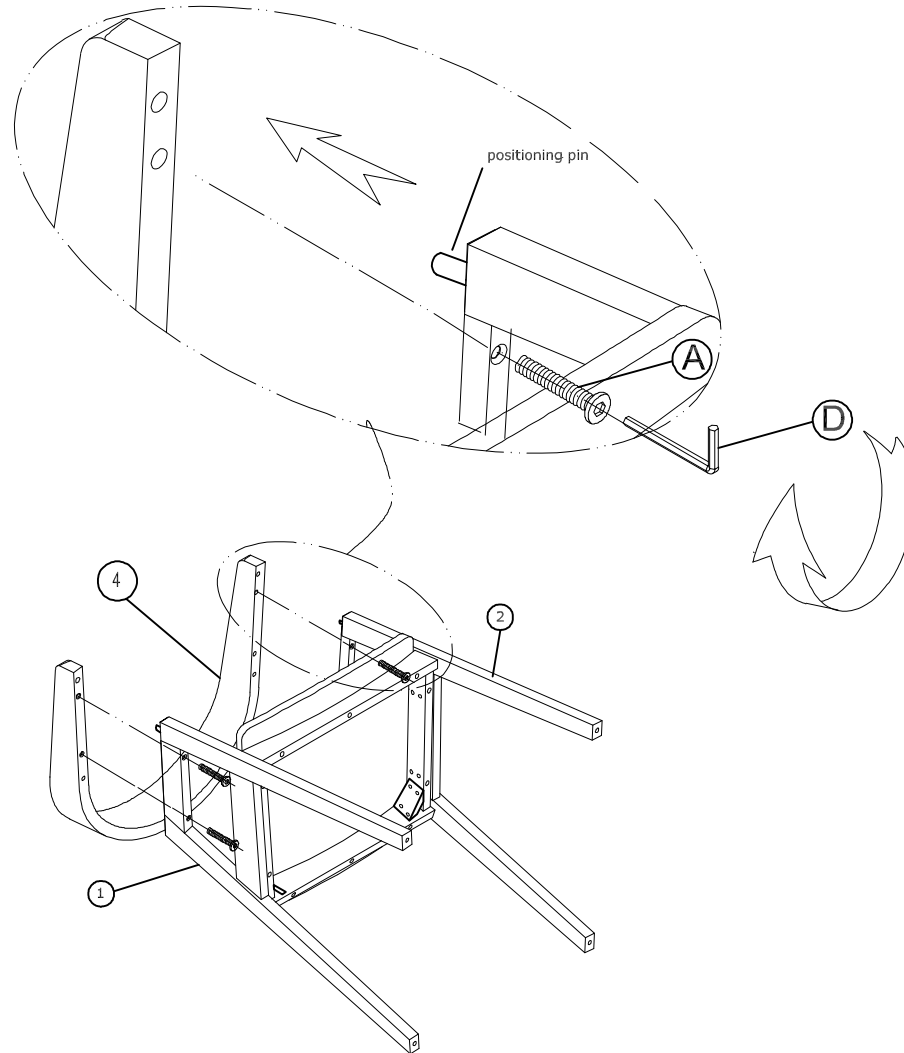
A		4
B		4
C		4
D		1



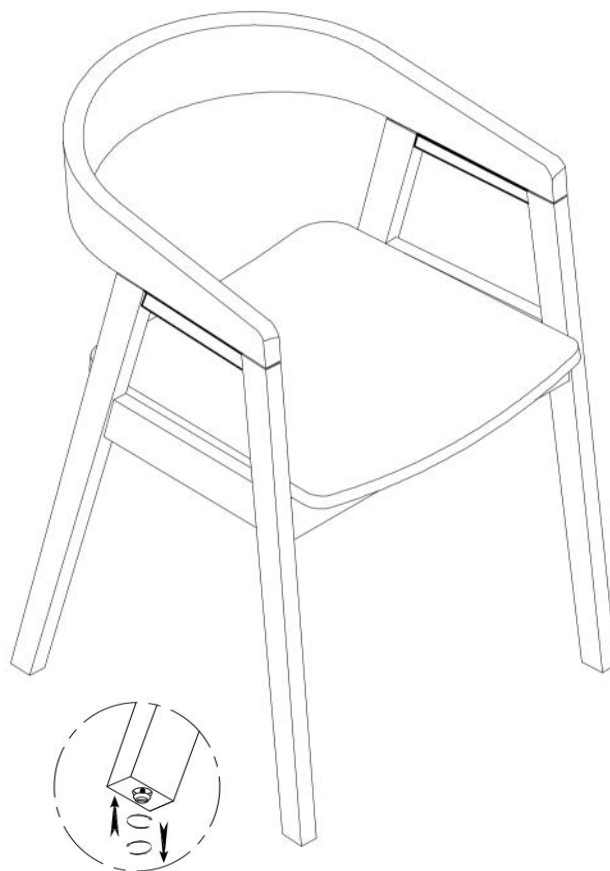
# ASSEMBLY INSTRUCTIONS

Step 3:

A		4
D		1



# ASSEMBLY INSTRUCTIONS



Congratulations! Now you have finished assembling the product.

## IF YOU FIND A DEFECTIVE PART

---

We fully stock all parts and components. Any defective part can be quickly replaced. Take note of the defective part number in manual and we will arrange a quick replacement.

You can email our team at [customercare@laura-james.co.uk](mailto:customercare@laura-james.co.uk)

## COPYRIGHT

---

All material in this instruction manual is copyrighted by AGTC Ltd.  
Any unauthorised use may violate worldwide copyright, trademark and other laws

# ASSEMBLY INSTRUCTIONS

---

Thank you for purchasing!

Laura James® is a registered trademark of AGTC Ltd.  
Made in Vietnam for AGTC LTD S35 9ZX