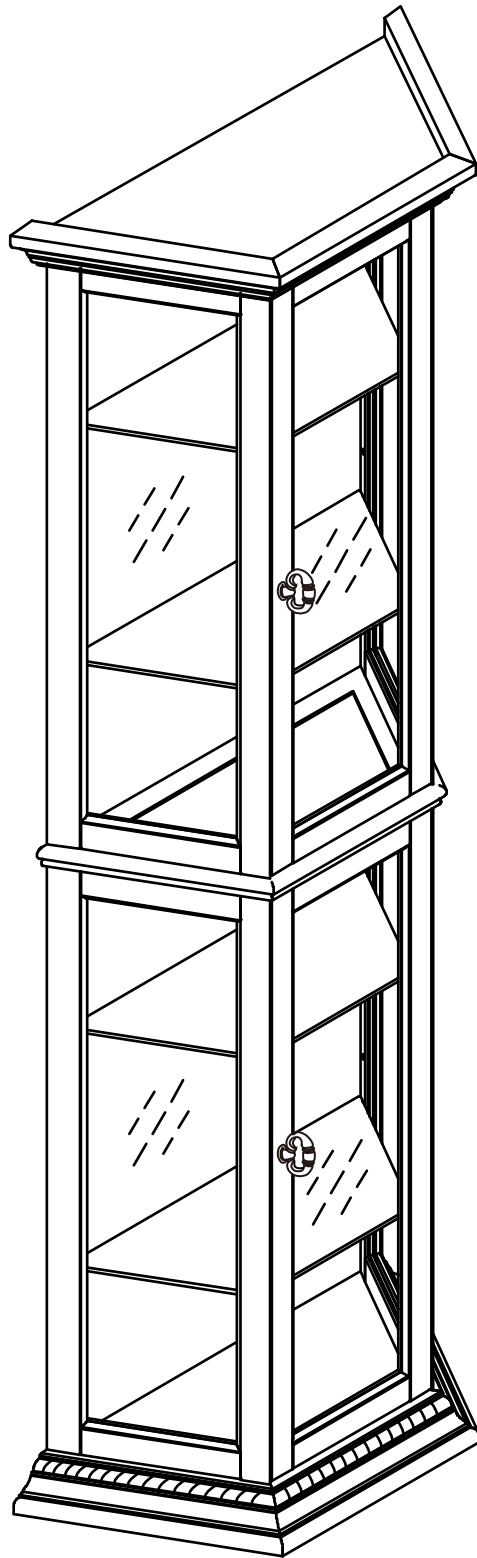


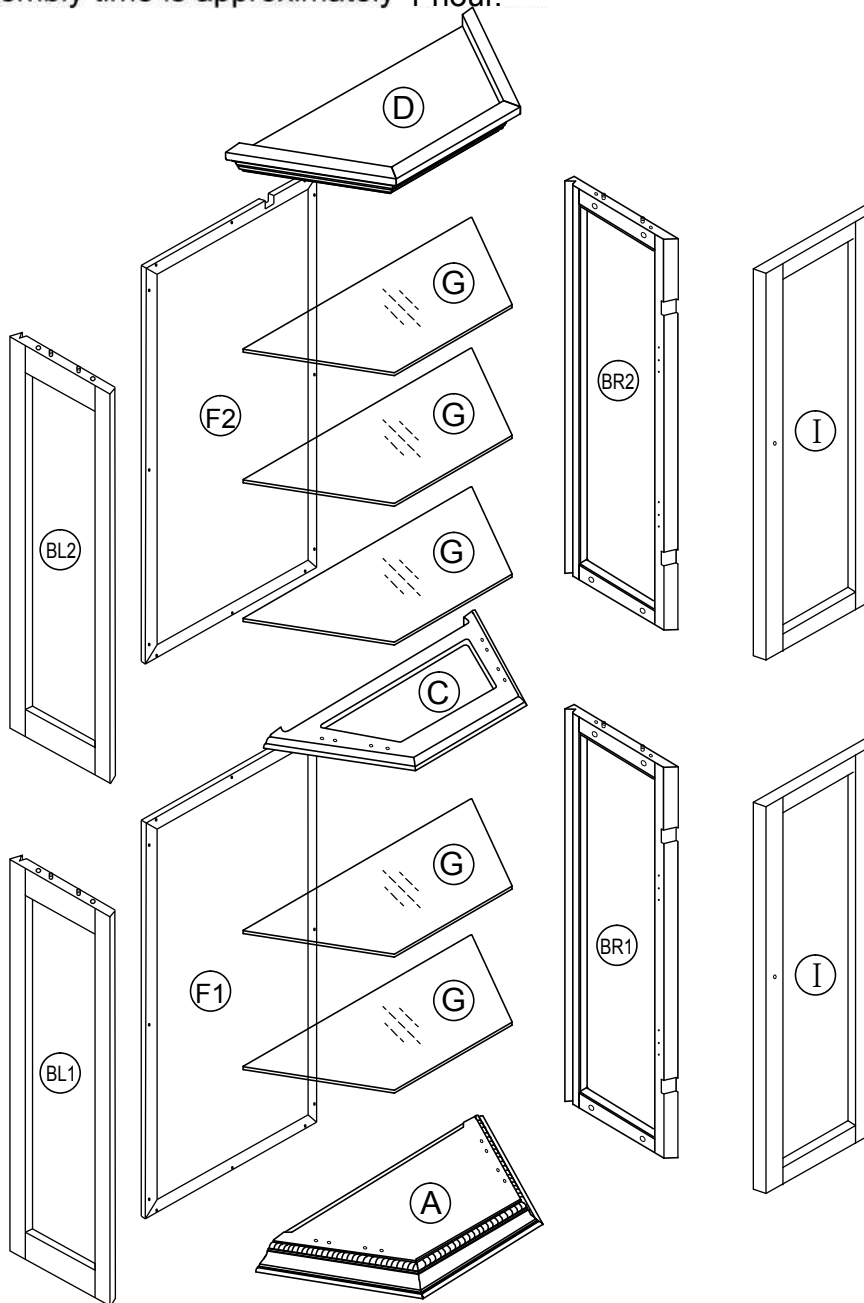
# ASSEMBLY GUIDE



Note: This instruction booklet contains important safety information, please read and keep for future reference.

# PARTS IDENTIFICATION

- Ensure that all parts and components are located before beginning assembly. Parts are labeled to help distinguish similar parts from each other. Use this PARTS IDENTIFICATION to help identify similar parts.
- Assemble on a soft surface to prevent damage to the product finish.
- Two people are needed for assembly.
- Estimated assembly time is approximately 1 hour.

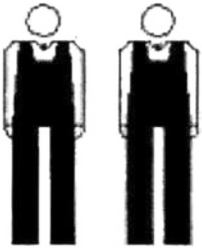


(A) BASE-1PC  
 (BL2) TOP LEFT PANEL-1PC  
 (D) COVER BOARD-1PC  
 (G) SHELF- 5PCS

(BL1) LEFT PANEL-1PC  
 (BR2) TOP RIGHT PANEL-1PC  
 (F1) BACK PANEL-1PC  
 (I) DOOR-2PCS

(BR1) RIGHT PANEL-1PC  
 (C) SHELF BOARD-1PC  
 (F2) TOP BACK PANEL-1PC

# HARDWARE IDENTIFICATION



TOOL REQUIRED

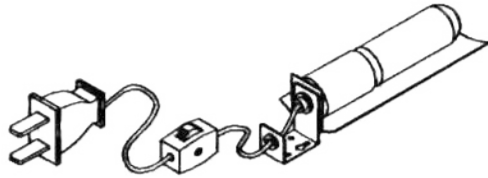


PHILLIPS HEAD  
SCREWDRIVER



SHORT FLAT  
SCREWDRIVER

(R1) LIGHT-1PC



(R2) FLAT HEAD SCREW  
ST2.9X10-2PCS



(R3) FLAT HEAD SCREW  
ST2.9X20-32PCS



(R4) CAM BOLT-16PCS



(R5) CAM LOCK-16PCS



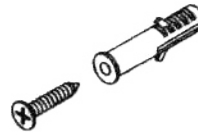
(R6) SHELF SUPPORT STUD  
-16PCS



(R8) FLAT HEAD SCREW  
ST3X14-12PCS



(R9) PLASTIC SCREW ANCHOR  
-1PC



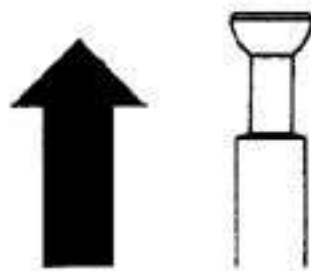
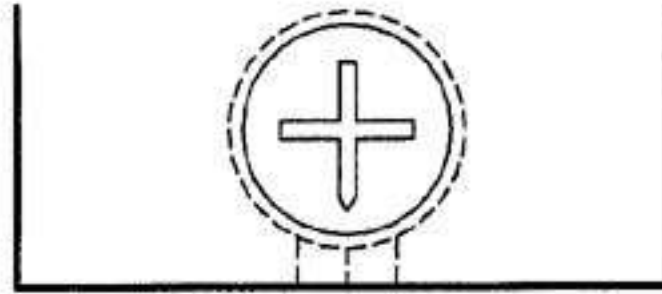
(R10) ADJUSTABLE FOOT-4PCS (R11) DOOR KNOB-2PCS



(R12) FLAT HEAD SCREW  
ST4X22-2PCS



# CAM LOCK SYSTEM



(1)

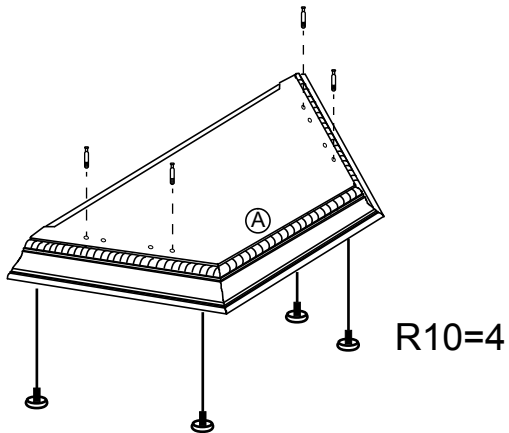
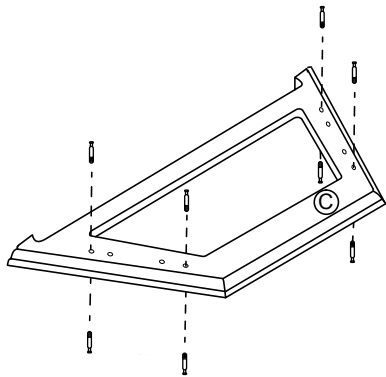
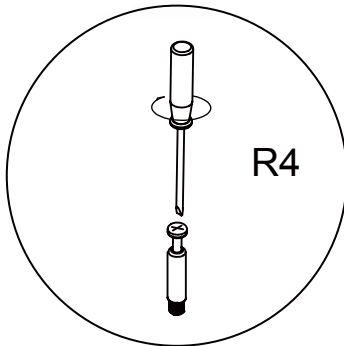
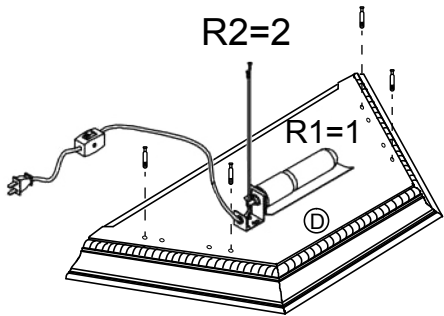
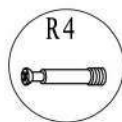
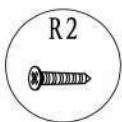
CORRECT



(2)

WRONG

Ensure starting position is correct, adjust cam bolt by pushing or pulling during assembly. Turn clockwise until secure.



(R1)LIGHT-1PC



(R2)FLAT HEAD SCREW  
(ST2.9X10)-2PCS



(R4)CAM BOLT-16PCS



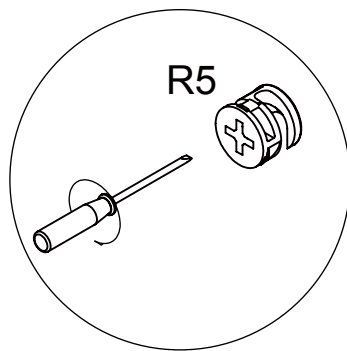
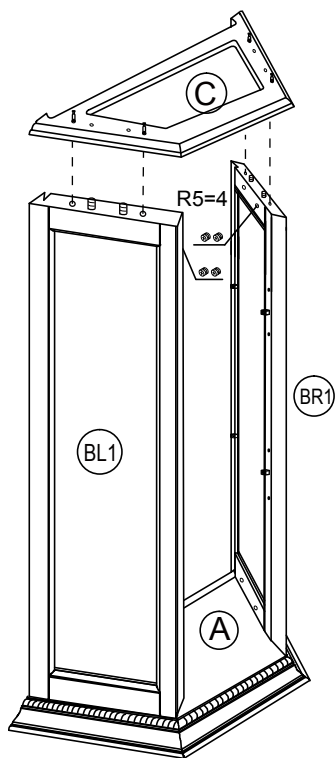
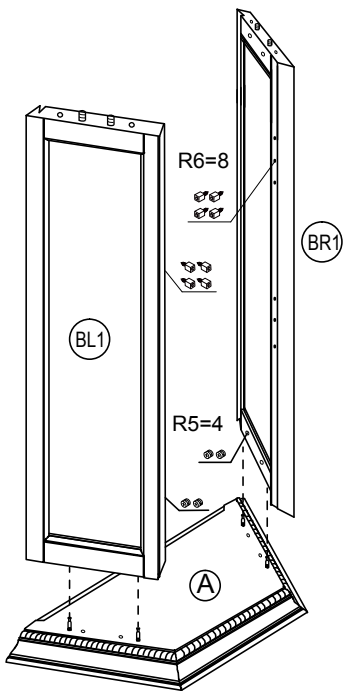
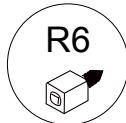
(R10)ADJUSTABLE FOOT-4PCS



1. a)Fasten light R1 to cover board D using 2 flat head screw R2 (ST2.9X10).

b)Fasten 16 cam bolt R4 to cover board D,both sides of shelf board C, base A.

c)Fasten 4 adjustable foot R10 to base A.



(R5)CAM LOCK-8PCS



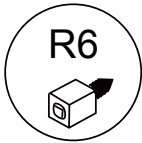
(R6)SHELF SUPPORT STUD  
-8PCS



2.a)Fasten 8 shelf support stud  
R6 to left panel BL1,right  
panel BR1.

b)Fasten left panel BL1,right  
panel BR1 to base A using  
4 cam lock R5.

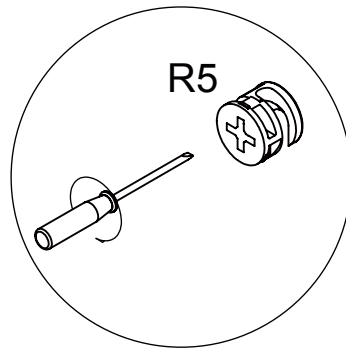
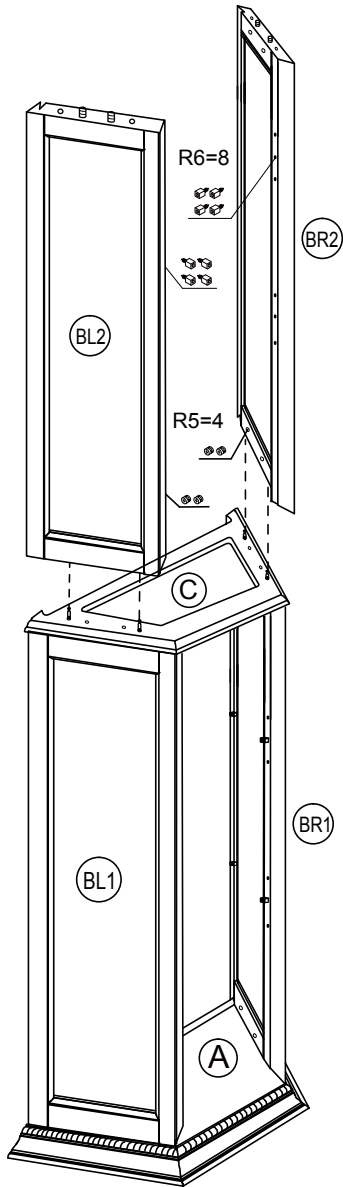
3.a)Insert shelf board C into left  
panel BL1 and right panel  
BR1,then fasten 4 cam lock  
R5.



(R5)CAM LOCK-4PCS

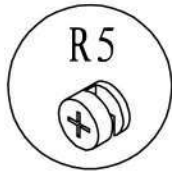


(R6)SHELF SUPPORT STUD  
-8PCS

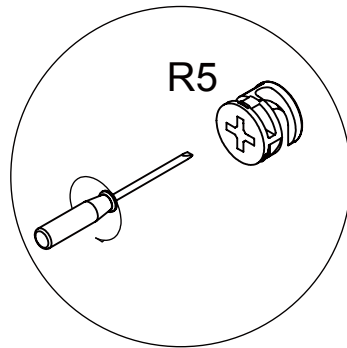
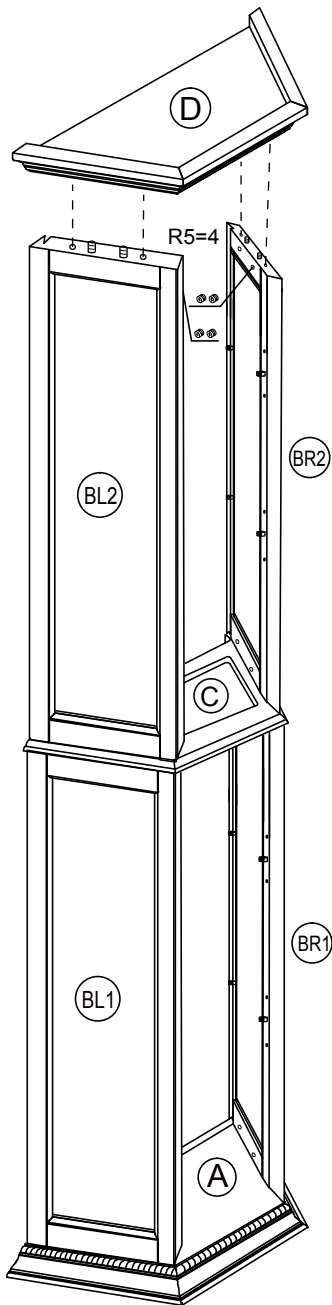


4.a)Fasten 8 shelf support stud  
R6 to top left panel BL2,top  
right panel BR2.

b)Fasten top left panel BL2,  
top right panel BR2 to shelf  
board C,using 4 cam lock R5.



(R5)CAM LOCK-4PCS



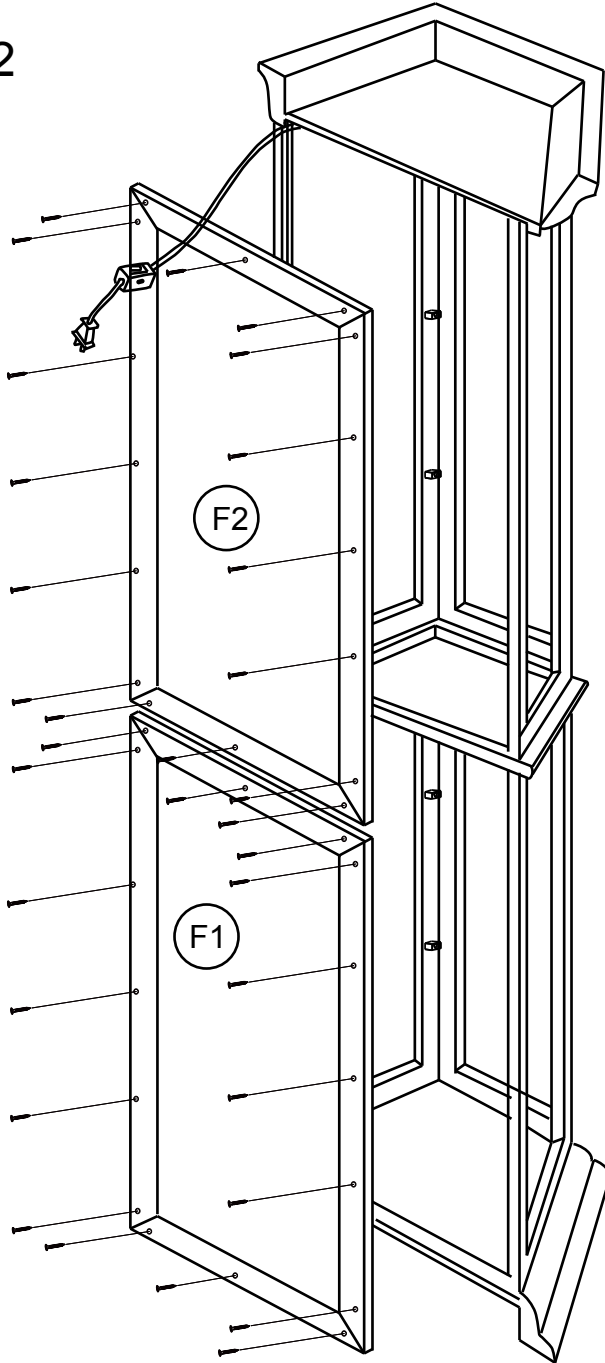
5. a) Insert cover board D to top left panel BL2 and top right panel BR2, then fasten 4 cam lock R5.



(R3)FLAT HEAD SCREW  
(ST2.9X20)-32PCS



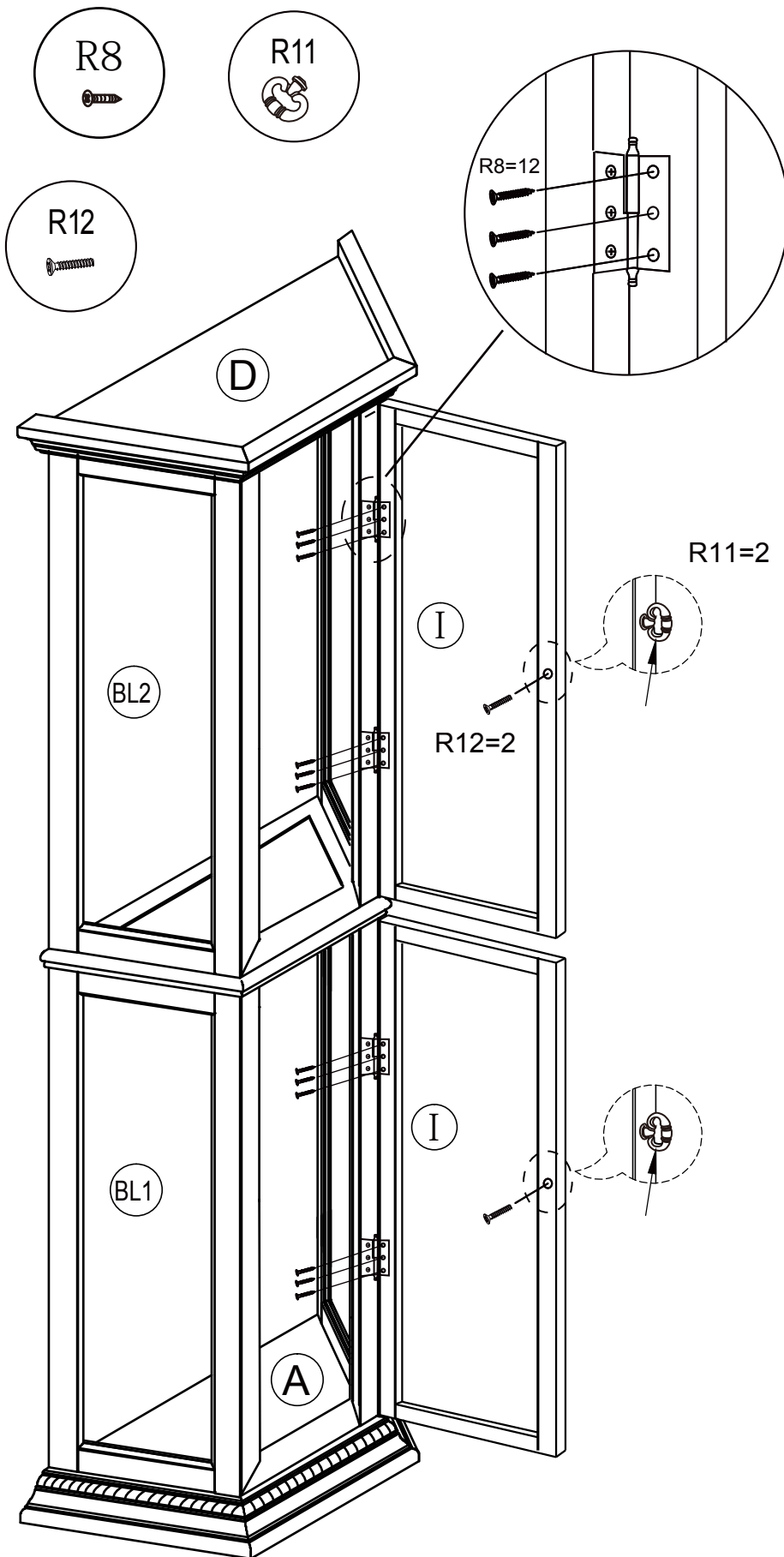
R3=32



6. a)Fasten back panel F1 to left panel BL1,right panel BR1 base A,shelf board C,using 16 flat head screw R3(ST2.9X20).

b) Fasten top back panel F2 to top left panel BL2,top right panel BR2,shelf board C, cover board D,using 16 flat head screw R3(ST2.9X20).

NOTE: the wire of light R1 should get through from the hole on top back panel F2.



(R8) FLAT HEAD SCREW  
ST3X14-12PCS



(R11) DOOR KNOB-2PCS

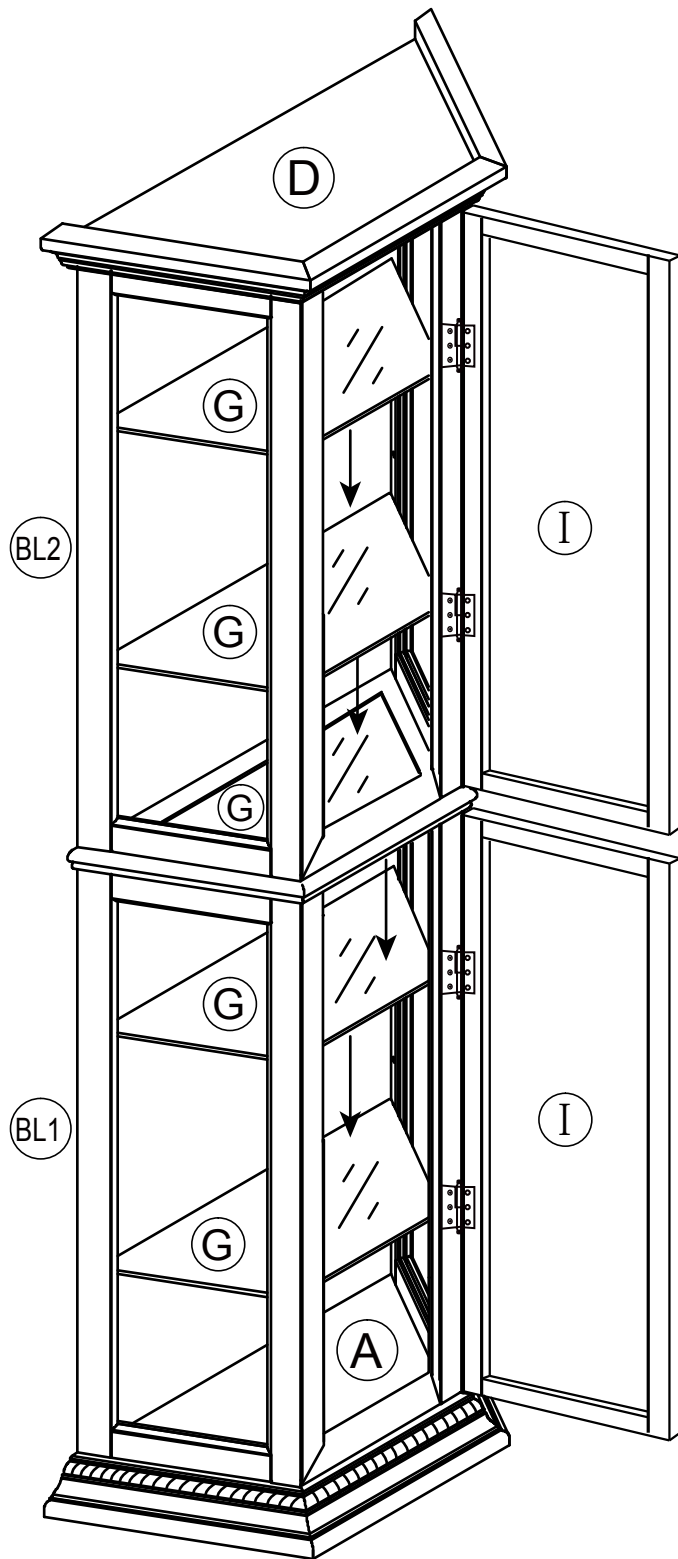


(R12) FLAT HEAD SCREW  
ST4X22-2PCS



7.a) Fasten 2 door I to panel  
BR1 & BR2, using 6 flat  
head screw R8 (ST3X14)  
separately.

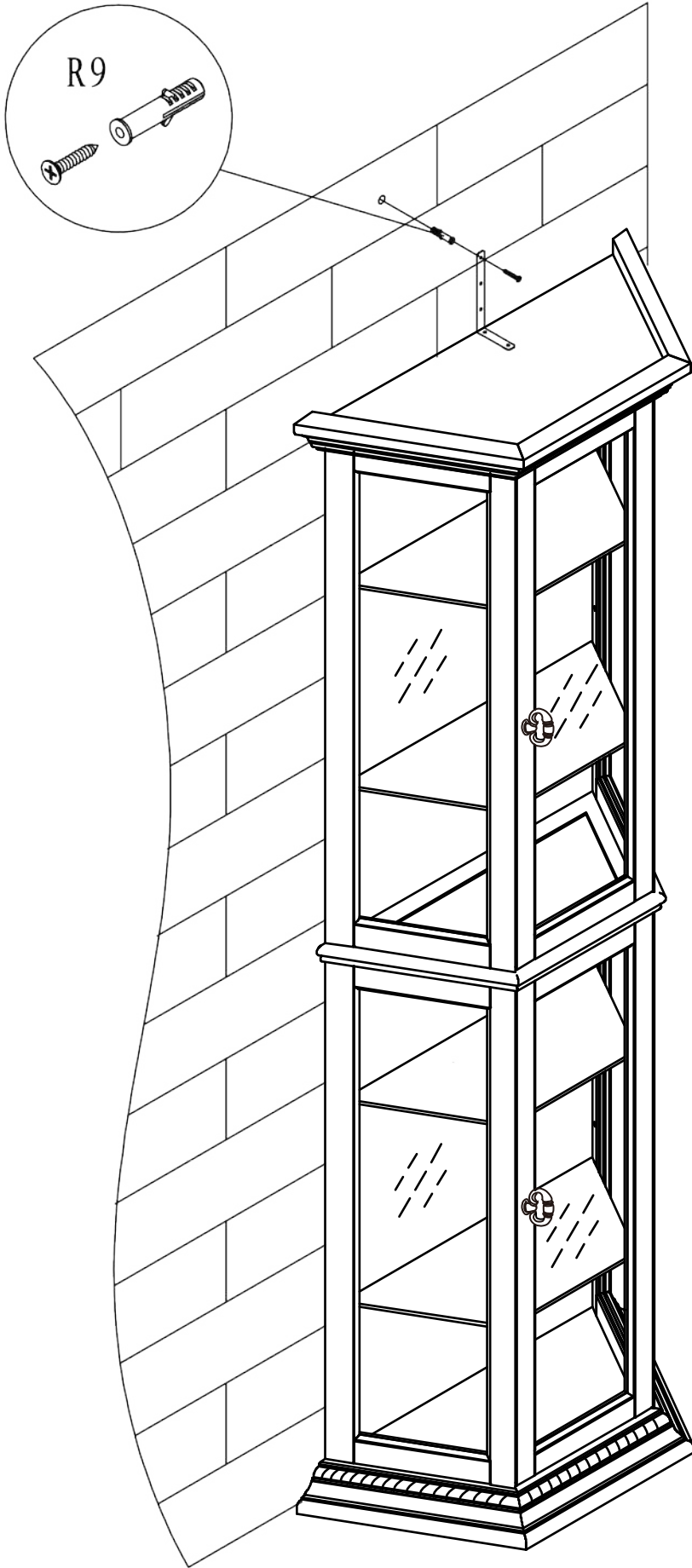
b) Fasten 2 door knob R11 to  
two door I using 2 flat head  
screw R12(ST4X22).



8. a) Put 4 shelf G on shelf support stud.

b) Put 1 shelf G on shelf board C.

Note: Weight on glass shelves should not exceed 4kgs.



(R9) PLASTIC SCREW  
ANCHOR-1PC



9.a) In order to ensure that the cabinet is stable, adjust the adjustable foot under the cabinet. As an added safety feature a support strap on cover board D has been provided. It must be attached to the wall using plastic screw anchor R9.

# Care and Maintenance of your Furniture

- 1.Ensure metal plated hinges are kept dry to avoid rusting.
- 2.Please periodically check all fittings and re-tighten as necessary.
- 3.Wipe occasionally with a soft cloth slightly dampened with water.Then buff with a dry clean soft cloth.
- 4.Never allow any kind of liquid to remain on your furniture. Absorption can cause wood to warp or finishes to de-laminate.