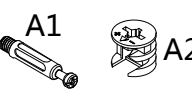
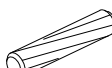
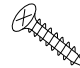



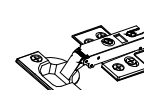

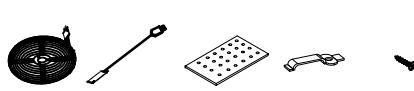
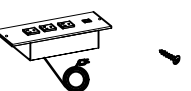
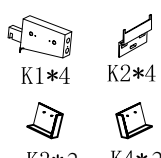


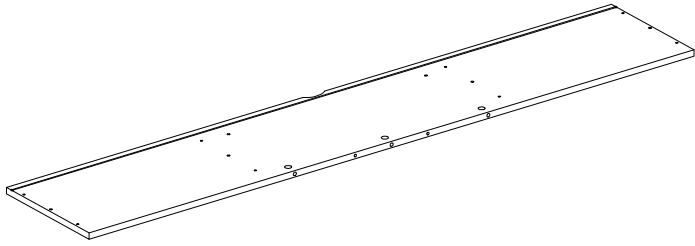


<p>A</p>  <p>A1 A2</p> <p>19PCS</p>	<p>B</p>  <p>10PCS</p>	<p>C</p>  <p>M3.5*14mm 36PCS</p>	<p>D</p>  <p>M3.5*30mm 8PCS</p>	<p>E</p>  <p>M3.5*40mm 8PCS</p>	<p>F</p>  <p>M8*40mm 8PCS</p>	<p>G</p>  <p>L=100mm 4PCS</p>
<p>H</p>  <p>H-1 H-2 H-3</p> <p>2PCS</p>	<p>I</p>  <p>I1 I2 I3 I4*2 I5*2</p> <p>1PC</p>	<p>J</p>  <p>J1*1 J2*2</p> <p>1PC</p>	<p>K</p>  <p>K1*4 K2*4 K3*2 K4*2</p>	<p>L</p>  <p>12PCS</p>	<p>M</p>  <p>∅21mm 19PCS</p>	

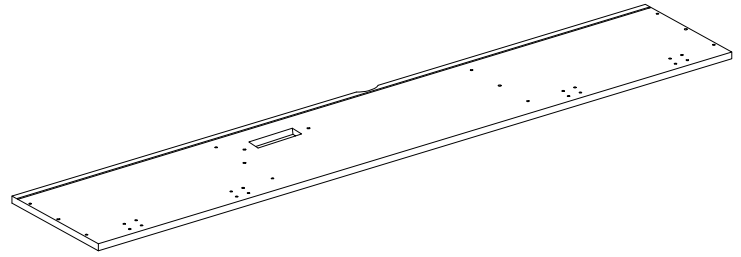
1



1600*295*15mm

1PC

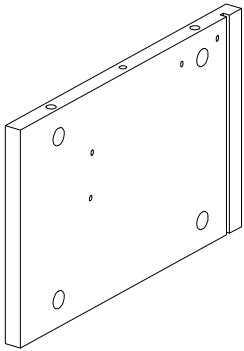
2



1600*295*15mm

1PC

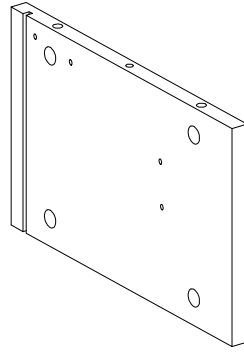
3



190*294*15mm

1PC

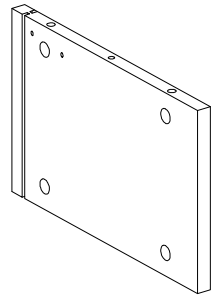
4



190*294*15mm

1PC

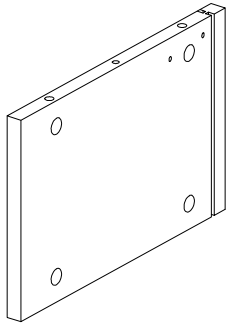
5



190*294*15mm

1PC

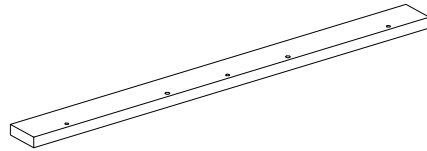
6



190*294*15mm

1PC

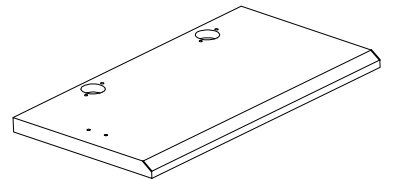
7



630*50*15mm

1PC

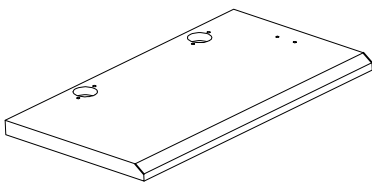
8



219*480*15mm

1PC

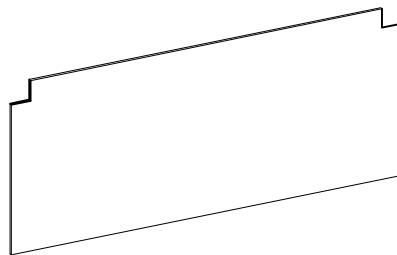
9



219*480*15mm

1PC

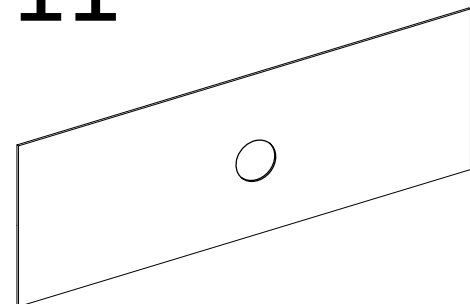
10



463*200*3mm

2PCS

11



638*200*3mm

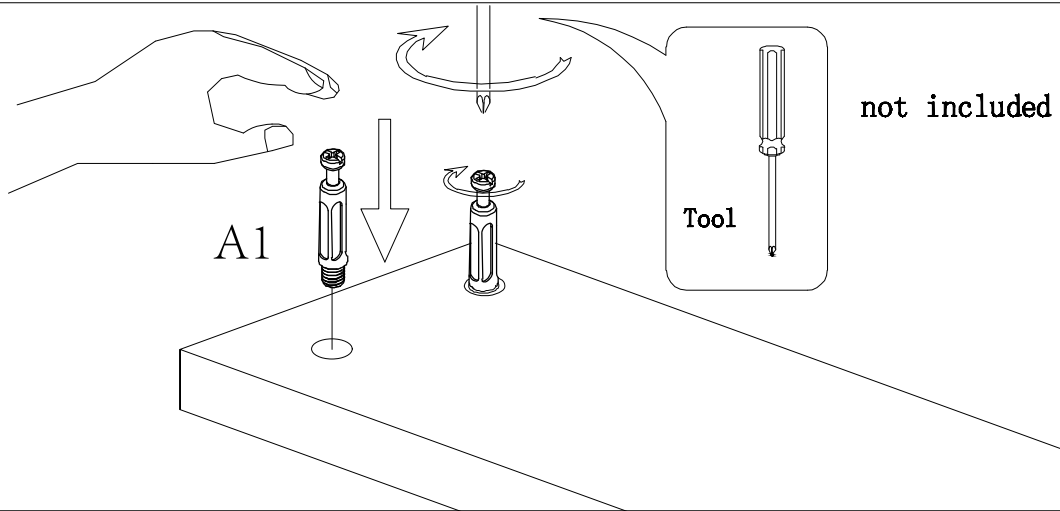
1PC

Hardware installation demonstration

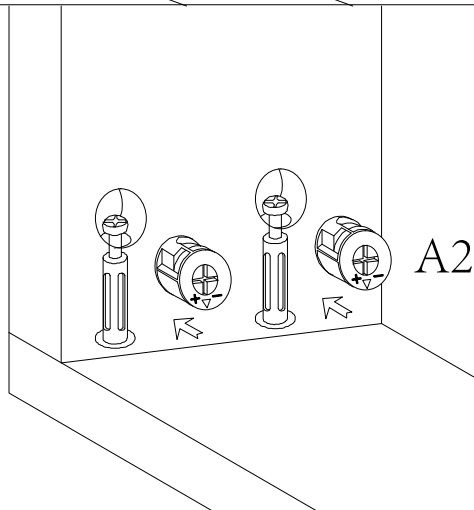


NOTE: Please make sure "A1" hardware tightened and can't be pulled out!

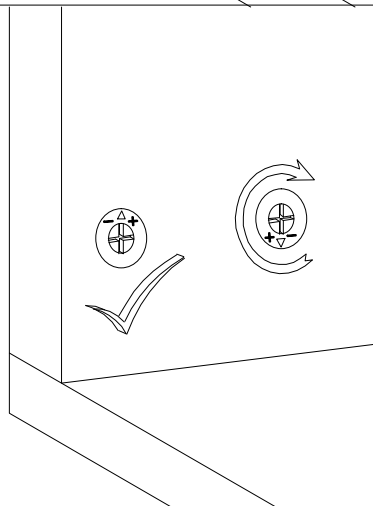
I



II

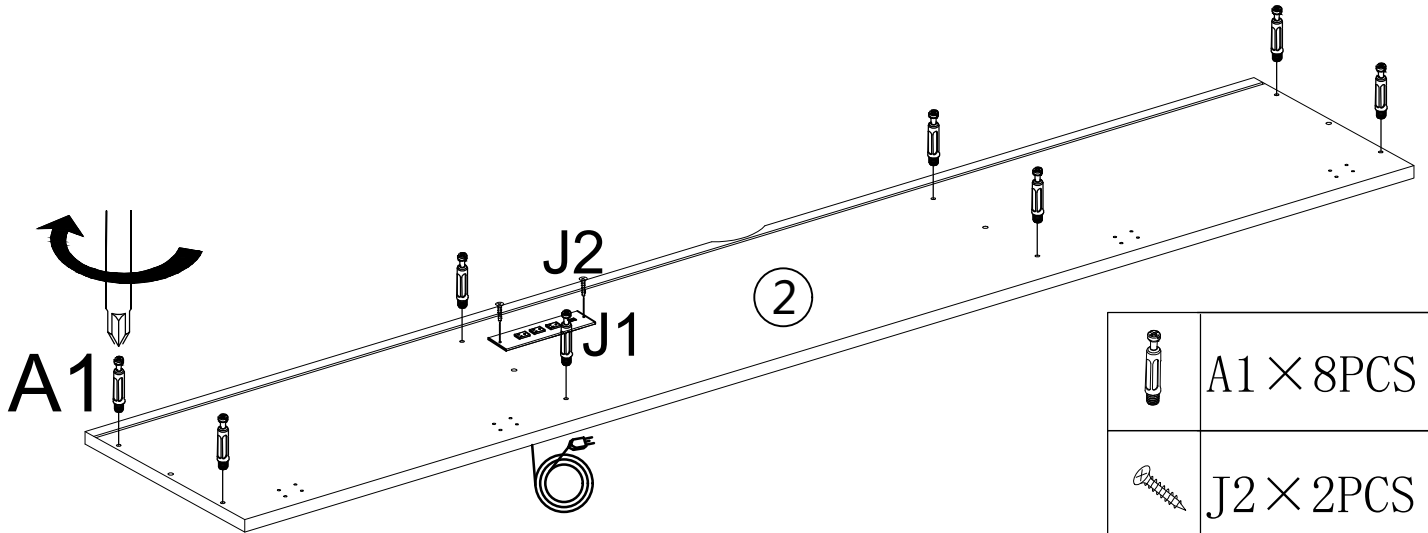
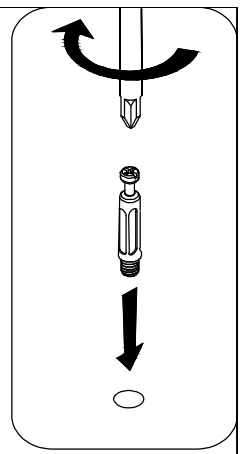
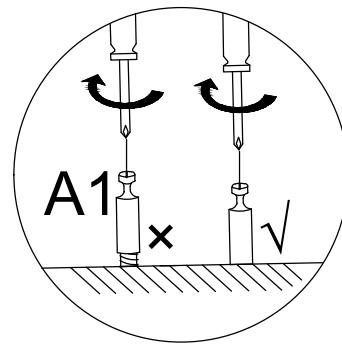





III



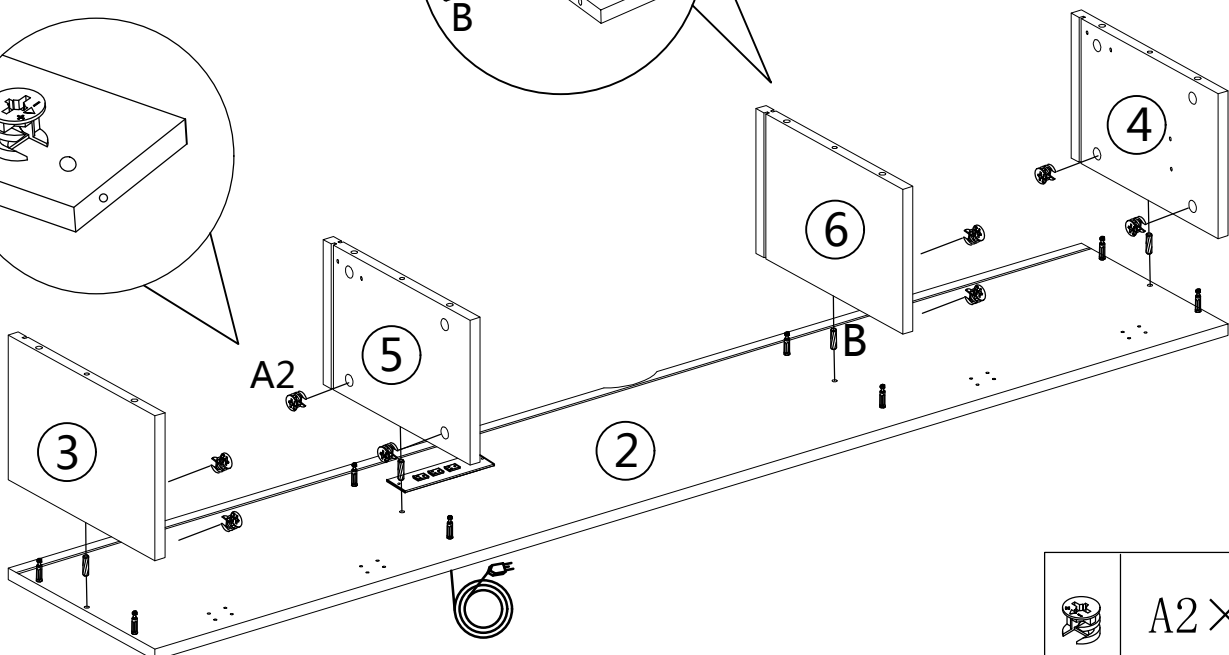
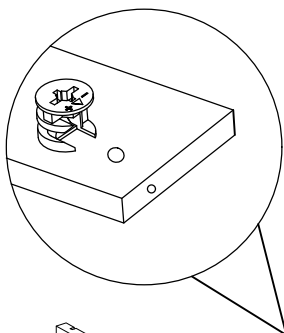
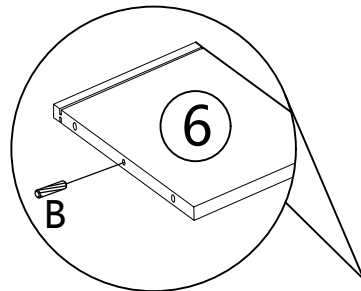
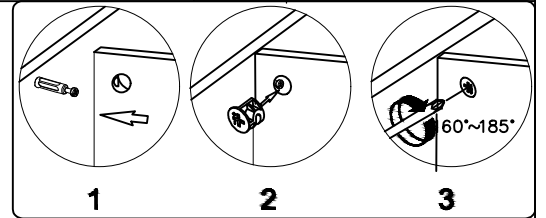
STEP 1



Tighten it , Same after



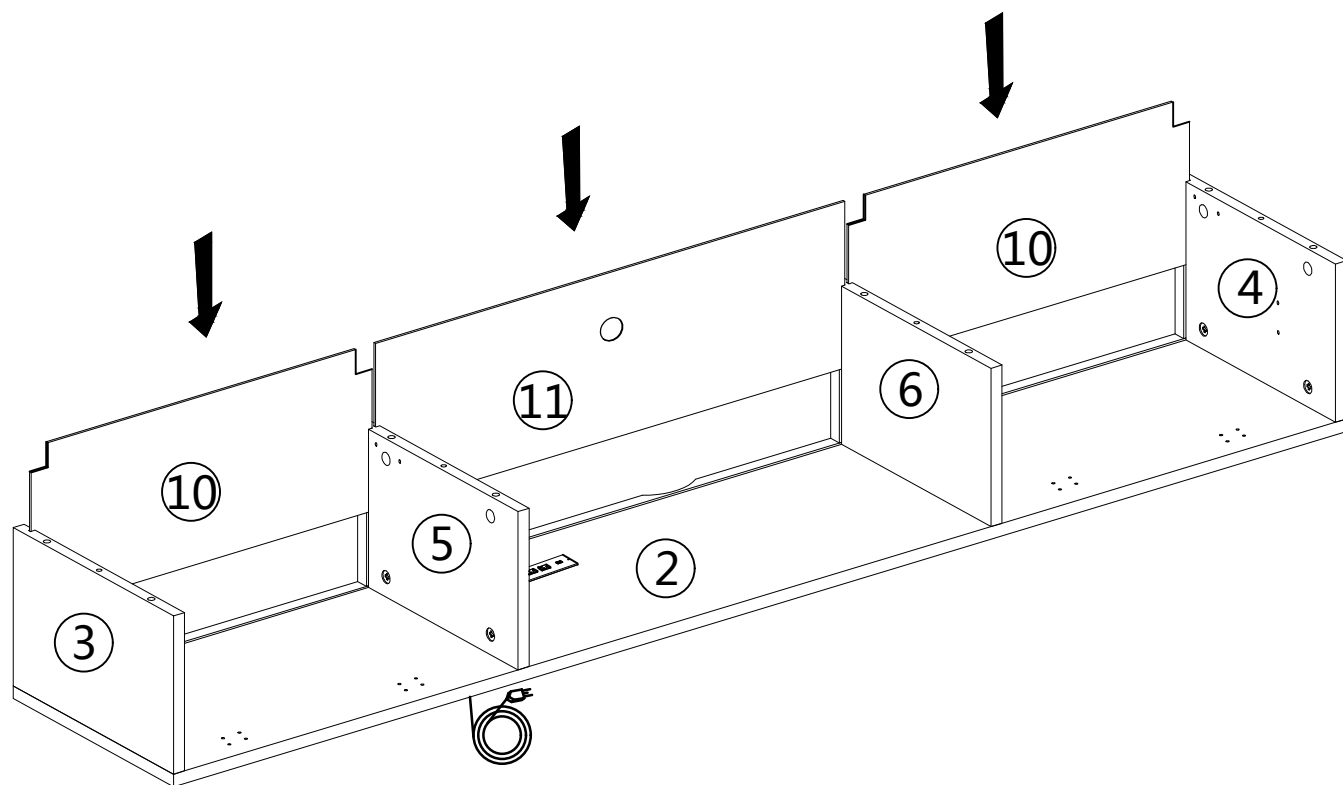
	A1 × 8PCS
	J2 × 2PCS
	J1 × 1PC

STEP 2

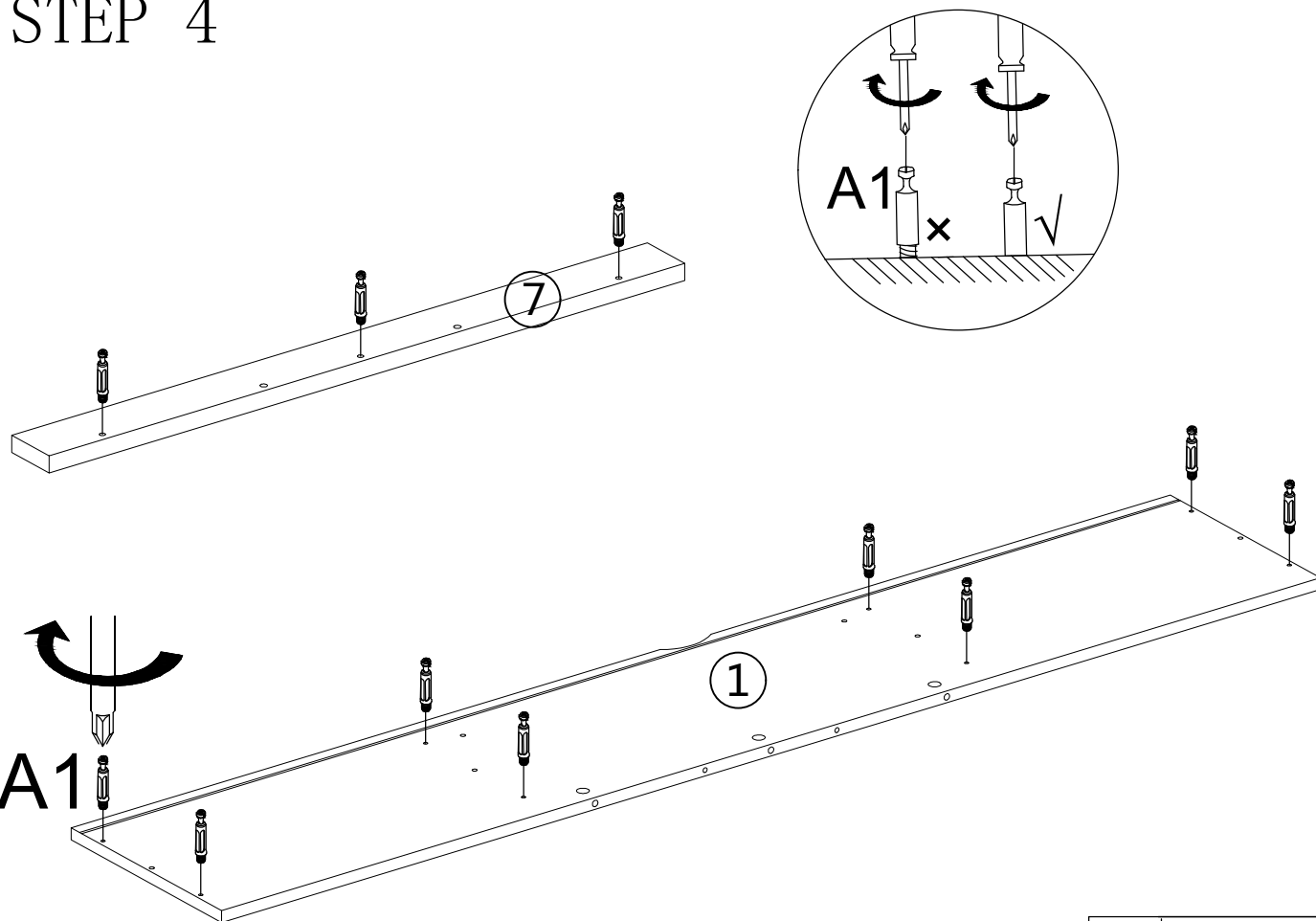


	A2 × 8PCS
	B × 4PCS

STEP 3

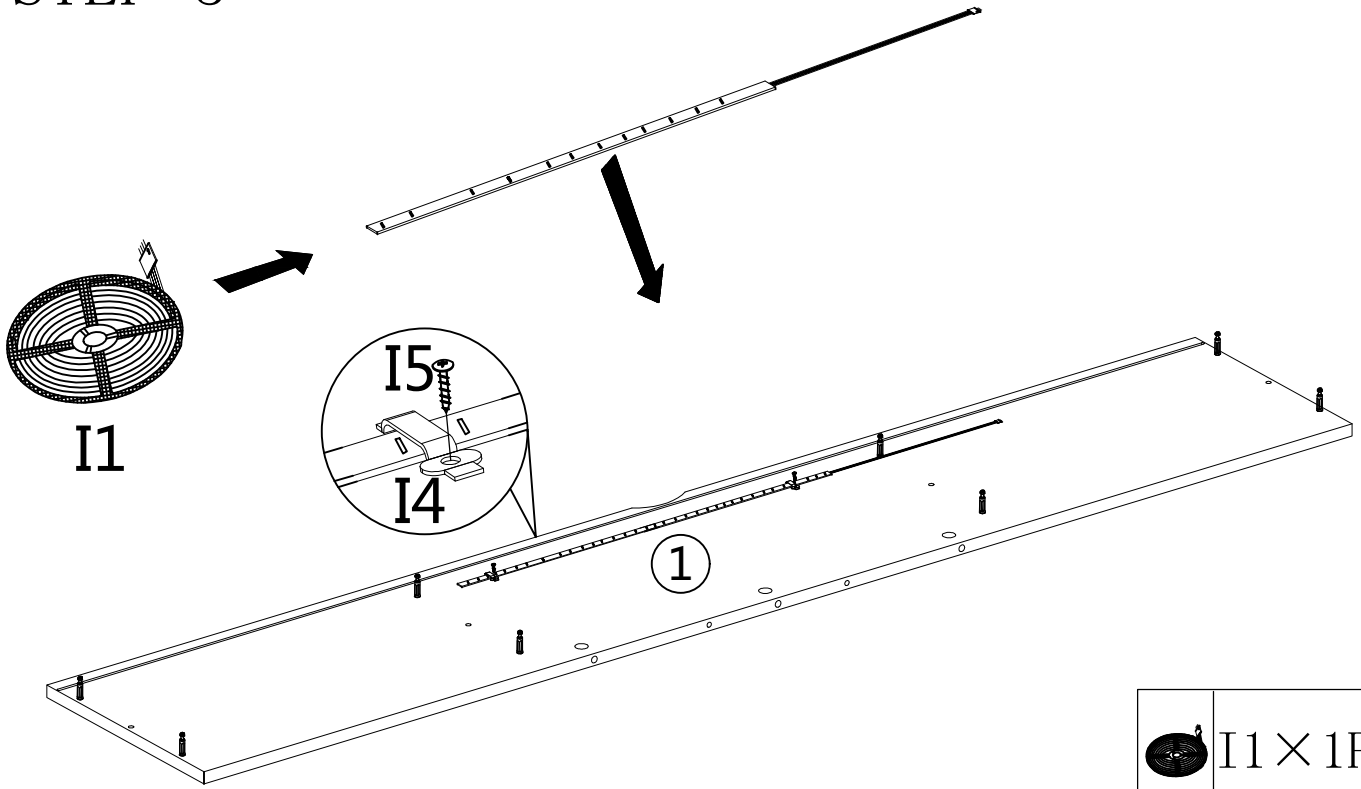


STEP 4



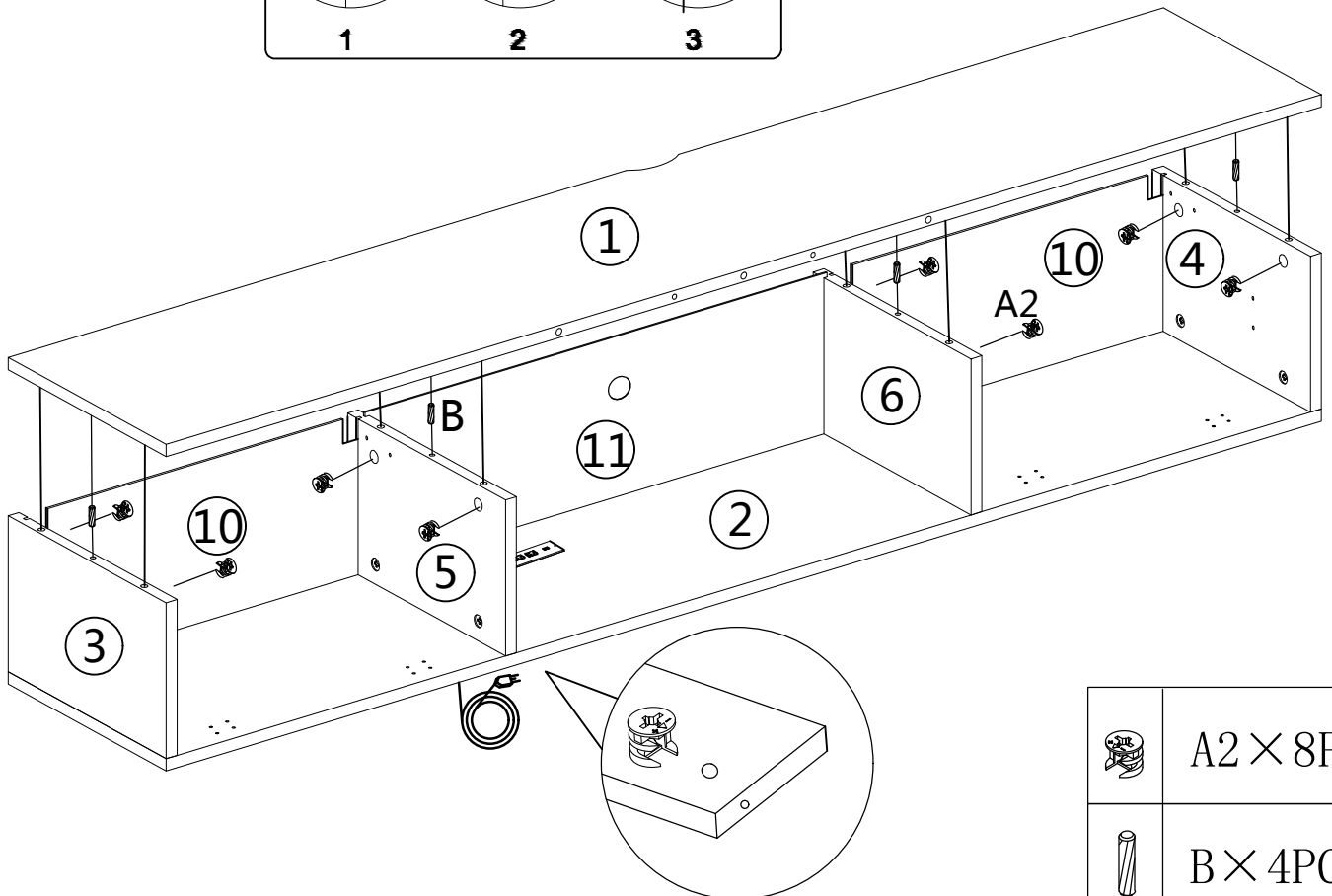
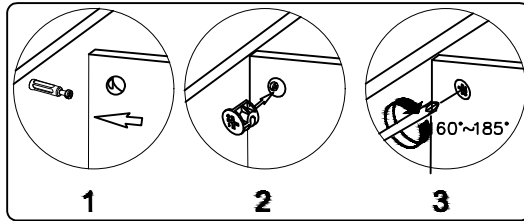
A1 × 11PCS

STEP 5



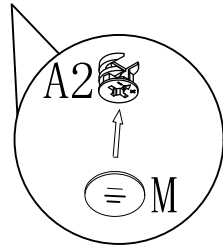
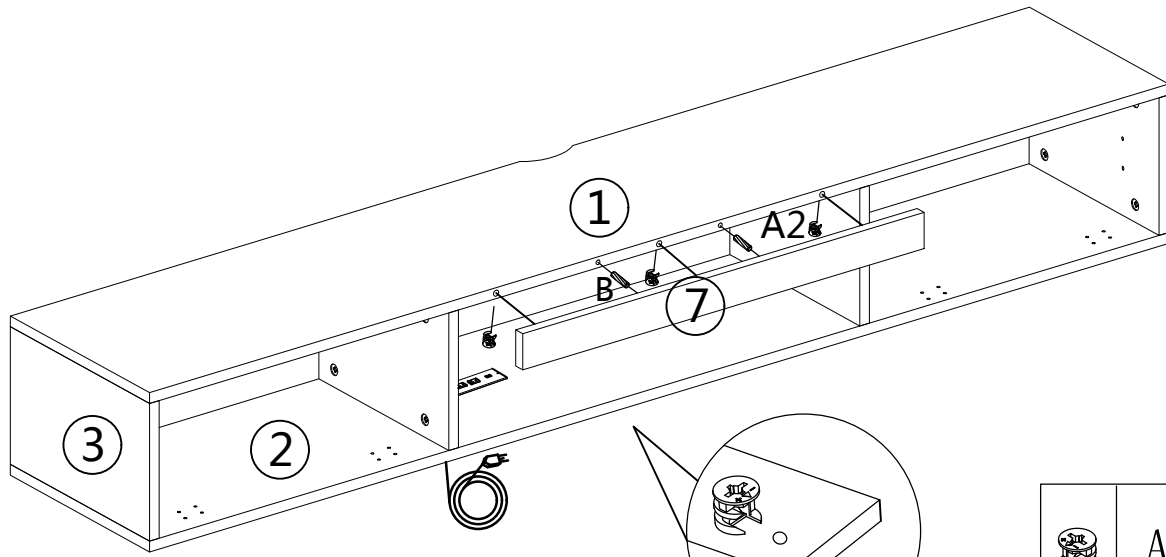
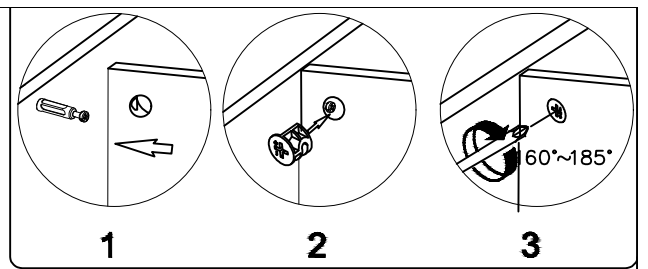
	I1 × 1PC
	I4 × 2PCS
	I5 × 2PCS




STEP 6



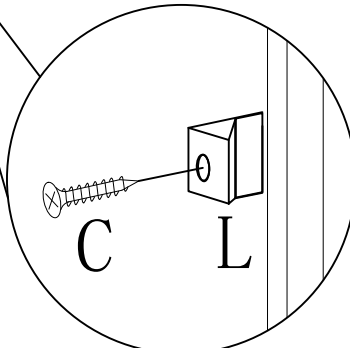
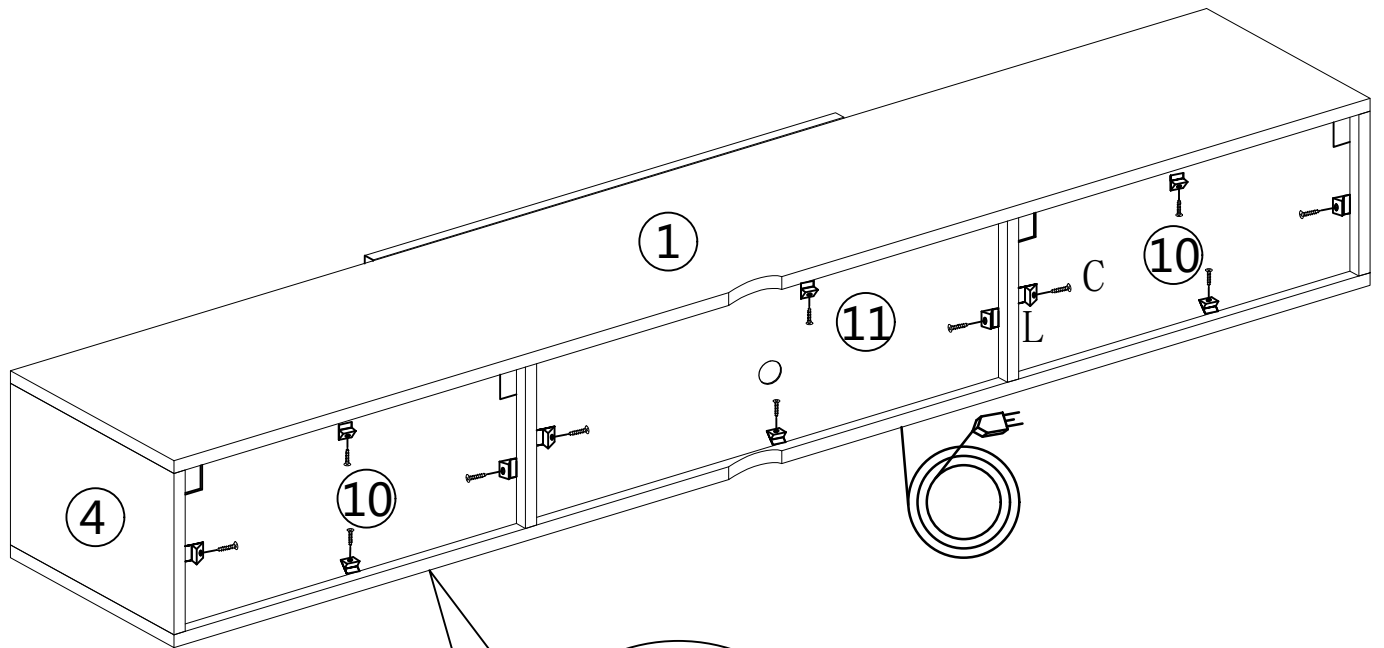
	A2 × 8PCS
	B × 4PCS

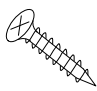
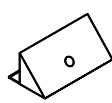
STEP 7



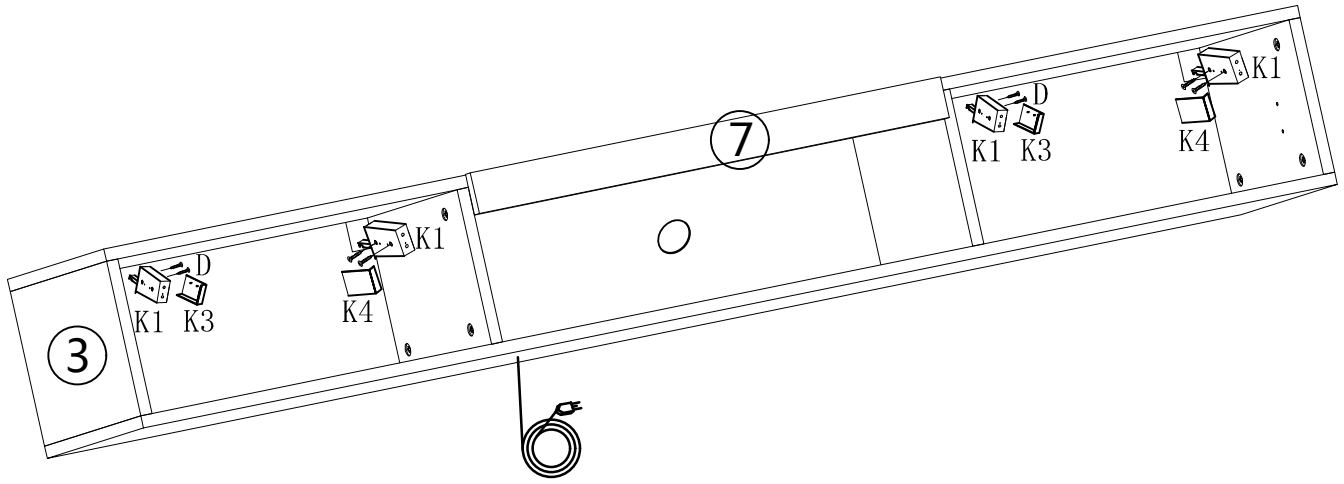
	A2 × 3PCS
	B × 2PCS
	M × 19PCS





STEP 8



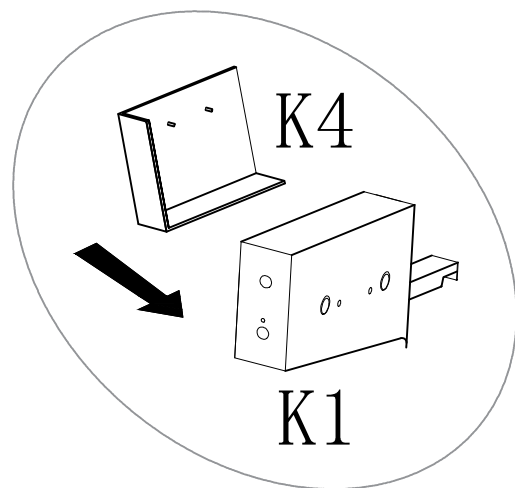
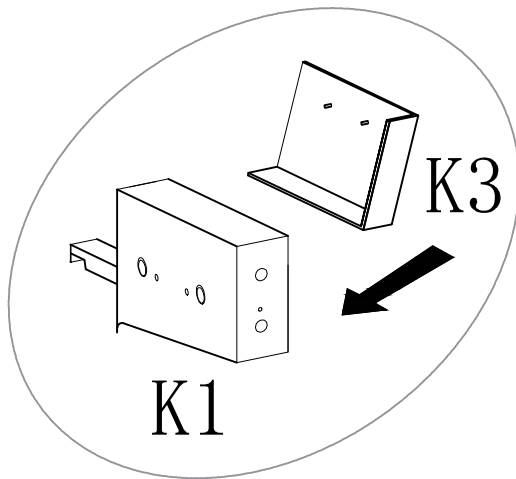
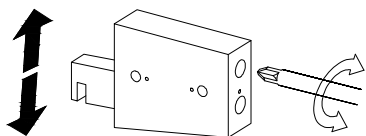
	C × 12PCS
	L × 12PCS

STEP 9

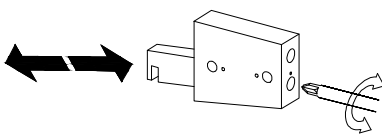


	D × 8PCS		K3 × 2PCS
	K1 × 4PCS		K4 × 2PCS

STEP 10

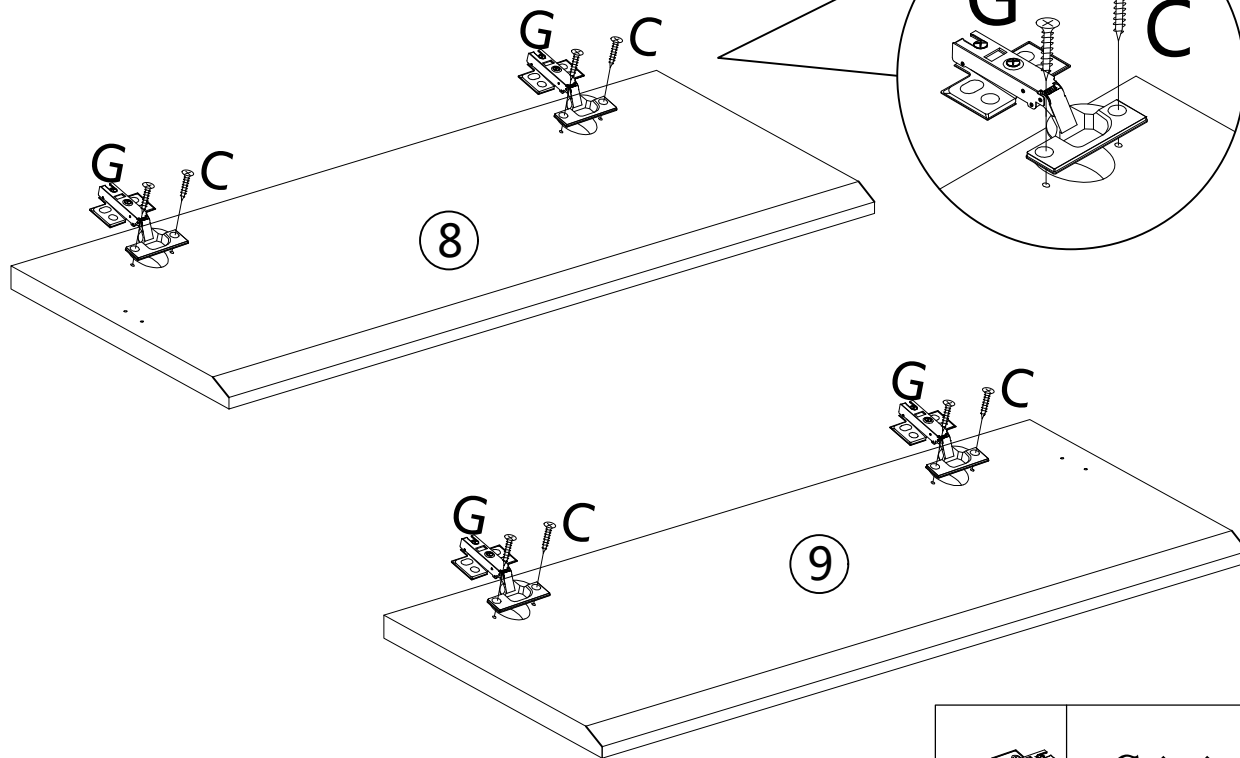



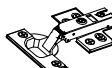
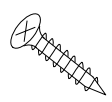
The up and down can be adjusted !



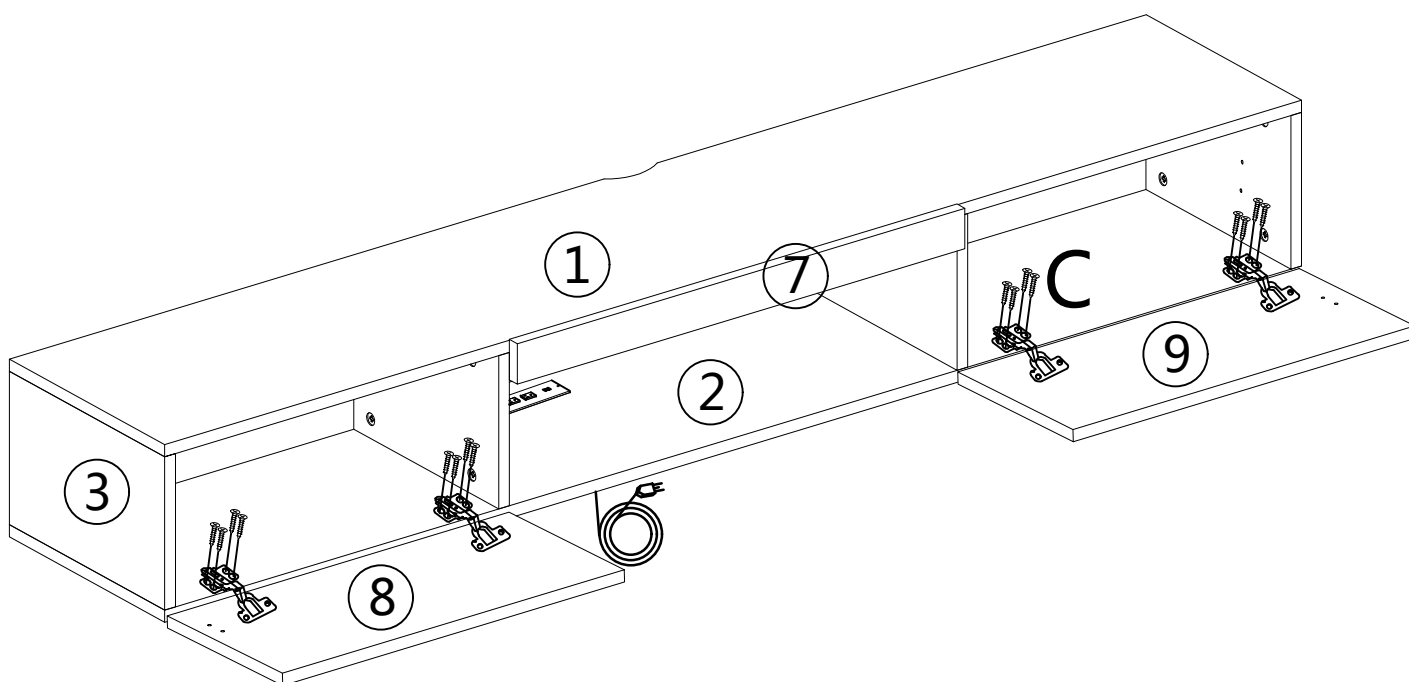
The length can be adjusted !

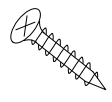
STEP 11



	G × 4PCS
	C × 8PCS

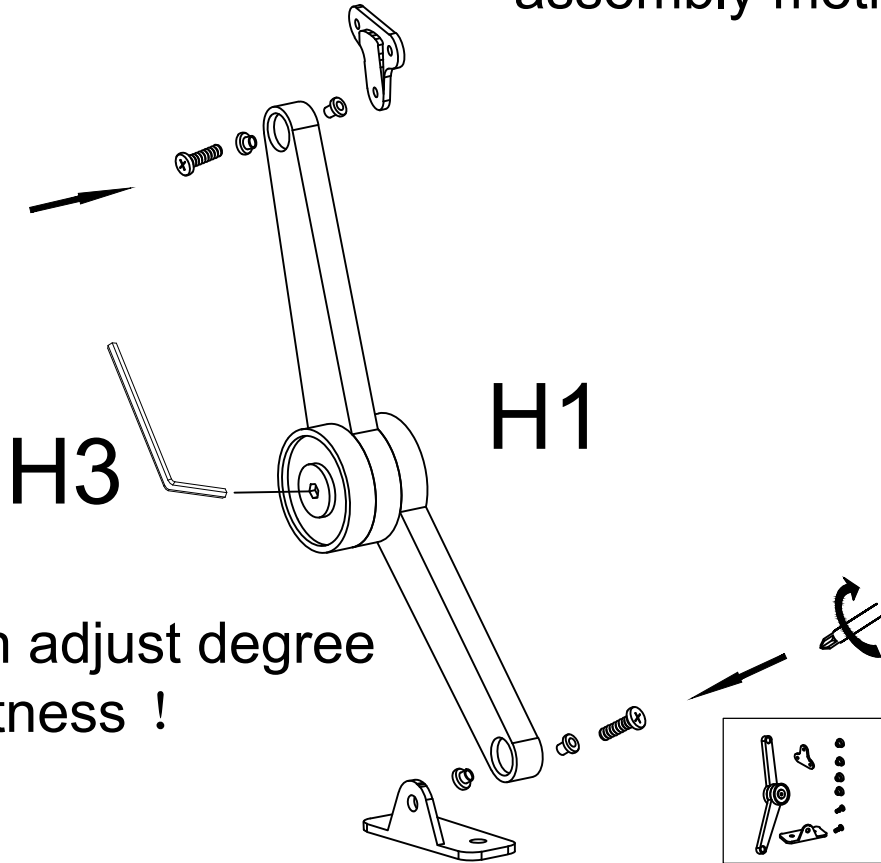
STEP 12



	C × 16PCS
---	-----------

STEP 13

assembly method 1

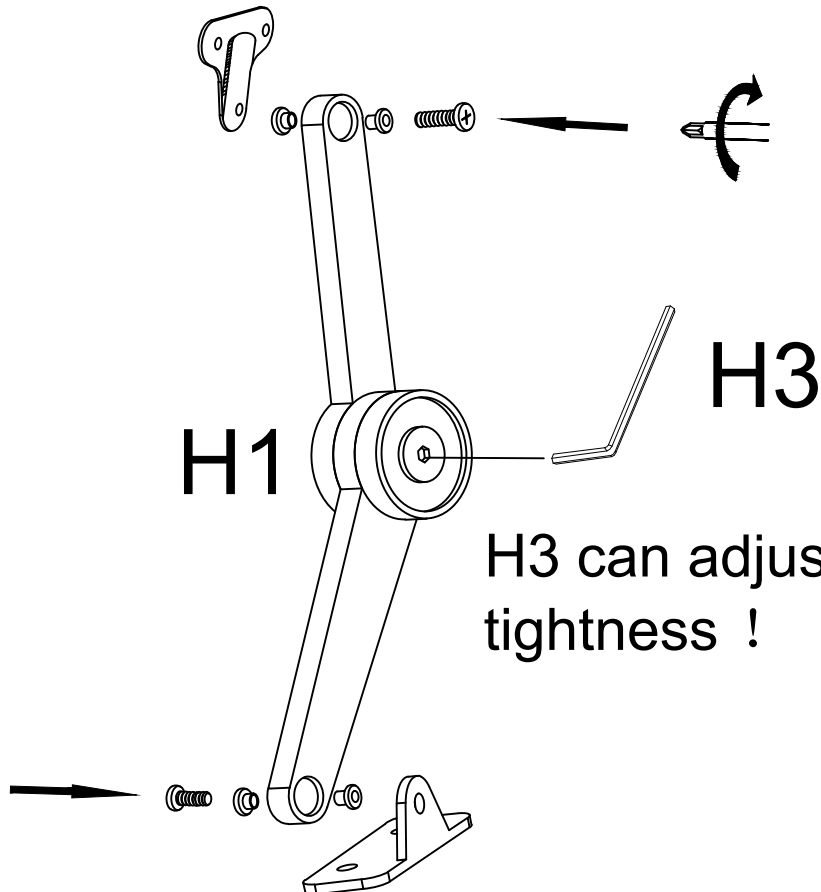


H3 can adjust degree of tightness !

	H1 × 1PC
	H3 × 1PC

STEP 14

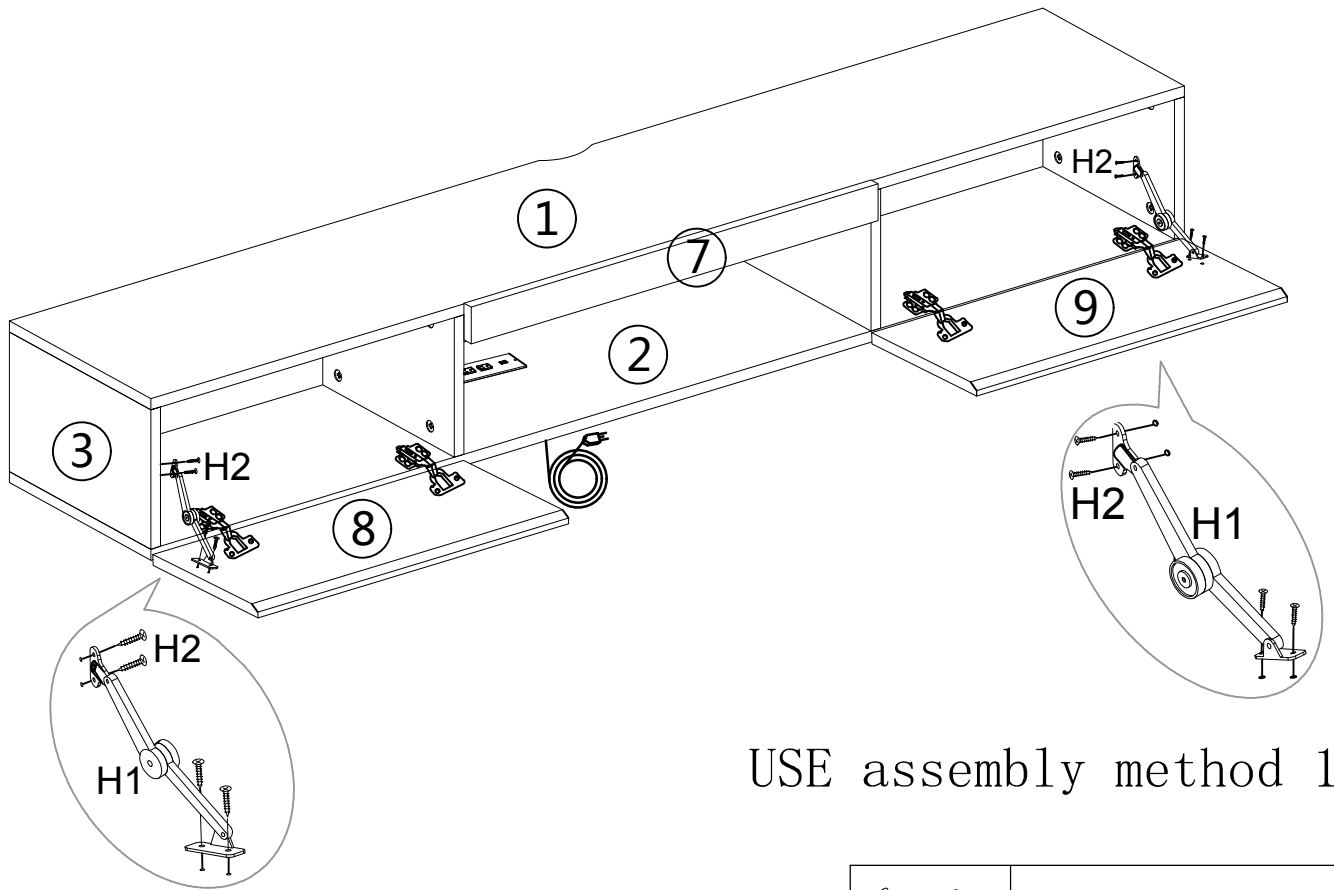
assembly method 2



H3 can adjust degree of tightness !

	H1 × 1PC
	H3 × 1PC

STEP 15



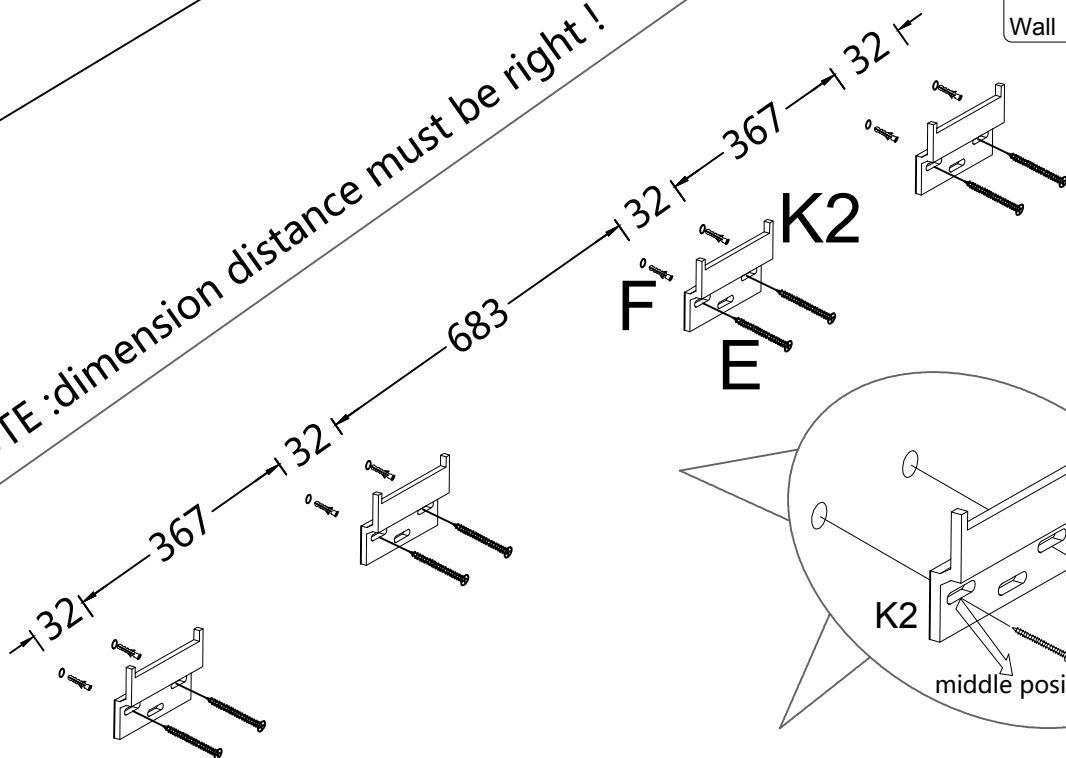
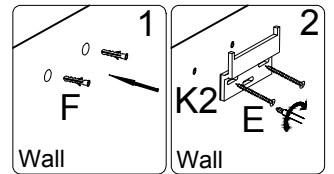
USE assembly method 1

USE assembly method 2

	H2 × 2PCS
--	-----------

STEP 16

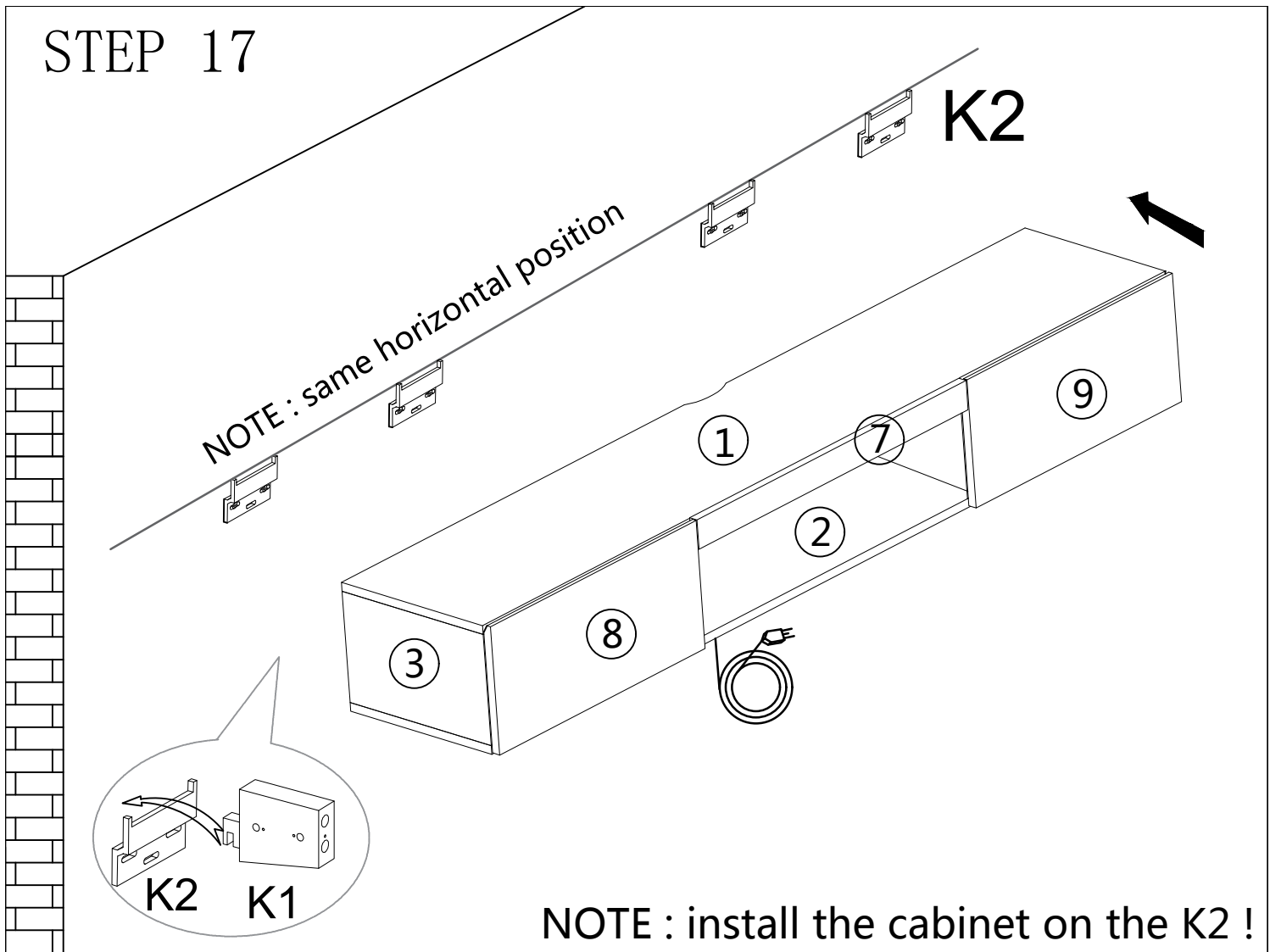
NOTE :dimension distance must be right!



NOTE : E must be in the middle of hole K2 !

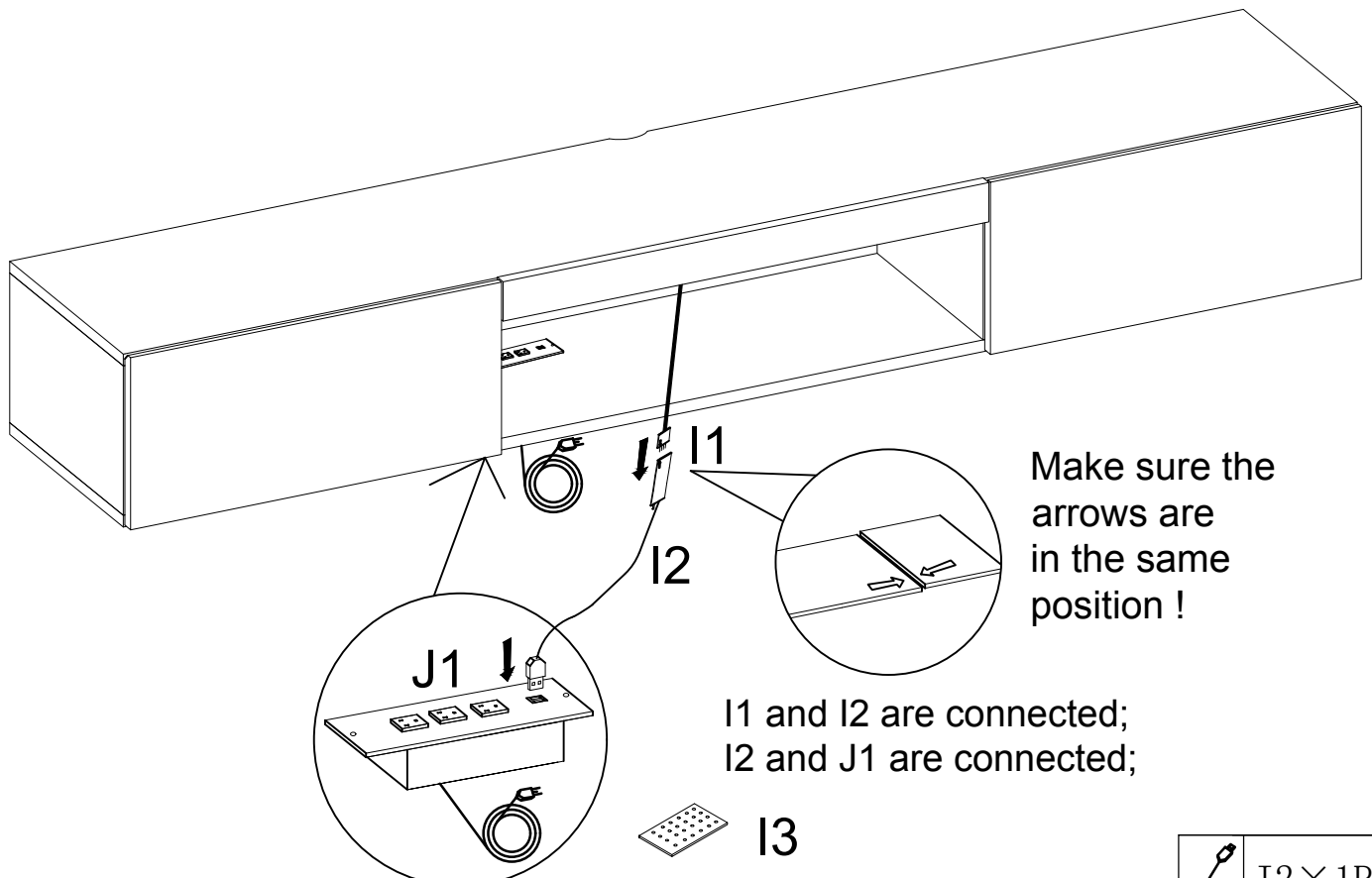
	E × 8PCS		F × 8PCS		K2 × 4PCS
--	----------	--	----------	--	-----------


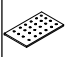
STEP 17



NOTE : install the cabinet on the K2 !

STEP 18



	I2 × 1PC
	I3 × 1PC

LED Light

If you can't let the lights work successfully, please check the following:

1. Please check the direction of the connect, try it in the opposite

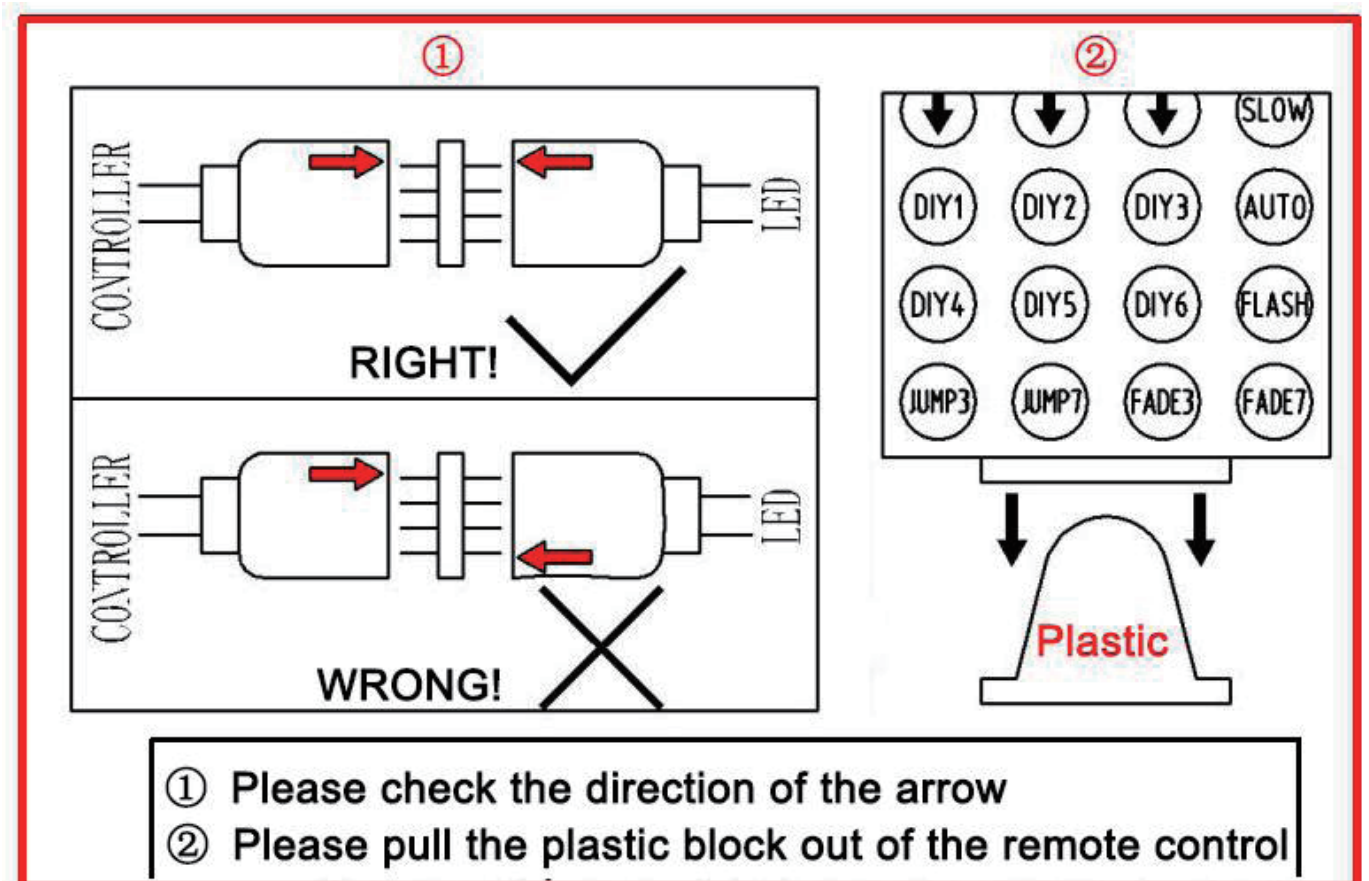
direction, according to the following picture.

2. Please check the remote control, it need you to tear down the

plastic septum before use it.

3. Don't let the remote control too far from the receiver, make sure

there is no obstruction between them.



END

