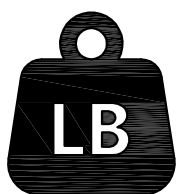


# MAINTENANCE AND WARNING

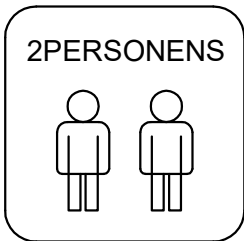
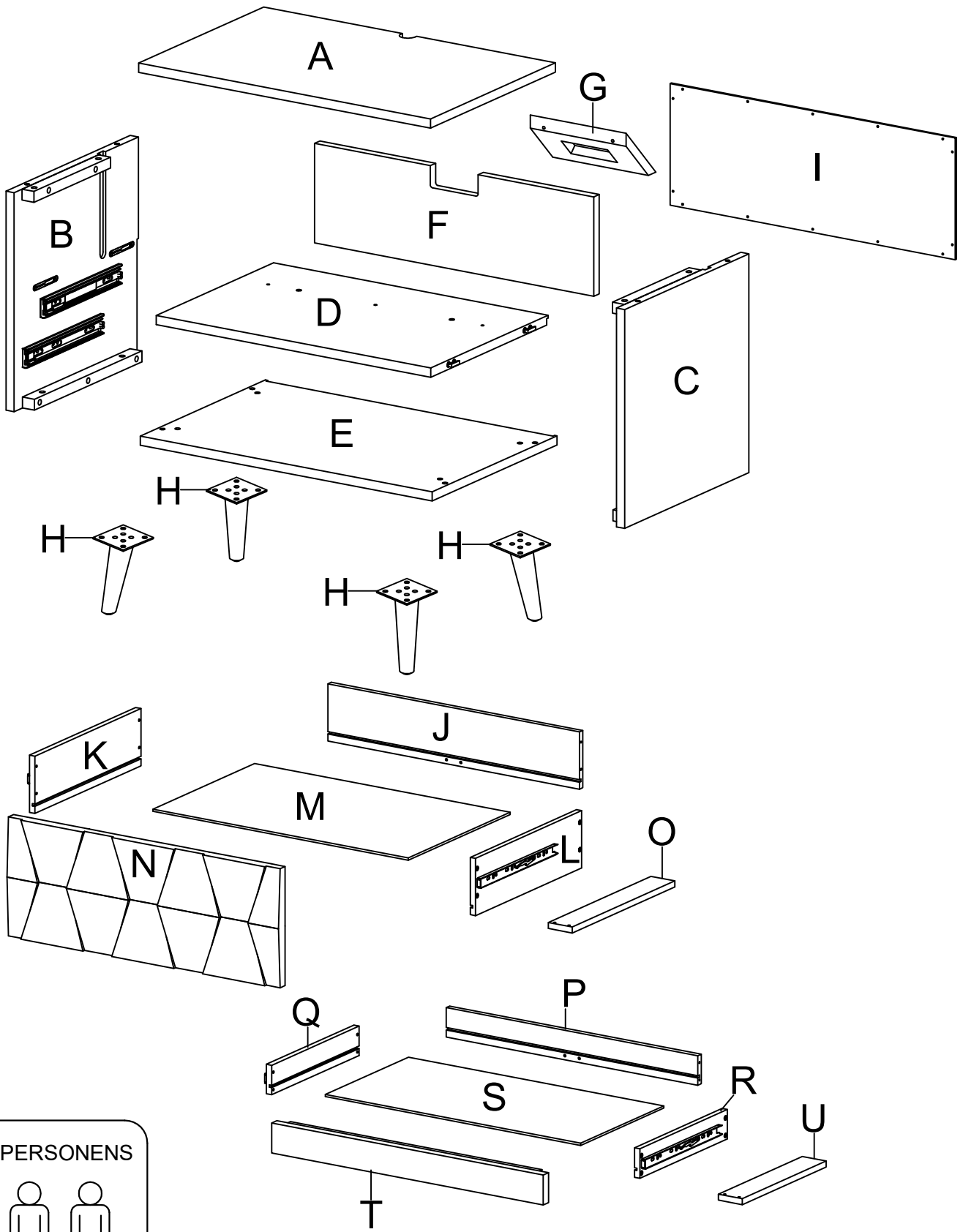
- 1.Keep furniture away from heat sources.
- 2.Do not clean furniture with harsh cleaner or polishes. Do not use detergents, solvents, abrasives, spray packs or leather cleaner. Use non-color mild soa with warm water to clean spills(Mix 1:10 soap to water).
- 3.Do not place furniture under direct sunlight, material will possibly fade over time.
- 4.Do not use on site dry cleaning machine. Children should not climb or jump on the furniture.
- 5.Do not write on furniture that is not protected by a padded barrier.
- 6.Not for commercial use, only for residential use.



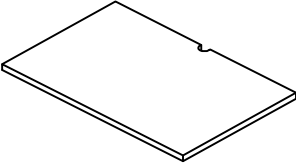
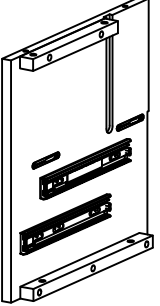
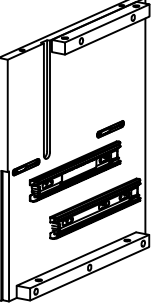
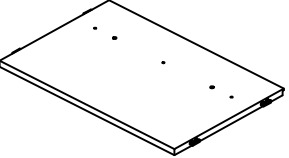
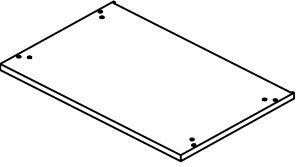
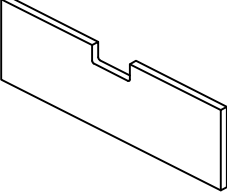
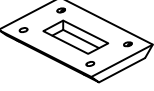
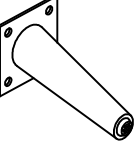
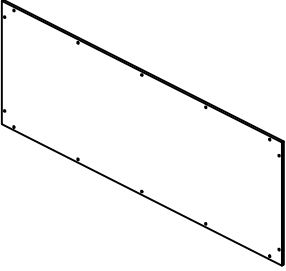
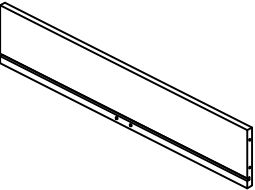
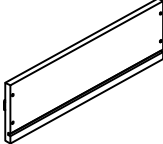
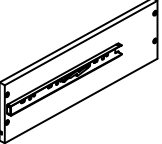
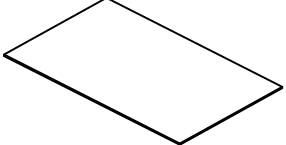
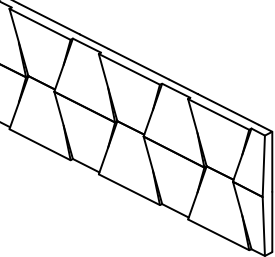
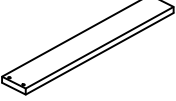
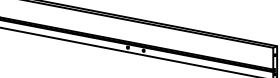
Weight Limitation

**100 LBS**

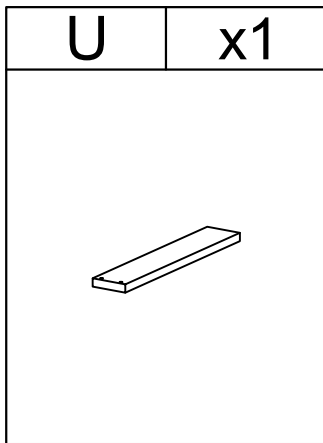
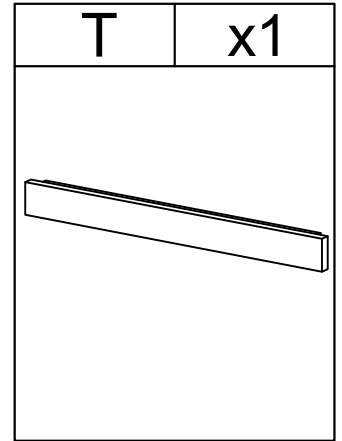
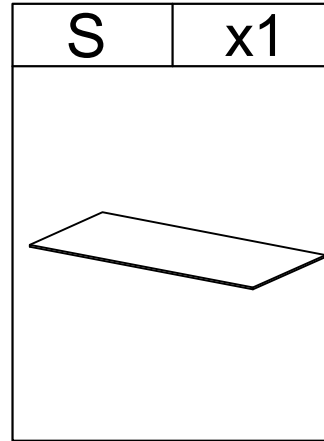
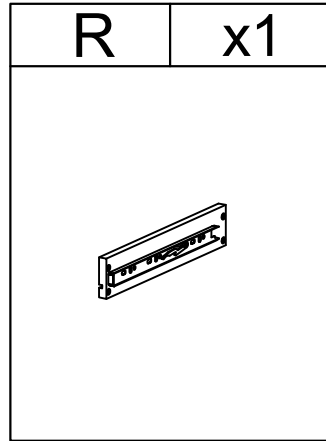
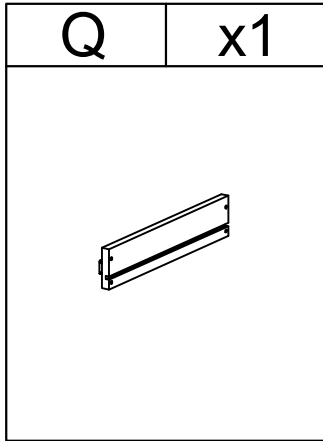
# EXPLOSIVE VIEW




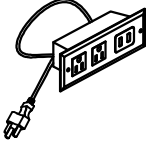
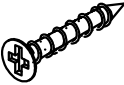









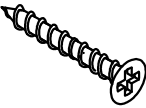

# PARTS LIST 1

A	x1	B	x1	C	x1	D	x1
							
E	x1	F	x1	G	x1	H	x4
							
I	x1	J	x1	K	x1	L	x1
							
M	x1	N	x1	O	x1	P	x1
							


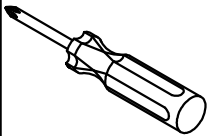
# PARTS LIST 1




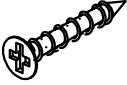





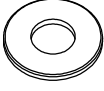
# HARDWARE LIST

#1	x2		#2	x1		#3	x31		#4	x14		#5	x10		#6	x16	
Ø3*15MM						Ø4*25MM		Ø3*15MM		Ø8*30MM		1/4*15MM					
#7	x8		#8	x24		#9	x24		#10	x4		#11	x4		#12	x2	
1/4*35MM		Ø12*1MM		Ø19*1MM													
#13	x4		#14	x4													
Ø4*38MM		Ø3*20MM															

# TOOL LIST

#15	x1		#16	x1	
M4		Not including			

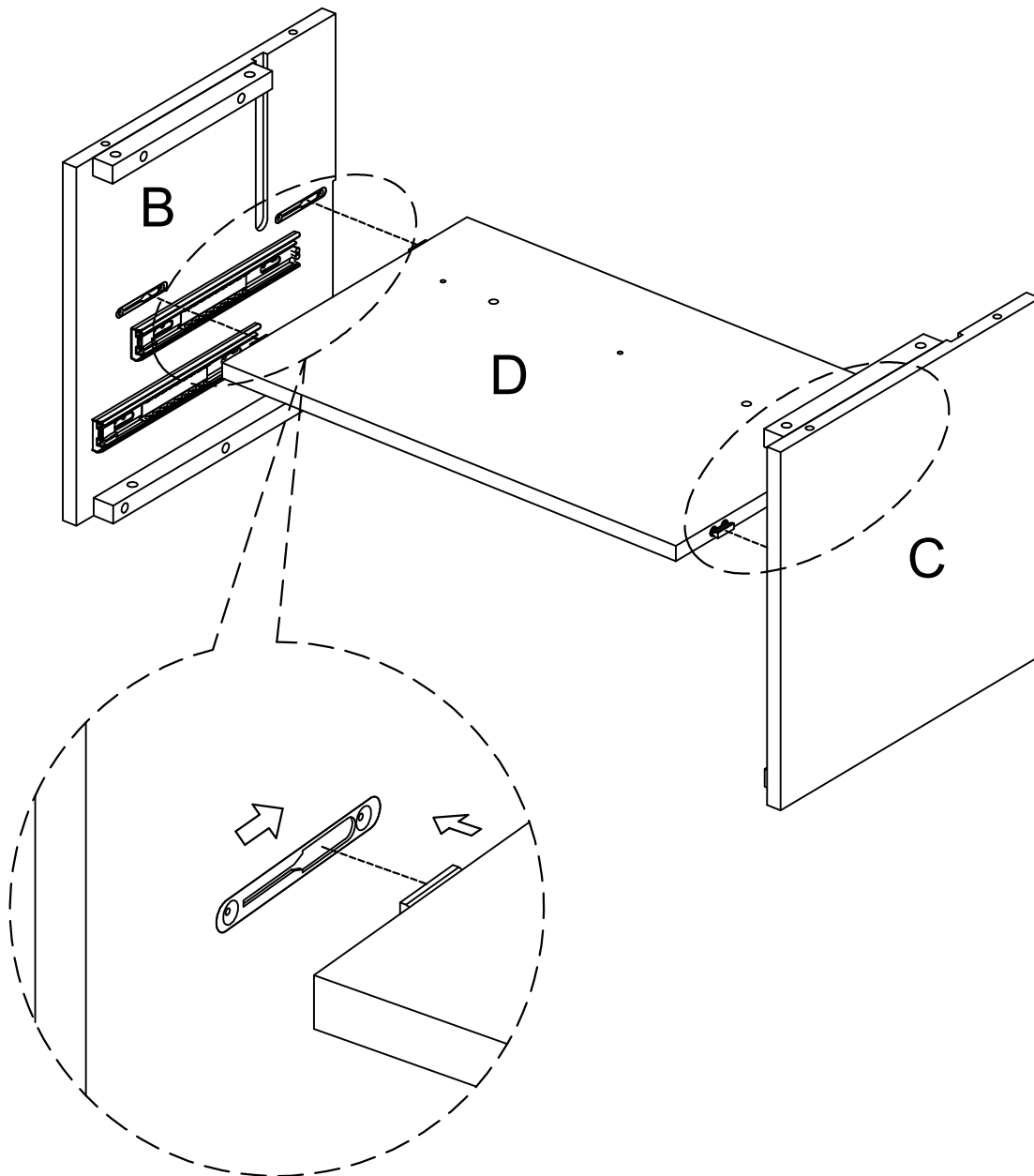
# HARDWARE SPARE LIST

#1	x1		#3	x3		#4	x1		#5	x1		#6	x1		#7	x1		#8	x2	
Ø3*15MM		Ø4*25MM		Ø3*15MM		Ø8*30MM		1/4*15MM		1/4*35MM		Ø12*1MM								
#9	x2																			
Ø19*1MM																				

# ASSEMBLY INSTRUCTIONS

## STEP-1

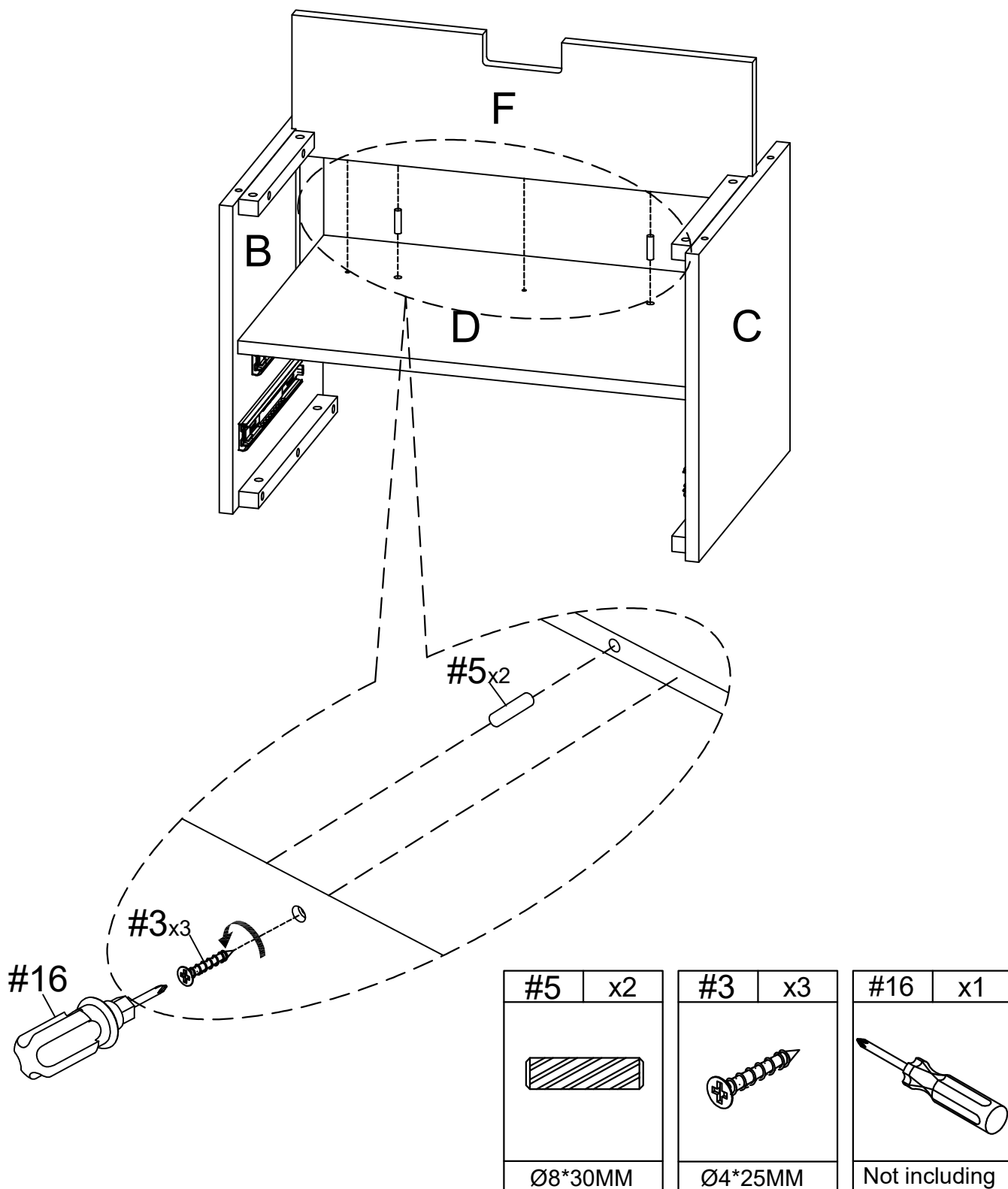
1. Insert panel (D) into side panel (B&C), make sure all holes aligned and then pull panel (B&C) back fix with as picture show.



# ASSEMBLY INSTRUCTIONS

## STEP-2

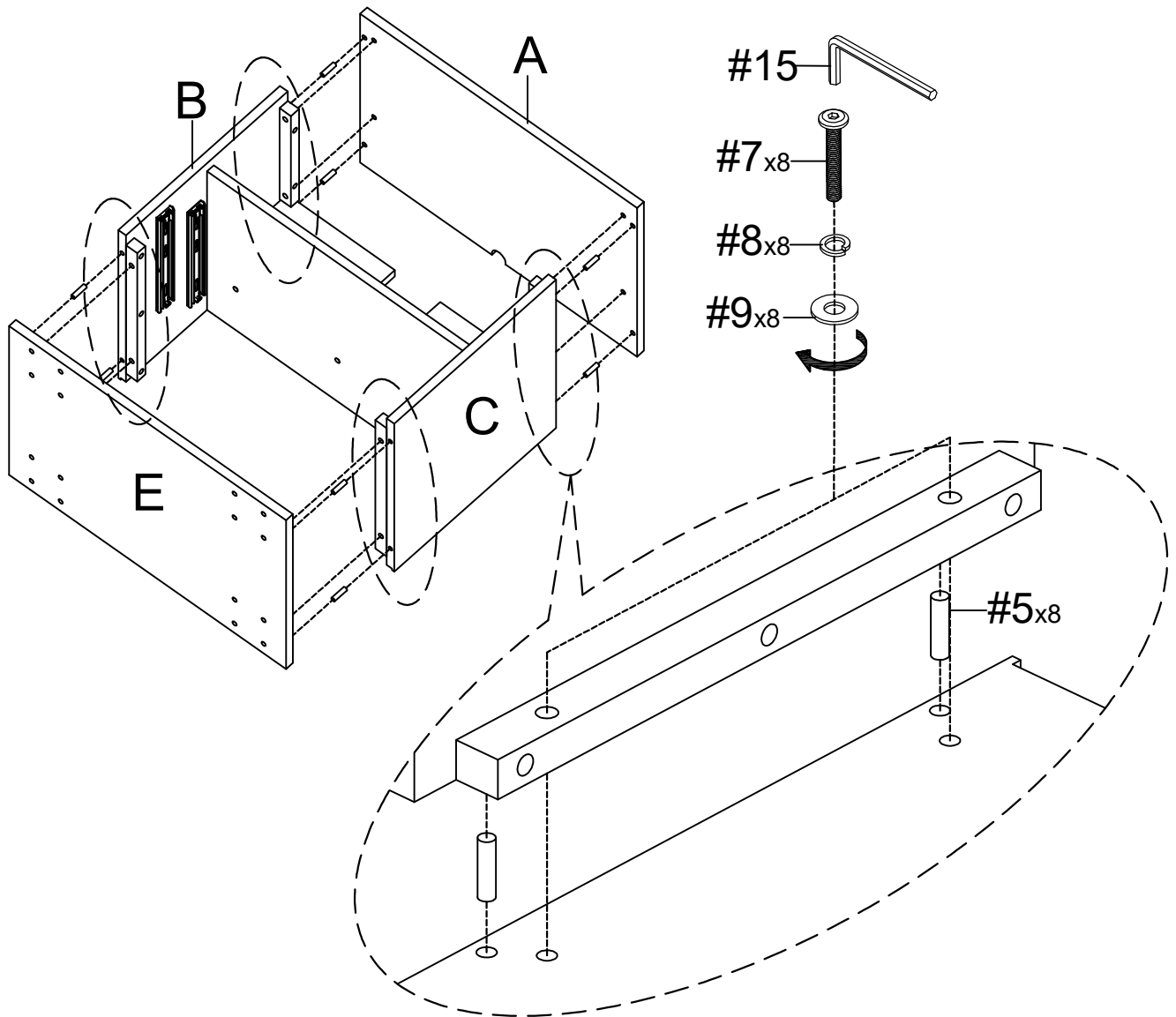
1. Insert part (F) into part (B&C&D), make sure all holes align aligned, wood dowel #5 and fix, using screw #3 and tighten it with screwdriver #16.



# ASSEMBLY INSTRUCTIONS

## STEP-3

1. Insert part (A&E) into part (B&C), make sure all holes align aligned, wood dowel #5 and using bolt (7), spring washer (8), flat washer (9) then tighten the screw with an Allen key #15.

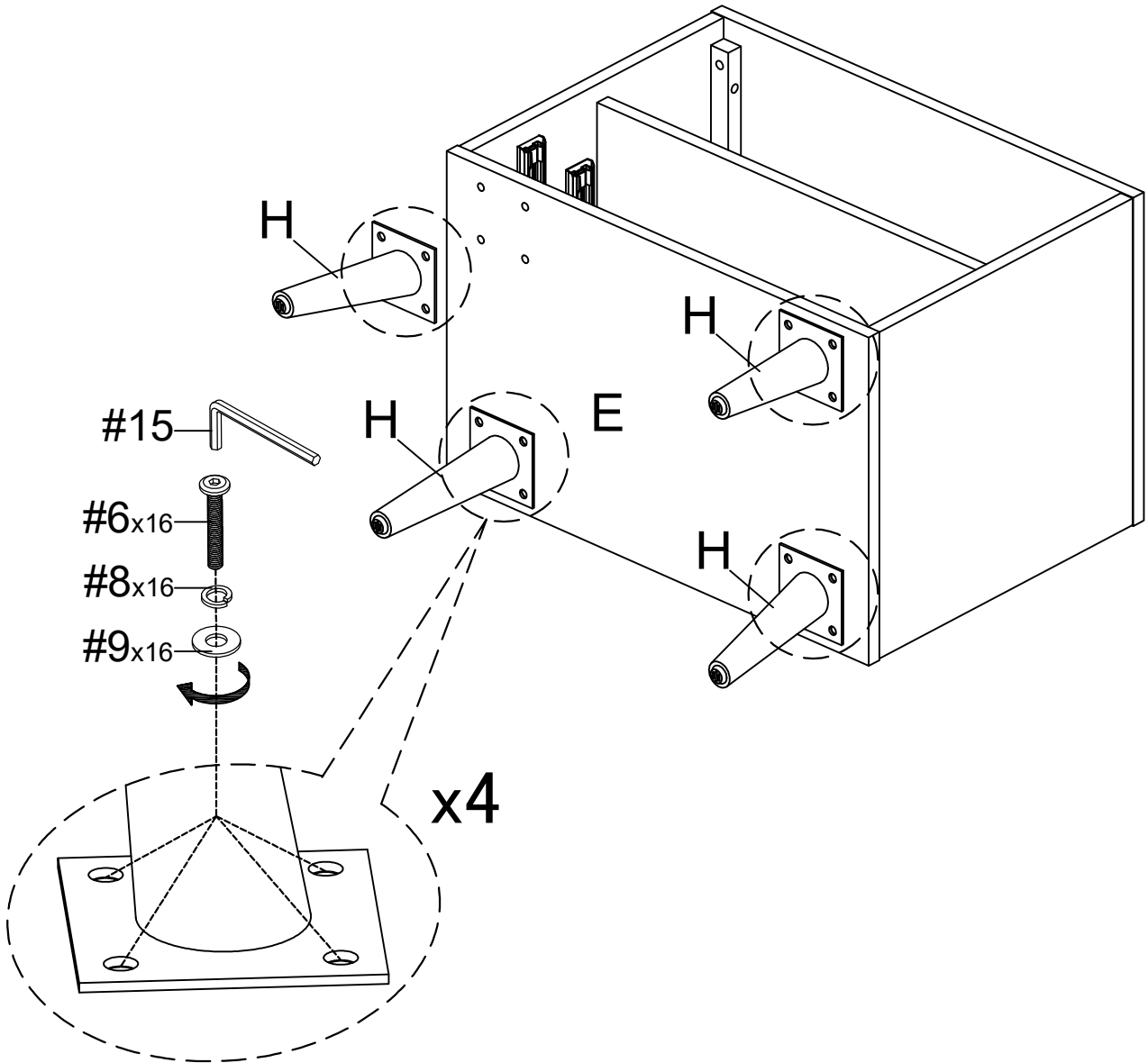






#5	x8	#7	x8	#8	x8	#9	x8	#15	x1
Ø8*30MM		1/4*35MM		Ø12*1MM		Ø19*1MM		M4	

# ASSEMBLY INSTRUCTIONS

## STEP-4

1. Insert part (H) into part (E), make sure all holes align aligned using bolt (6), spring washer (8), flat washer (9) then tighten the screw with an Allen key #15.

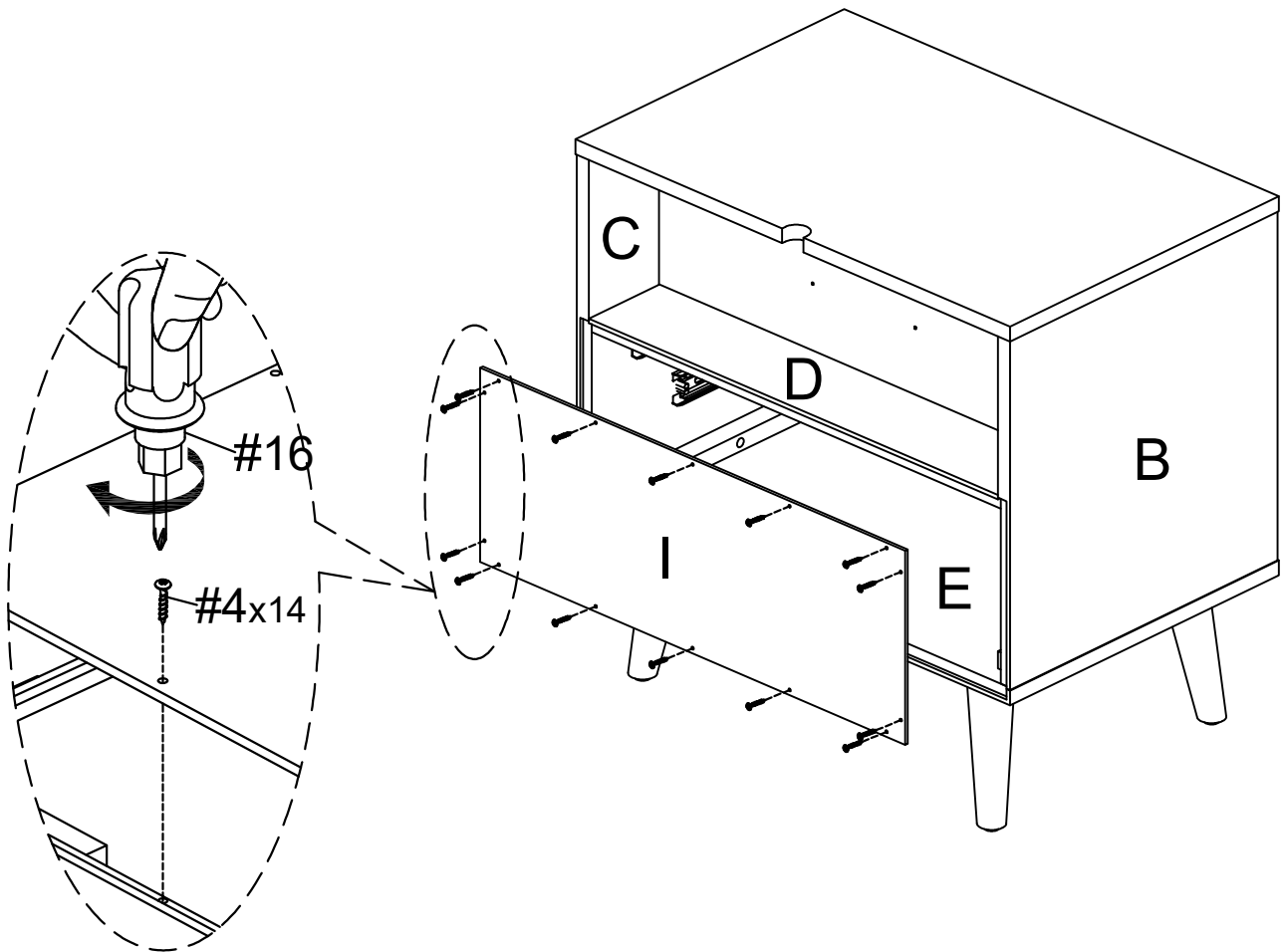



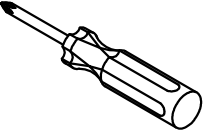
#6	x16	#8	x16	#9	x16	#15	x1
							
1/4*15MM		Ø12*1MM		Ø19*1MM		M4	

# ASSEMBLY INSTRUCTIONS

## STEP-5

1. Insert back panel (I) into the groove of preassembled step 4 back, make sure all holes aligned and use screw #4 to attach them, tighten screw #4 with screwdriver #16.

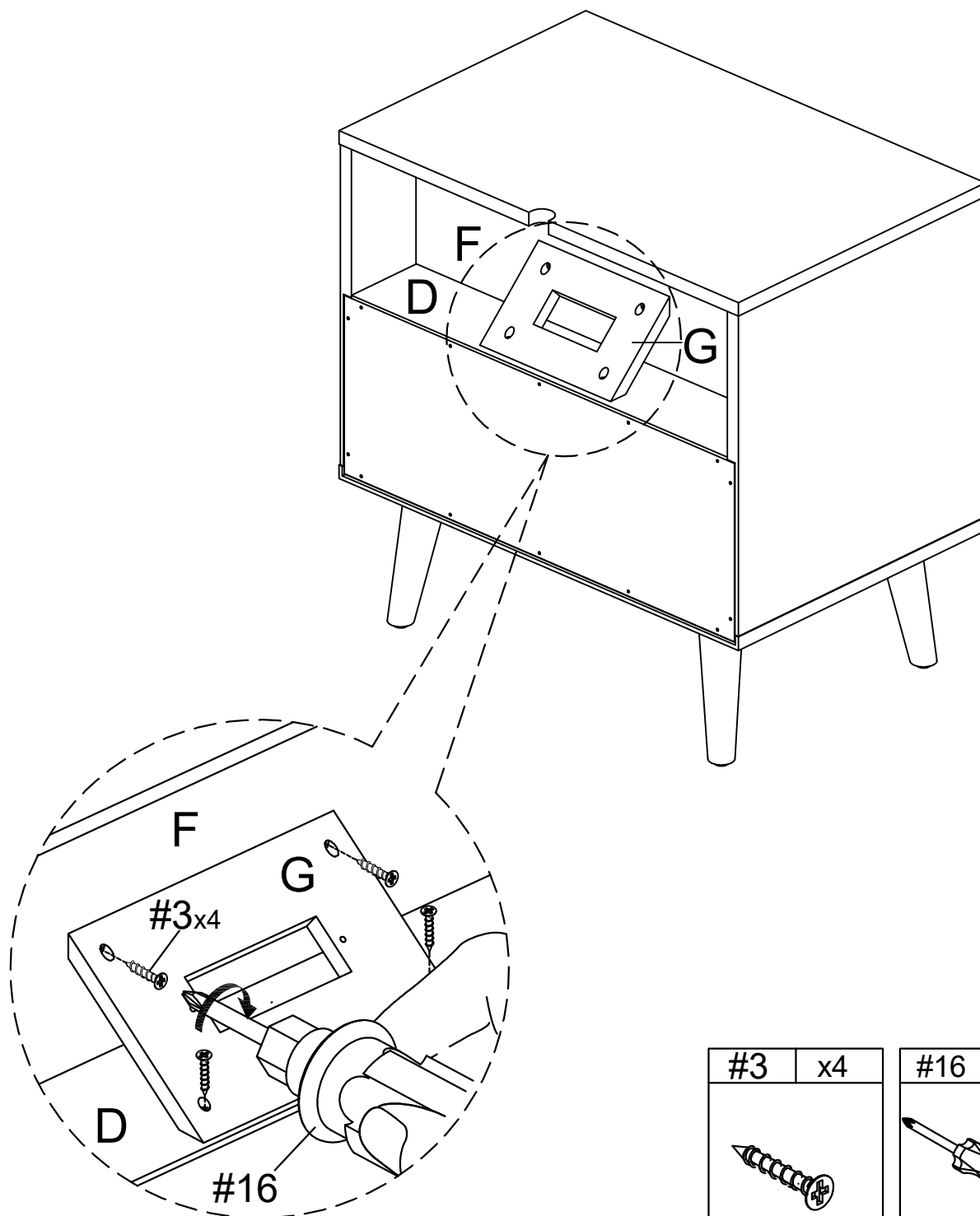



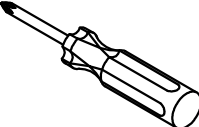
#4	x14	#16	x1
			
Ø3*15MM		Not including	

# ASSEMBLY INSTRUCTIONS

## STEP-6

1. Insert part (G) into the preassembled step 5, make sure all holes aligned and use screw #3 to attach them, tighten screw #3 with screwdriver #16.

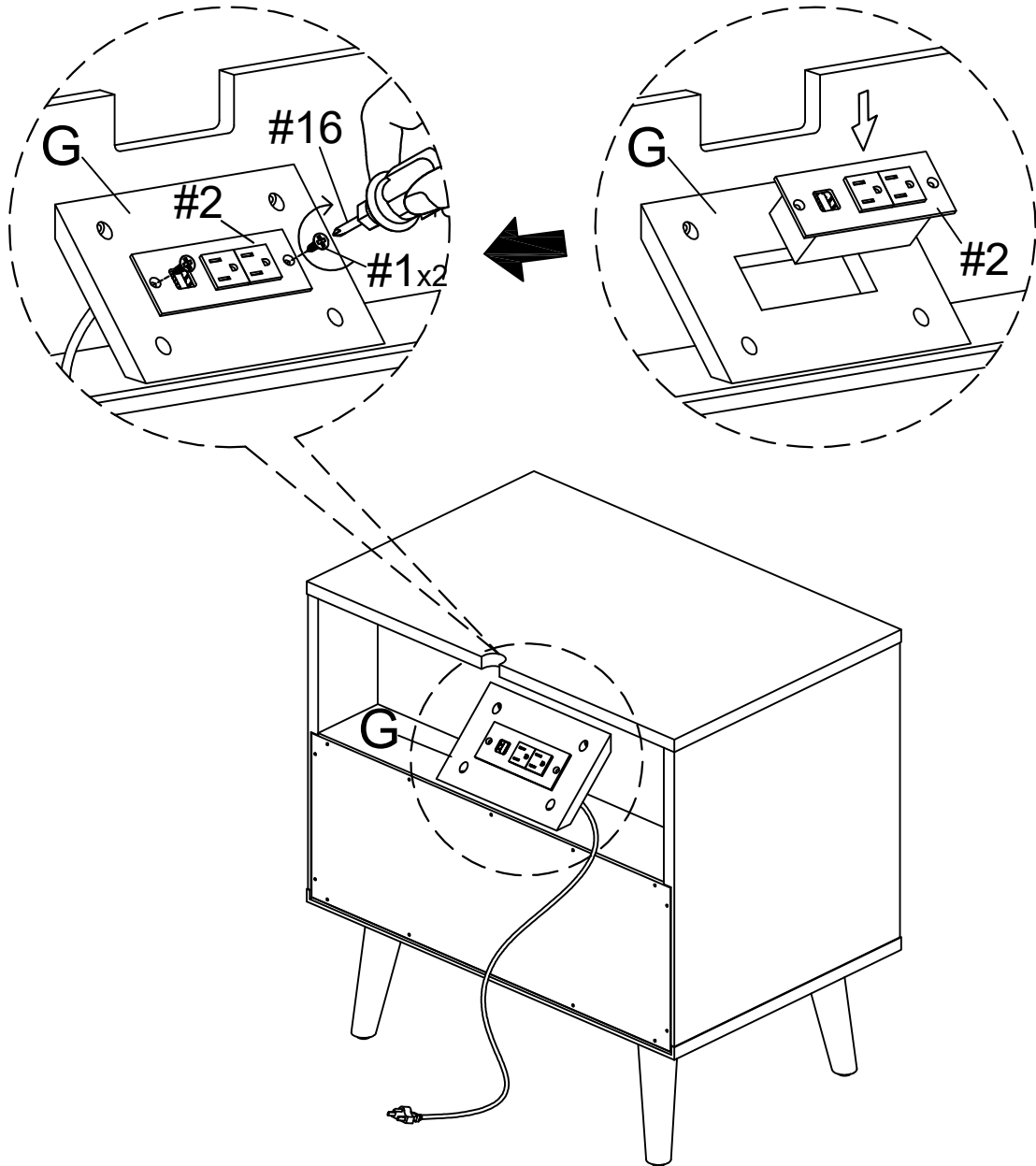


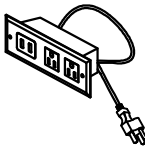

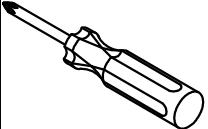
#3	x4	#16	x1
			
Ø4*25MM		Not including	

# ASSEMBLY INSTRUCTIONS

## STEP-7

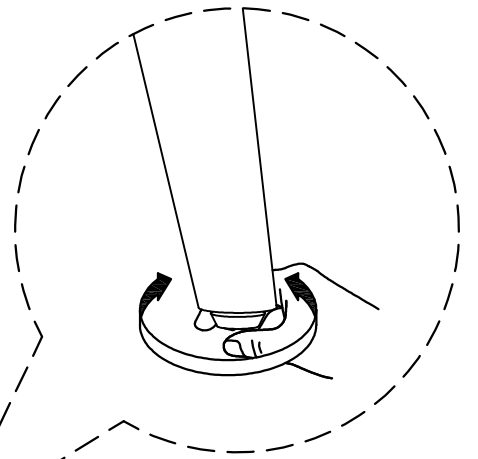
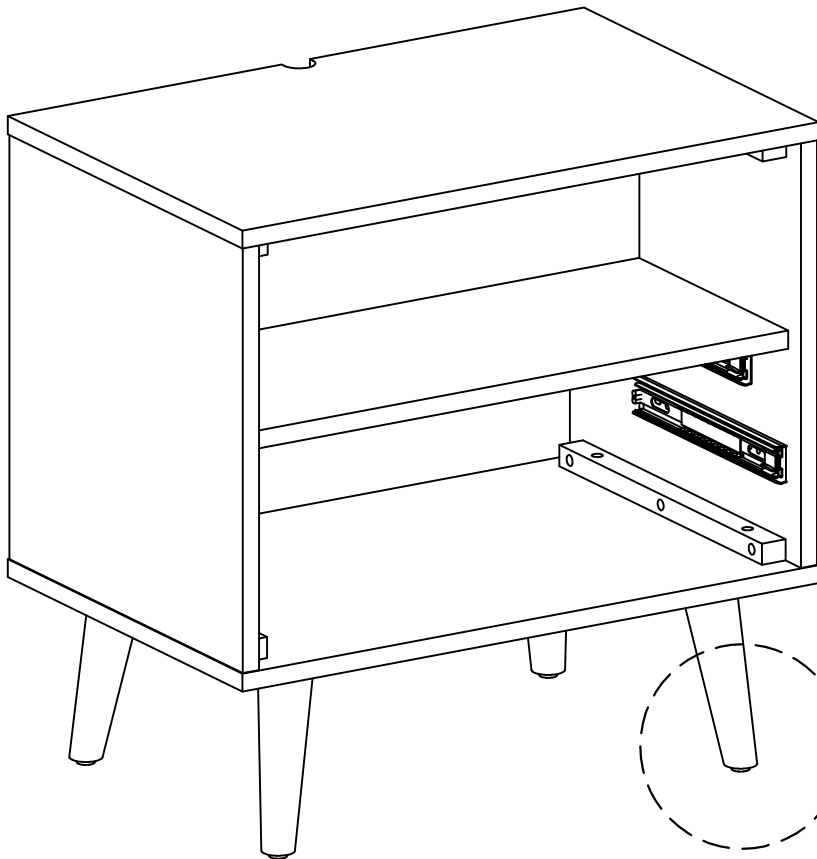
1. Insert part #2 into the preassembled step 6, make sure all holes aligned and use screw #1 to attach them, tighten screw #1 with screwdriver #16.




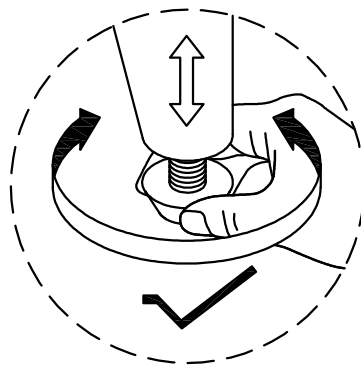
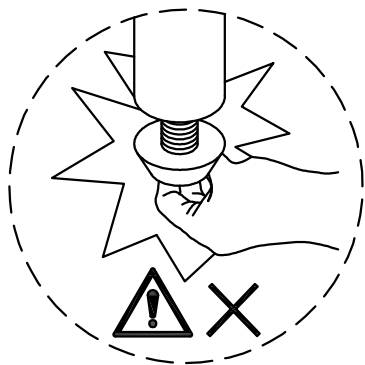
#2	x1	#1	x2	#16	x1
					
		Ø3*15MM		Not including	

# ASSEMBLY INSTRUCTIONS

## STEP-08



  
Attention:  
Before the next step, adjust the  
feet of the locker to keep it  
level.



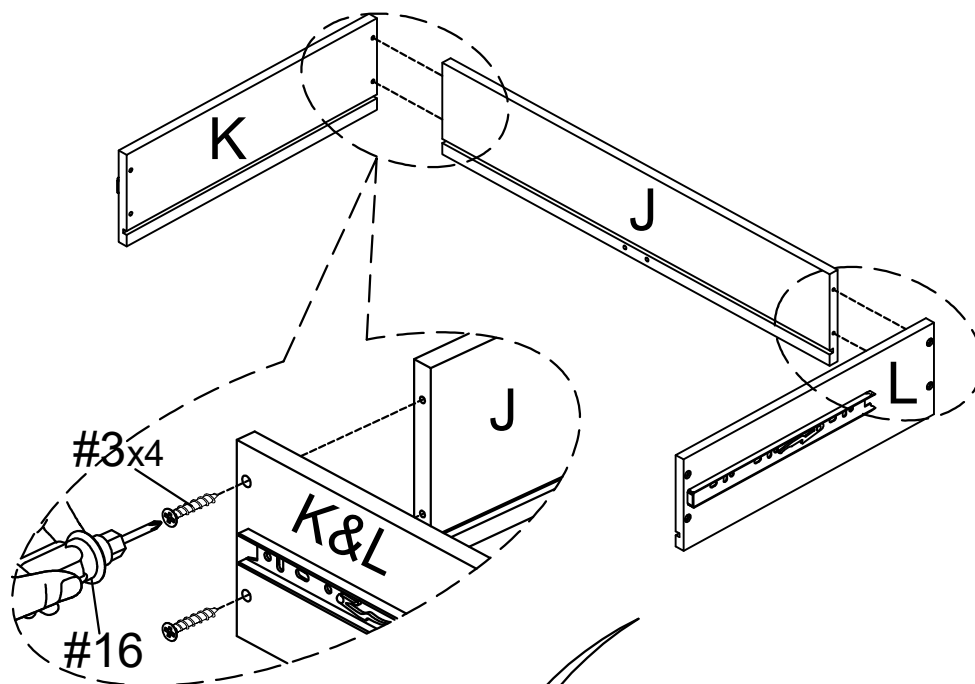
# ASSEMBLY INSTRUCTIONS

## STEP-09

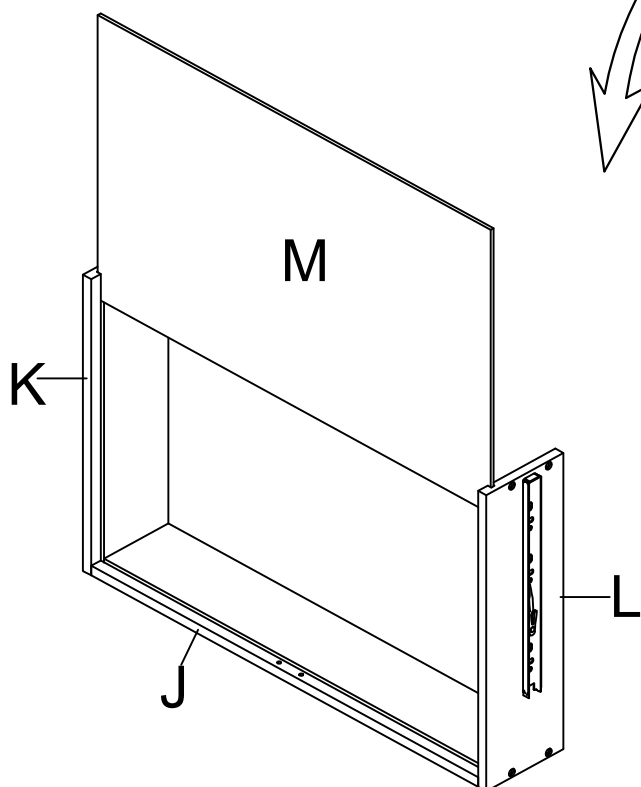
1. Connect part (K&L) to part (J) using screw #3 and tighten it with screwdriver #16.

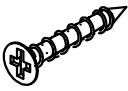
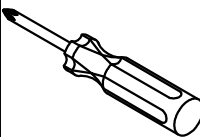
2. Slide in the part (M) into the groove in part (K&L). Make sure they are also in groove in part (J).

1:



2:



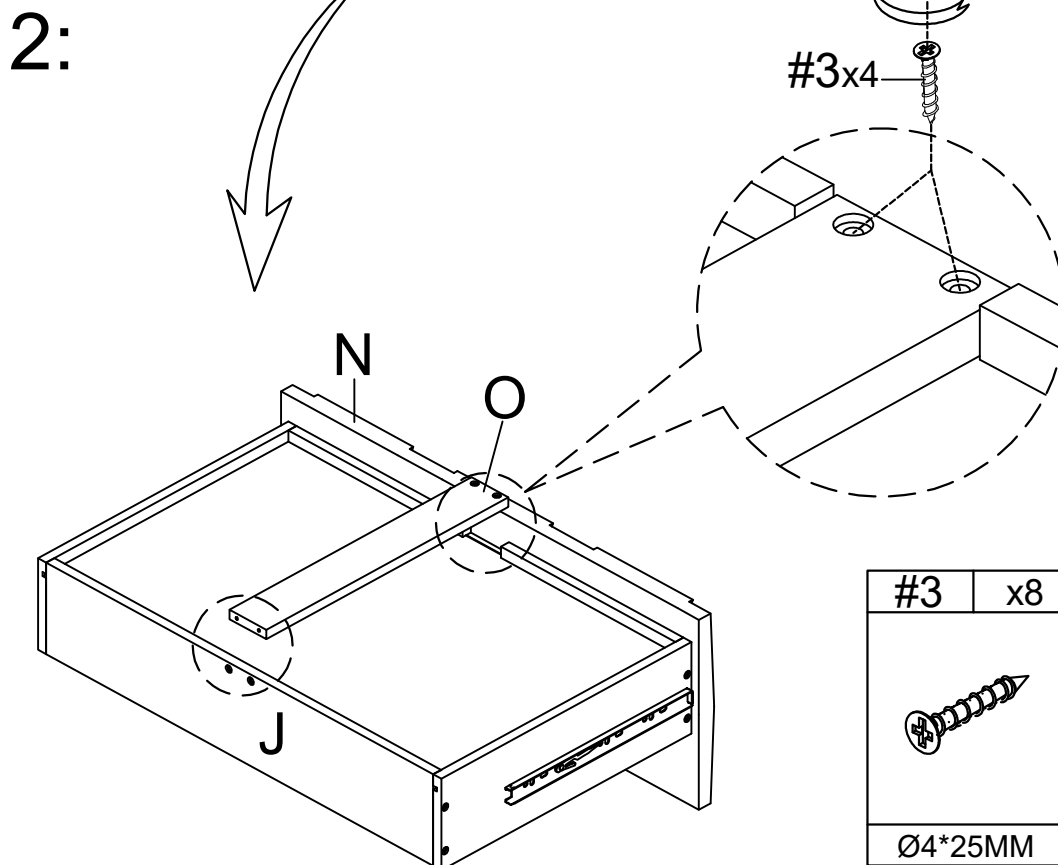
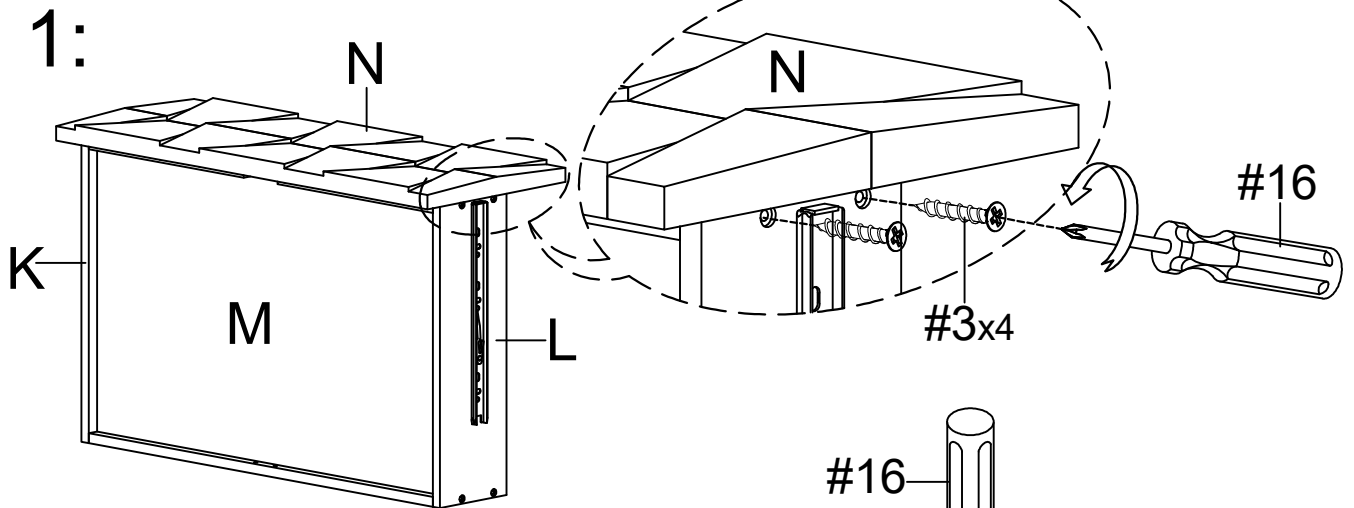
#3	x4	#16	x1
			
Ø4*25MM		Not including	

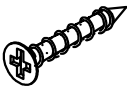
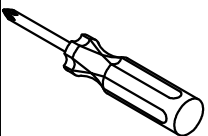
# ASSEMBLY INSTRUCTIONS

## STEP-10

1. Connect the (N) and (K&L) using screw #3, and tighten it with screwdriver #16.

2. Connect the (O) and (J&N) using screw #3, and tighten it with screwdriver #16.



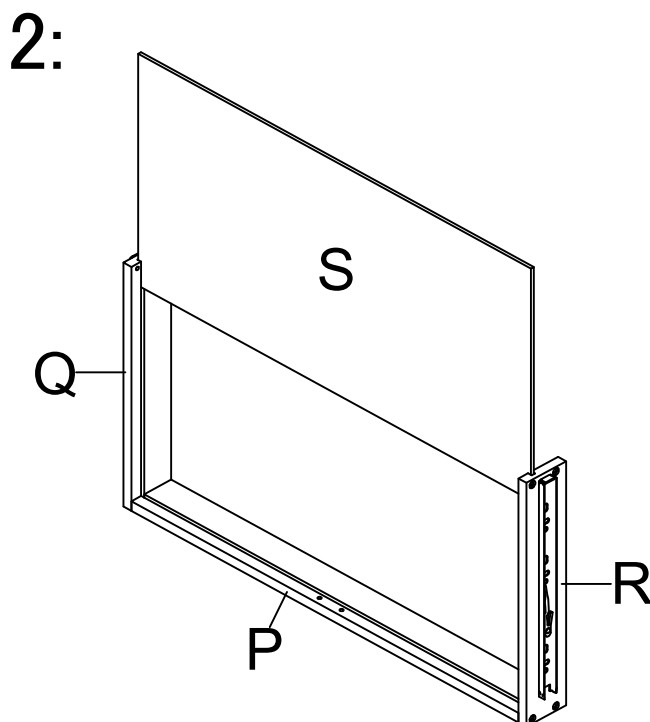
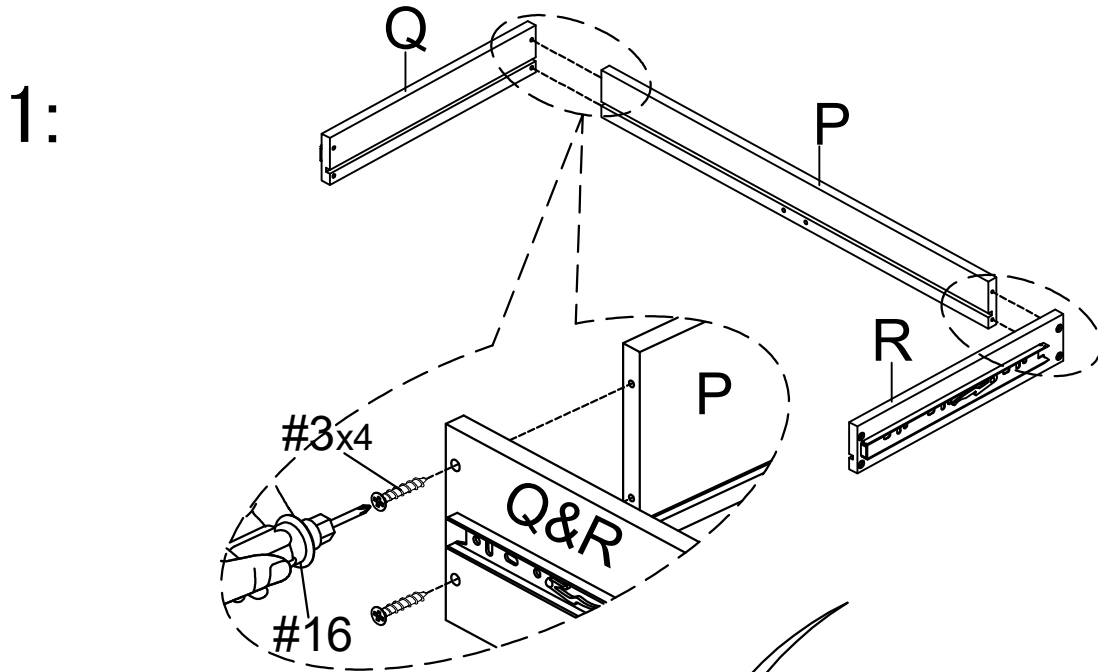
#3	x8	#16	x1
			
Ø4*25MM		Not including	

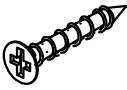
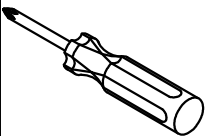
# ASSEMBLY INSTRUCTIONS

## STEP-11

1. Connect part (Q&R) to part (P) using screw #3 and tighten it with screwdriver #16.

2. Slide in the part (S) into the groove in part (Q&R). Make sure they are also in groove in part (P).



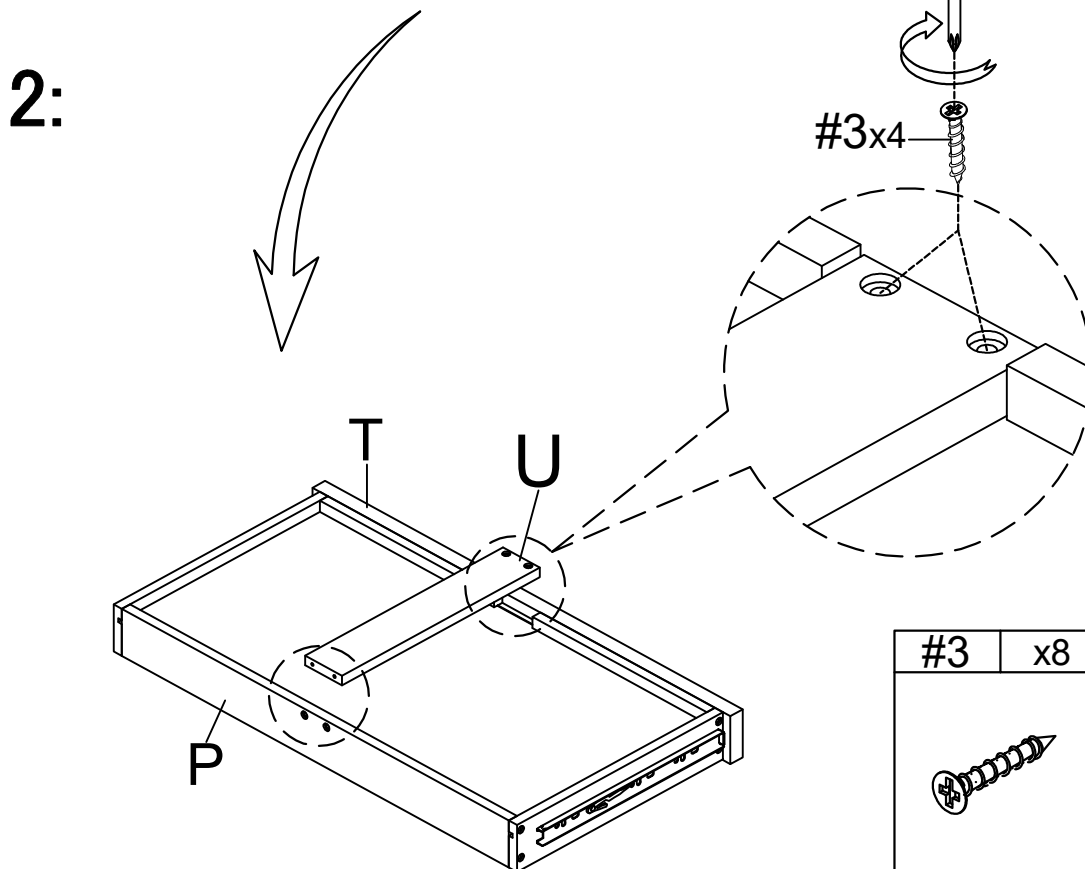
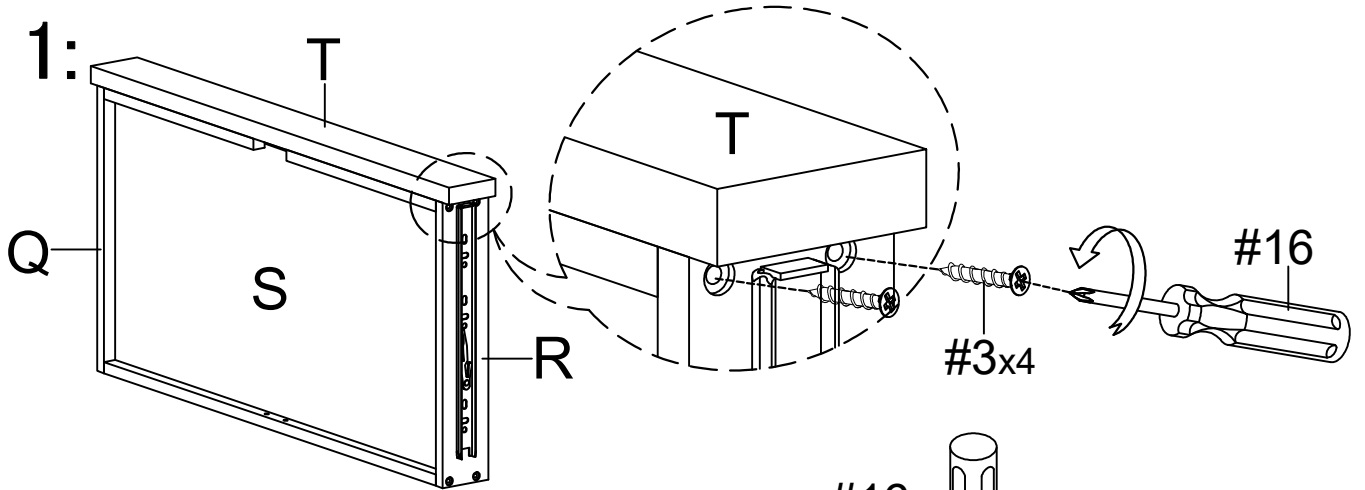
#3	x4	#16	x1
			
Ø4*25MM		Not including	

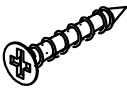
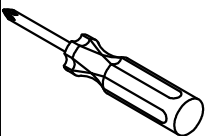
# ASSEMBLY INSTRUCTIONS

## STEP-12

1. Connect the (T) and (Q&R) using screw #3, and tighten it with screwdriver #16.

2. Connect the (U) and (P&T) using screw #3, and tighten it with screwdriver #16.



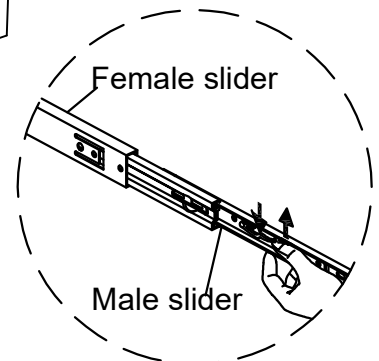
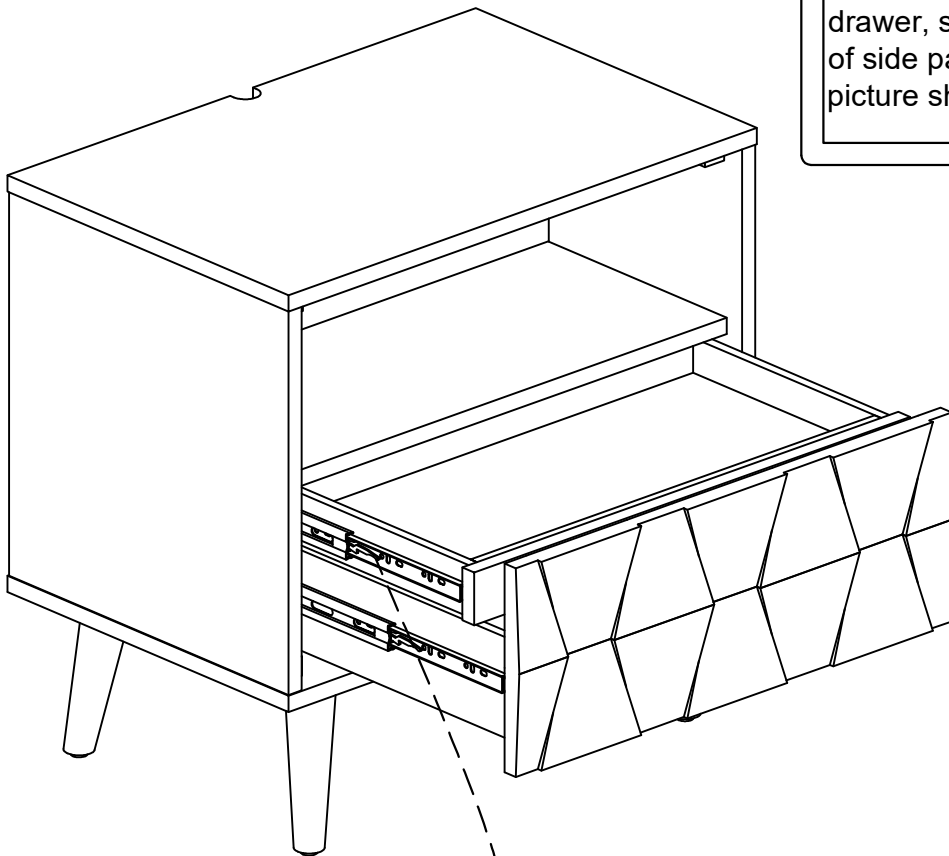
#3	x8	#16	x1
			
Ø4*25MM		Not including	

# ASSEMBLY INSTRUCTIONS

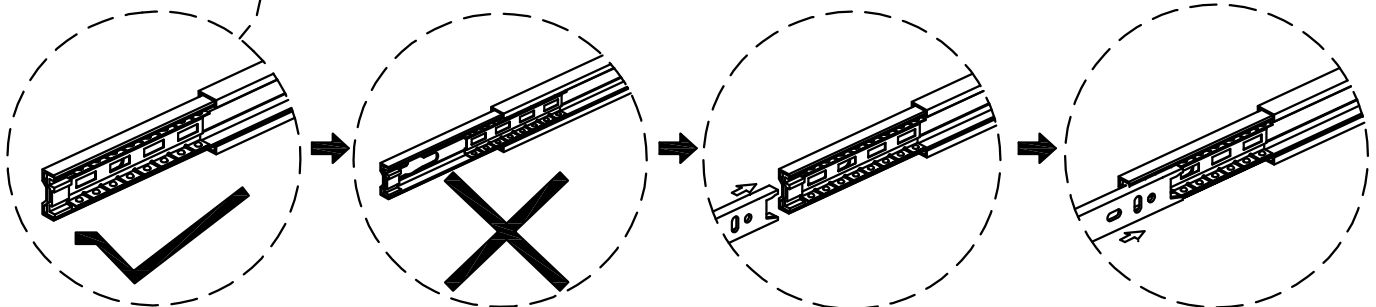
## STEP-13



Attention: When installing the drawer, slide the steel ball slide rail of side panel to the most front as picture show.



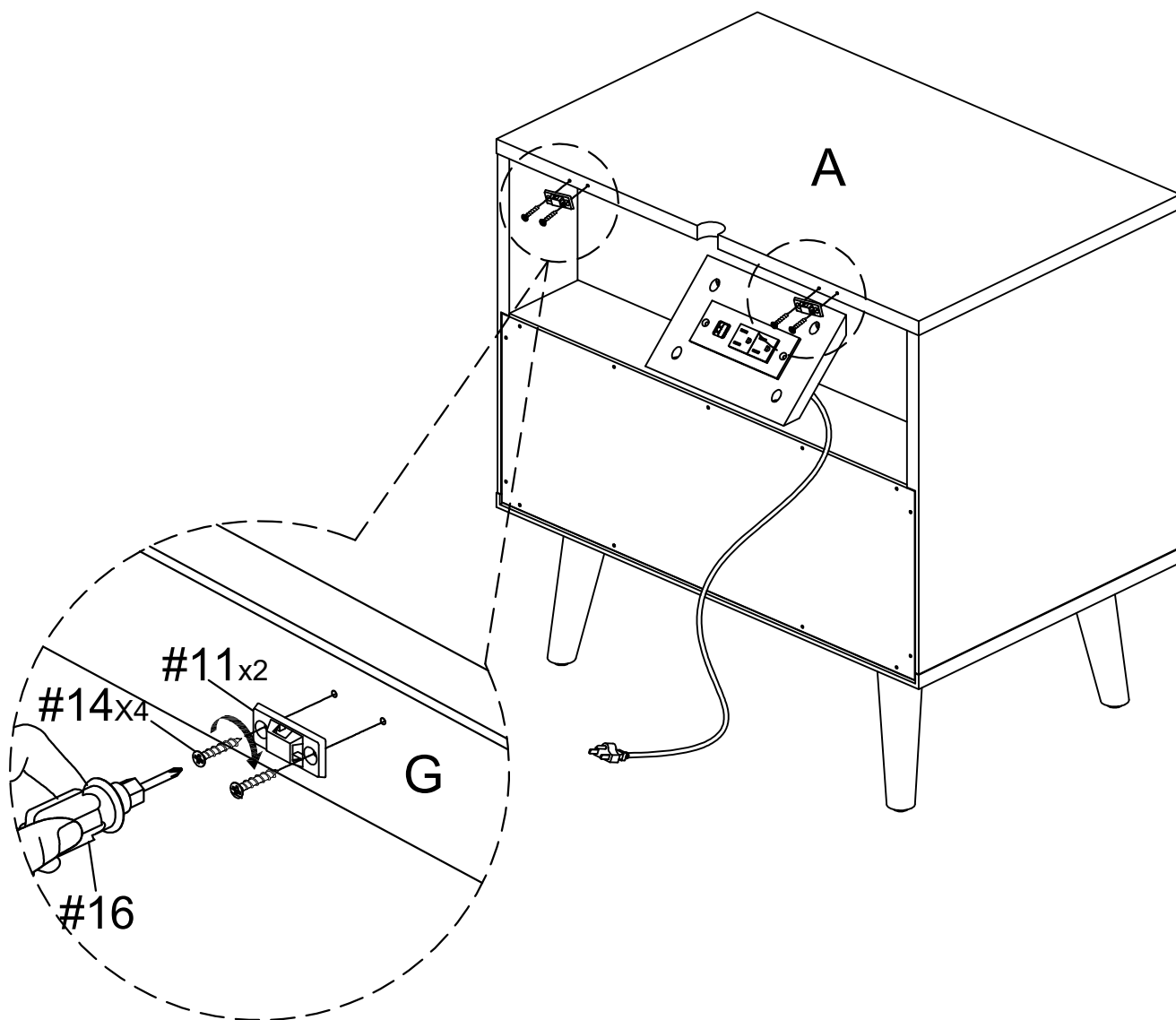
**Schematic diagram of slide rail disassembly**



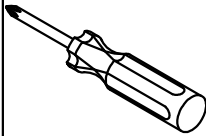


# ASSEMBLY INSTRUCTIONS

## STEP-14

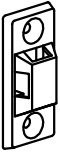

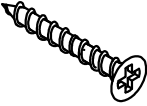
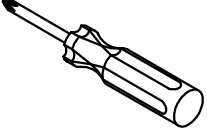
Use screw #14 to attach plastic bracket #11 to panel (A), make sure all holes aligned and tighten screw #14 with screwdriver #16.



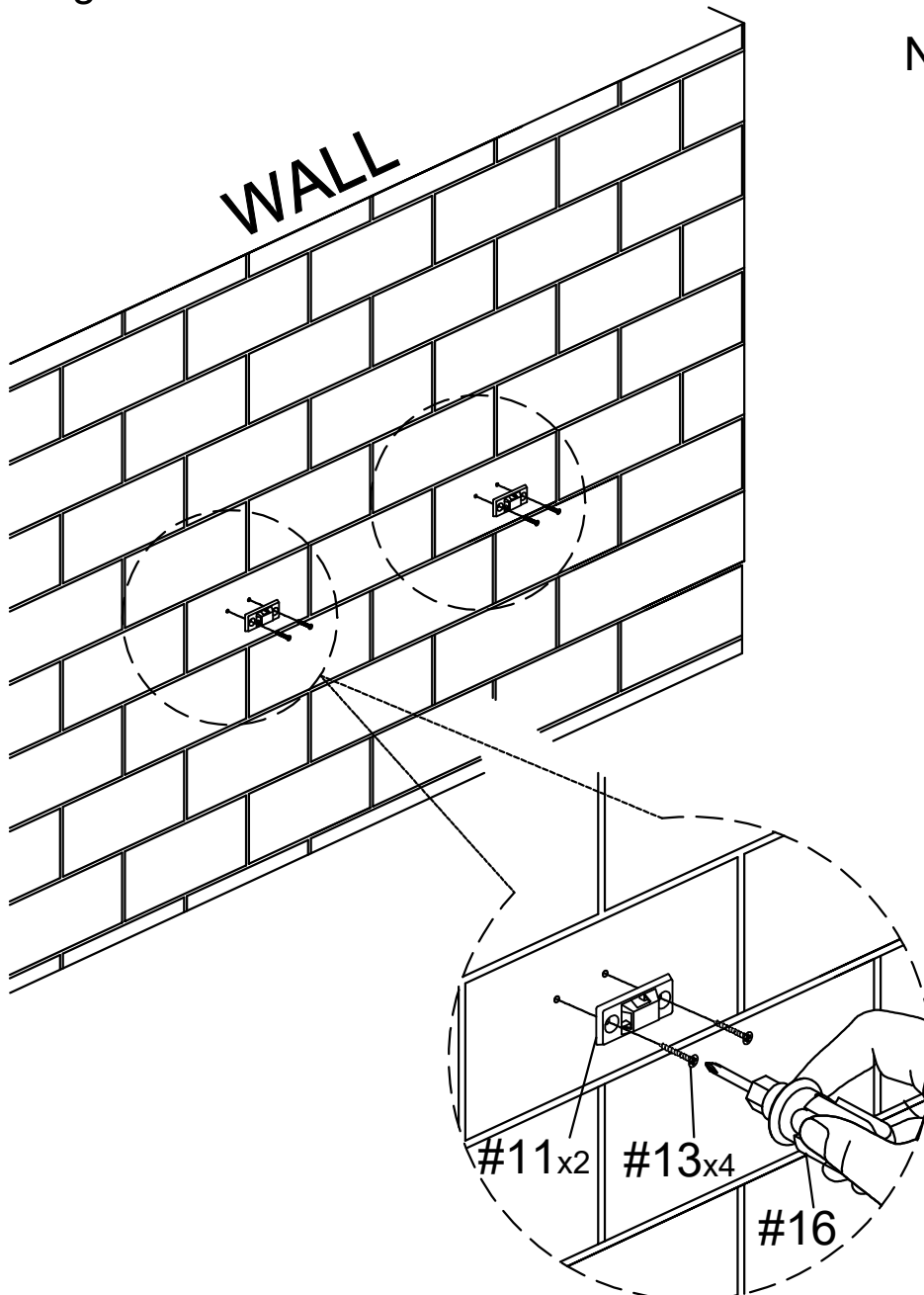
#11	x2	#14	x4	#16	x1
					
		Ø3*20MM		Not including	

# ASSEMBLY INSTRUCTIONS

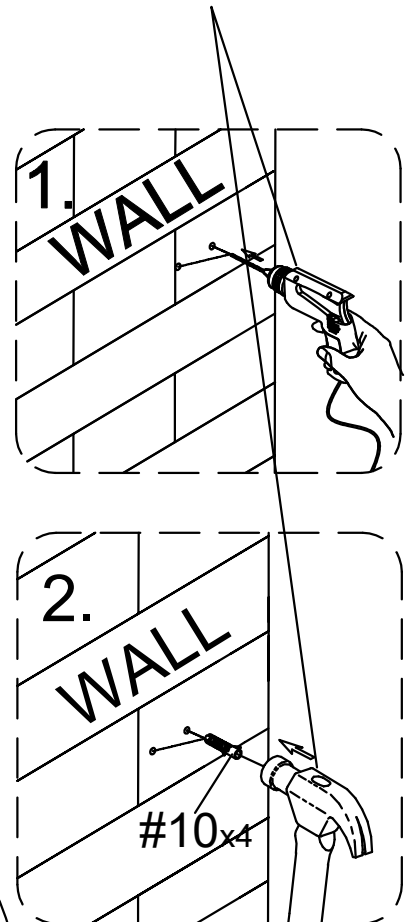
## STEP-15

#11	x2	#10	x4	#13	x4	#16	x1
							
				Ø4*38MM		Not including	

1. Mark the position on the wall, that corresponds to the location of bracket #11 on the panel A. Drill and insert the expandable screw #10 by hammer.
2. Assemble the bracket #11 to the wall. Align the hole in the bracket #11 with the expandable screw #10, use screw #13 to attach it, tighten screw #13 with screwdriver #16.

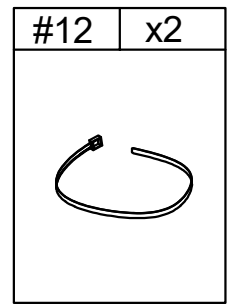


NOT PROVIDED

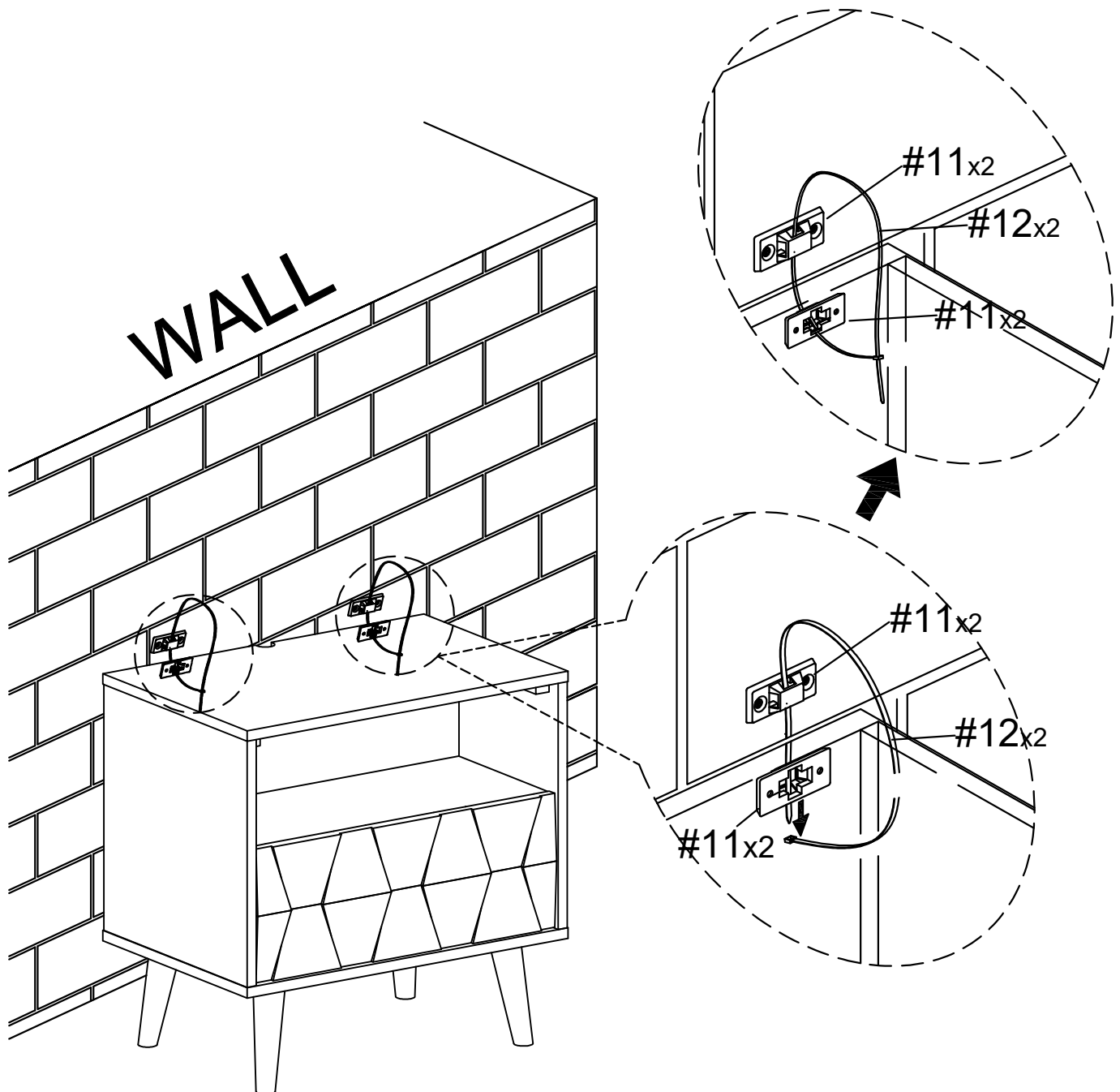


# ASSEMBLY INSTRUCTIONS

## STEP-16



3. Let the plastic belt #12 pass through bracket #11 and pull tightly.



# WARRANTY

1. We strive to offer high-quality products, and we also try our best to satisfy each and every customer that orders from us with product or service as needed.
2. We provide 30 days warranty starting from the time you receive the item. Each customer must provide a record of their order such as the order number, or item receipt for any items that are out of the warranty period you may also still receive.
3. Replacement parts by purchasing them with our company if they are available.