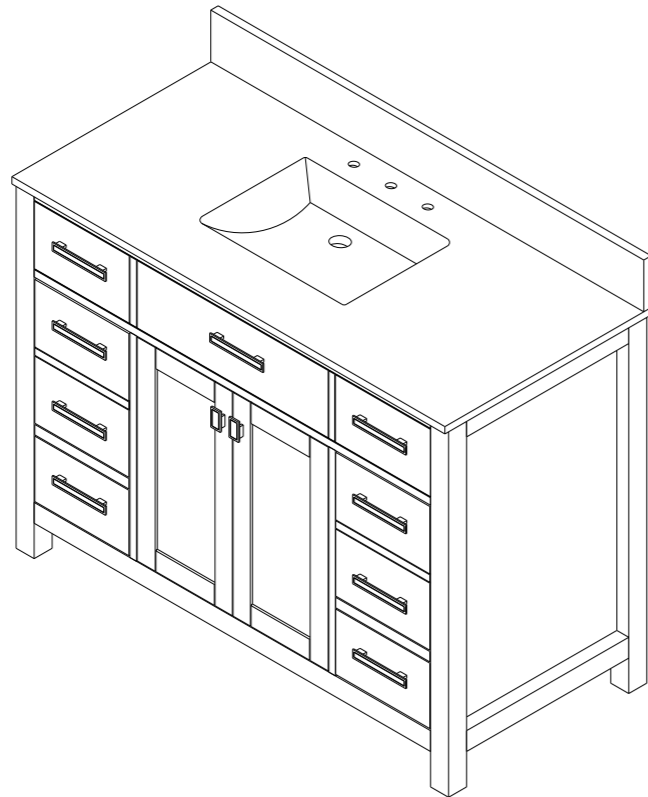


BATHROOM VANITY COLLECTION

ONE EIGHT 48
INSTALLATION MANUAL



Installation Manual

1. Carefully read the instructions before starting the Installation.
2. This vanity should be installed by an experienced Plumber.
3. Drain pipe and drain trap are not supplied. Connect to an existing drain pipe.

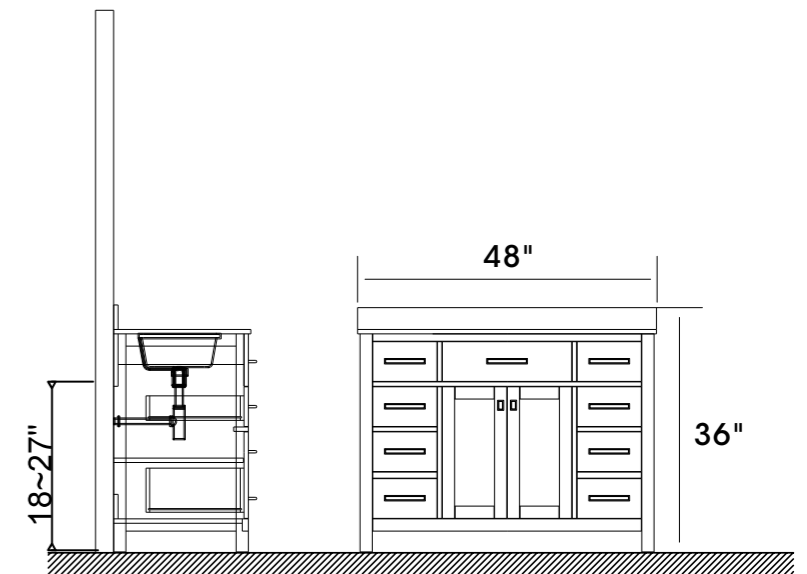
If you are missing any part, please stop and contact us immediately at: service24houronline@gmail.com

951-433-9027

408-728-6543

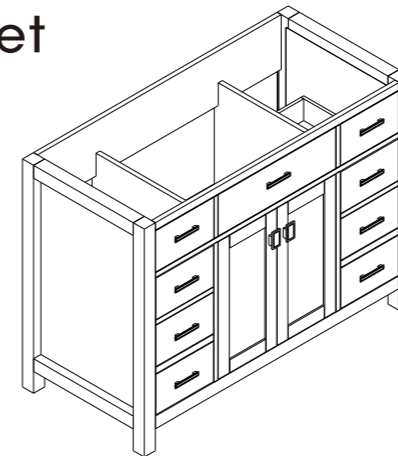
PARTS LIST

Prior to installation, please check the items you have received against the packing list. Report any missing items to your local dealer immediately. Protect all surfaces from sharp objects, high heat sources, direct prolonged sunlight and chemical hazards.

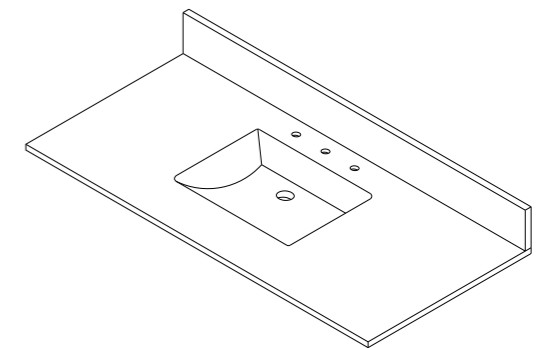


Professional installation is recommended.

Cabinet



Top

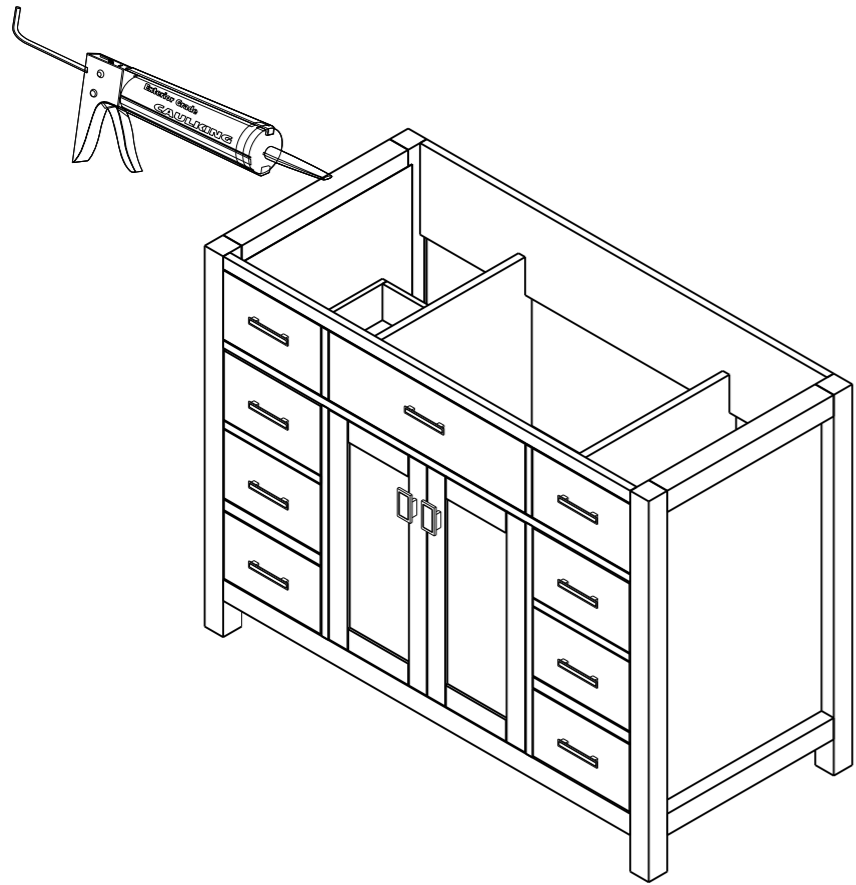


REQUIRED TOOLS

(not supplied)



Top installation



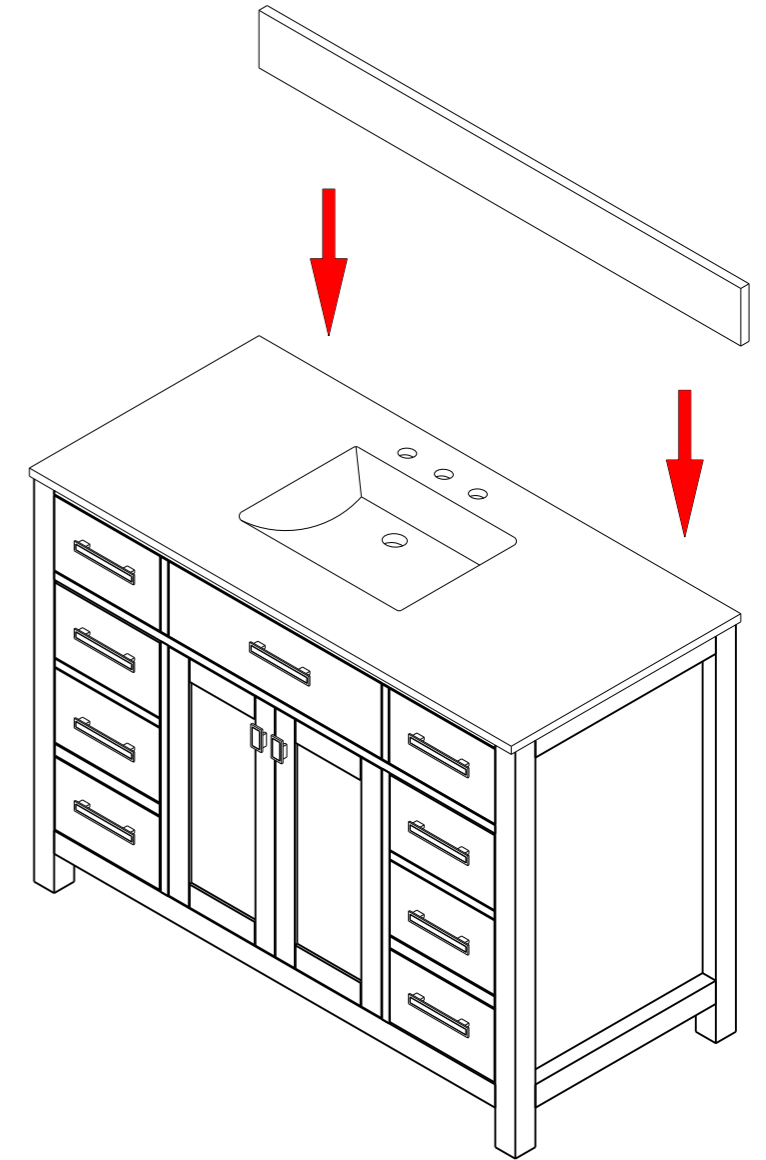
Apply adhesive around the top edges of the cabinet

STEP 1



Carefully place the top over the cabinet

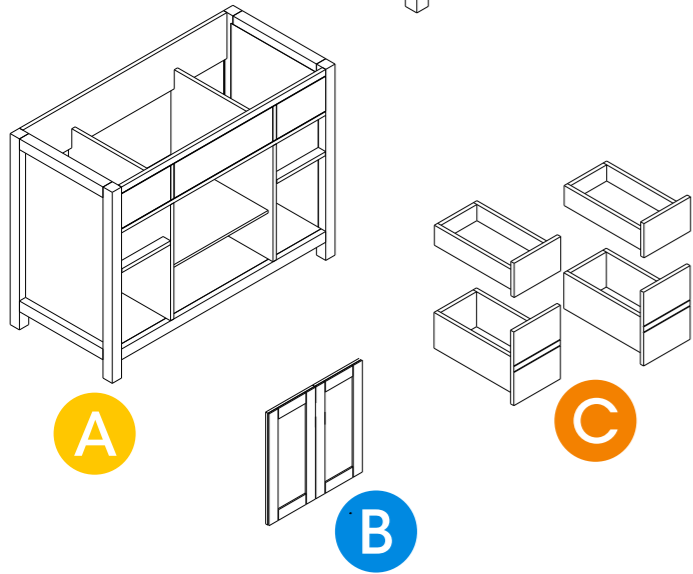
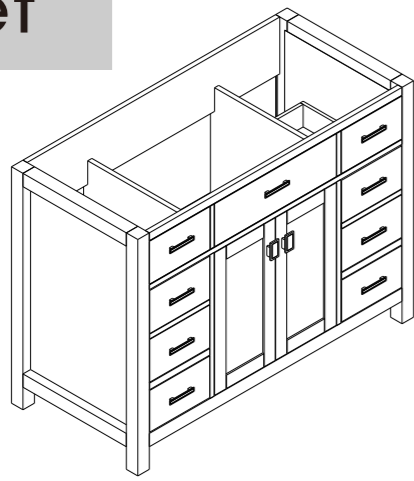
STEP 2



Align and center

STEP 3

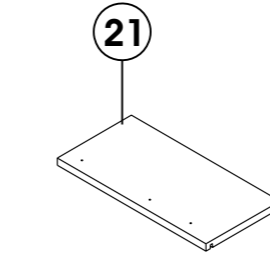
Cabinet



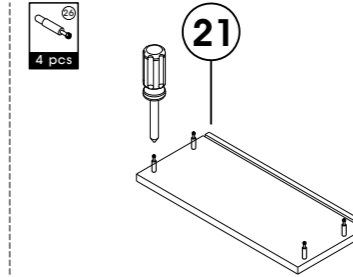
PART	NO.	Description	Quantity	Size
A	Cabinet Frame			
	1	Right Side Board	1	35" * 21.6" * 21.6"
	2	Left Side Board	1	35" * 21.6" * 21.6"
	3	Bottom Board	1	43.3" * 20.6" * 21.6"
	4	Connect Board 1	1	25.2" * 21.6" * 0.7"
	5	Connect Board 2	1	25.2" * 21.6" * 0.7"
	6	Fixed Shelf	1	20.9" * 20.9" * 0.7"
	7	Back Board 1	1	43.3" * 8.4" * 0.7"
	8	Back Board 2	1	43.3" * 3.9" * 0.7"
	9	False Drawer	1	43.3" * 8.4" * 0.7"
10	Connect Board 2	2	10.2" * 2.4" * 0.7"	
B	Door			
	11	Door(left)	1	21" * 10.3" * 0.8"
12	Door(right)	1	21" * 10.3" * 0.8"	
C	Drawer			
	13	Drawer Front 1	2	10.3" * 6.4" * 0.7"
	14	Drawer Front 2	2	13.9" * 10" * 0.7"
	15	Right Side Board For Drawer	2	15.7" * 3.9" * 0.6"
	16	Left Side Board For Drawer	2	15.7" * 3.9" * 0.6"
	17	Back Board For Drawer	2	8.2" * 3.9" * 0.6"
	18	Front Board For Drawer	2	8.2" * 3.9" * 0.6"
	19	Bottom Board For Drawer	4	15" * 8.5" * 0.2"
	20	Right Side Board For Drawer	2	15.7" * 7" * 0.6"
	21	Left Side Board For Drawer	2	15.7" * 7" * 0.6"
	22	Back Board For Drawer	2	8.2" * 7" * 0.6"
23	Front Board For Drawer	2	8.2" * 7" * 0.6"	
D	Install Fittings			
	24	Drawer Glides	8	15.7" * 2" * 0.5"
	25	Hinge (door)	4	3.9" * 2.4" * 1.54"
	26	Three-in-one Connector	81	∅0.57" * 0.46"
	27	Drawer Glide Screws	80	M4 * 14
	28	False Drawer Screws	16	M4 * 25
	29	Knob Screws	10	M4 * 22
	30	Handle Screws	2	M4 * 25
	31	Handle Screws	8	M4 * 38
	32	Wood Plug	25	∅0.31" * 1.26"
E	Handle & Knob			
	33	Knob	2	1.6" * 1" * 0.8"
34	Handle	9	5.2" * 1" * 0.8"	

INSTALLATION STEPS

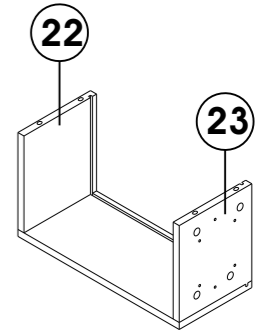
STEP 1 | Drawer



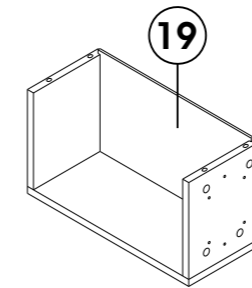
1-1



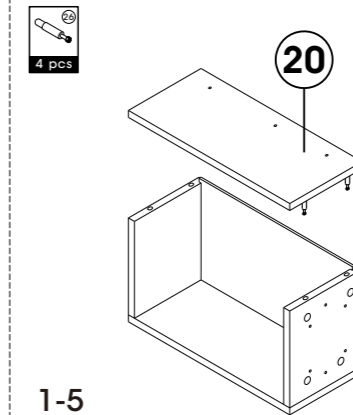
1-2



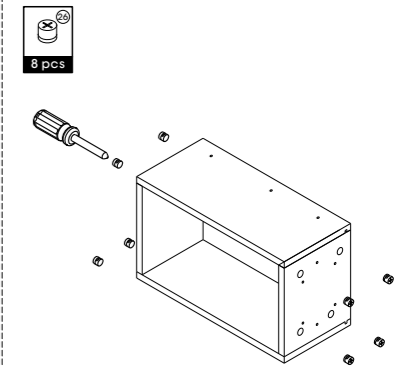
1-3



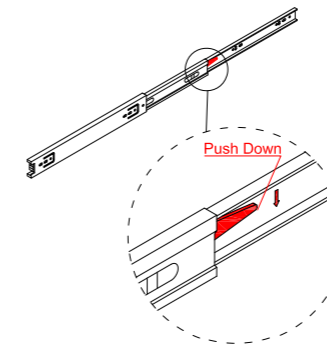
1-4



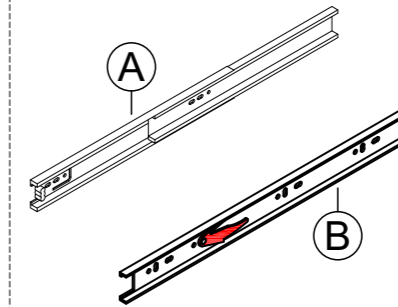
1-5



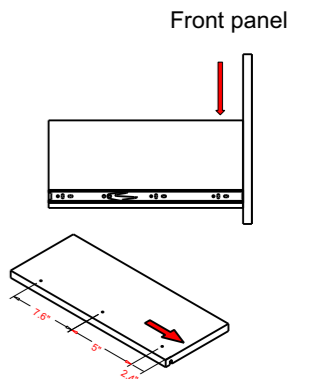
1-6



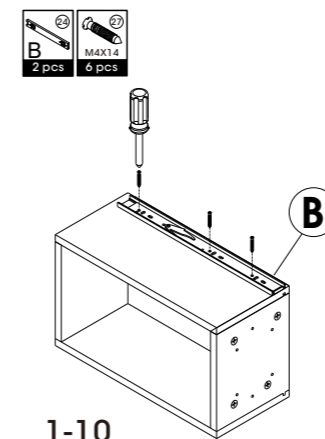
1-7



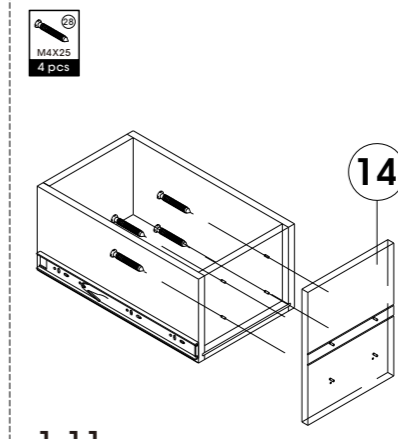
1-8



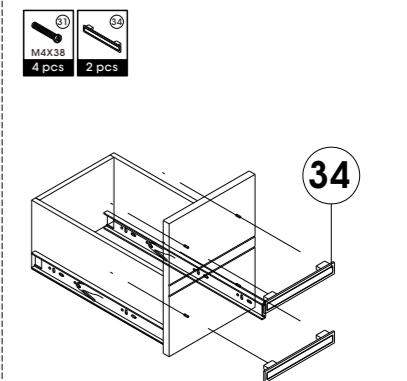
1-9



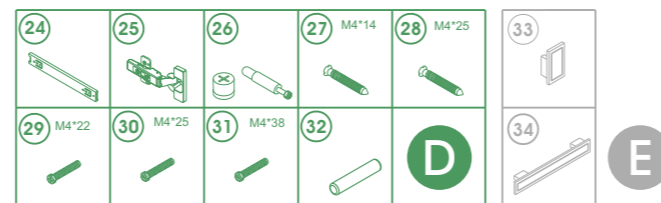
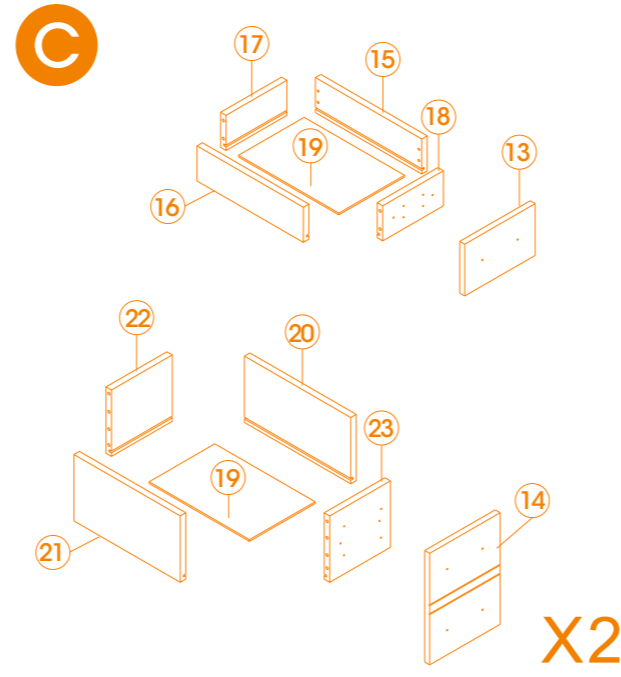
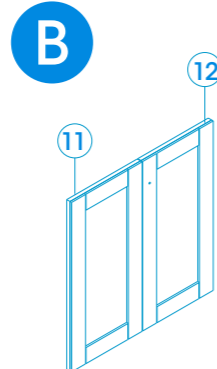
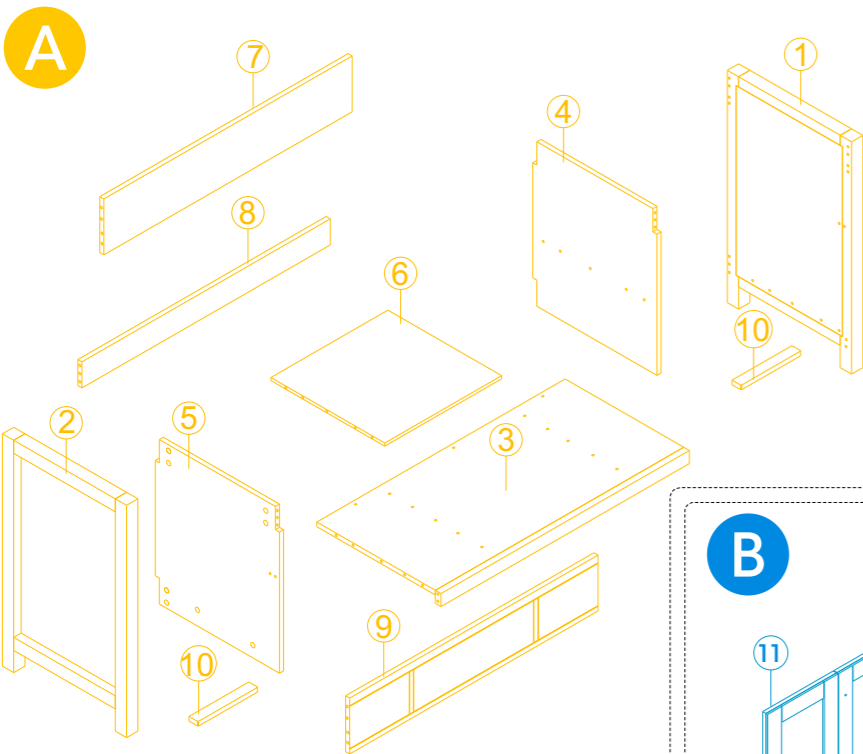
1-10



1-11



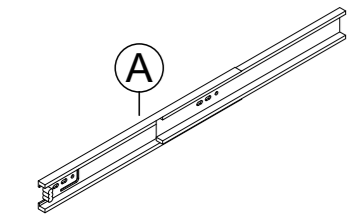
1-12



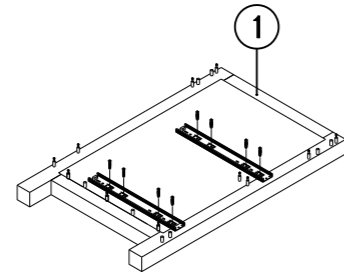
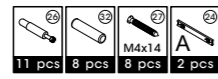
INSTALLATION STEPS

STEP 2 | Cabinet frame

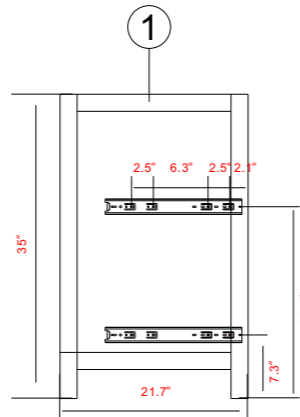
Connect Board 1 1-7/1-8



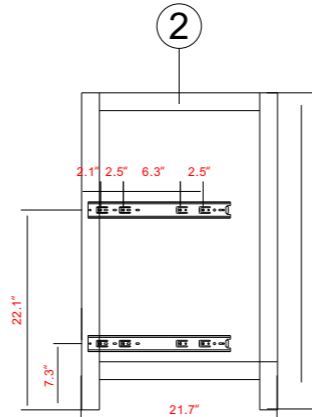
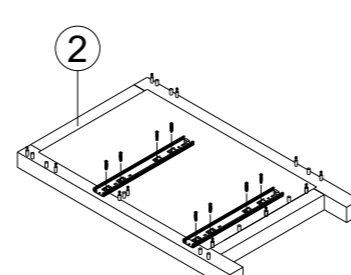
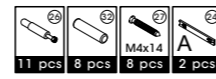
2-1



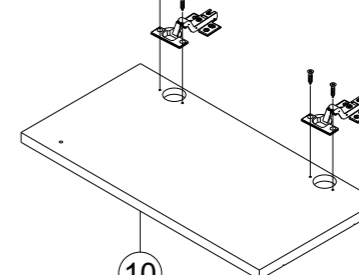
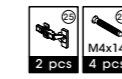
2-2



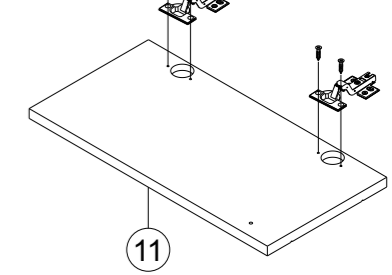
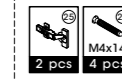
2-3



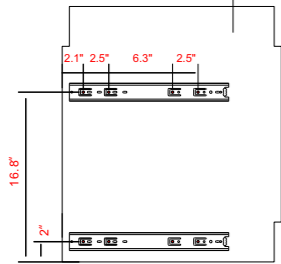
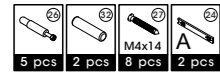
STEP 3 | Door



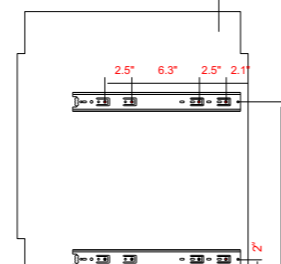
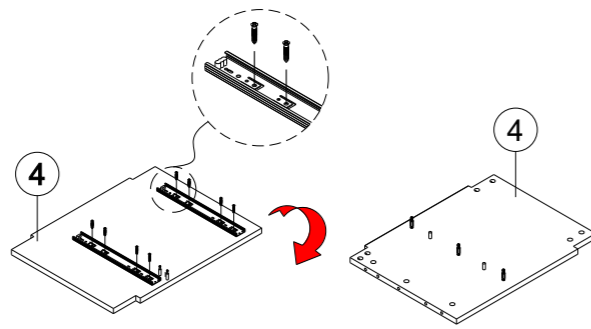
3-1



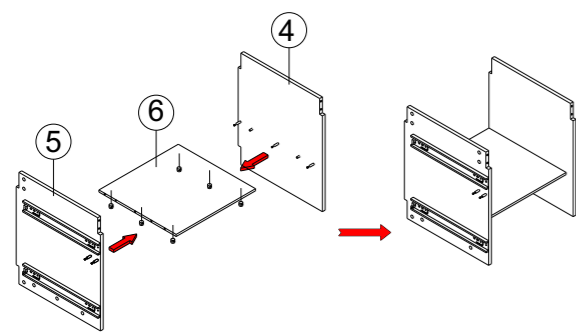
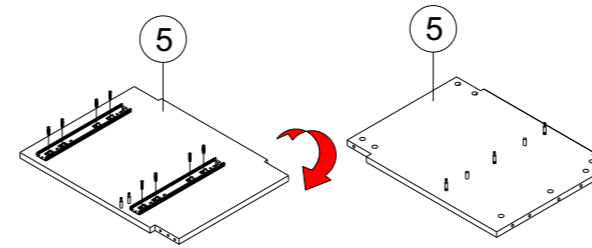
3-2



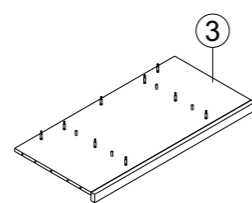
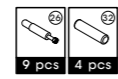
2-4



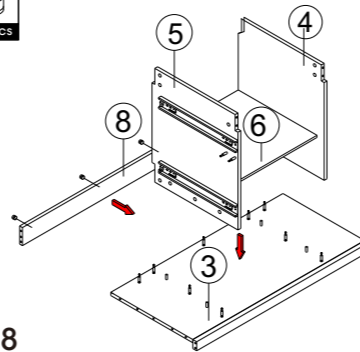
2-5



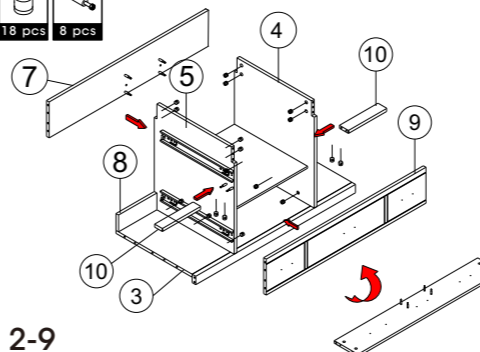
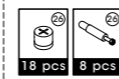
2-6



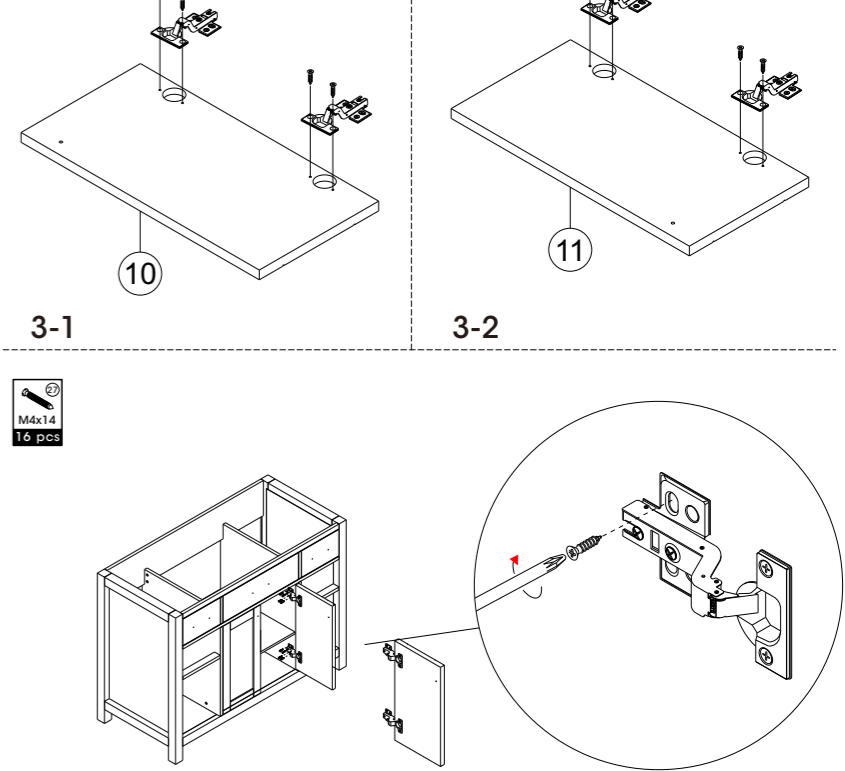
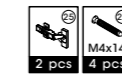
2-7



2-8

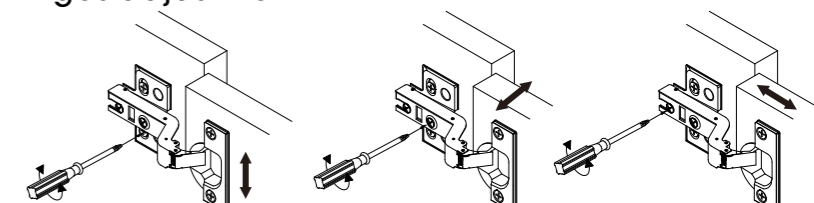


2-9

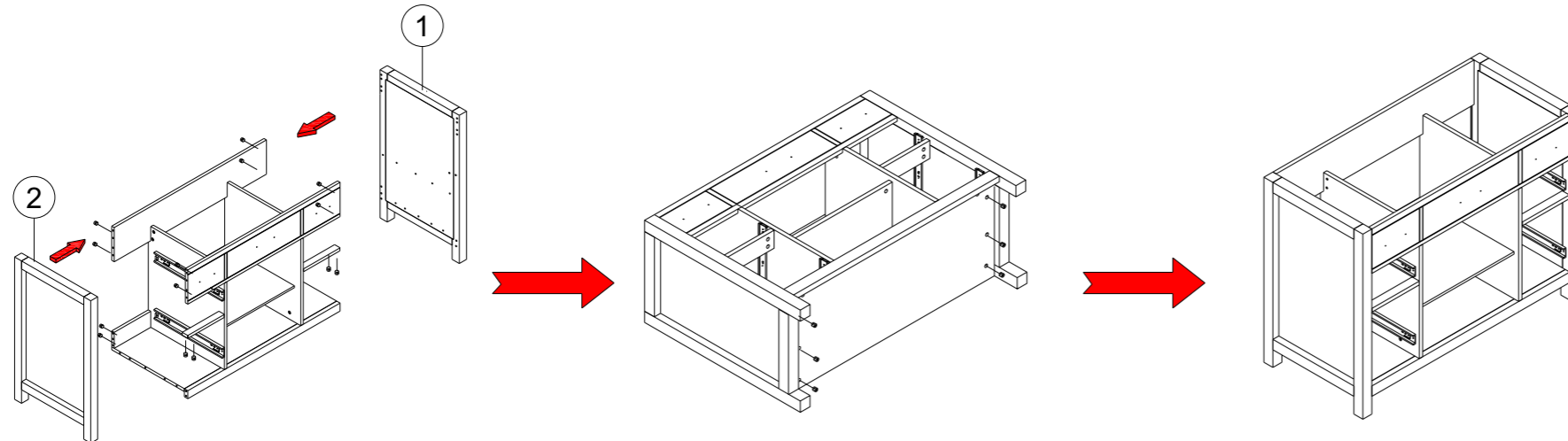


3-3

Hinges adjustment

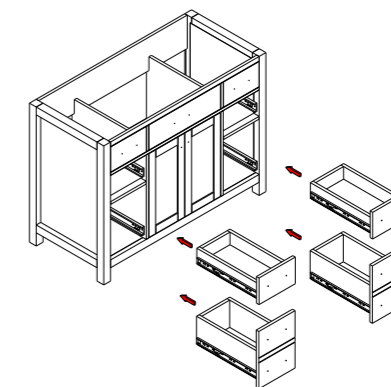
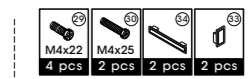


3-4

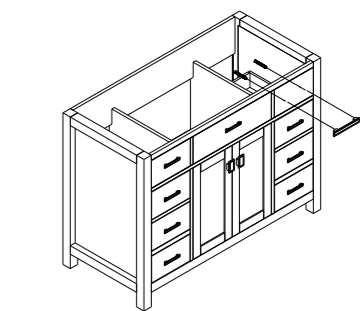


2-10

STEP 4 | Drawer and Finish



4-1



4-2