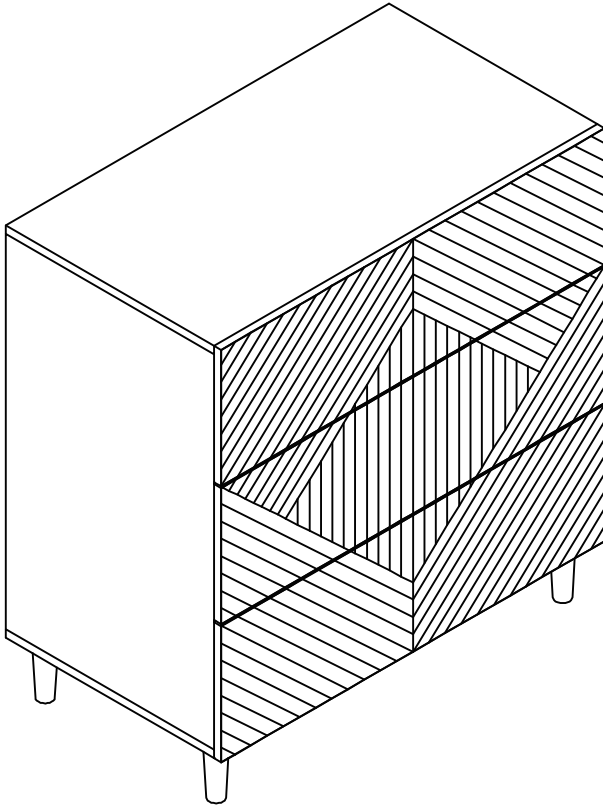


Instruction manual

80cm 3 Chest of Drawers



CONTENTS

Safety and care advice	1
Components	2
Assembly instructions	5
Copyright	16

⚠ SAFETY AND CARE ADVICE ⚠

PLEASE READ THESE INSTRUCTIONS CAREFULLY AND KEEP FOR FUTURE REFERENCE

- **Warning:** This unit weighs approximately 15.5kgs. Please lift with care.
- Check you have all the components and tools listed on pages 2 and 3.
- Remove all fittings from the plastic bags and separate them into their groups.
- Keep children and animals away from the work area, small parts could choke if swallowed.
- Make sure you have enough space to lay out the parts before starting.
- Do not stand or put weight on the product, this could cause damage.
- Assemble the item as close to its final position (in the same room) as possible.

- Assemble on a soft level surface to avoid damaging the unit or your floor (use opened out unit carton).



- We do not recommend the use of power drill/drivers **for inserting screws**, as this could damage the unit. Only use hand screwdrivers.
- Dispose of all packaging carefully and responsibly.

CARE AND MAINTENANCE

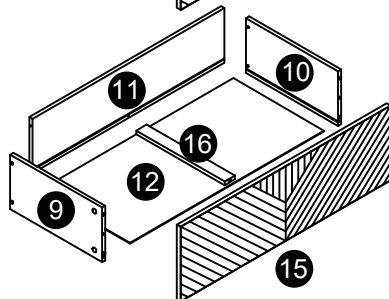
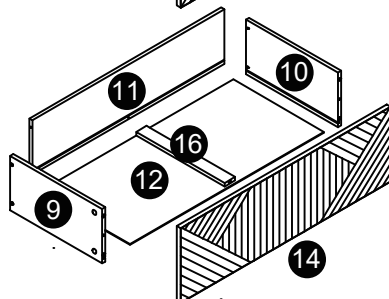
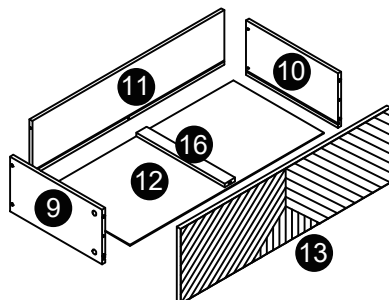
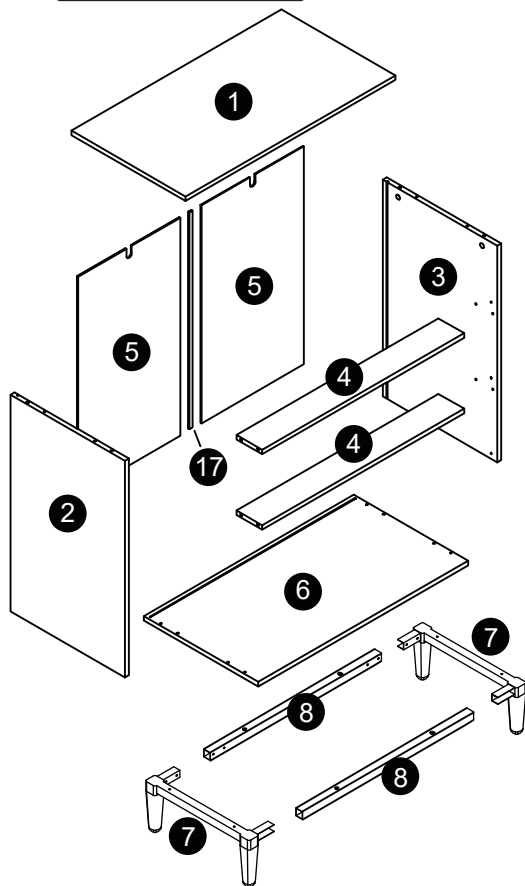
- Only clean using a damp cloth and mild detergent, do not use bleach or abrasive cleaners.
- From time to time check that there are no loose screws on this unit.

- This product should not be discarded with household waste. Take to your local authority waste disposal center.

Note *If required the next page can be cut out and used as reference throughout the assembly. Keep this page with these instructions for future reference.*

COMPONENTS

Please check you have all the panels listed below:

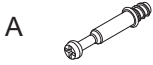


1	Top Panel	x1	10	Drawer Right Side Panel	x3
2	Left Side Panel	x1	11	Drawer Back Panel	x3
3	Right Side Panel	x1	12	Drawer Bottom Panel	x3
4	Support bar	x2	13	Drawer Front Panel	x1
5	Back Panel	x2	14	Drawer Front Panel	x1
6	Bottom Panel	x1	15	Drawer Front Panel	x1
7	Leg	x2	16	Drawer Support bar	x3
8	Iron bar	x2	17	Support Hardware	x1
9	Drawer Left Side Panel	x3			



COMPONENTS

Please check you have all the fittings listed below:



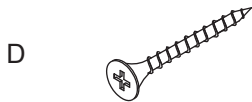
Metal Dowel x 27



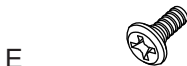
Lock (Ø15x10mm) x 27



Wooden Dowel (Ø6x30mm) x 14



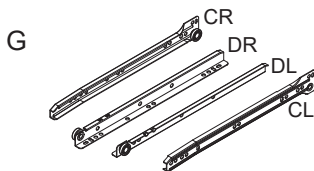
Screw (Ø4x35mm) x 4



Screw (Ø6x12mm) x 8



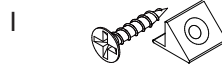
Screw (Ø6x30mm) x 8



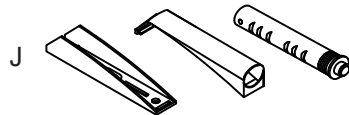
Drawer runner x 3



Screw (Ø3.5x12mm) x 24



Back Support x 10



Ejection switch x 3



Screw (Ø3x12mm) x 6



Screw (Ø4x30mm) x 15



L lock wall x 2

TOOLS NEEDED
(We don't provide)



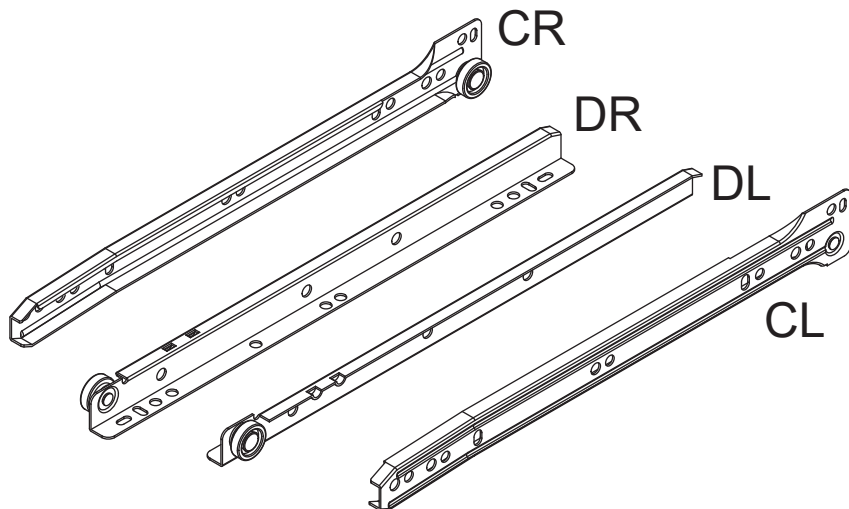
Phillips Screwdriver x 1



DRAWER RUNNER INSTRUCTION

△ IMPORTANT - Please read carefully - 1 Pair of drawer runners includes 4 pieces.

Part G includes CR\DR\DL\CL .

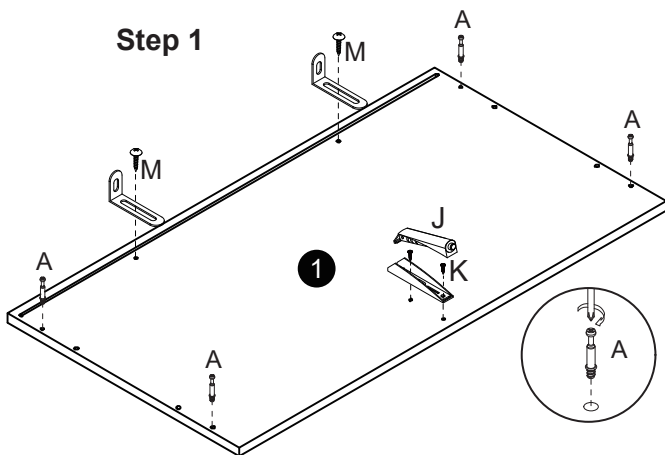


Fittings (not to scale)

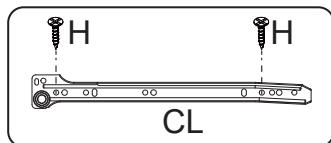
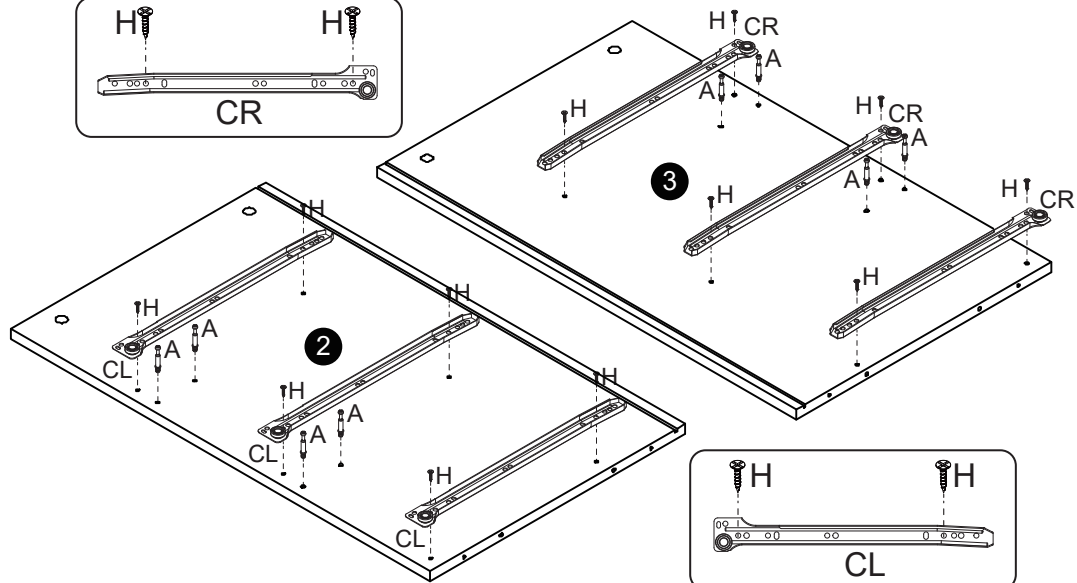
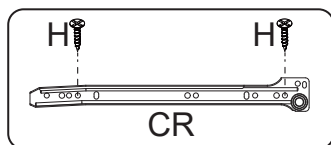
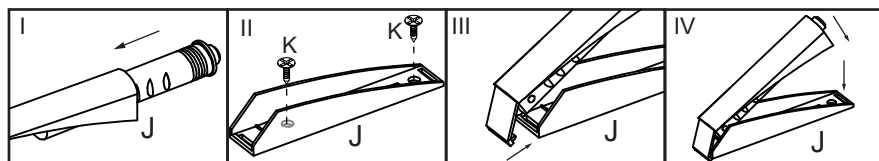
No.	Description	Qty	
CR	Outer Drawer Runner - Right	3	
CL	Outer Drawer Runner - Left	3	
DR	Inner Drawer Runner - Right	3	
DL	Inner Drawer Runner - Left	2	

ASSEMBLY INSTRUCTIONS

Step 1

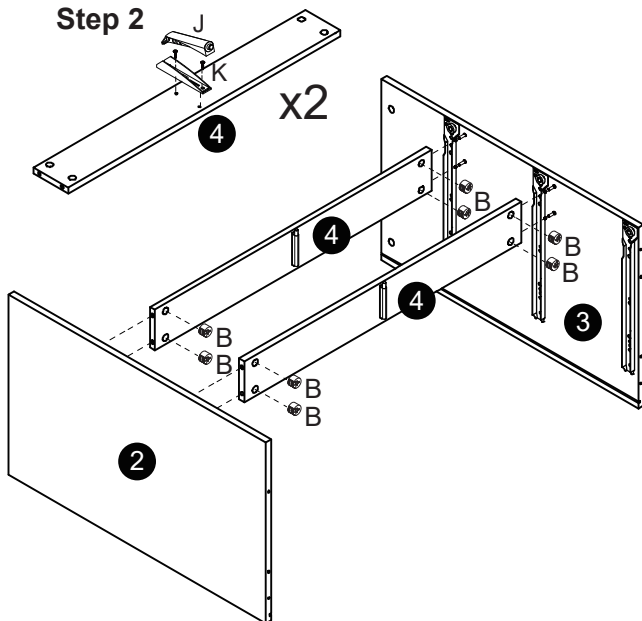






A		12	
H		12	
J		1	
K		2	
M		2	
CR		3	
CL		3	



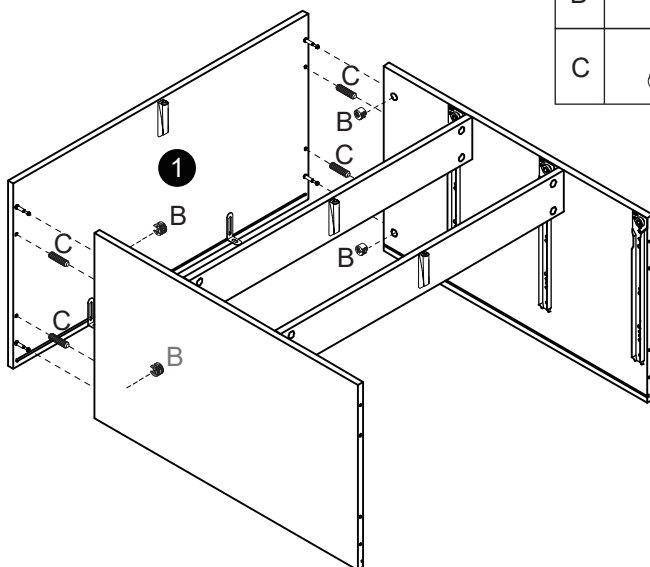
ASSEMBLY INSTRUCTIONS



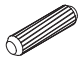
Step 2



B		8	
J		2	
K		4	

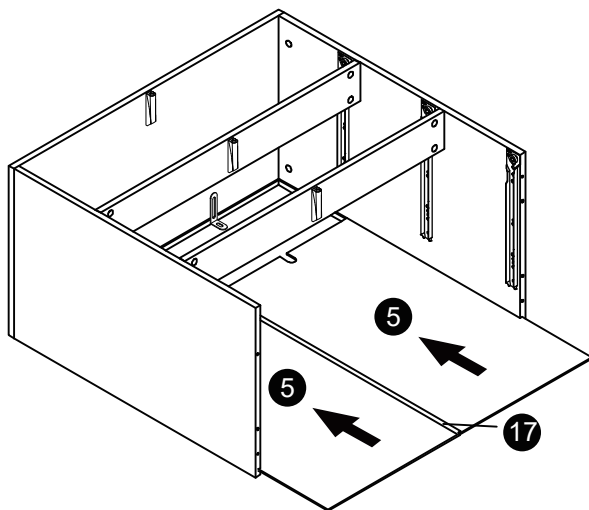
Step 3



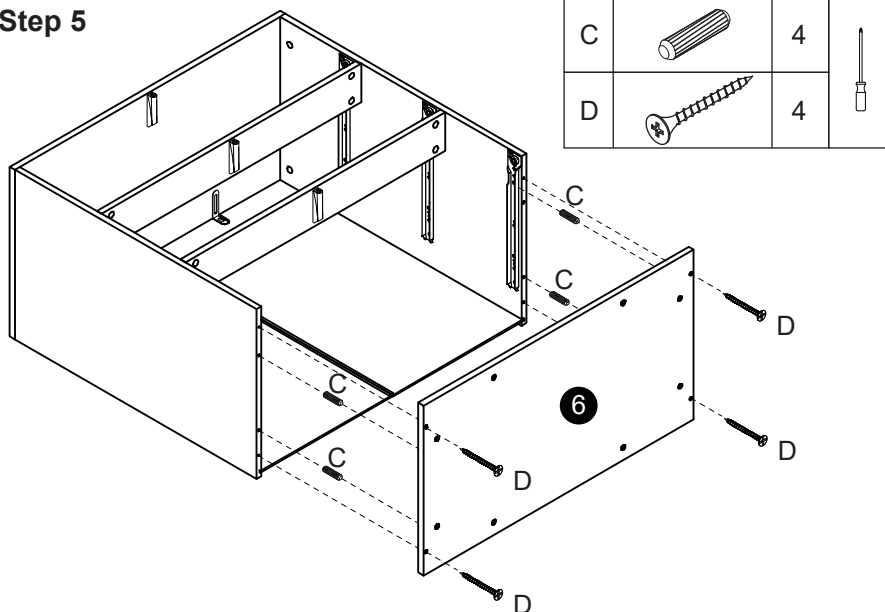
B		4	
C		4	

ASSEMBLY INSTRUCTIONS

Step 4

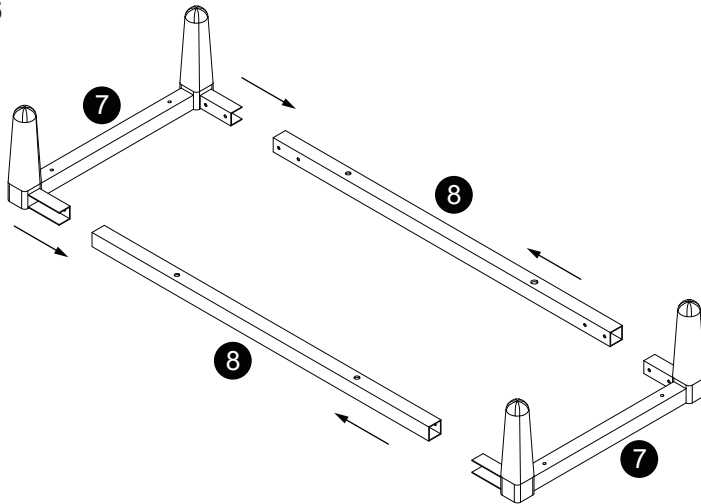


Step 5

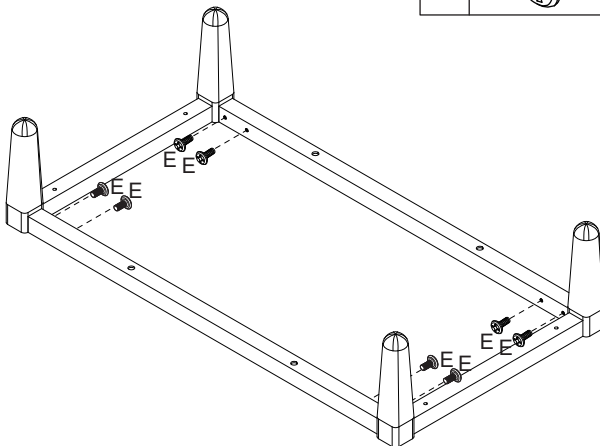
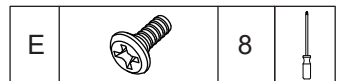


ASSEMBLY INSTRUCTIONS

Step 6

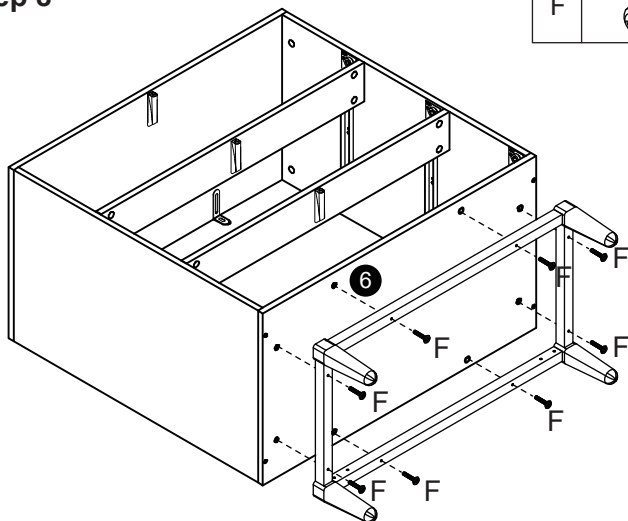
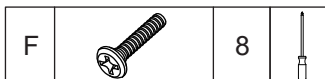


Step 7

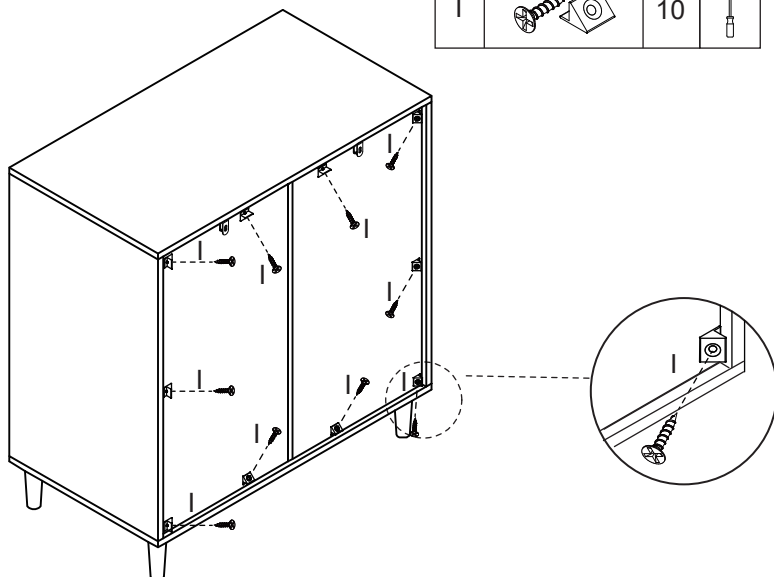
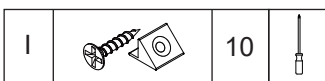


ASSEMBLY INSTRUCTIONS

Step 8

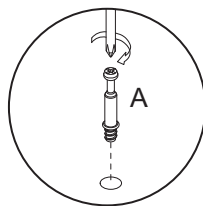
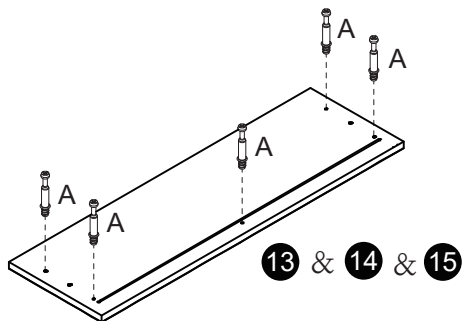
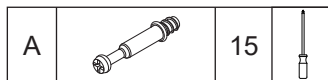


Step 9

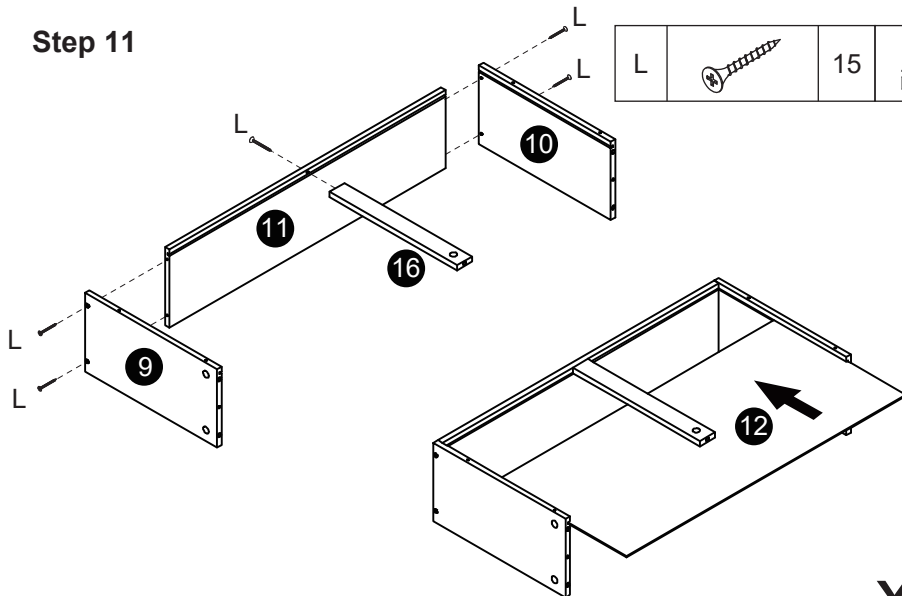
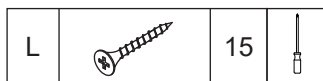


ASSEMBLY INSTRUCTIONS

Step 10






Step 11

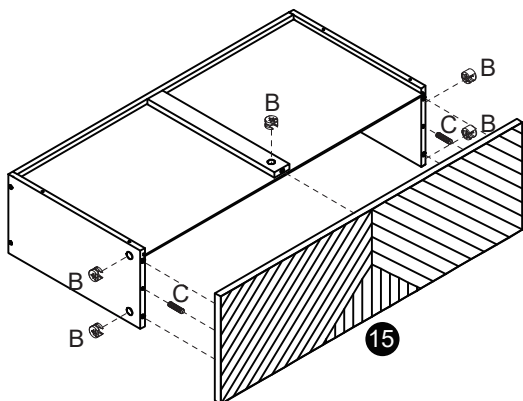
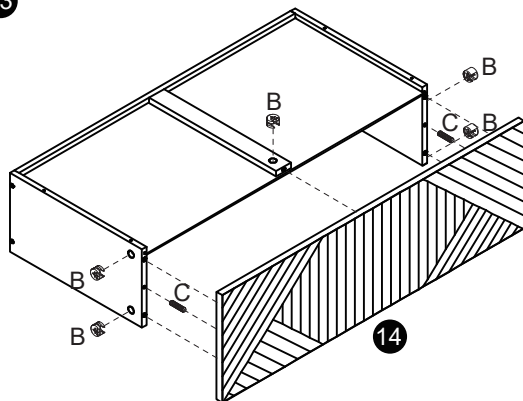
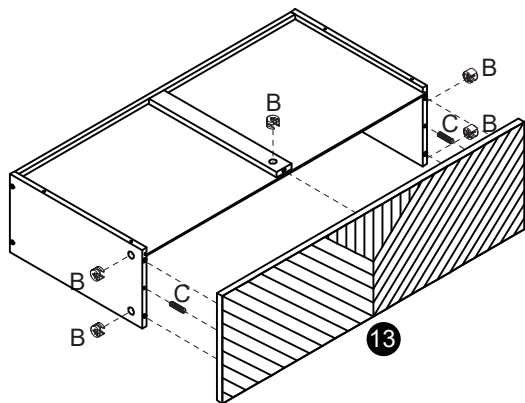


x3

ASSEMBLY INSTRUCTIONS

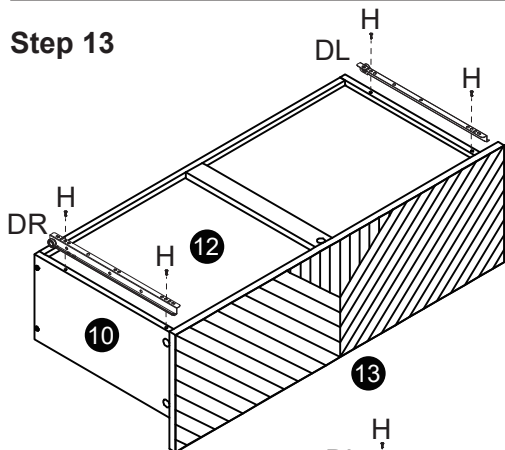
Step 12



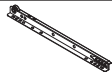

B		15	
C		6	

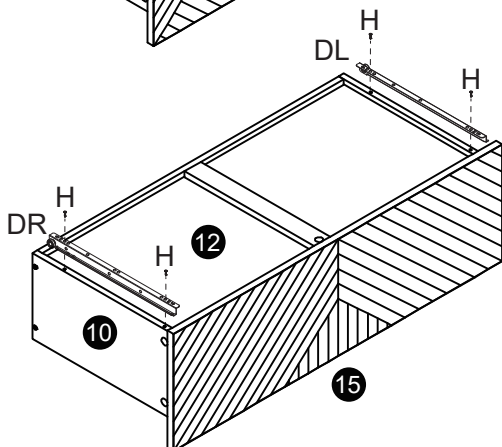
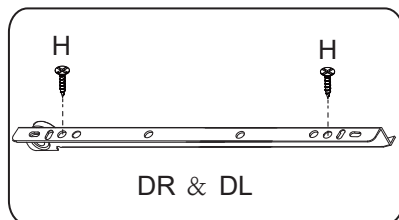
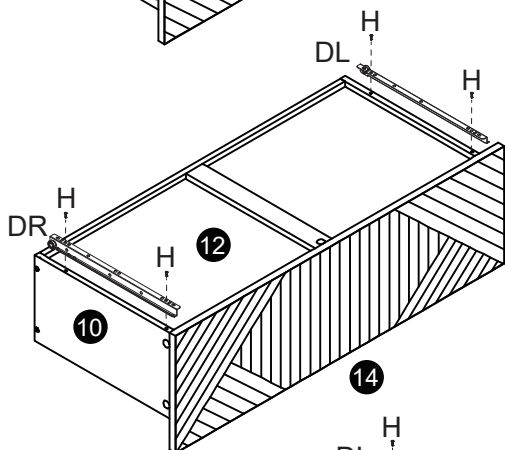


ASSEMBLY INSTRUCTIONS

Step 13

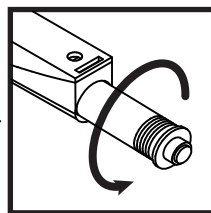
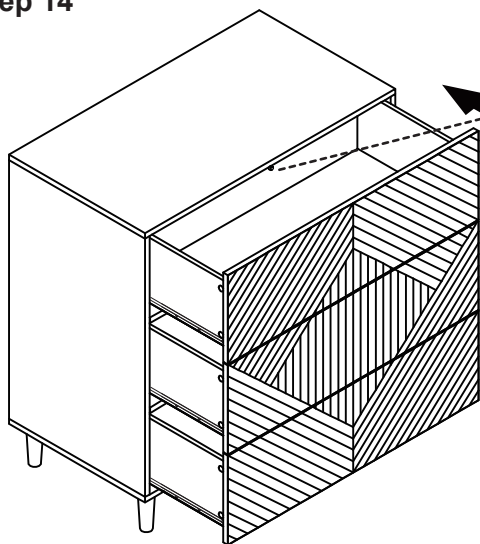


H		12	
DR		3	
DL		3	



ASSEMBLY INSTRUCTIONS

Step 14



step1

Rotate counter-clockwise the switch

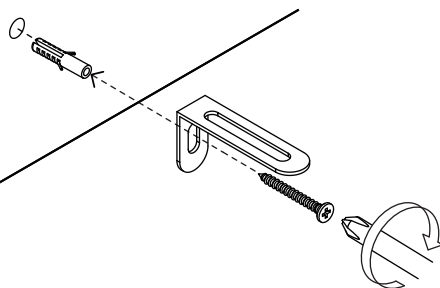
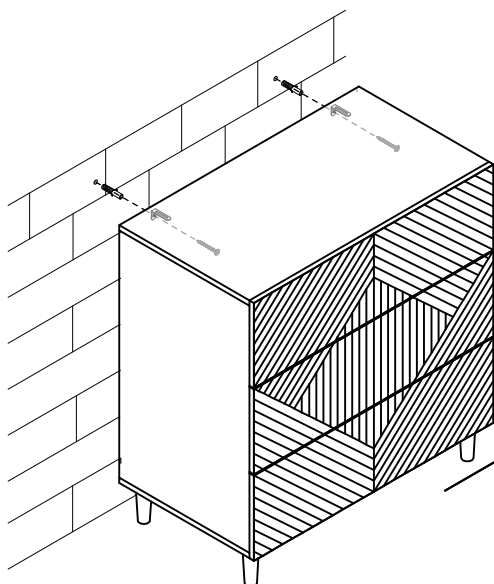
step2

Adjust the switch to make sure the draw can be opening / closing successfully

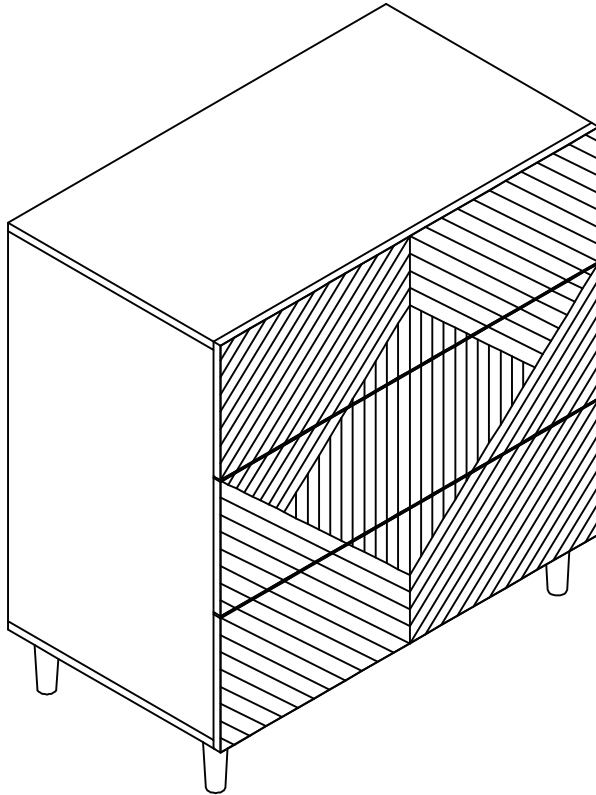
Step 15

Warning !

Wall plug is not provided. If you are any doubt about the correct wall plugs for your wall, seek the professional advice.



ASSEMBLY INSTRUCTIONS



Congratulations! Now you have finished assembling the product. There may be some dust or hand marks on your item.

A Guide to - Wall Mounting & Fixings

Important note:

If plastic wall plugs are supplied with your product:



- these are only suitable for use in masonry walls.

If you are in any doubt about the correct wall plugs for your wall, seek professional advice.

Failure of the product due to using incorrect fixings is the responsibility of the installer.



Important: When drilling into walls always check that there are no hidden wires or pipes etc.

Make sure that the screws and wall plugs being used are suitable for supporting your unit. Consult a qualified person if you are unsure.

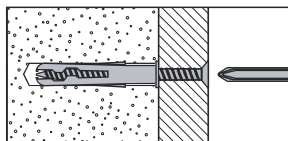
Hints:

- 1: **General rule:** ⚠ Always use a larger screw and wall plug if you are not sure.
- 2: Ensure you use the recommended drill bit to match the wall plug and hole size.
- 3: Ensure you drill the hole horizontally, do not force the drill or enlarge the hole.
- 4: Take extra care when drilling high walls, ceilings and ceramic tiles. Ensure wall plugs are inserted beyond the thickness of the ceramic tiles to avoid the tiles splitting or cracking.
- 5: Ensure wall plugs are well fitted and are a tight fit in the drilled hole.

Types of walls

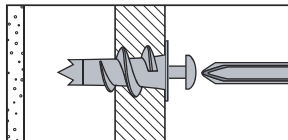
You can use one of the following types of wall plug if your walls are made of brick, breeze block, concrete, stone or wood.

No.1 "General Purpose" wall plug



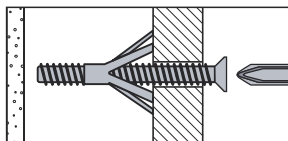
Generally aerated blocks should not be used to support heavy loads, use a specialist fitting in this case. For light loads, general purpose wall plugs can be used.

No.2 "Plasterboard" wall plug



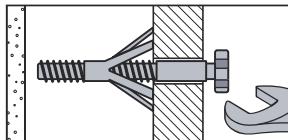
For use when attaching light loads on to plasterboard partitions.

No.3 "Cavity Fixing" wall plug



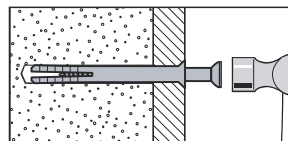
For use with plasterboard partitions or hollow wooden doors.

No.4 "Cavity Fixing-Heavy Duty" wall plug



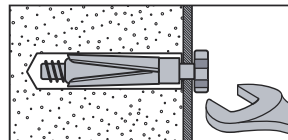
For use when fitting or supporting heavy loads such as shelving, wall cabinets and coat racks.

No.5 "Hammer Fixing" wall plug



For use with walls stuck with plasterboard. The hammer fixing allows it to be fixed to the wall rather than the plasterboard. Always check the fixing is secure to the retaining wall.

No.6 "Shield Anchor" wall plug Heavy loads



For use with heavier loads such as TV & HiFi speakers and satellite dishes etc.



Care & Maintenance

Safety: Always check the fitting and location to ensure your safety in and around the home.

Fitting: From time to time check the fitting to ensure the wall plugs or screws do not become loose.

IF YOU FIND A DEFECTIVE PART

We fully stock all parts and components. Any defective part can be quickly replaced. Take note of the defective part number in manual and we will arrange a quick replacement.

COPYRIGHT

All material in this instruction manual is copyrighted.

Any unauthorised use may violate worldwide copyright, trademark and other laws.

Thank you for purchasing!

Version 1