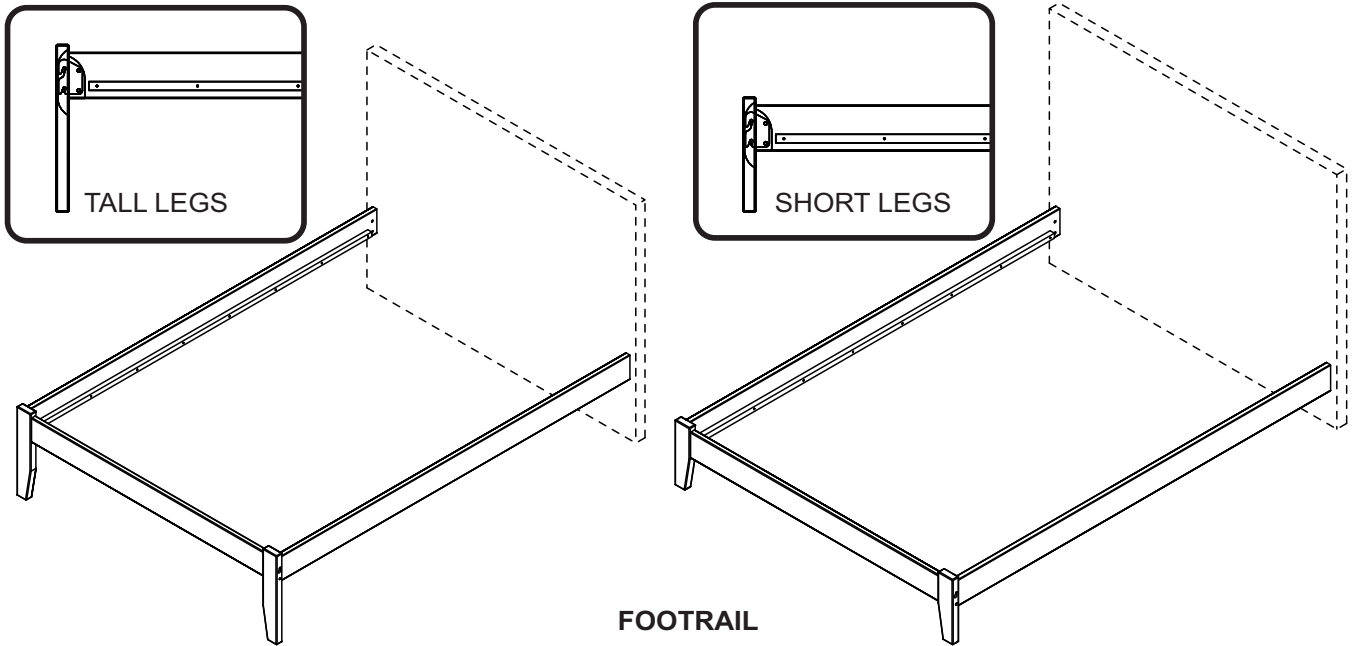


WOOD BED FRAME

Your bed can be assembled using an open footrail or panel footboard. The open footrail has a choice of tall or short legs.



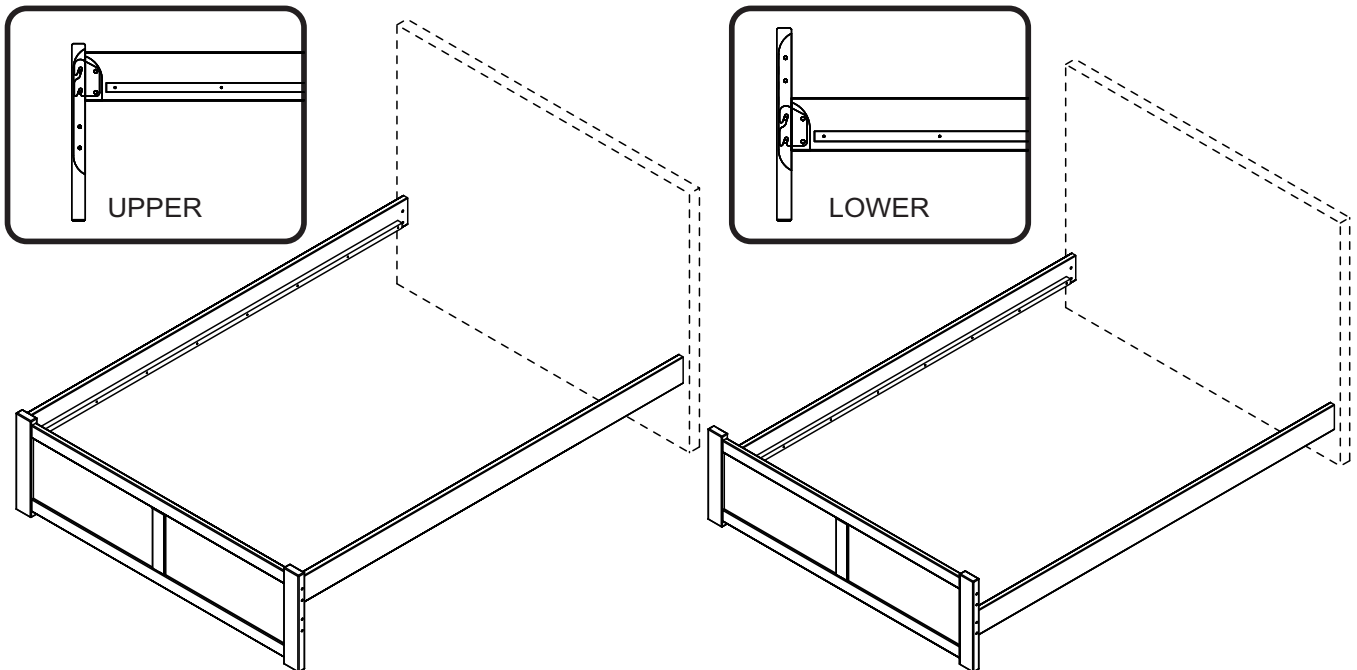
FOOTRAIL

Storage drawers, Trundle bed or mattress only use TALL LEGS.

Foundation and mattress use SHORT LEGS.



The side rails can be attached to either the upper set of pins or lower set of pins.



PANEL FOOTBOARD

Storage drawers, Trundle bed or mattress only use UPPER PINS. Foundation and mattress use LOWER PINS.

Lastly, lay Slat Kit or Foundation Support Boards onto the bed.
For assembly, please follow the instructions included.