

# *ASSEMBLY INSTRUCTIONS*



# ASSEMBLY INSTRUCTIONS

## ASSEMBLY TIPS:

1. Remove hardware from box and sort by size.
2. Please check to see that all hardware and parts are present prior to start of assembly.
3. Please follow attached instructions in the same sequence as numbered to assure fast & easy assembly.



### WARNING!

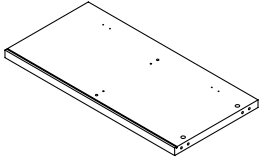
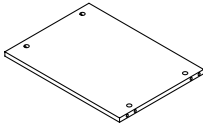
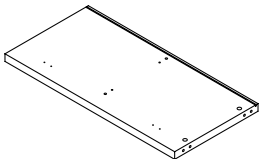
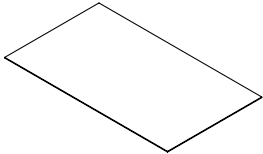
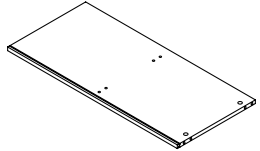
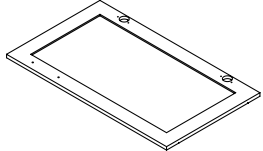
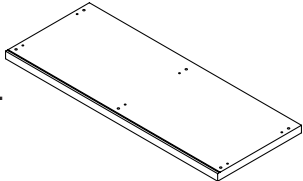
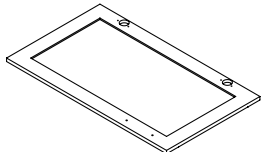
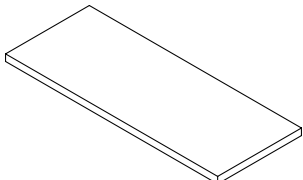
1. Don't attempt to repair or modify parts that are broken or defective. Please contact the store immediately.
2. This product is for home use only and not intended for commercial establishments.



ASSEMBLY TIME

60 MINUTES

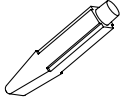
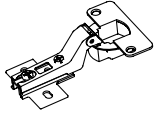
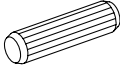

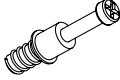
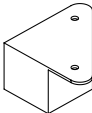


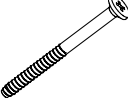
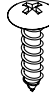
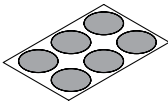
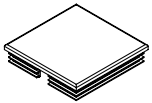
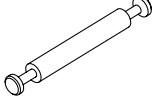
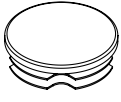


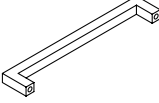


## PARTS IDENTIFICATION

A	LEFT SIDE PANEL		1 PC	F	CROSS PANEL		2 PCS
B	RIGHT SIDE PANEL		1 PC	G	BACK PANEL		2 PCS
C	MIDDLE DIVIDER PANEL		1 PC	H	LEFT DOOR		1 PC
D	BOTTOM PANEL		1 PC	I	RIGHT DOOR		1 PC
E	TOP PANEL		1 PC				

### NOTE:

Phillips head screw driver is required in the assembly process; however, manufacturer does not provide this item.

# HARDWARE IDENTIFICATION

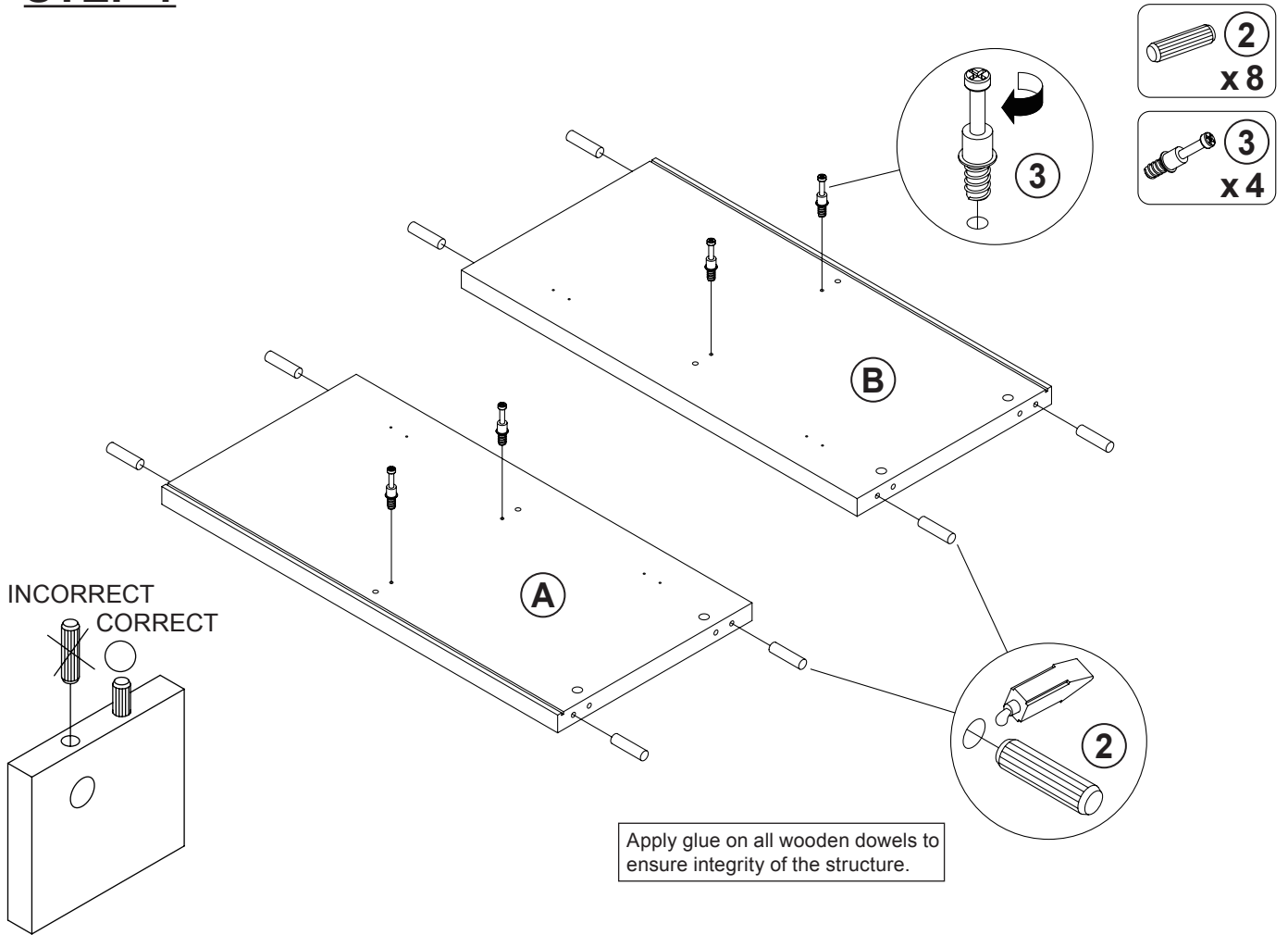
Z							
NO	DESCRIPTION	FIGURE	Q'TY	NO	DESCRIPTION	FIGURE	Q'TY
1	GLUE 15g		1 PC	11	HINGE Ø35mm SR		4 PCS
2	WOODEN DOWEL Ø8x30mm		16 PCS	12	HINGE SCREW Ø4x15mm SR		16 PCS
3	CAM BOLT Ø7x35.5mm SR		10 PCS	13	LEG 47mm BLK		4 PCS
4	CAM LOCK Ø15x12mm SR		14 PCS	14	SUPORT LEG Ø45mm BLK		1 PC
5	BOLT Ø9.5x55mm SR		6 PCS	15	SCREW Ø4x19mm BLK		8 PCS
6	STICKER Ø20mm		3 PCS	16	SQUARE FLOOR PROTECTOR 50x50mm		4 PCS
7	CAM BOLT Ø7x63mm SR		2 PCS	17	ROUND FLOOR PROTECTOR Ø50mm		1 PC
8	WOODEN DOWEL Ø8x50mm		2 PCS	18	BACK PANEL SUPPORT		6 PCS
9	HANDLE L=137.5mm		2 PCS	19	BACK PANEL SUPPORT SCREW Ø3x19mm SR		6 PCS
10	HANDLE BOLT Ø4x28mm BLK		4 PCS				

Z9,Z11,Z13,Z14 not included in blister packaging.

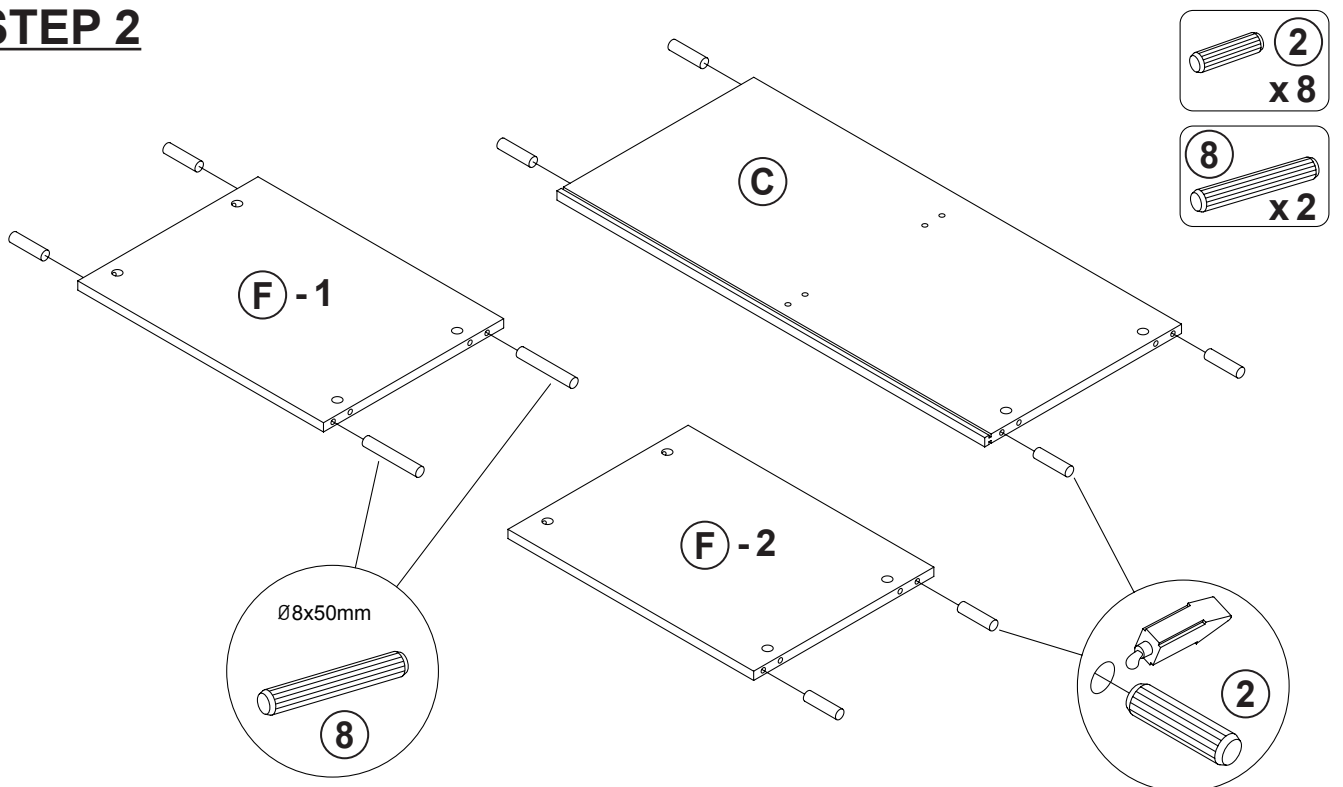
**NOTE:**

Phillips head screw driver is required in the assembly process; however, manufacturer does not provide this item.

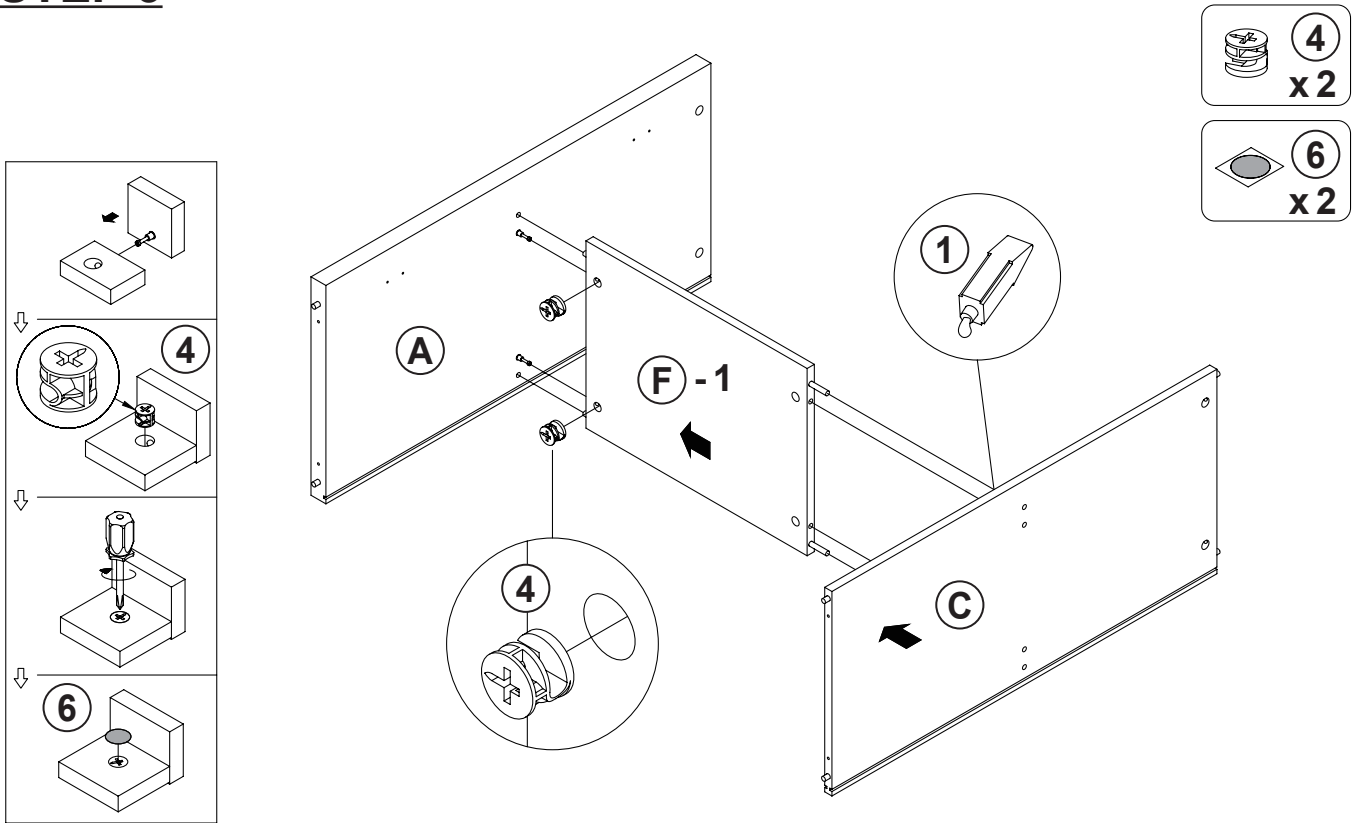
# STEP 1



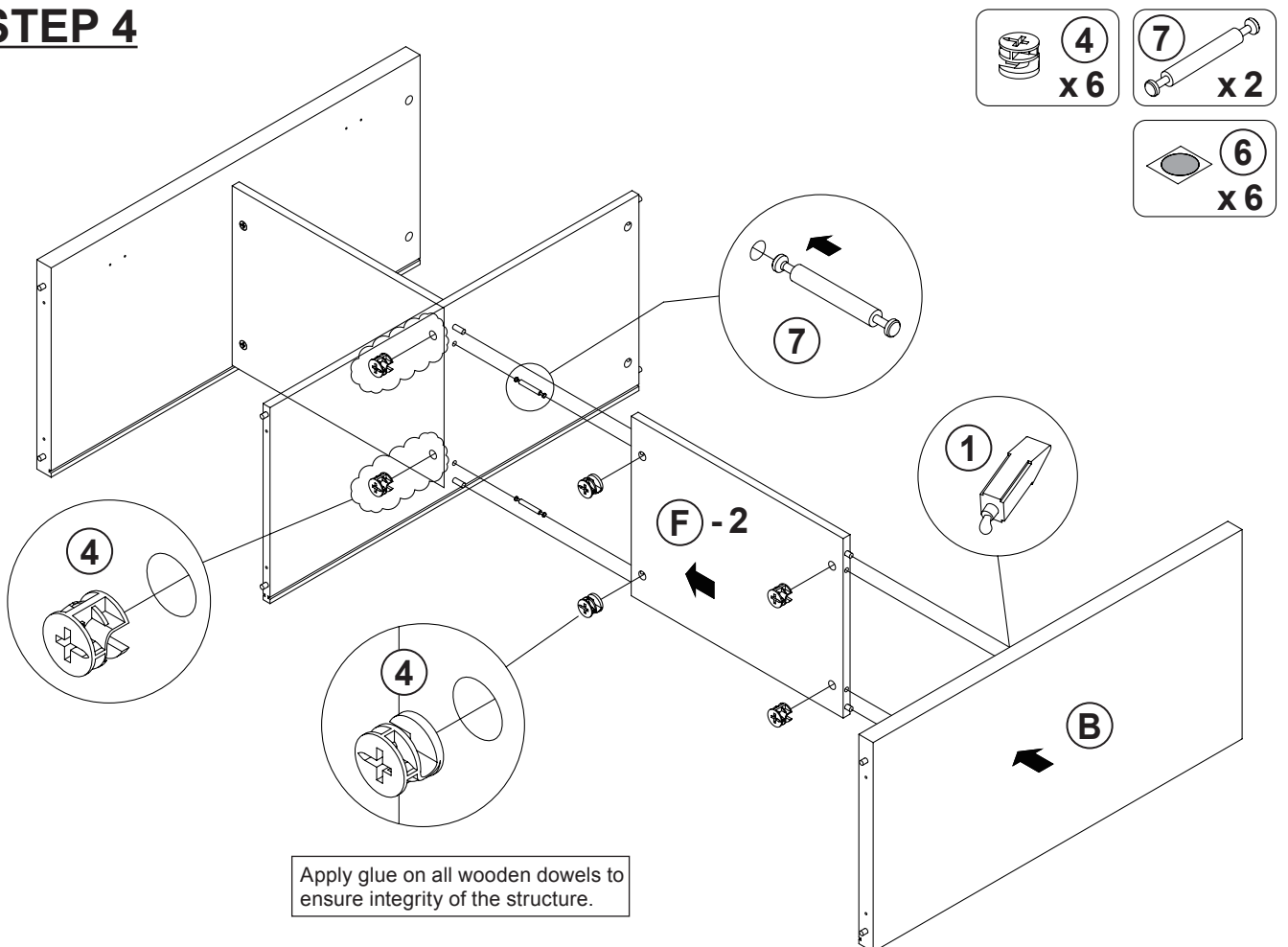
# STEP 2



## STEP 3

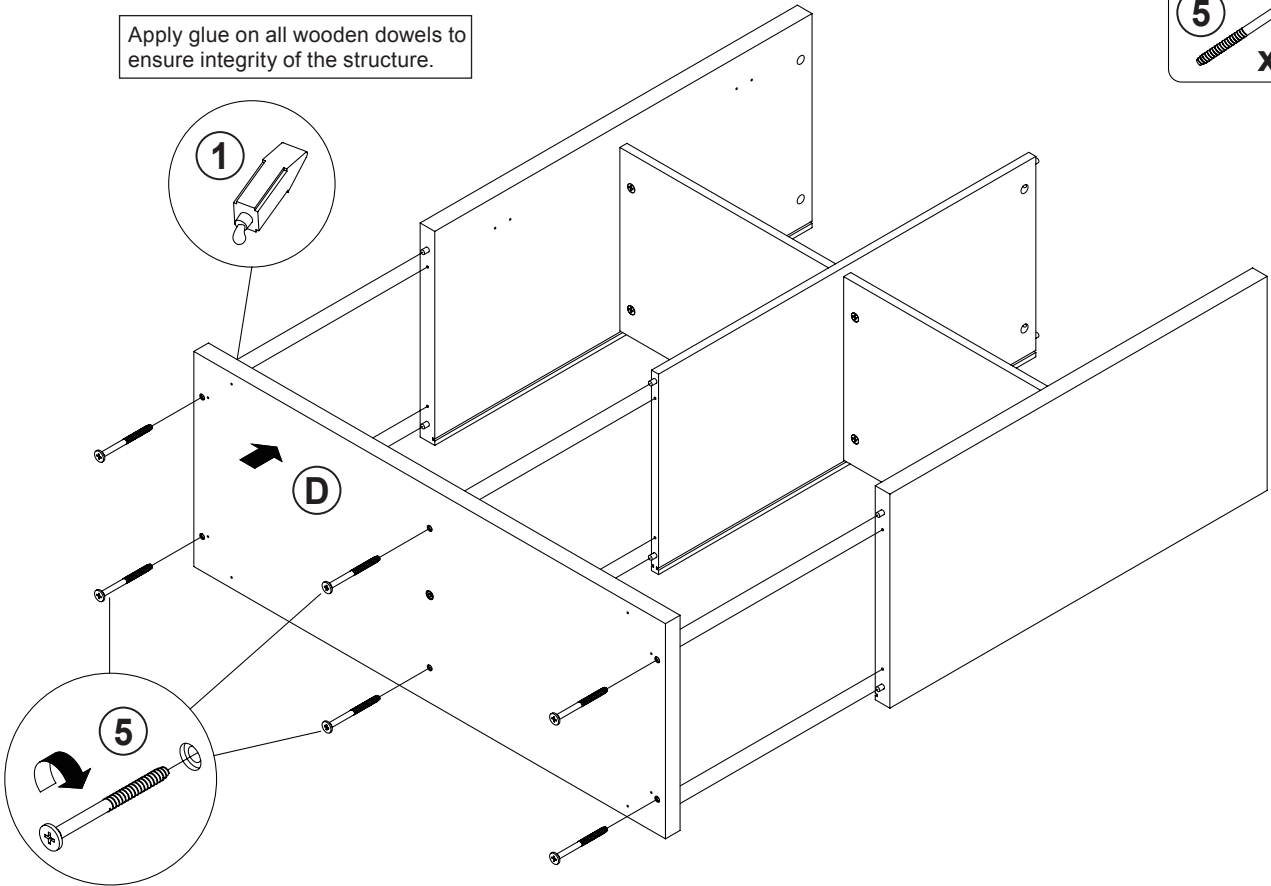
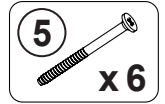


## STEP 4

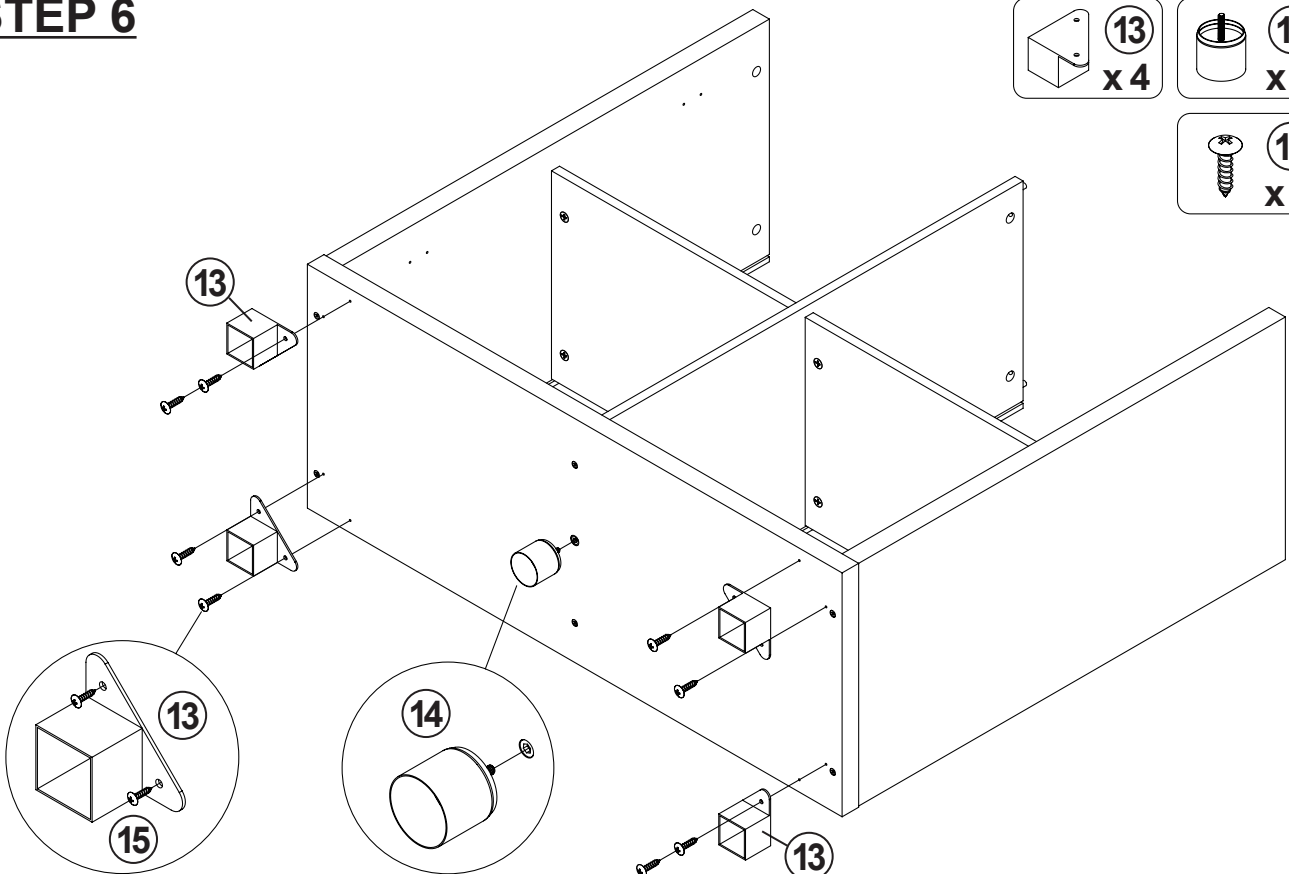
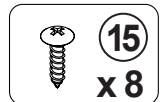
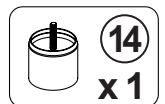


# STEP 5

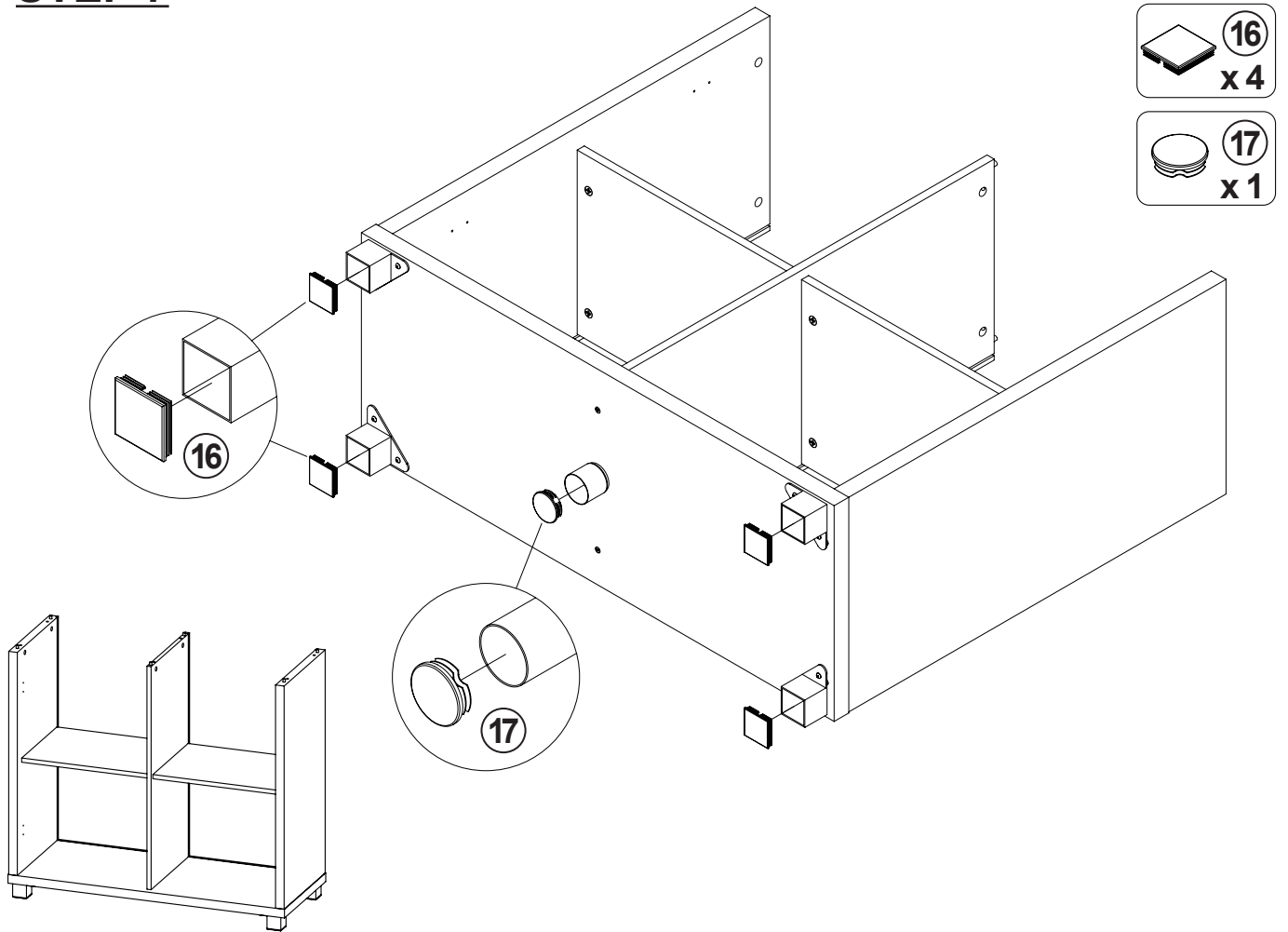
Apply glue on all wooden dowels to ensure integrity of the structure.



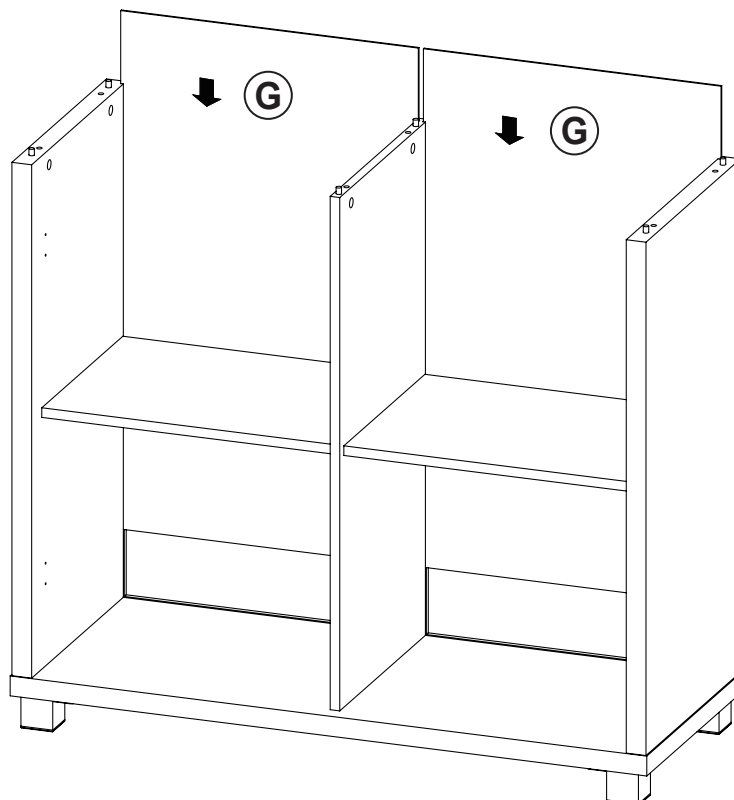
# STEP 6



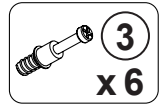
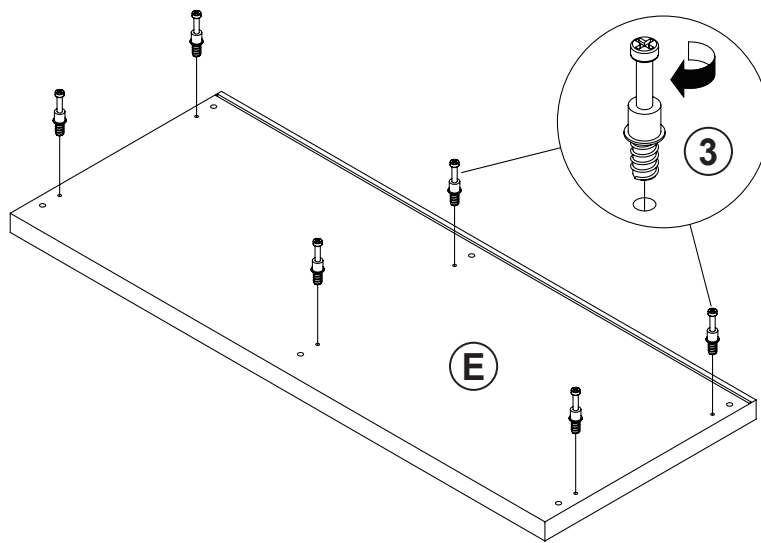
## STEP 7



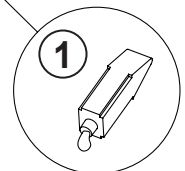
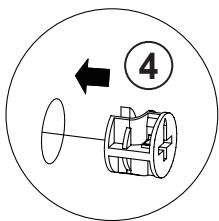
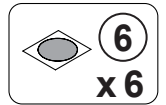
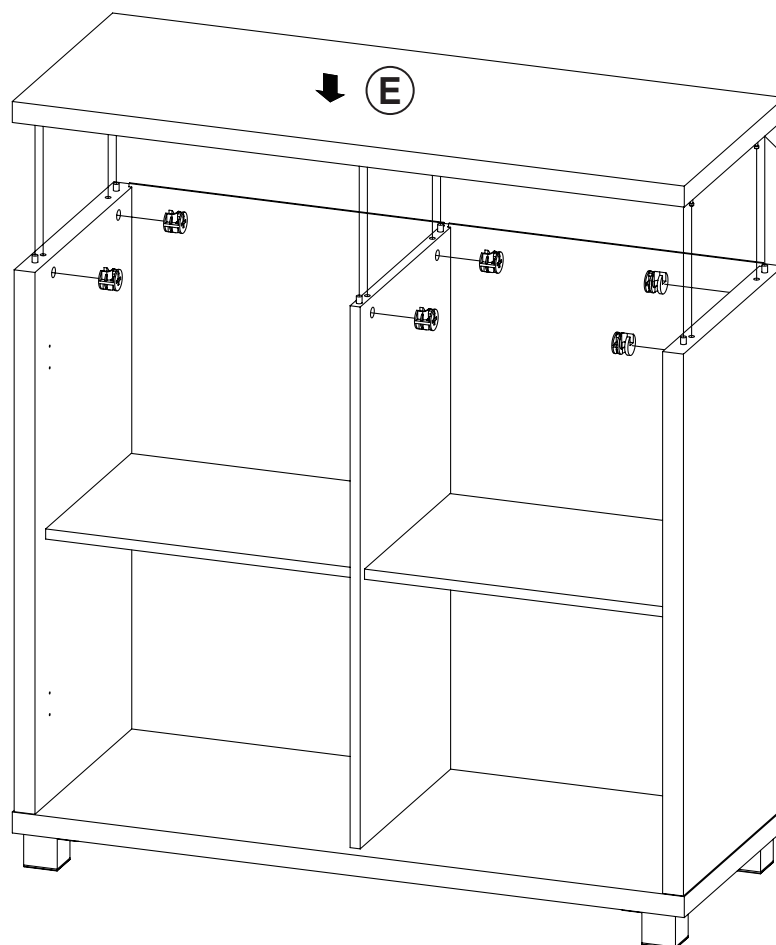
## STEP 8



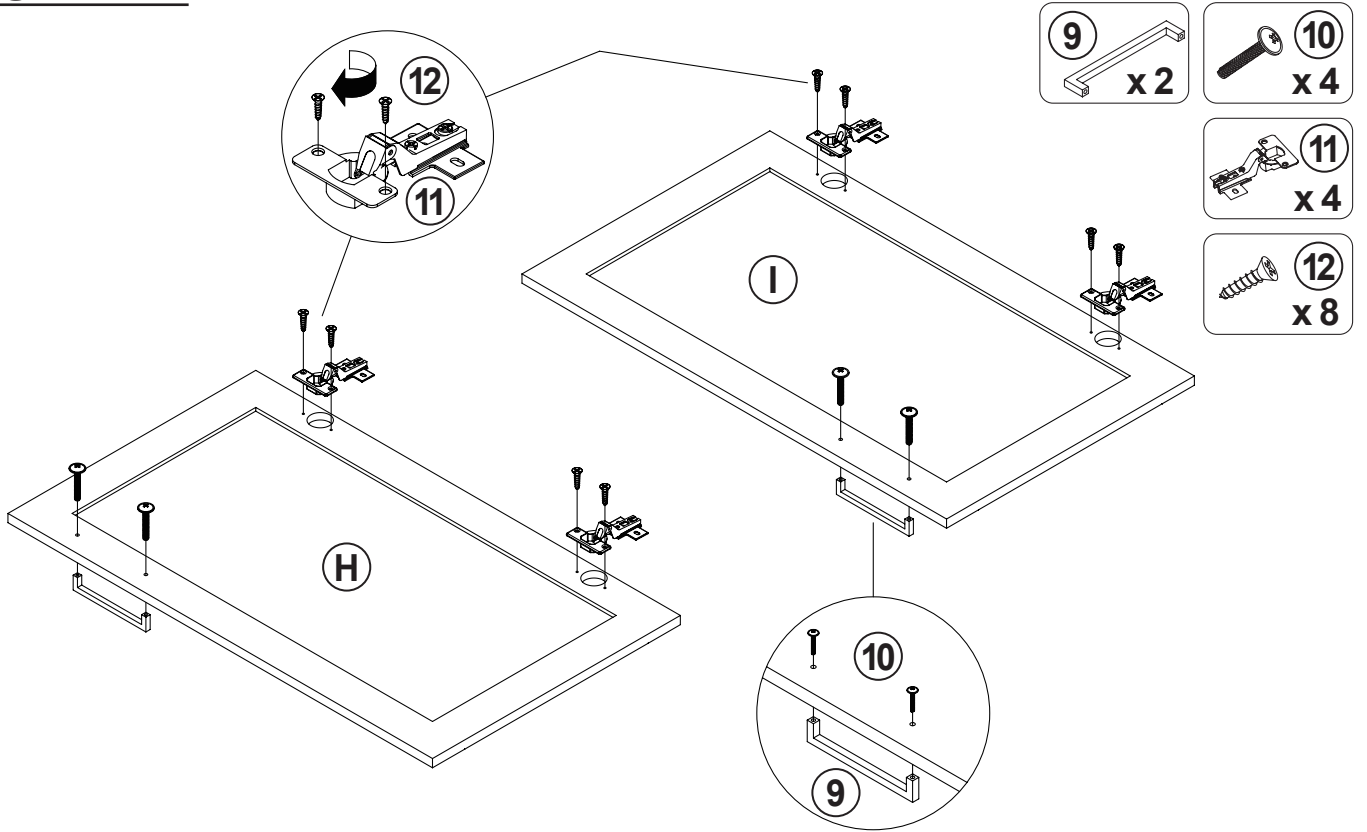
## STEP 9



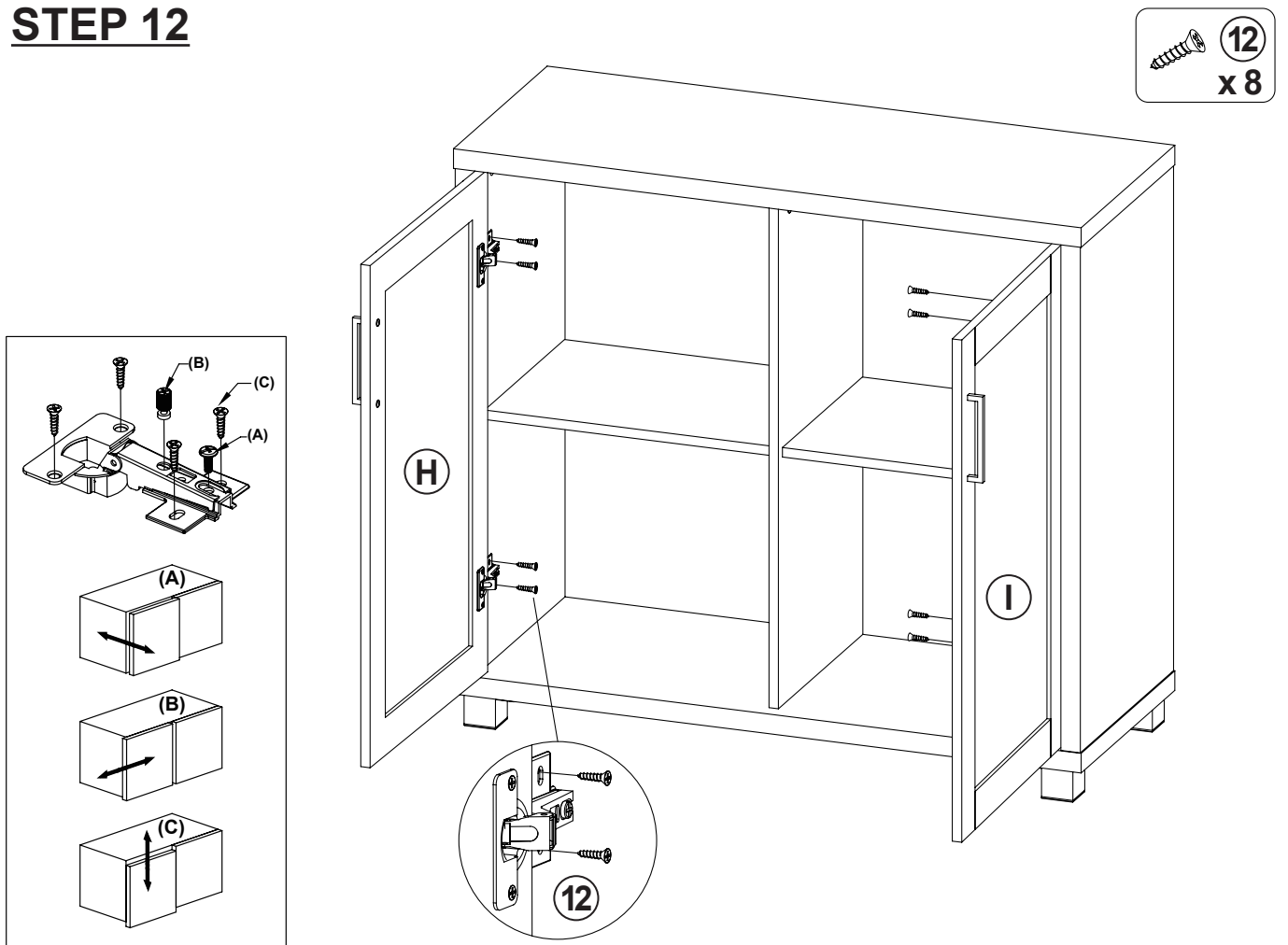
## STEP 10



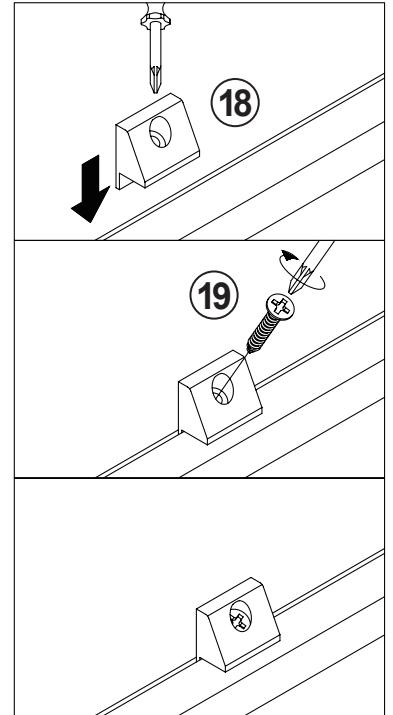
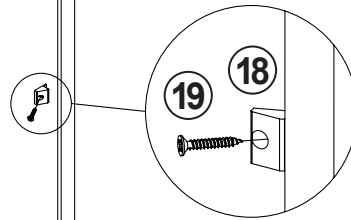
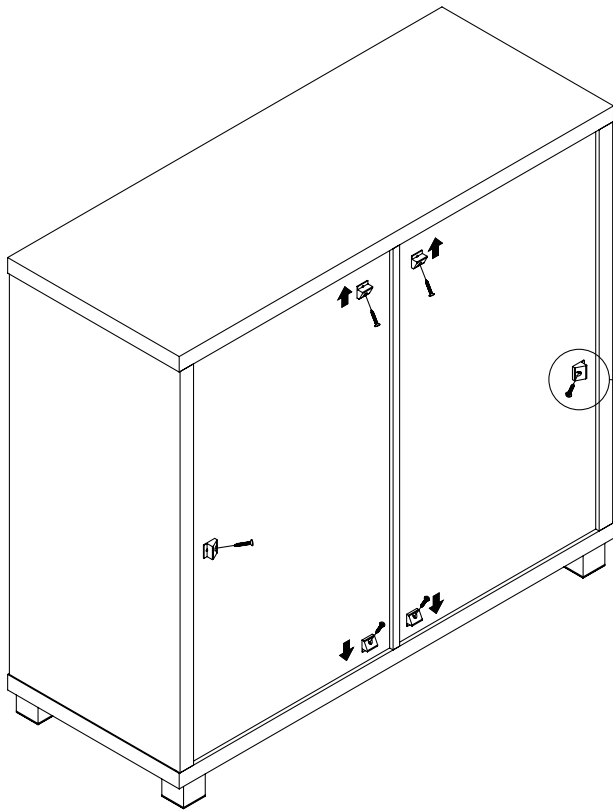
# STEP 11



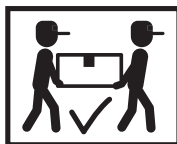
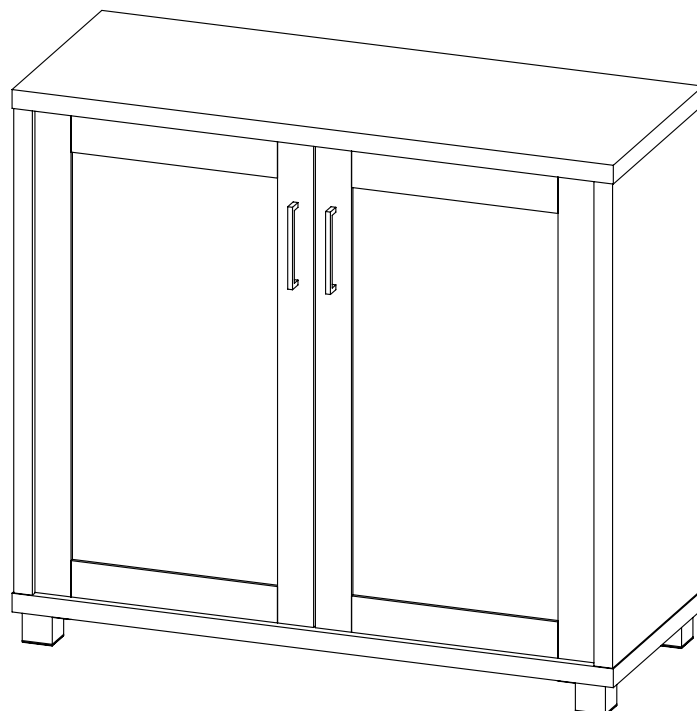
# STEP 12

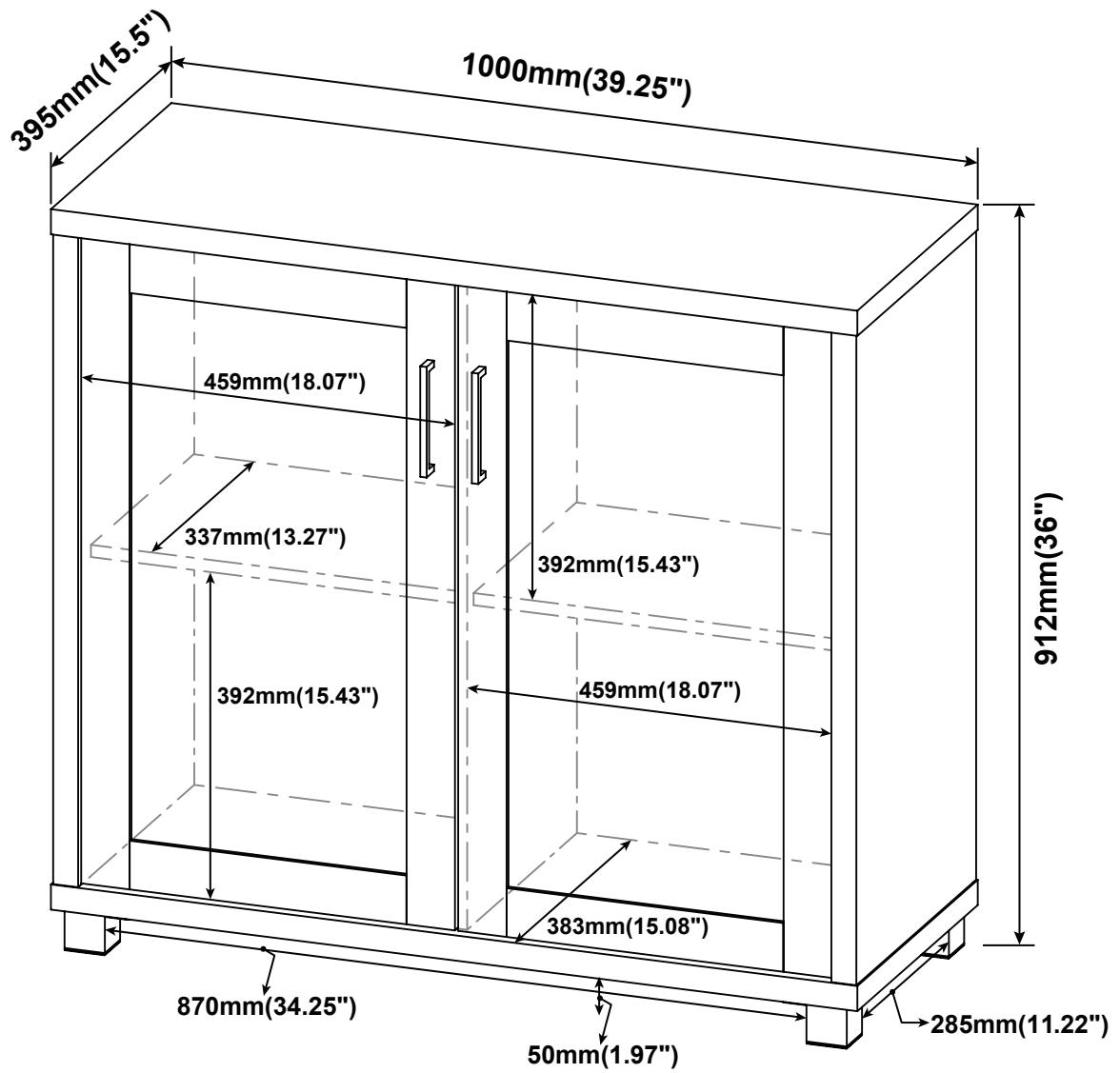


## STEP 13



## STEP 14 COMPLETE





Note : Dimension tolerance  $\pm 5\%$

# ANTI-TIPPING INSTALLMENT INSTRUCTIONS

## FURNITURE TIPPING RESTRAINT

### WARNING

Injury may result from tipping furniture.  
This restraint may protect against tipping furniture.  
Do not allow children to climb on furniture.  
This restraint is not a substitute for proper adult supervision.  
Failure to detach this restraint before moving the furniture  
may result in injury and damage.

1. To attach the anti-tip strap, securely mount one end to the top of the case piece with the 5/8" screw.
2. Position the case piece against the wall in the desired location.
3. Pull the anti-tip strap taut and mark the position of where you will secure the other end on the wall.
4. Drill a 1-1/4" hole in the spot you marked.
5. Tap in plastic wall plug.
6. Fasten anti-tip strap with wall screw provided.

**(Please install the anti-tipping kit in the middle of the case piece if only have one set of anti-tipping kit.)**

