

Industrial Wine Rack  
WR2-2T  
User Manual ▶  
<https://gwhfactory.com/>

### Important safety instructions:

- Young children may be injured by tipping furniture.
- Proper installation of the mounting hardware for this item is highly recommended.
- Do not stand, step, or climb on the unit.
- This product should only be used on a flat, level surface.
- Do not tighten bolts/ screws completely until all bolts/ screws are lined up and inserted into holes.
- Do not overtighten bolts/ screws to avoid stripping.
- Please use hand tools to assemble this product. Do not use power tools.
- Use the packaging carton as a working surface to prevent product damage during assembly.

TO GUARANTEE THE SAFE USE OF THIS PRODUCT, FOLLOW THE WARNINGS, GUIDELINES AND RECOMMENDATIONS IN THIS MANUAL.

### Hello DIY Lovers,

I know how excited you are to roll up your sleeves and get to work right away, but taking a few seconds to read me can save you some installation time. I swear it only takes about 20 minutes as long as you follow the instructions exactly and the gravity where you live is still working. Don't worry, follow these simple instructions and you'll come back to your lover in no time.

### All you need is ...

- A cup of coffee
- A motivational playlist
- Basic installation skills, so you can use these hand tools:



1. 1 Measuring tape  
(already gifted by us)



2. 1 Pencil  
(borrow your kid)



3. 1 Driller  
(make sure your wall can be drilled)



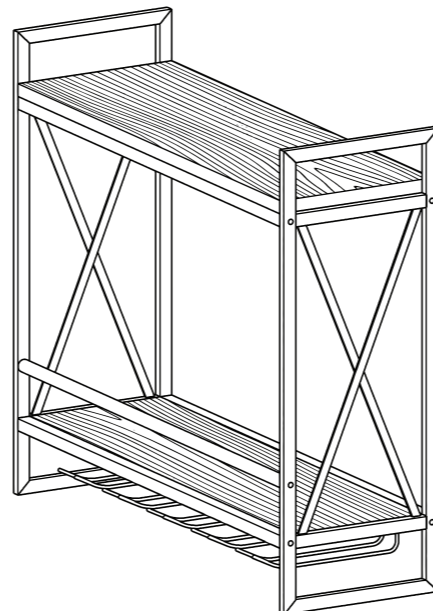
4. 1 Hex Wrench Screwdriver  
(already gifted by us)



1 Spirit Level Ruler  
(optional)

### LET'S GET STARTED!

This is what a successfully installed Industrial Wine Rack should look like.



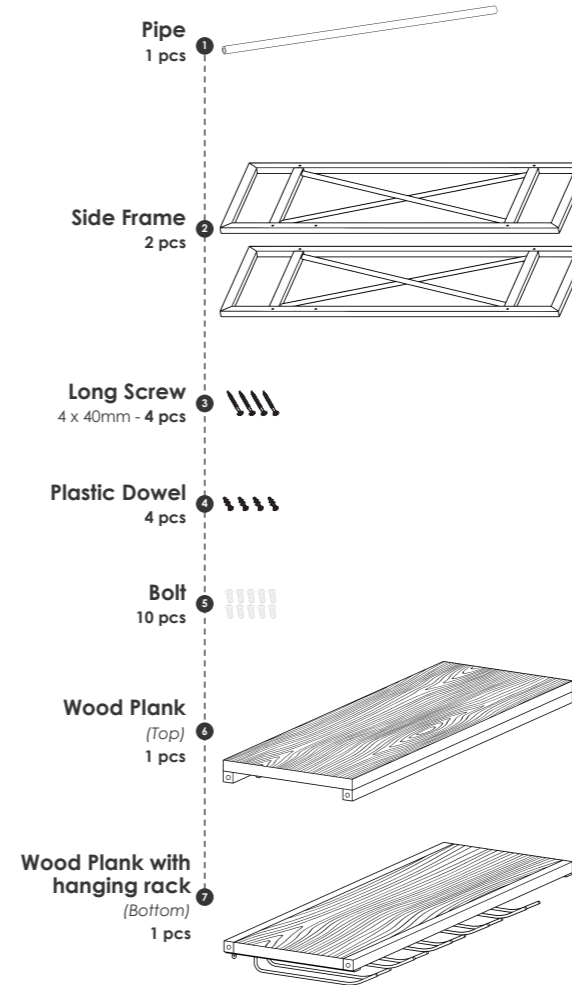
### Estimated time for assembly



The order of work to do is:

1. Assemble the Rack (5 min)
  2. Attach the Rack to the wall (10 min)
  3. Put your wine and glasses on. (5 min)
- It's easy, right?

Below are the Industrial Wine Rack parts that are already included in the kit.



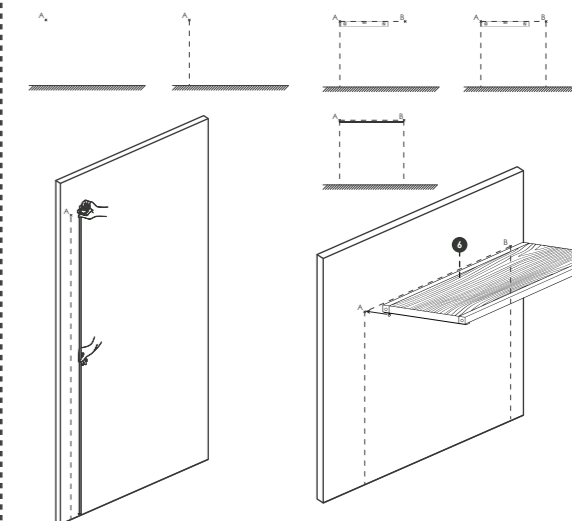
### 1. Mark your wall first

#### Step 1:

Measure the perfect height using the measuring tape.

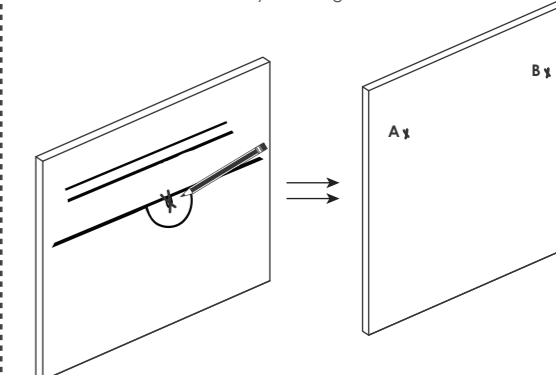
#### Step 2:

Place ② onto the height you want for easier measurement.



#### Step 3:

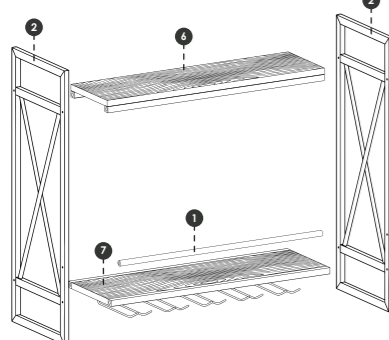
Mark two holes. This is where you'll hang it.



### 2. Assemble the rack.

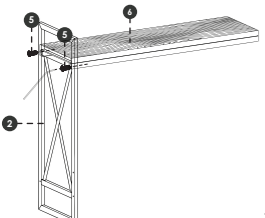
#### Step 1:

Visualize your rack, these are the parts you'll need.



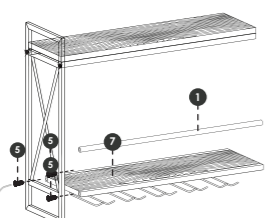
#### Step 2:

Connect a side frame ② to a wood plank ⑦ with bolts ⑤ using Hex Wrench Screwdriver.



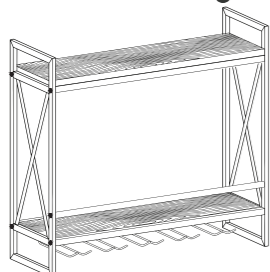
#### Step 3:

Continue to connect pipe ① and wood plank with hanging rack ⑦.



#### Step 4:

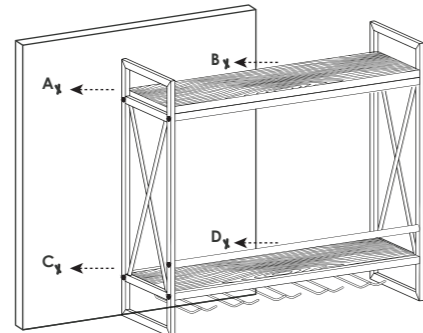
Connect the other side frame ② and voila.



### 3. Attach the rack to the wall

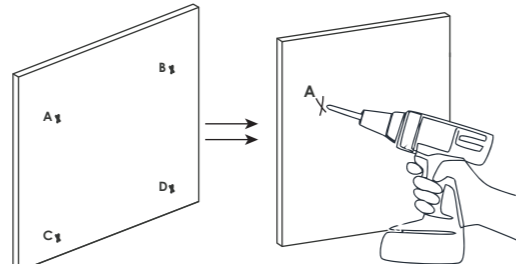
#### Step 1:

Place your rack on two point you marked earlier. And mark two more for bottom hanger.



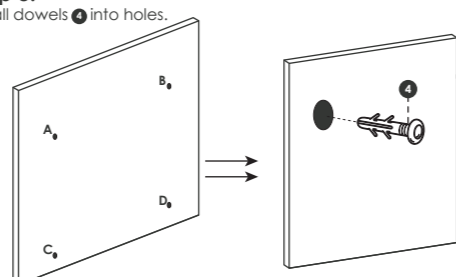
#### Step 2:

Drill holes at where you marked.



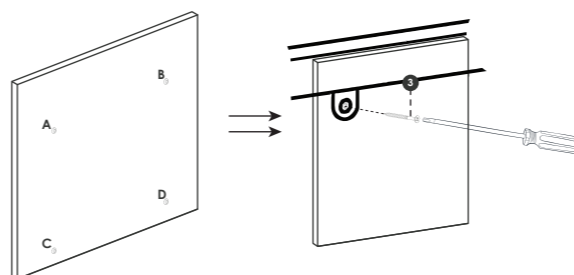
#### Step 3:

Install dowels ④ into holes.



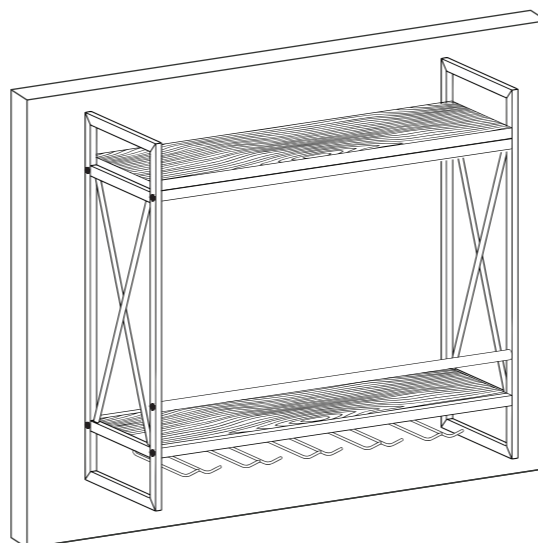
#### Step 4:

Place your rack onto the wall and attach it to a long screw ③.



#### Step 5:

This should be how it looks when you finish.



#### Step 7:

Finish - Place anything you want on the shelves.



"Ta-da!" You've done a good job!

Order a celebratory pizza, you deserve it!  
... Oh. I think your lover is waiting for you.

We really don't want you to go through the hassle of re-packaging your item and sending it back, because let's be honest...nobody has time for that. ☺☺☺

### Instructions for use and maintenance:

1. We recommend that you tighten the screws 2 weeks after assembly and for added safety check the tightness of all screws every 2 months.
2. DO NOT put hot serving liquid directly on the shelf.
3. DO NOT leave spilled liquid on the shelf
4. DO NOT leave children unattended before product is fully assembled.
5. Dust often using a clean, soft, dry, lint-free cloth.
6. Bolt all pieces immediately and wipe with a clean, damp cloth.
7. We do not recommend the use of chemical cleaners, abrasives, or furniture polish on our lacquered finish.

Use this wine rack responsibly with the primary concern for your safety. Follow assembly instructions carefully and inspect the product upon receipt and each use.

### Warranty Information

If you have any questions or issues with the product, please contact us through the Amazon store and our website. We have a return policy if the product is defective or does not meet your expectations. Please contact us to get the most suitable solution.

We hope you will have the best experiences using our Industrial Wine Rack. The instructions above are recommended for a standard shelf with stable gravity on Earth. You are sure to find something you'll love in our selection of rustic, industrial, handmade, solid wood, and space saving furniture designs along with our one-of-a-kind picture frame collections!

available at  
**amazon**



Scan me

If you're satisfied with the product, please leave a review/feedback on our store, so that the others can benefit from our excellent products.

<https://gwhfactory.com/>