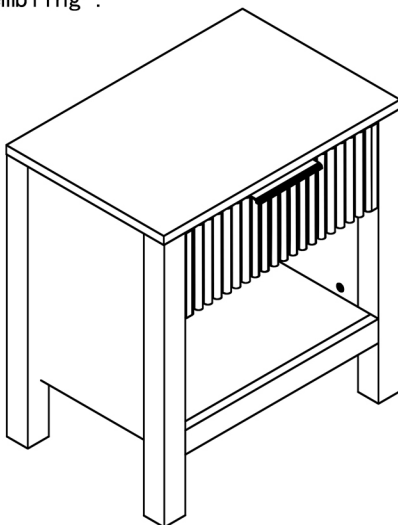
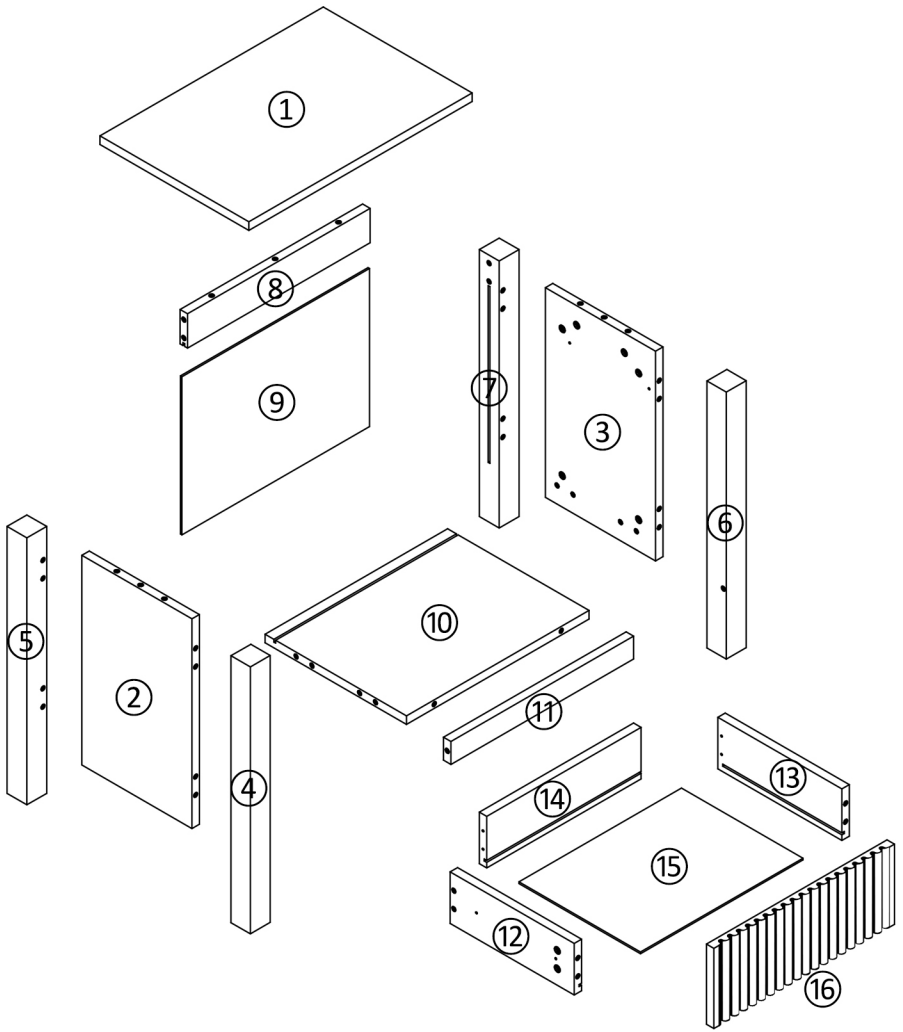
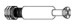



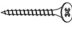

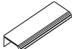







ASSEMBLY INSTRUCTION

- Read the assembly instructions carefully before beginning assembly.
- Ensure the safety of the glass during assembly.
- Do not over tighten the screws and bolts as this may damage the threads.
- Insert the screw into the hole as shown in the figure, follow the arrow in the picture, and then rotate 90° or 180° clockwise.
- Keep the small accessories in the accessory bag away from children.
- The remaining parts are spare parts.
- Kind tips: when installing the white backboard, install the white side inward.
- The operating instruction of RGB light is included in the package. Read it carefully when assembling .



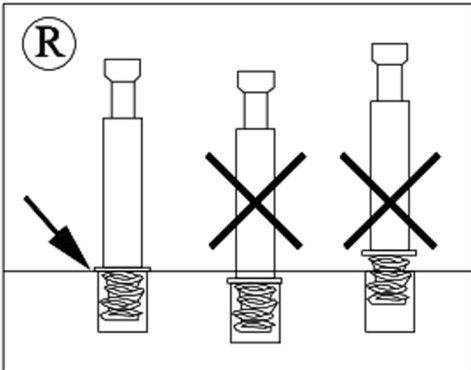
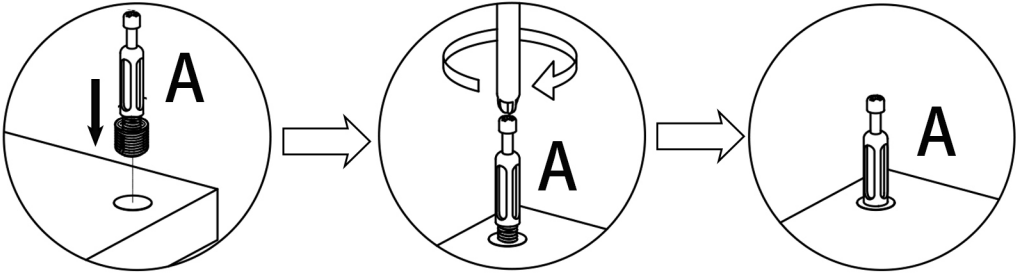


A  28pcs	B  28pcs	C  3.5*14 12pcs	C8  3.5*12 2pcs	C9  4*30 4pcs	E  8*40 17pcs	F  1pcs	K  2pcs	Y  4pcs	AG  1pcs
AM  Decorative paper 14pcs	AP  anti-slip stickers 4pcs								



Hardware installation demonstration

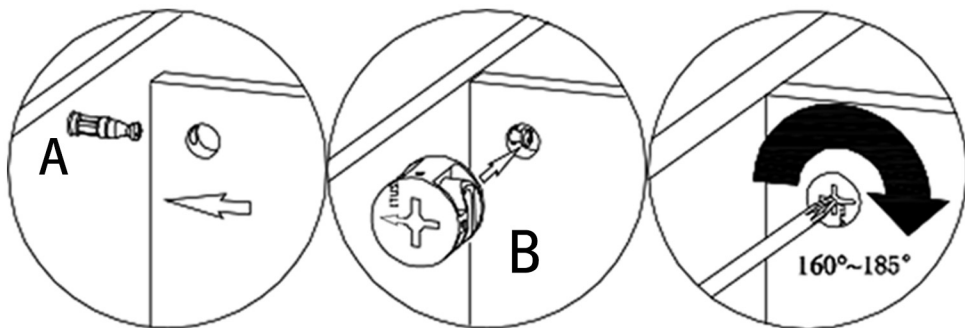
● Please make sure "A" hardware tightened and can't be pulled out





Hardware installation demonstration

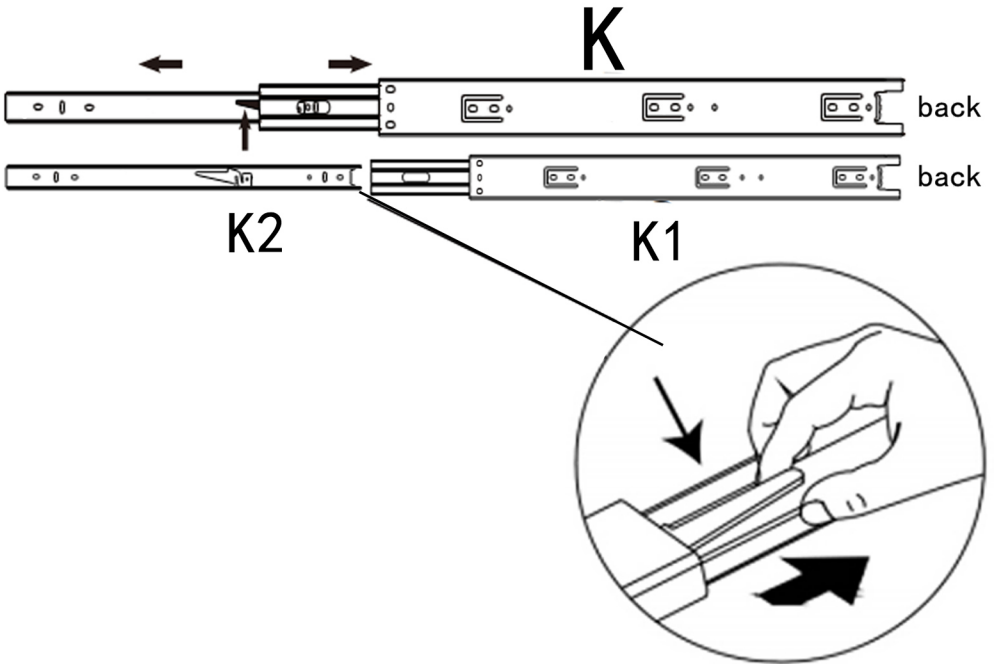
- When inserting cam ensure arrowhead on cam points toward the hole on the panel edge





Hardware installation demonstration

- Before installing the drawer rail, you need to separate the K1 and K2 first.



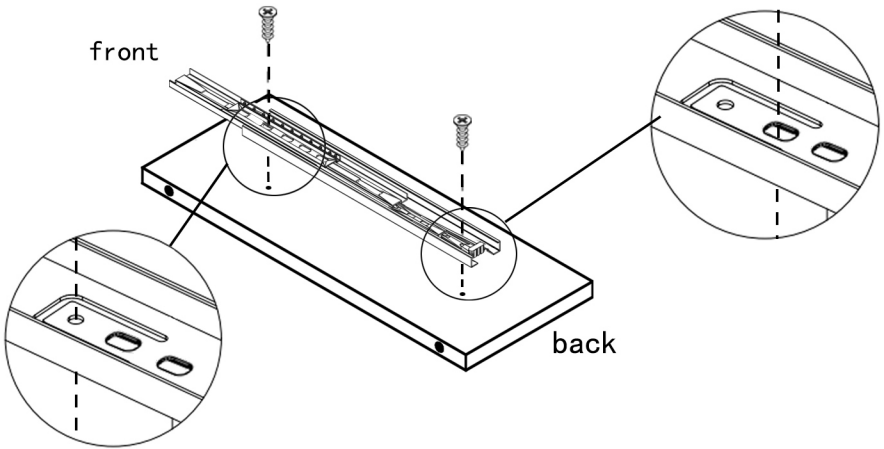
Warm Reminder: Press it and split



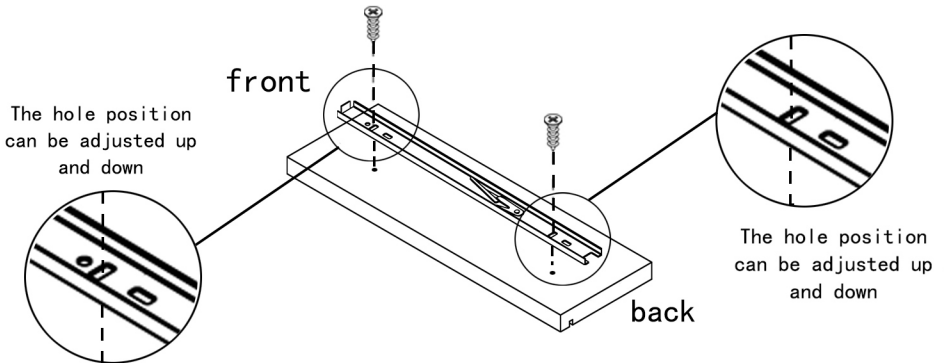
Hardware installation demonstration



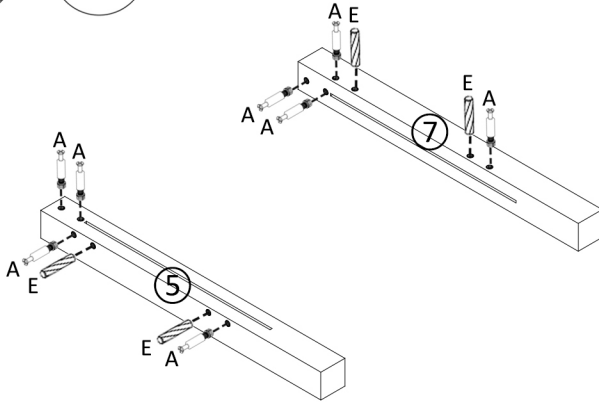
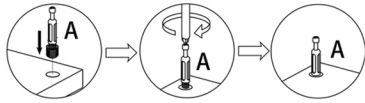
The first screw hole should corresponded with the board location hole



The first screw hole should corresponded with the board location hole



STEP 1

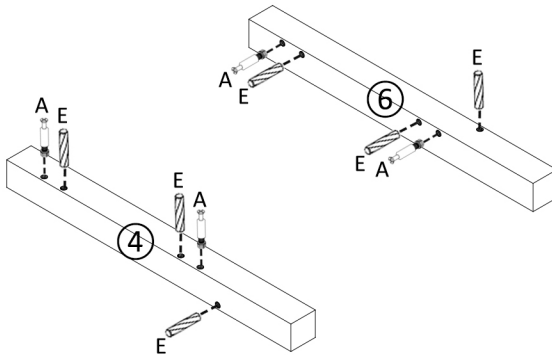
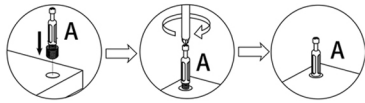


E*4



A*8

STEP 2

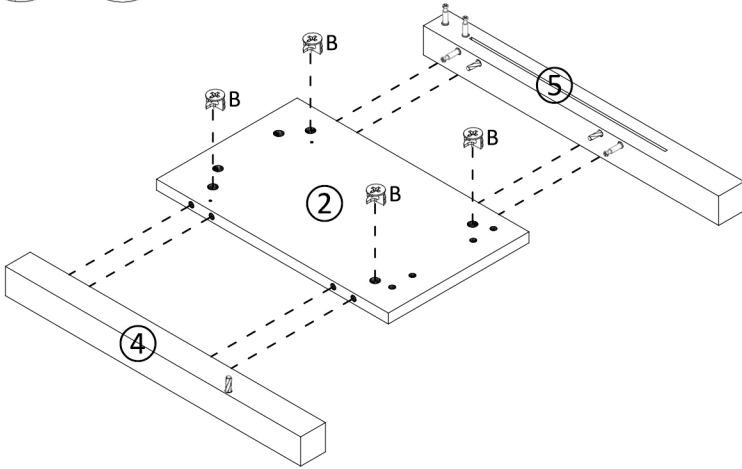
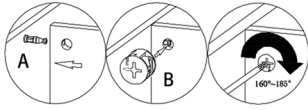



E*6



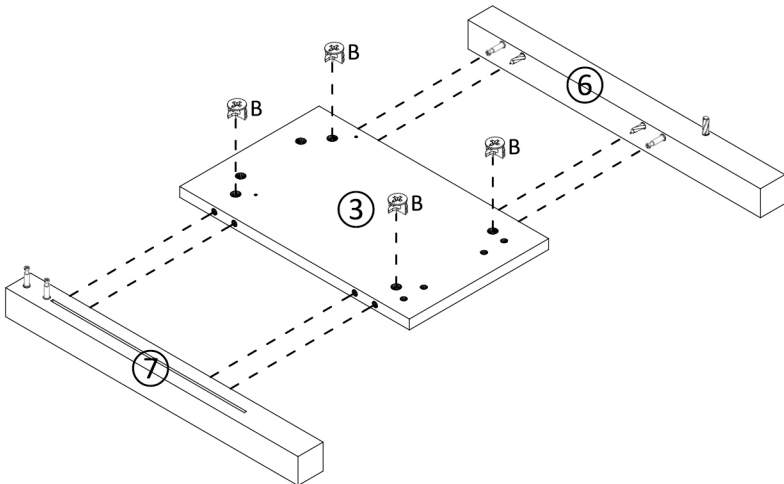
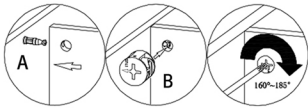
A*4

STEP 3



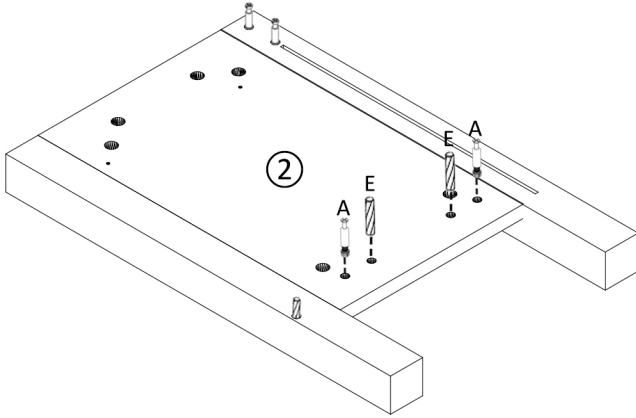
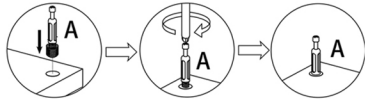
 B*4



STEP 4



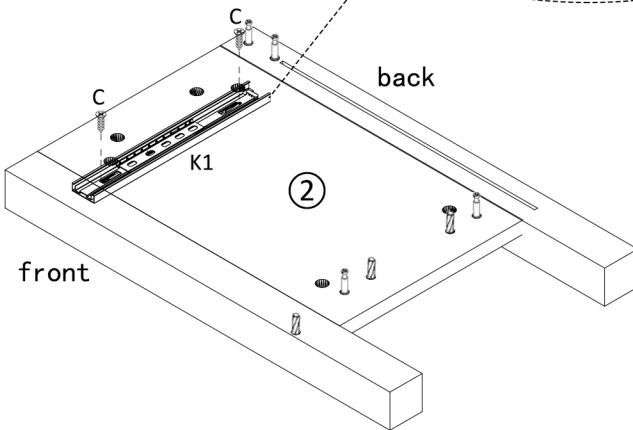
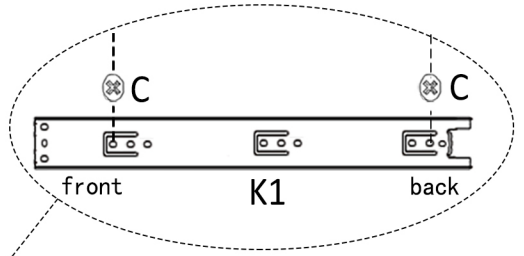
 B*4



STEP 5



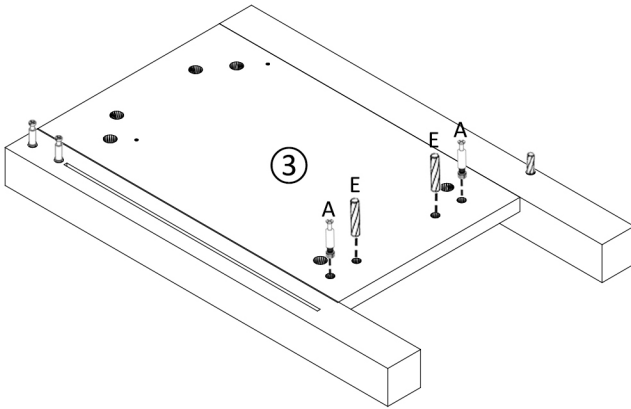
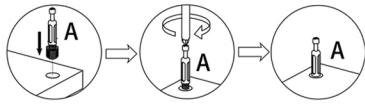
	E*2
	A*2

STEP 6



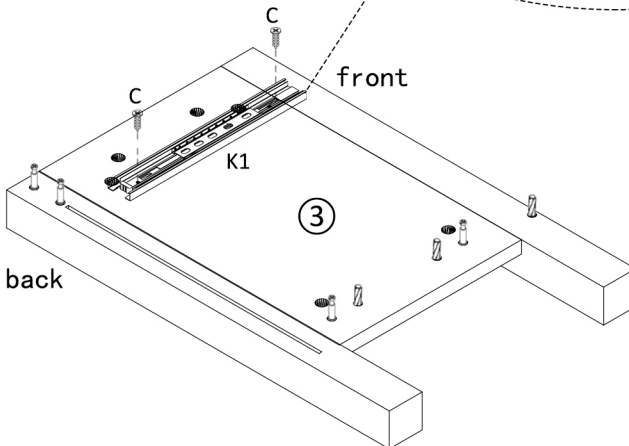
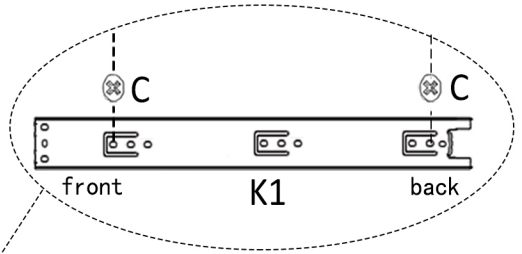
	C*2
	K1*1

STEP 7



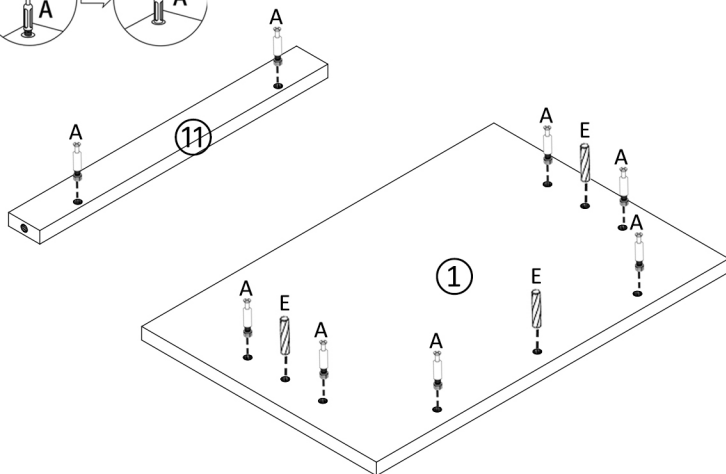
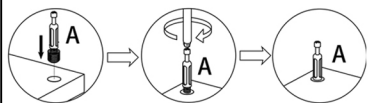
	E*2
	A*2



STEP 8



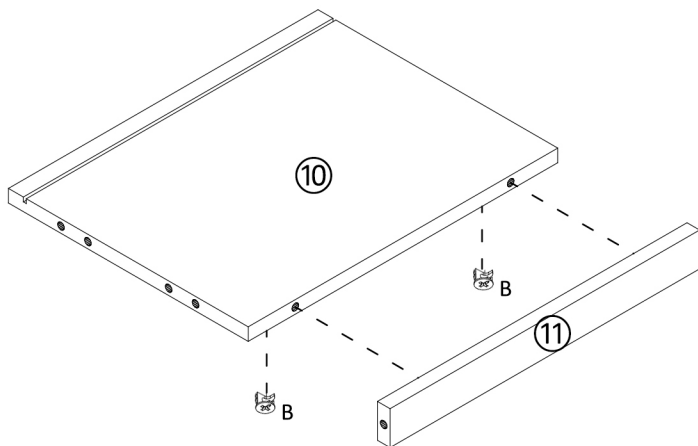
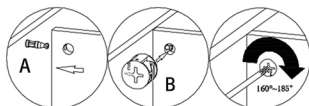
	C*2
	K1*1


STEP 9



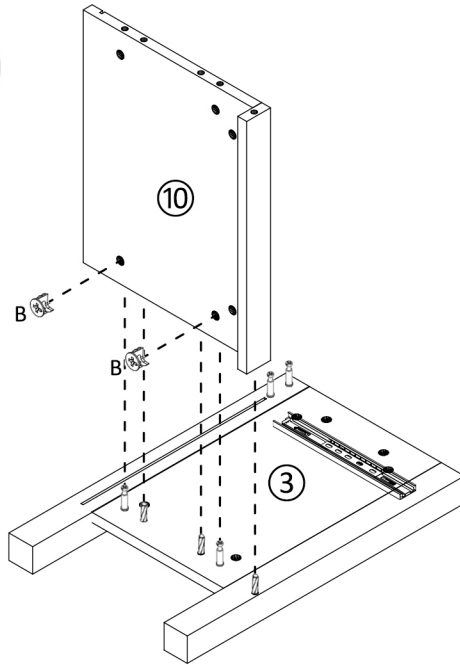
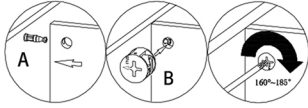
	E*3
	A*8

STEP 10



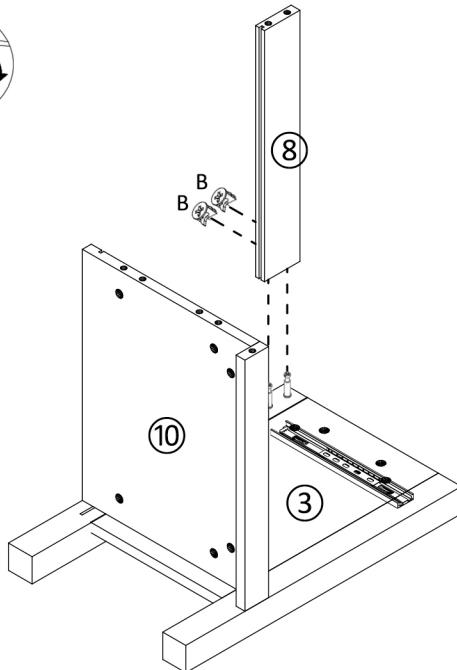
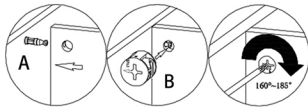
	B*2
---	-----

STEP 11



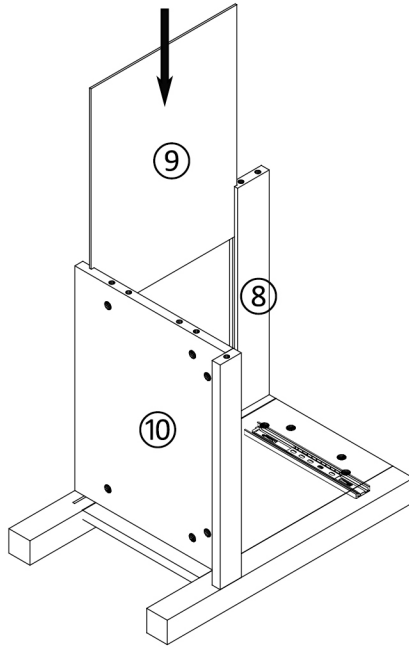
B*2

STEP 12

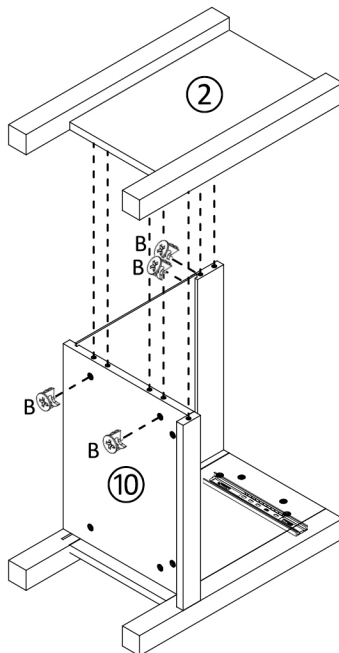
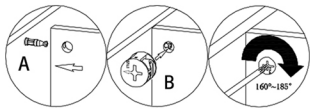


B*2

STEP 13

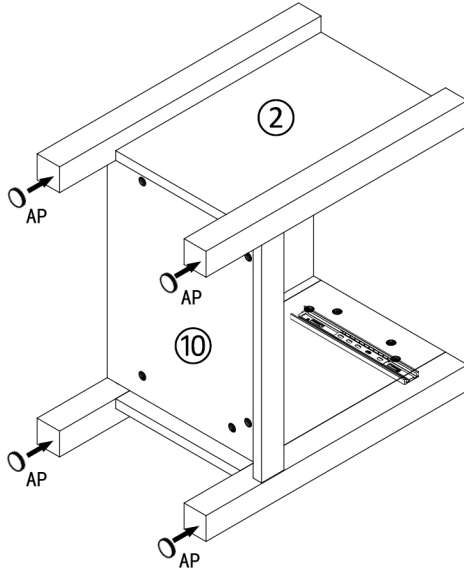
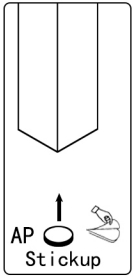


STEP 14



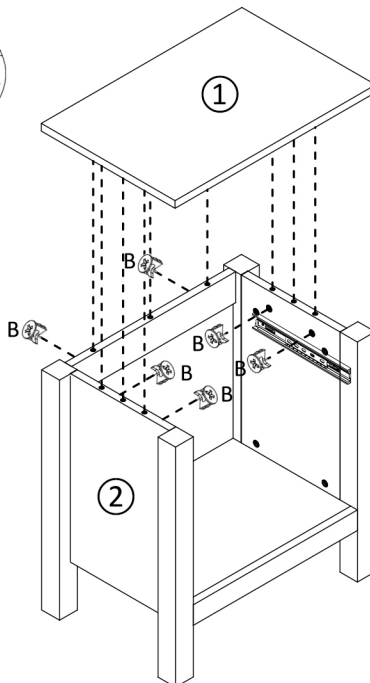
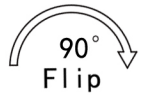
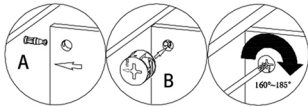
B*4

STEP 15



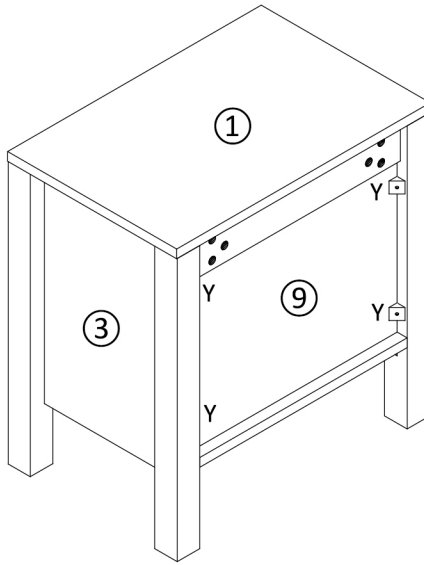
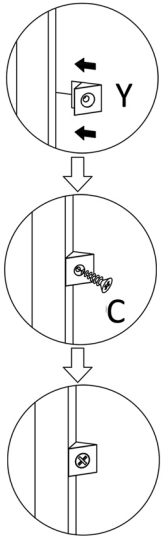
 AP*4
anti-slip stickers

STEP 16

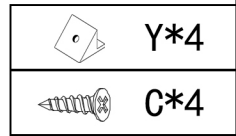


B*6

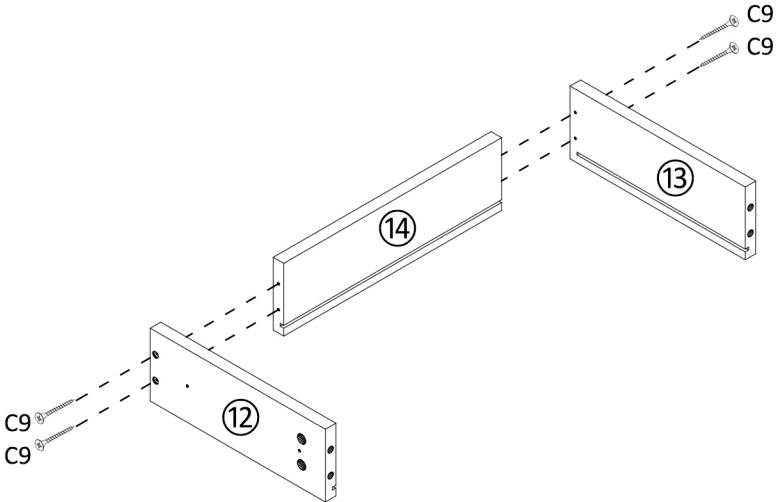
STEP 17



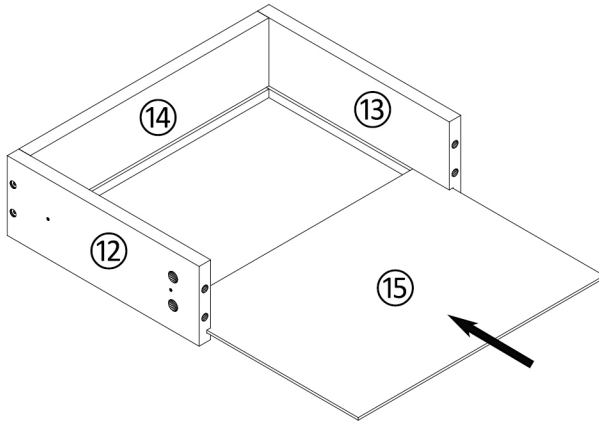
Use tools to install if necessary



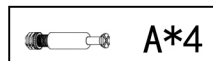
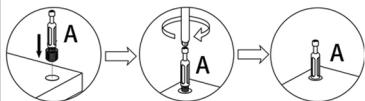
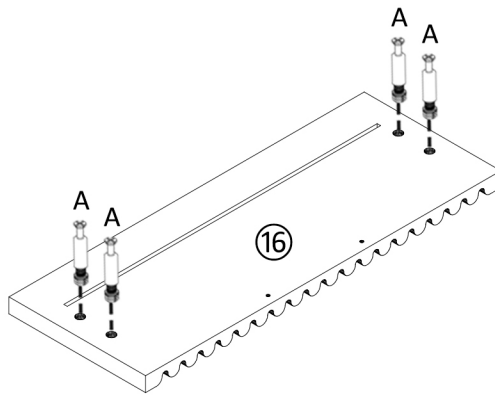
STEP 18



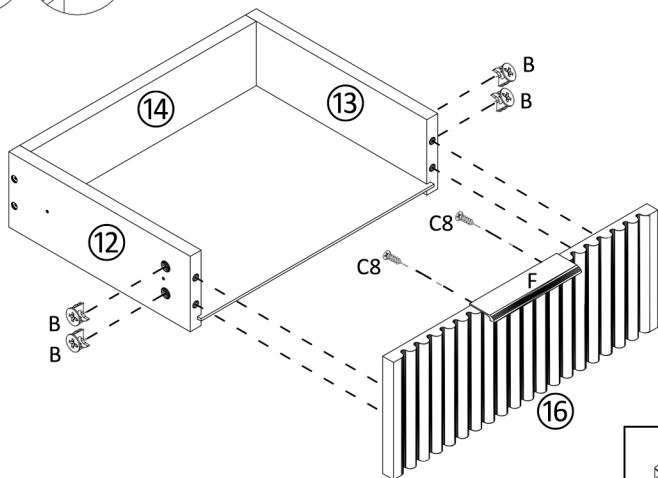
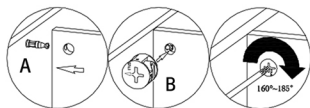
STEP 19



STEP 20



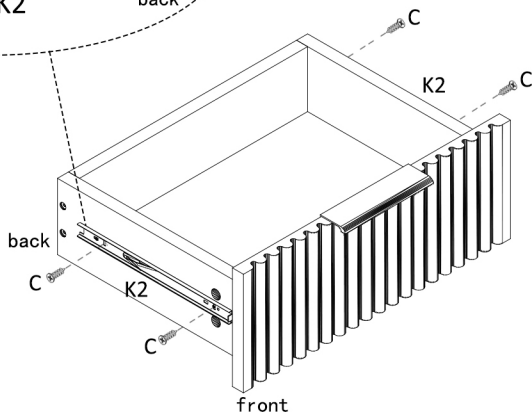
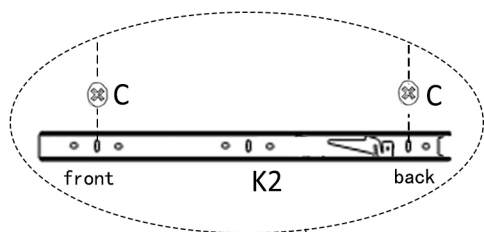
STEP 21



	F*1
 3.5*12	C8*2
	B*4

⚠ Please use screws according to the specific size, do not confuse them.

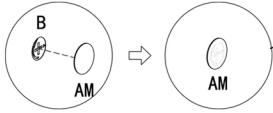
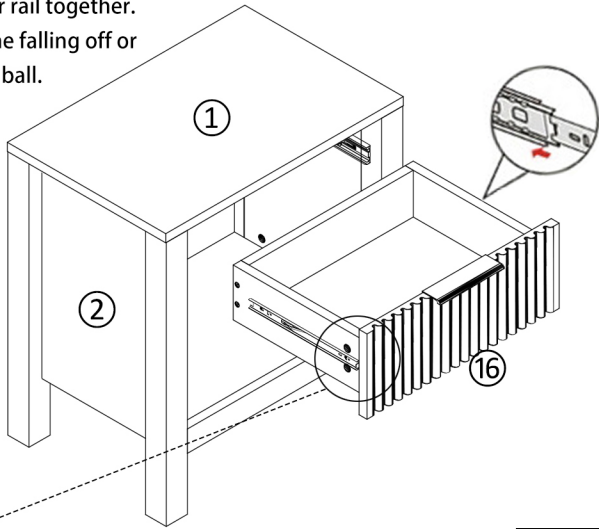
STEP 22



	C*4
	K2*2

STEP 23

Note: When assembling the inner slide rail, it is necessary to place the inner slide rail on the steel ball component first, and push the inner rail parallel to the outer rail together. Direct violence will lead to the falling off or deformation of the rail steel ball.



Decorative paper AM*14

STEP 24

