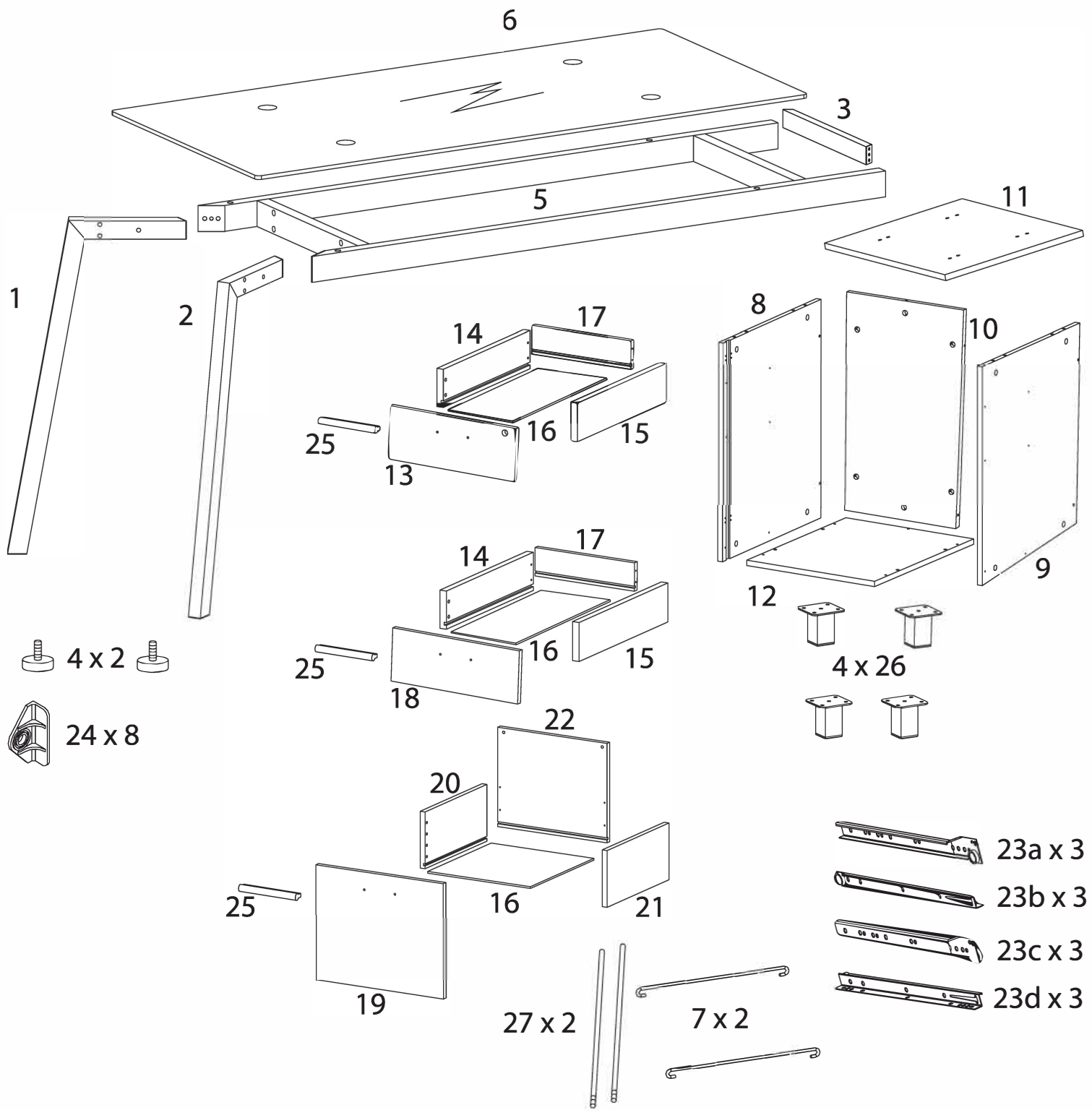


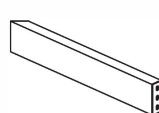
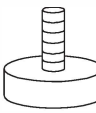



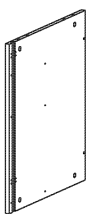
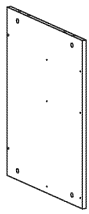

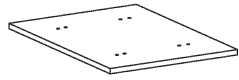
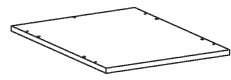
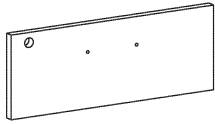
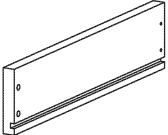
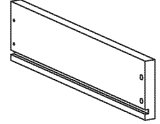
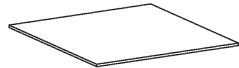

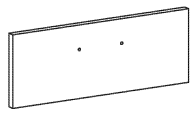
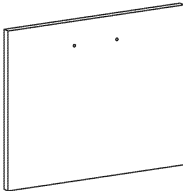
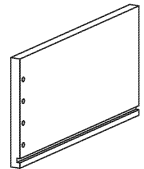
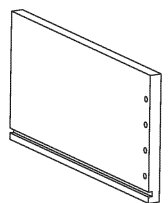
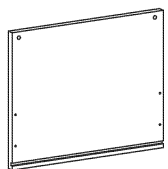
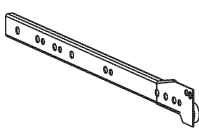
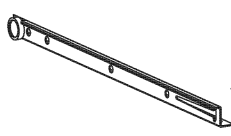
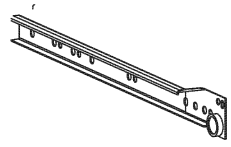
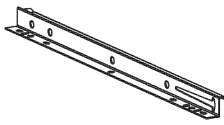
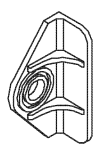

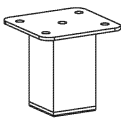



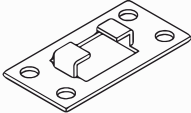

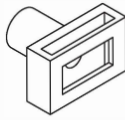
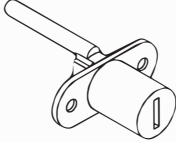
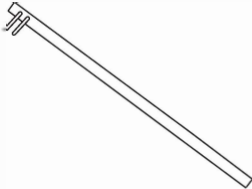
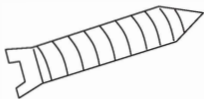








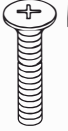
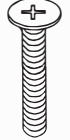
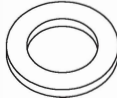
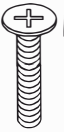


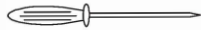
Assembly instructions and warnings:

- A warning box containing a circular icon of a screwdriver and a crossed-out power drill icon, with a warning triangle above it.
- A warning box containing a circular icon of a block on a mat and a crossed-out block on a floor icon, with a warning triangle above it.
- A clock icon with the text "30'" below it, indicating the estimated assembly time.
- An icon of two people with the number "2" below it, indicating the number of people required for assembly.

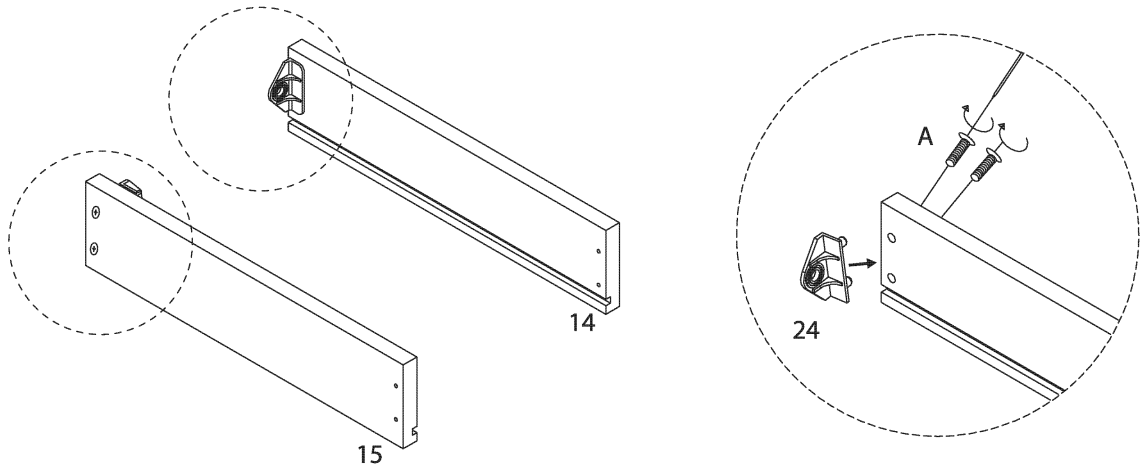
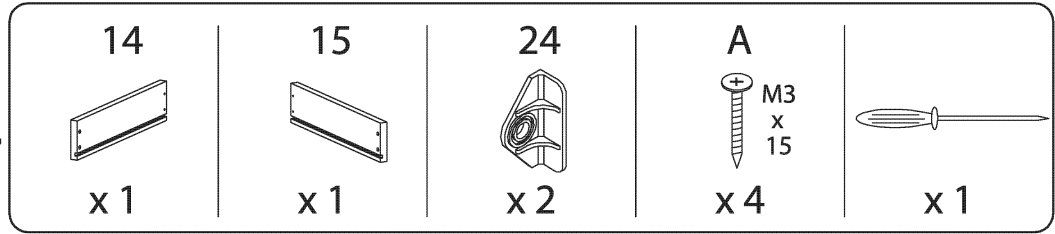


1	2	3	4	5
				
x 1	x 1	x 1	x 2	x 1

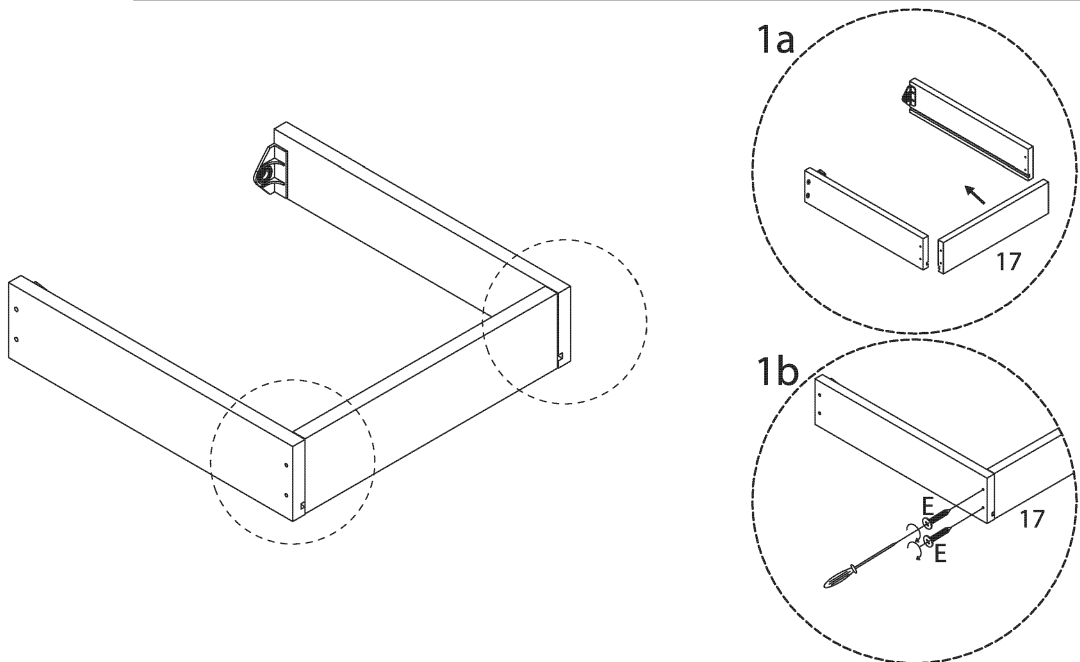
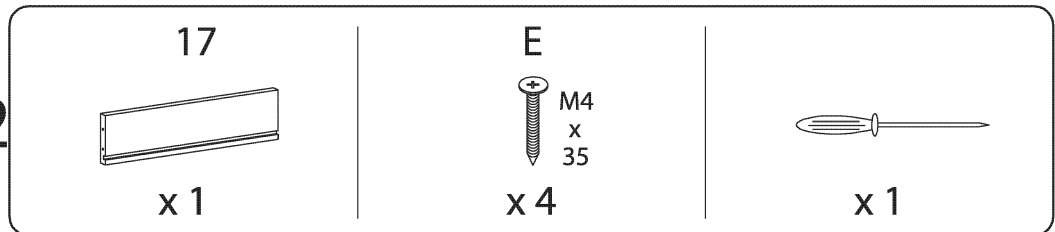
<p>6</p>  <p>x 1</p>	<p>7</p>  <p>x 2</p>	<p>8</p>  <p>x 1</p>	<p>9</p>  <p>x 1</p>	<p>10</p>  <p>x 1</p>
<p>11</p>  <p>x 1</p>	<p>12</p>  <p>x 1</p>	<p>13</p>  <p>x 1</p>	<p>14</p>  <p>x 2</p>	<p>15</p>  <p>x 2</p>
<p>16</p>  <p>x 3</p>	<p>17</p>  <p>x 2</p>	<p>18</p>  <p>x 1</p>	<p>19</p>  <p>x 1</p>	<p>20</p>  <p>x 1</p>
<p>21</p>  <p>x 1</p>	<p>22</p>  <p>x 1</p>	<p>23a</p>  <p>x 3</p>	<p>23b</p>  <p>x 3</p>	<p>23c</p>  <p>x 3</p>
<p>23d</p>  <p>x 3</p>	<p>24</p>  <p>x 8</p>	<p>25</p>  <p>x 3</p>	<p>26</p>  <p>x 4</p>	<p>27</p>  <p>x 2</p>

<p>28a</p>  <p>x 2</p>	<p>28b</p>  <p>x 3</p>	<p>28c</p>  <p>x 3</p>	<p>28d</p>  <p>x 1</p>	
<p>28e</p>  <p>x 1</p>	<p>28f</p>  <p>x 3</p>	<p>28g</p>  <p>x 1</p>	<p>A</p>  <p>M3 x 15</p> <p>x 56</p>	
<p>B</p>  <p>M6 x 40</p> <p>x 14</p>	<p>C</p>  <p>M6 x 60</p> <p>x 2</p>	<p>D</p>  <p>M6 x 40</p> <p>x 6</p>	<p>E</p>  <p>M4 x 35</p> <p>x 12</p>	
<p>F</p>  <p>M4 x 14</p> <p>x 16</p>	<p>G</p>  <p>M6 x 15</p> <p>x 8</p>	<p>H</p>  <p>M6 x 30</p> <p>x 8</p>	<p>I</p>  <p>M6 x 45</p> <p>x 2</p>	
<p>J</p>  <p>x 6</p>	<p>K</p>  <p>M4 x 20</p> <p>x 6</p>	<p>L</p>  <p>x 8</p>	<p>M</p>  <p>x 14</p>	 <p>x 1</p>

1x2

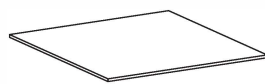


2x2

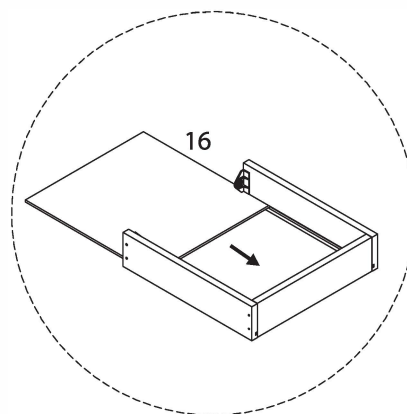
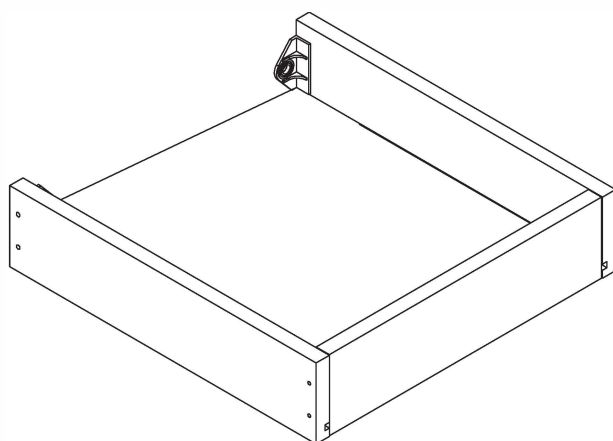


3x2

16

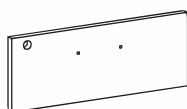


x 1



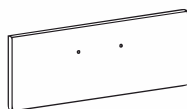
4

13



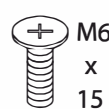
x 1

18

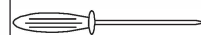


x 1

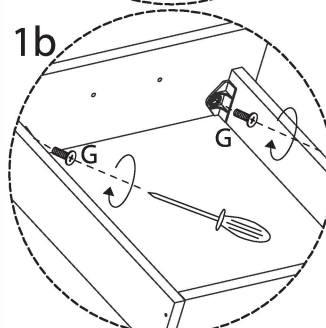
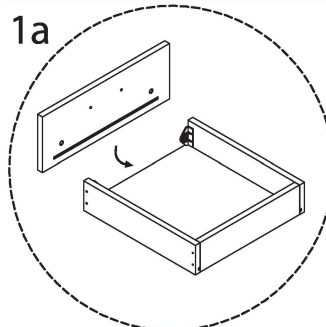
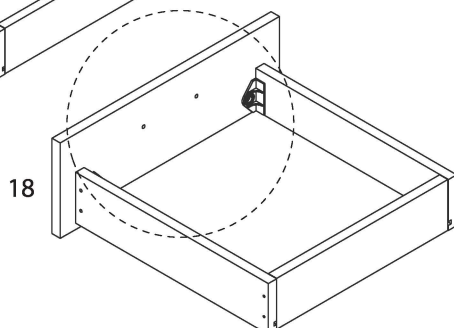
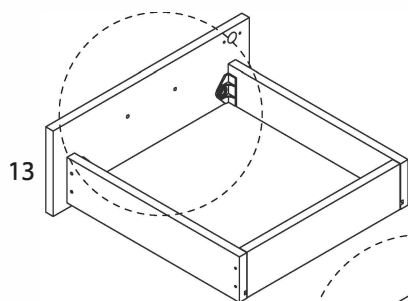
G






x 4

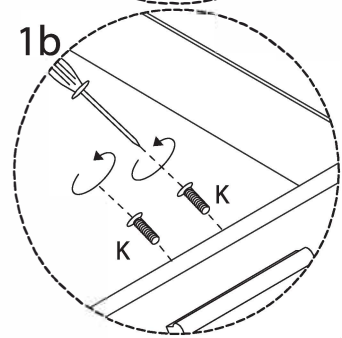
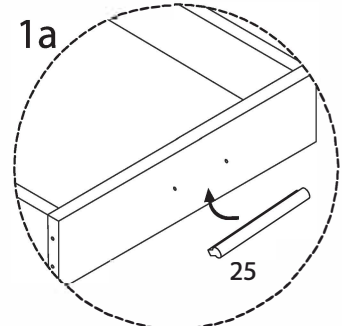
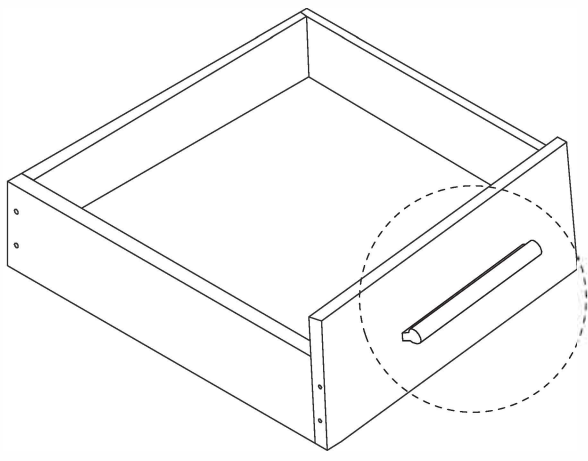


x 1


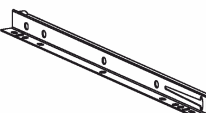

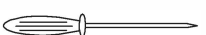


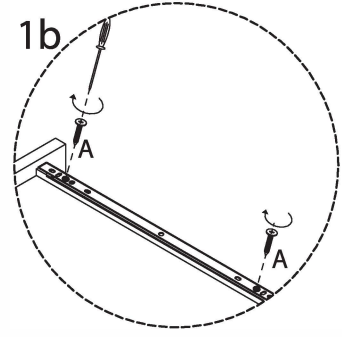
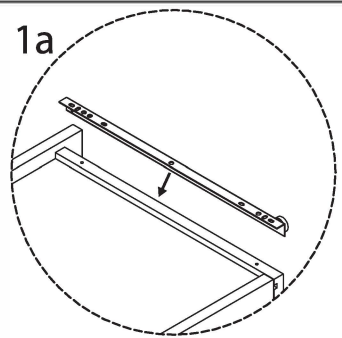
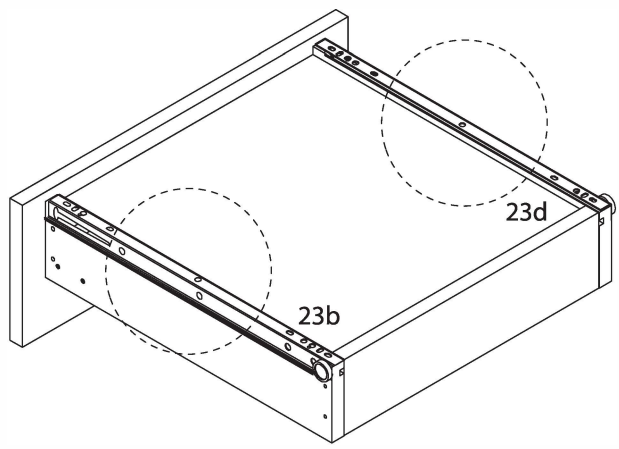
5x2

<p>25</p>  <p>x 1</p>	<p>K</p>  <p>M4 x 20</p> <p>x 2</p>	 <p>x 1</p>
--	--	--

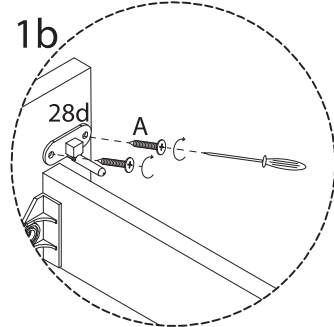
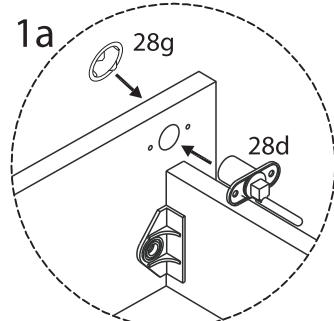
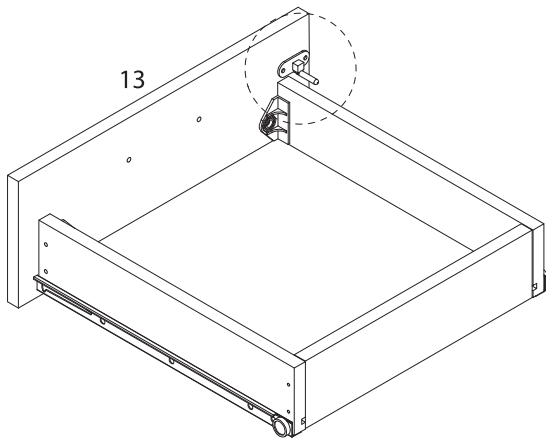
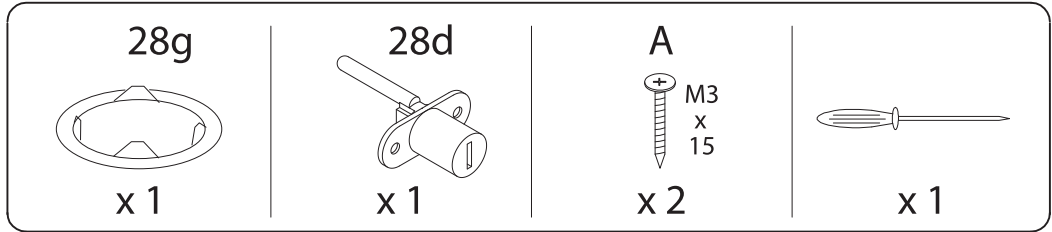


6x2

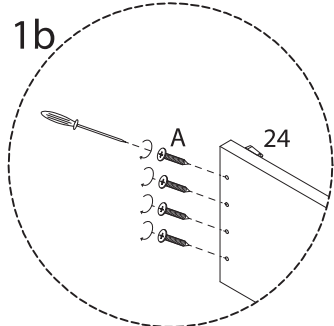
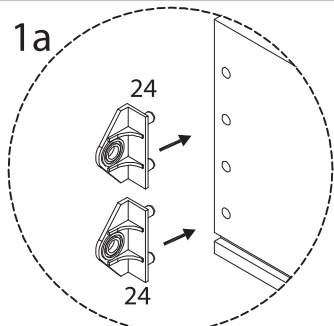
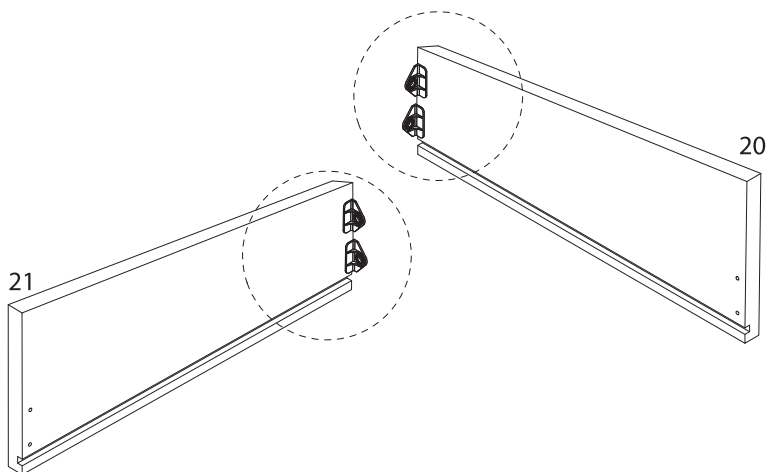
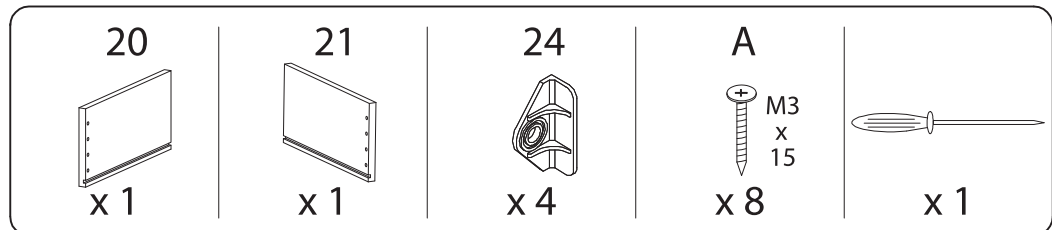
<p>23b</p>  <p>x 1</p>	<p>23d</p>  <p>x 1</p>	<p>A</p>  <p>M3 x 15</p> <p>x 4</p>	 <p>x 1</p>
---	---	--	--



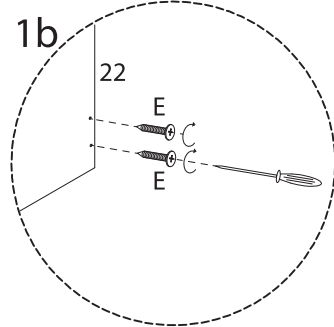
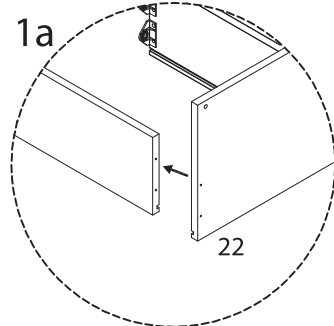
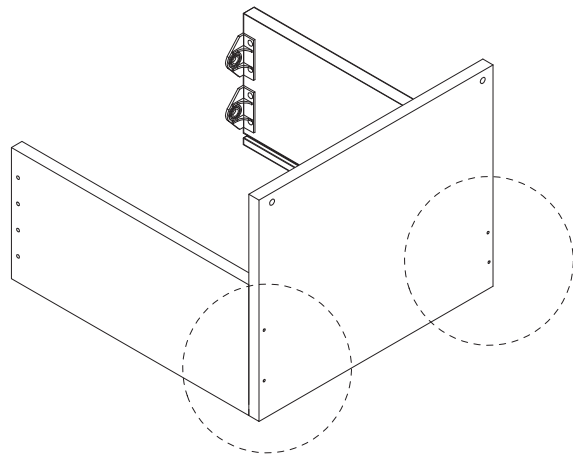
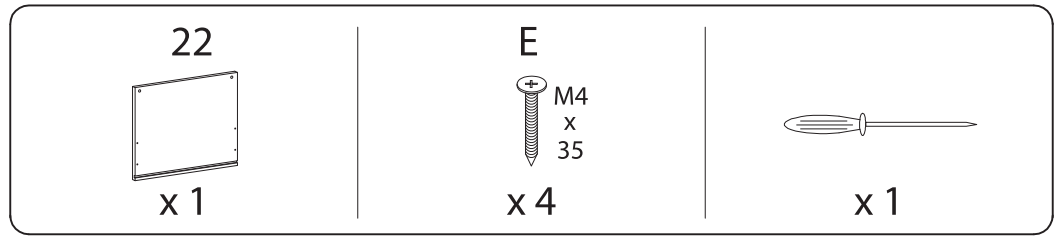
7



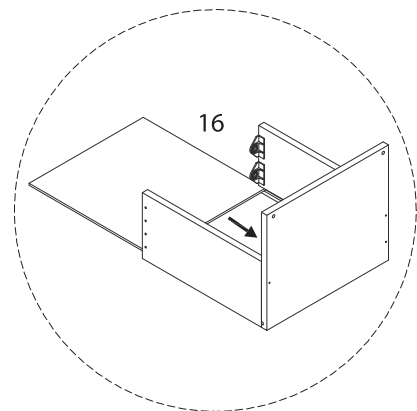
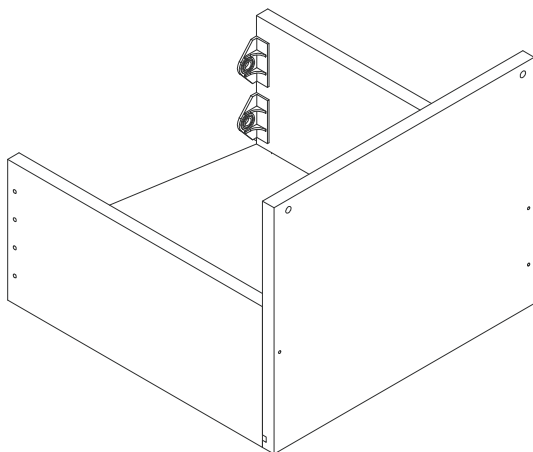
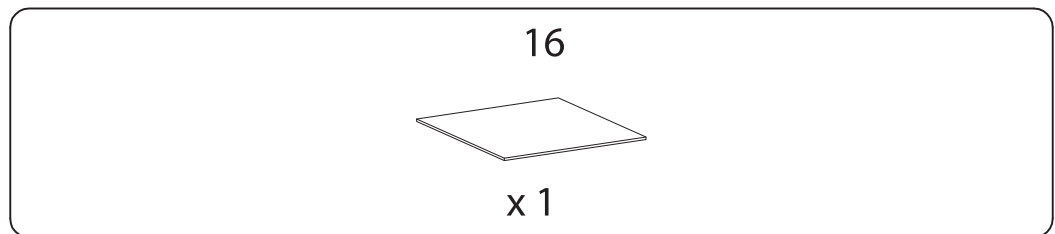
8



9

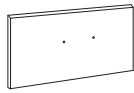


10



11

19



x 1

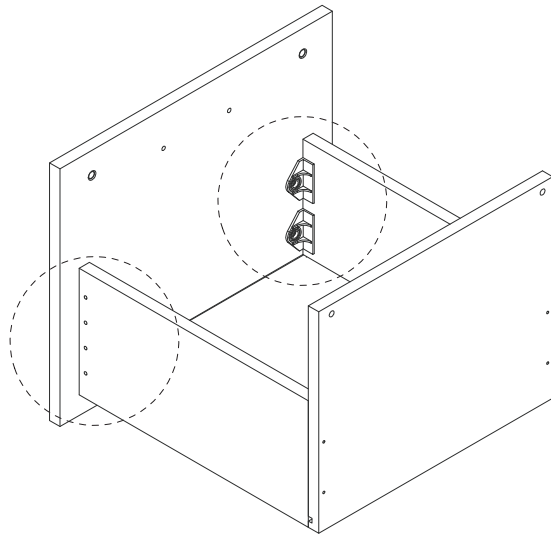
G



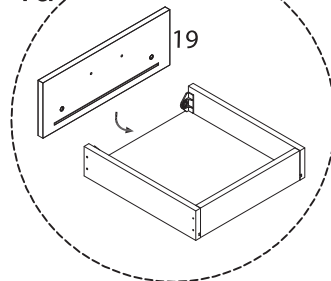
x 4



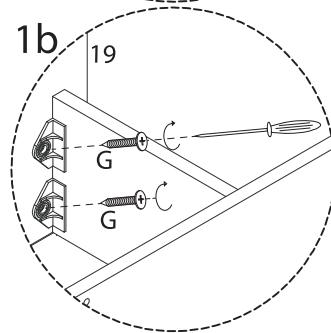
x 1



1a



1b



12

25



x 1

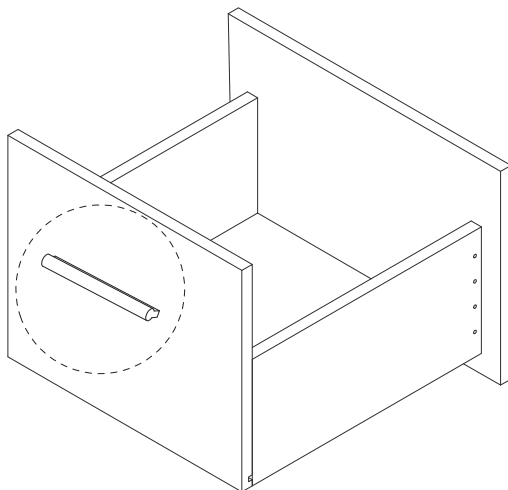
K



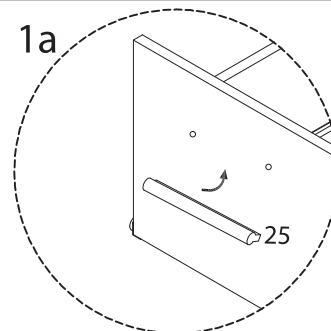
x 2



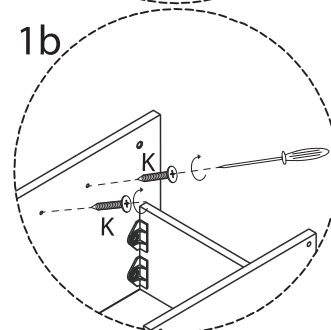
x 1



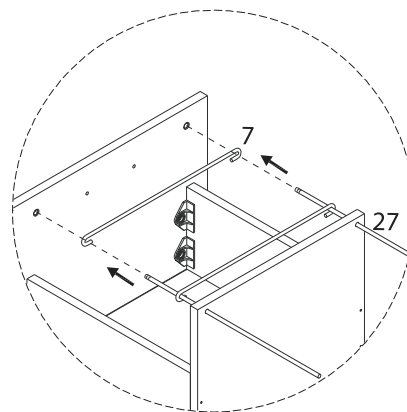
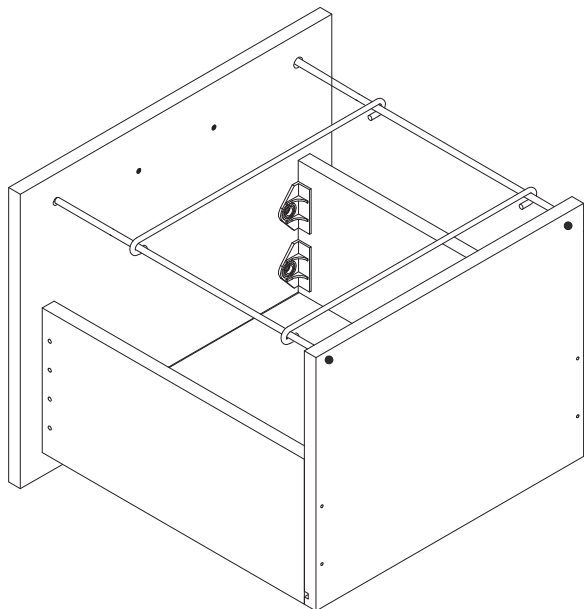
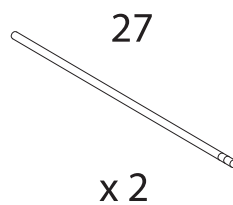
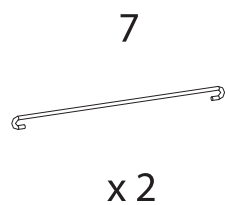
1a



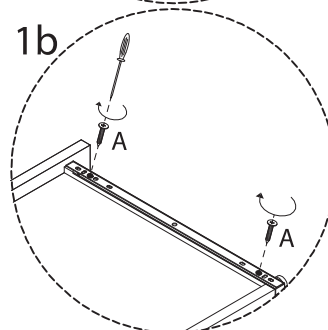
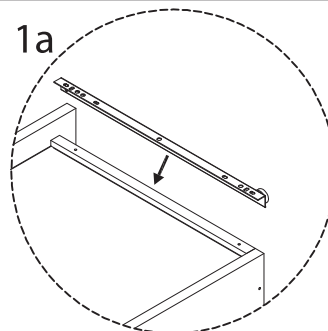
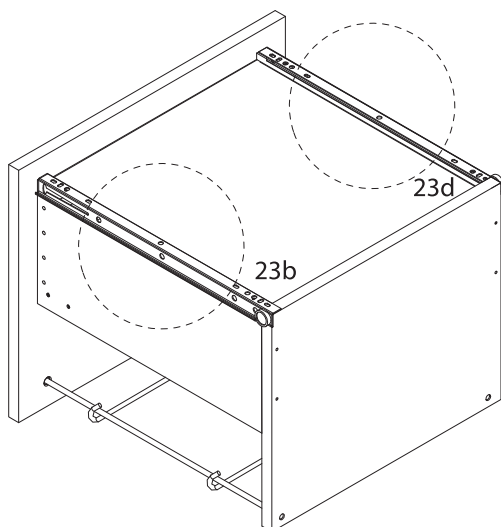
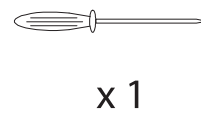
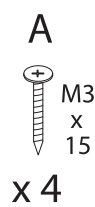
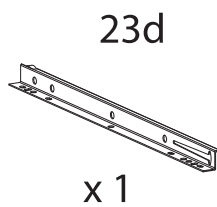
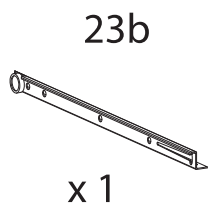
1b



13

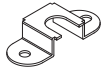


14



15

28b

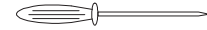


x 3

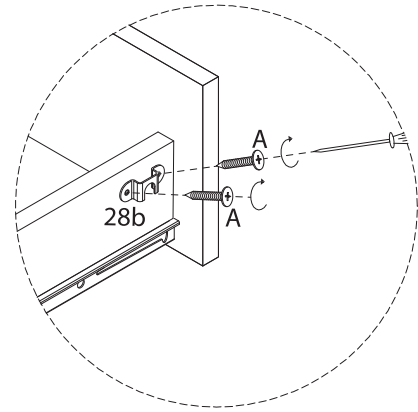
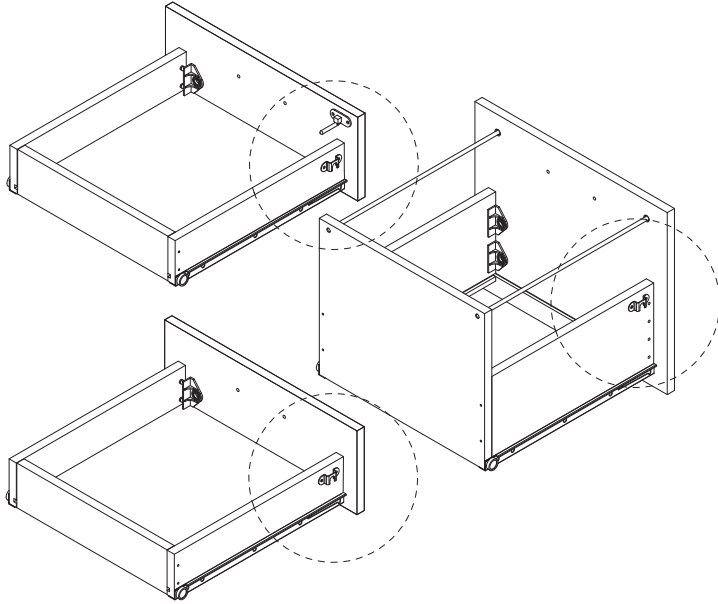
A



x 6

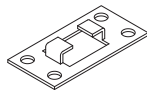


x 1



16

28a



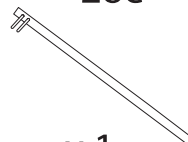
x 2

28c



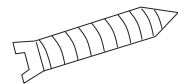
x 3

28e

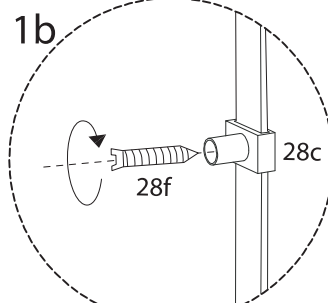
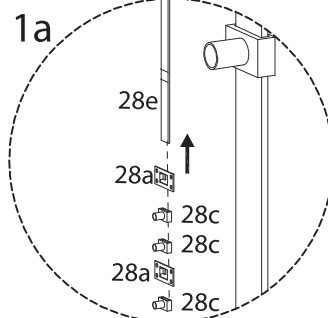
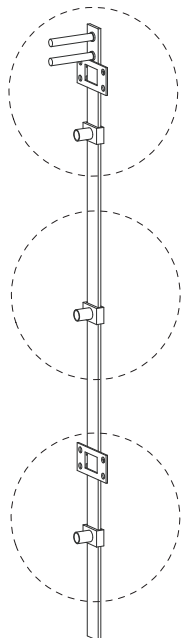


x 1

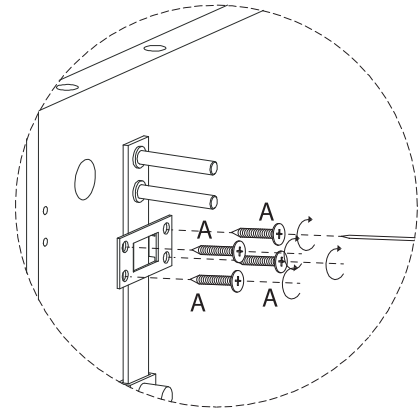
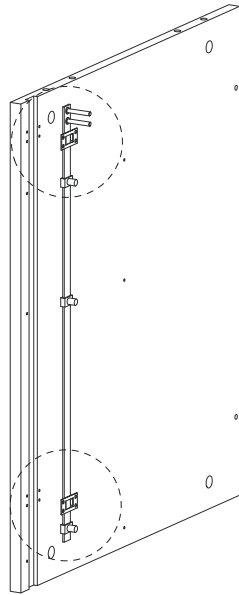
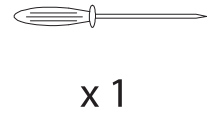
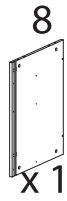
28f



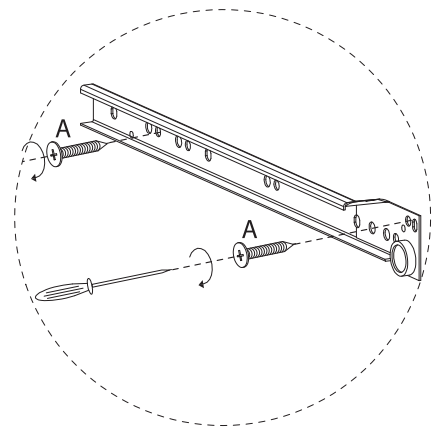
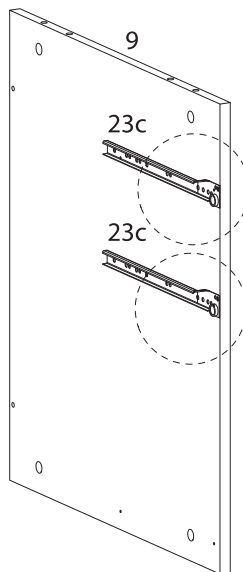
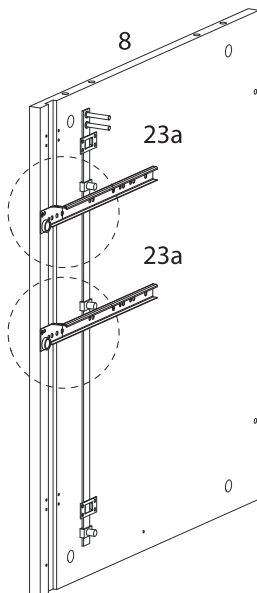
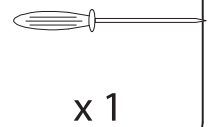
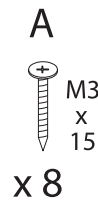
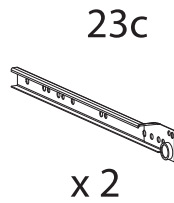
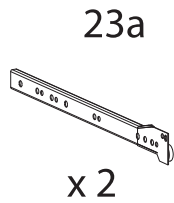
x 3



17



18

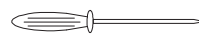


19

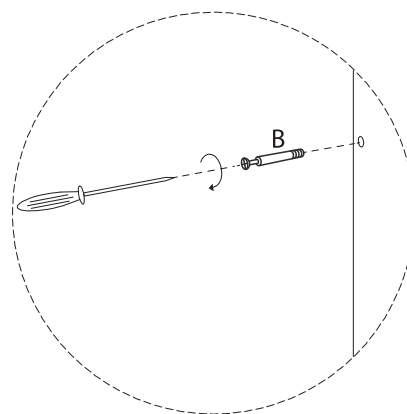
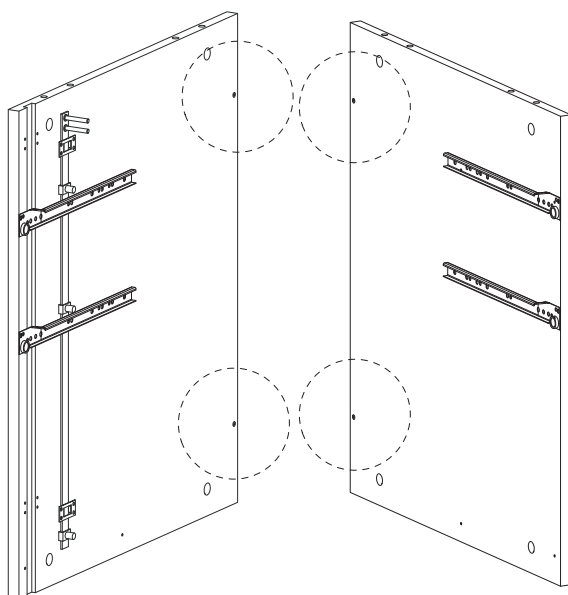
B

M6  
x  
40

x 4

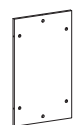


x 1



20

10



x 1

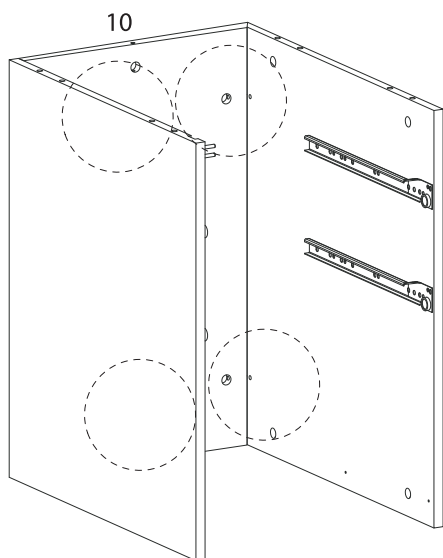
M



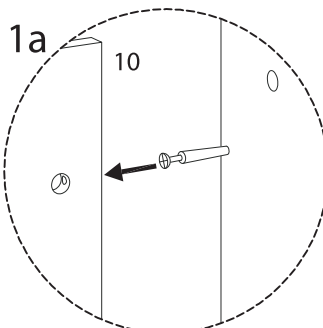
x 4



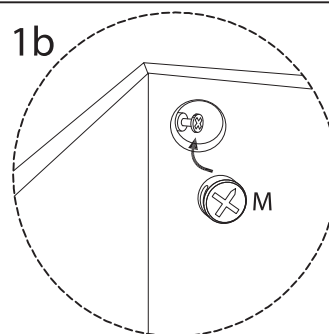
x 1



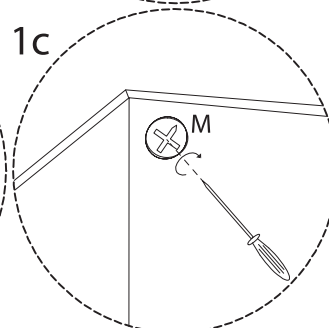
1a



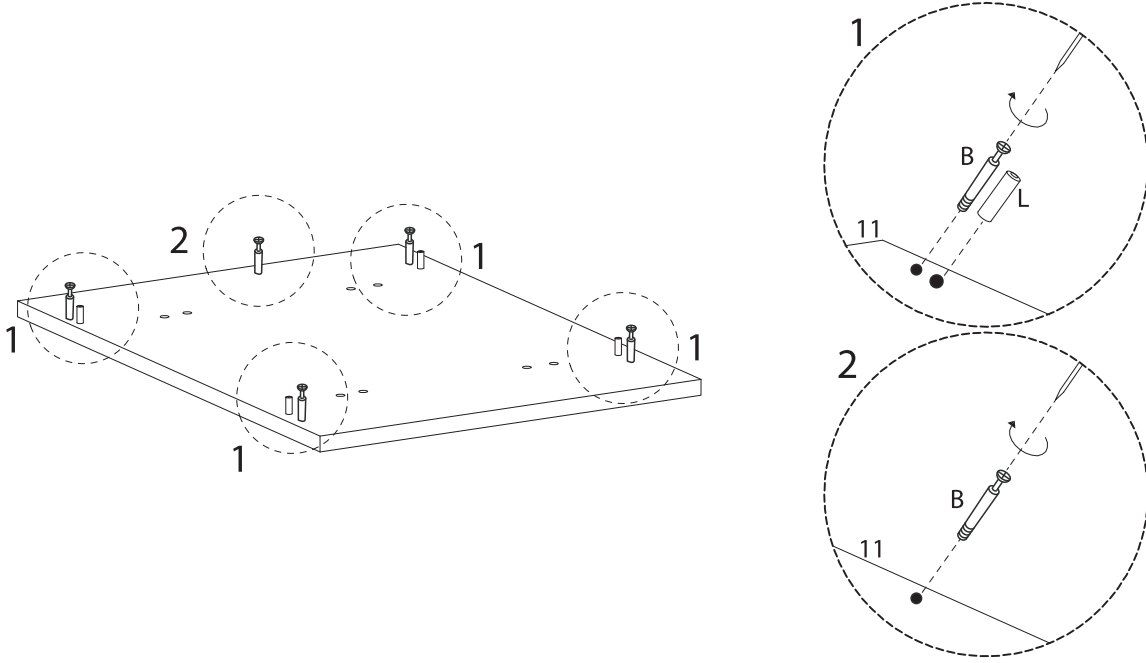
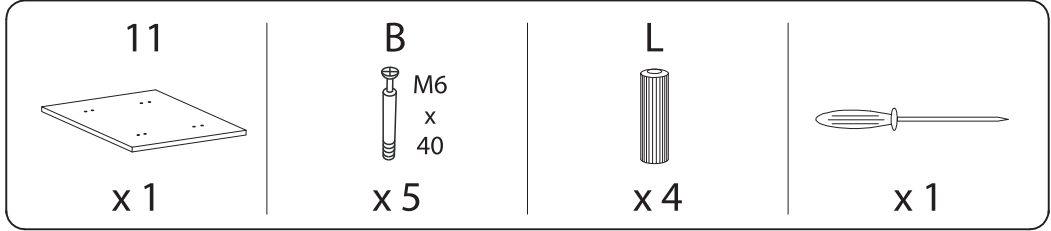
1b



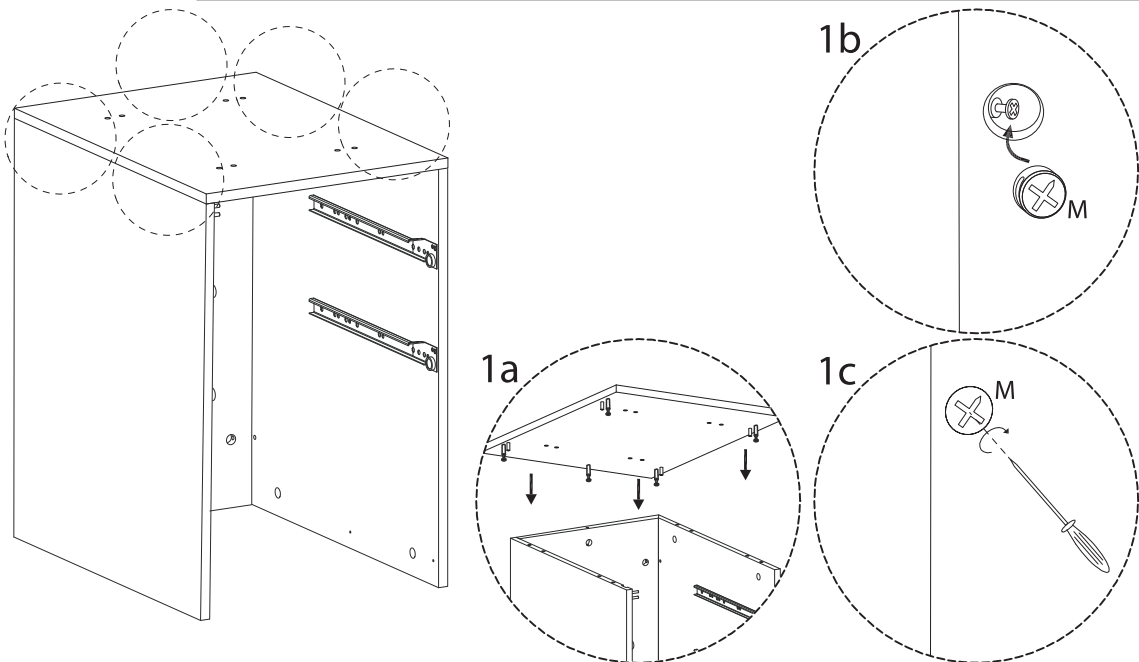
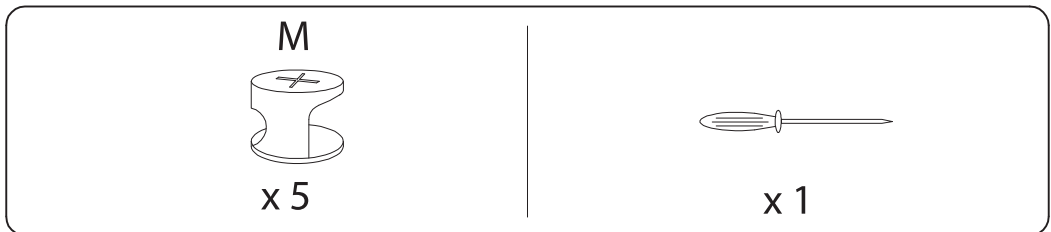
1c



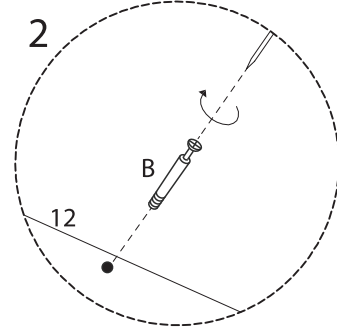
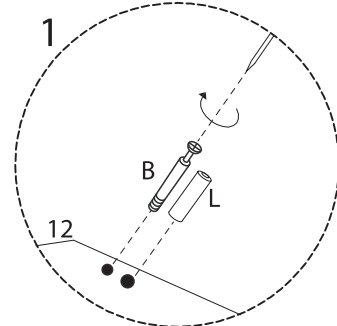
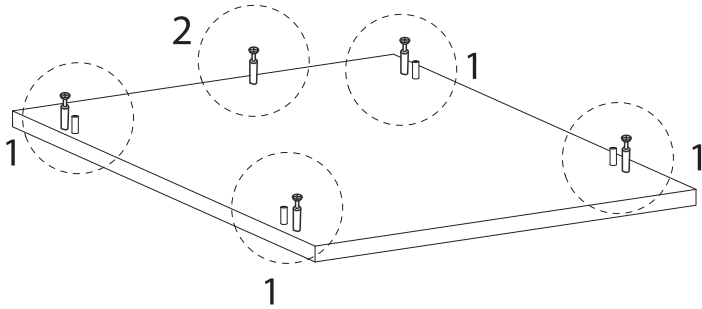
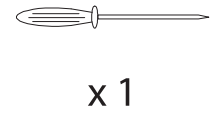
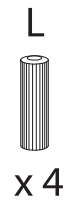
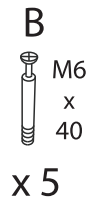
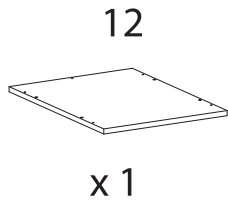
21



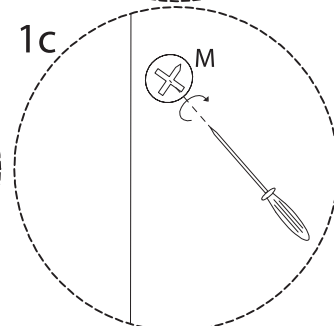
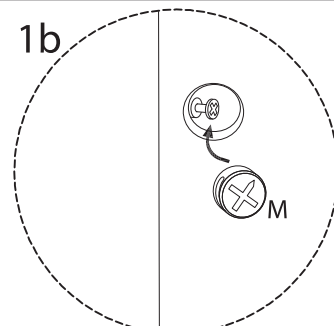
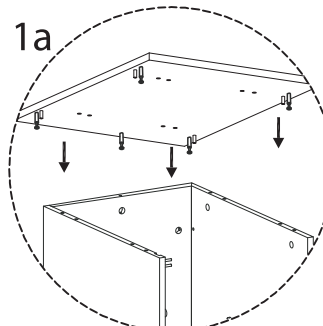
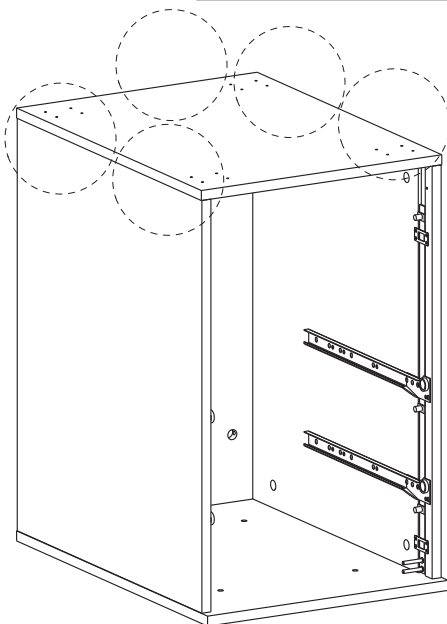
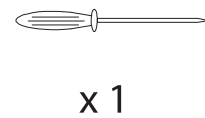
22



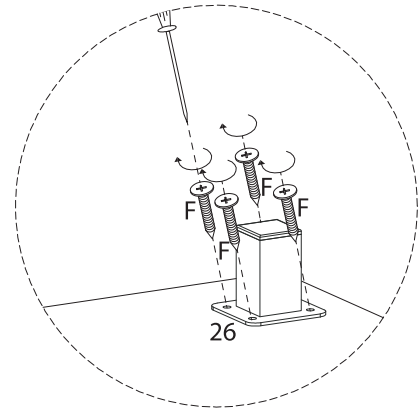
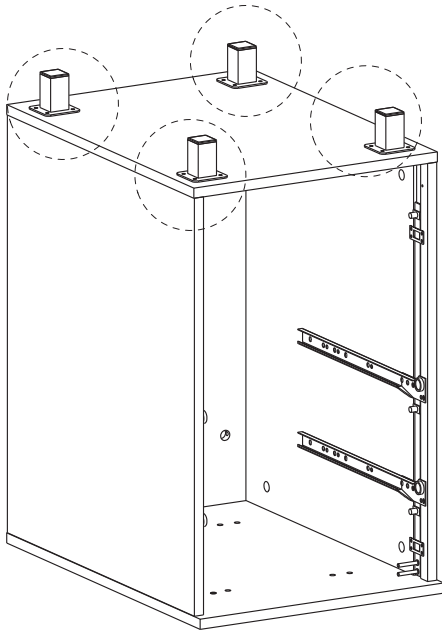
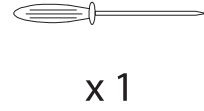
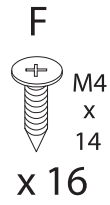
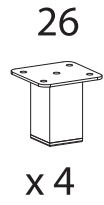
23



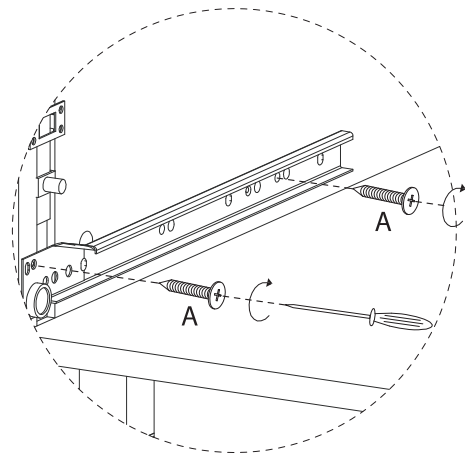
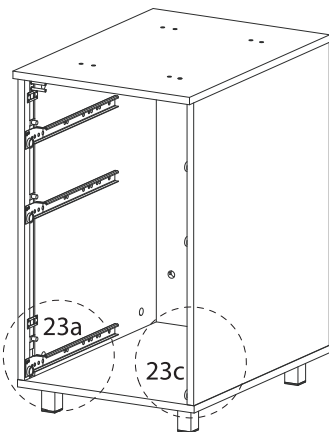
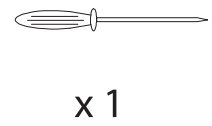
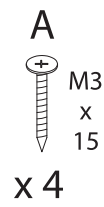
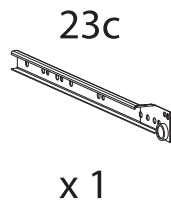
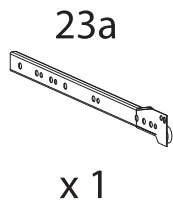
24



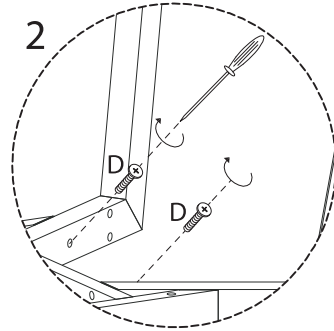
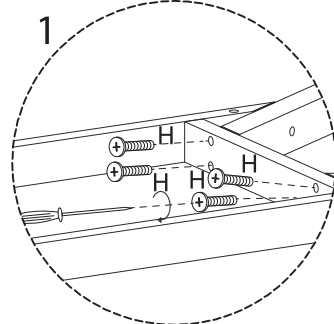
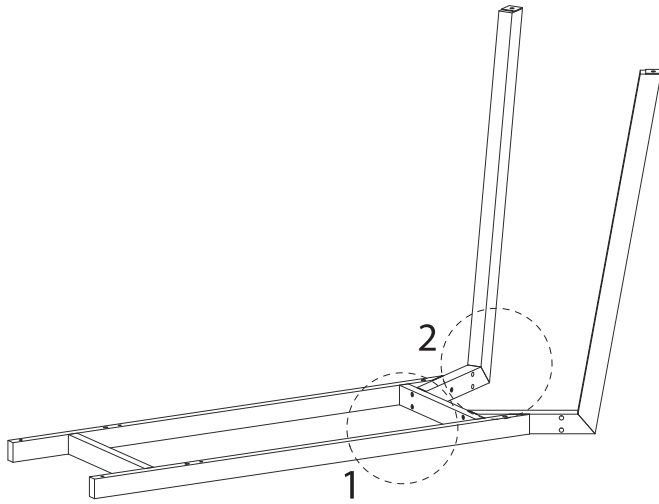
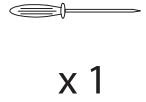
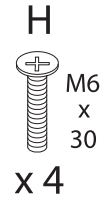
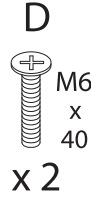
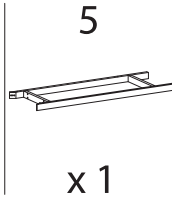
25



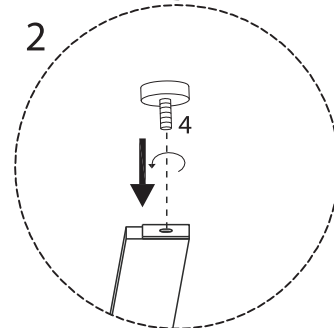
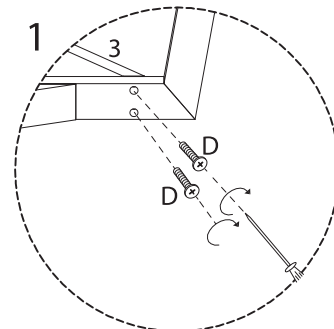
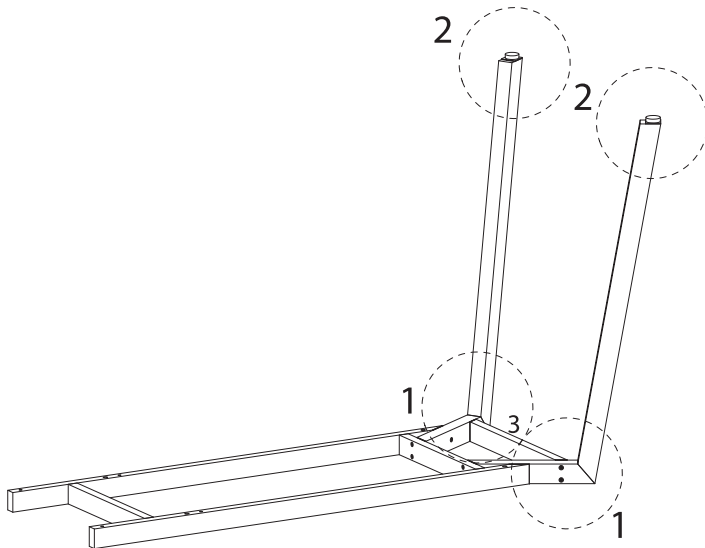
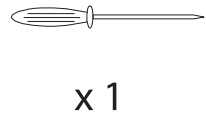
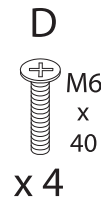
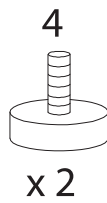
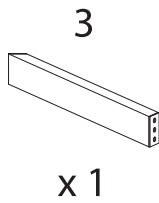
26



27

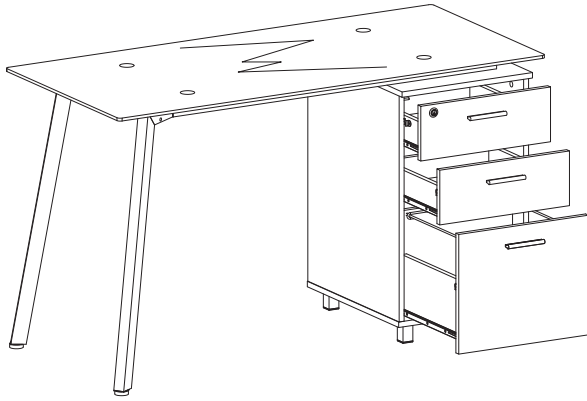


28

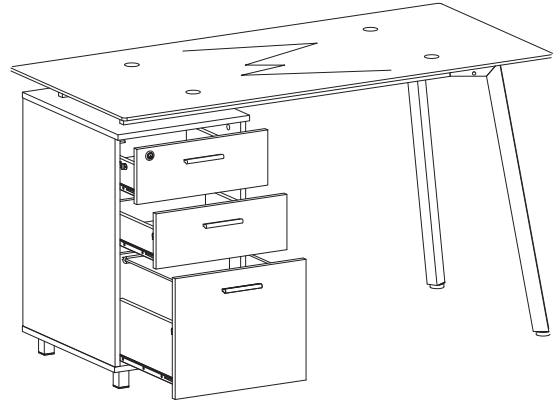


!

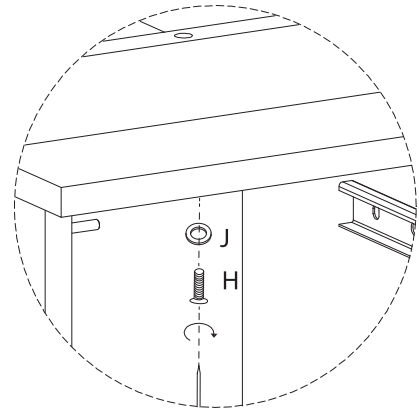
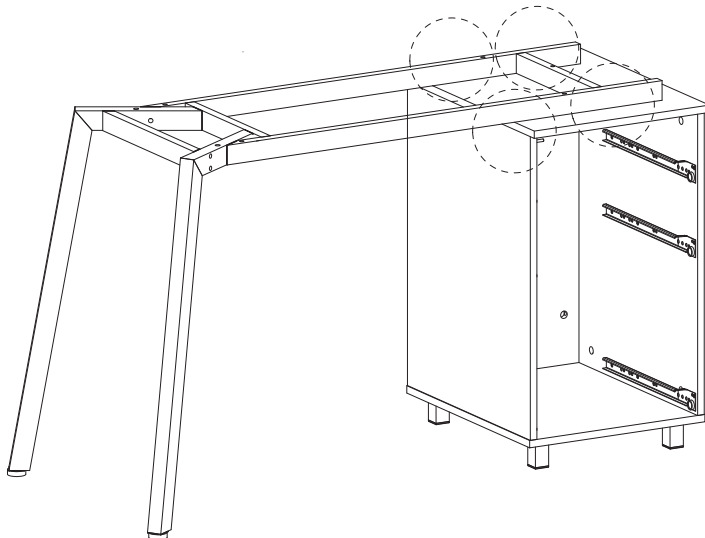
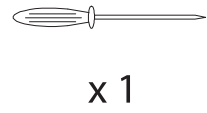
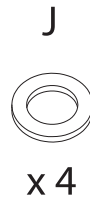
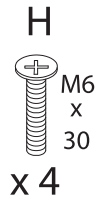
A



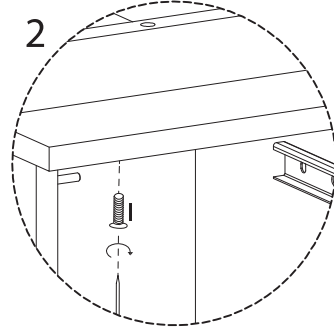
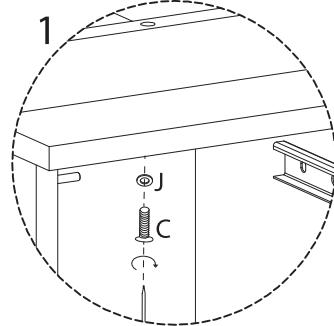
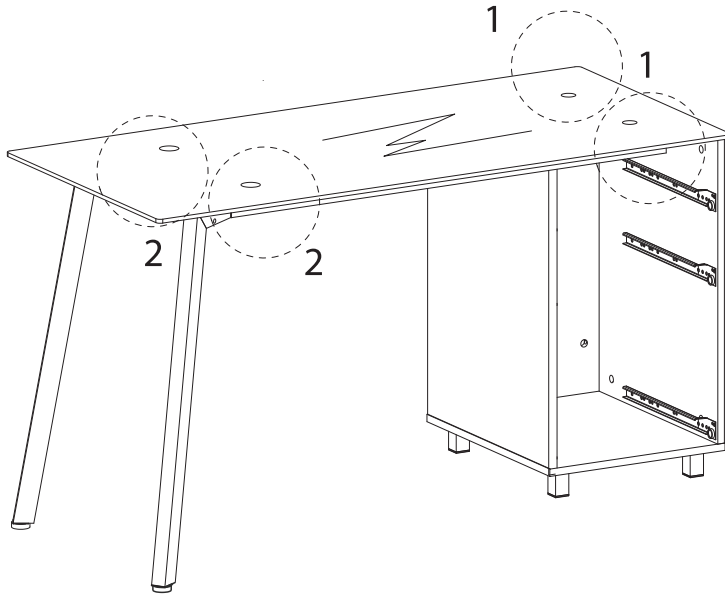
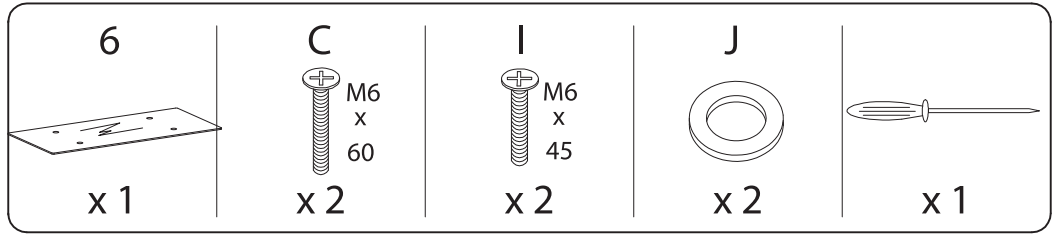
B



29



30



31

