

ASSEMBLY INSTRUCTION

We believe you will absolutely love your new furniture. Please immediately examine this product

90-Day Limited Warranty Statement for Manufacturing Defects

Please read this Limited Warranty carefully. To maintain your Warranty, you will need to comply with the conditions stated here.

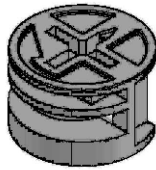
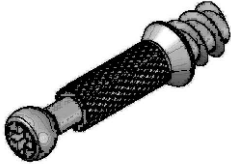
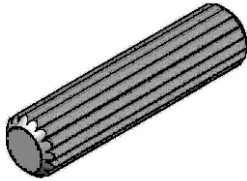
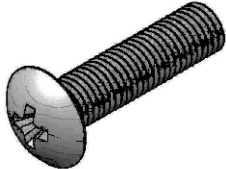
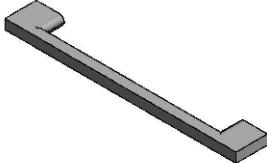
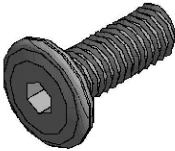
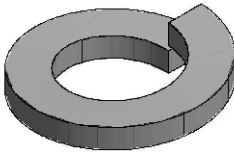
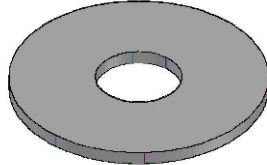
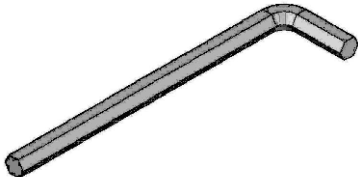
This warranty is for manufacturing defects only and does not cover damages as a result of misuse.

1. Our products sold comply with the description contained in this Warranty. All parts and products are warranted 90-Day from the original date of delivery except: parts and products used for commercial, contract, rental trade, institutional, or any other non-residential purposes; parts and products that have not been maintained in accordance with the care recommendations provided; parts and products damaged resulting from the consumer's improper assembly; or parts and products that are damaged or defective due to normal wear and tear.
2. To exercise rights under this warranty, proper documentation, i.e., photography, purchase order number, manufacturer's bar code label, and or any other pertinent information upon request is required. We reserve the right to repair or replace the product within the warranty period based upon the documentation received as support of a claim for consideration. We will not replace or repair any product if improper maintenance, improper handling, or improper use caused the damage. Any product sold from or modified by a Non-Authorized Dealer, Seller or Consumer will void the Warranty.
3. Cost of packaging and shipping to and from us is not covered by the warranty unless expressly arranged by us. This warranty does not extend to furniture that has been exchanged or replaced by us as settlement of an original claim of defective merchandise. This warranty does not extend to furniture that has been moved from delivery location on original purchase order.

We appreciate your business!

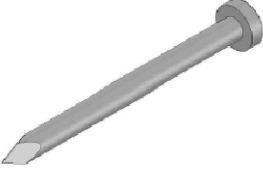
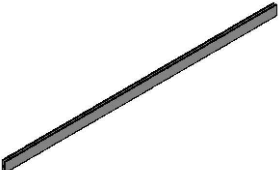
ASSEMBLY INSTRUCTION

HARDWARES LIST

| ITEM | DESCRIPTION | DRAWING | QTY |
|------|-------------------------|--|--------|
| A | MINIFIX CAM LOCK |  | 20 PCS |
| B | MINIFIX CAM BOLT |  | 20 PCS |
| C | WOOD DOWEL (M6 x 25MM) |  | 24 PCS |
| D | TRUSS M-SCREW (16MM) |  | 4 PCS |
| E | HANDLE |  | 2 PCS |
| F | JCBC SCREW M6 x 15MM |  | 8 PCS |
| G | SPRING WASHER M6 x 13MM |  | 8 PCS |
| H | FLAT WASHER M6 x 19MM |  | 8 PCS |
| I | M4 ALLEN KEY (65MM) |  | 1 PC |

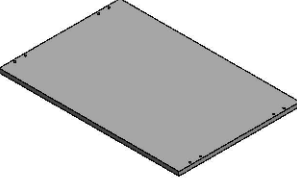
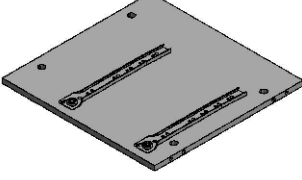
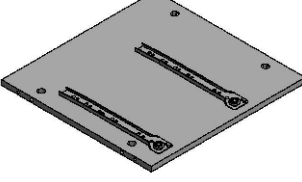
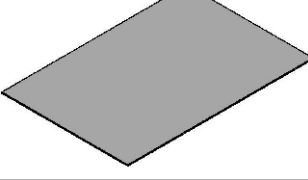
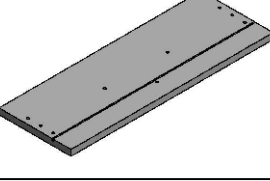
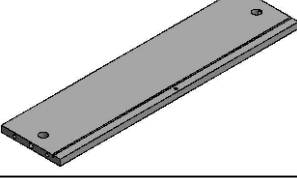
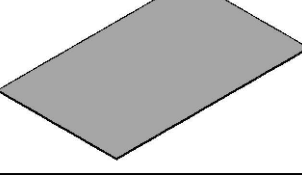
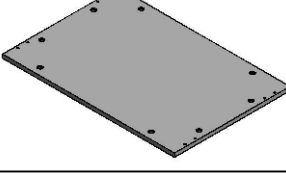
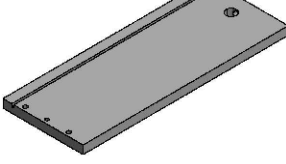
ASSEMBLY INSTRUCTION

HARDWARES LIST

| ITEM | DESCRIPTION | DRAWING | QTY |
|------|-------------------------|--|--------|
| J | 6/8" NAIL |  | 20 PCS |
| K | PLASTIC STRIP (H SHAPE) |  | 1 PC |

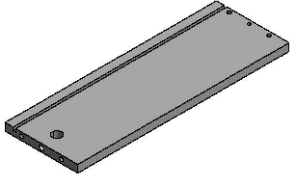
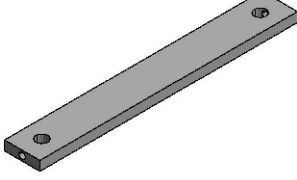
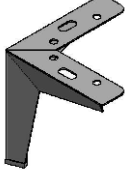
ASSEMBLY INSTRUCTION

PARTS LIST

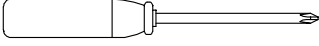
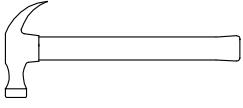
| ITEM | DESCRIPTION | DRAWING | QTY |
|------|---------------------|--|-------|
| N1 | TOP PANEL |  | 1 PC |
| N2 | LEFT PANEL |  | 1 PC |
| N3 | RIGHT PANEL |  | 1 PC |
| N4 | BACK PANEL |  | 2 PCS |
| N5 | DRAWER HEAD |  | 2 PCS |
| N6 | DRAWER BACK PANEL |  | 2 PCS |
| N7 | DRAWER BOTTOM PANEL |  | 2 PCS |
| N8 | BOTTOM PANEL |  | 1 PC |
| 19 | DRAWER LEFT PANEL |  | 2 PCS |

ASSEMBLY INSTRUCTION

PARTS LIST

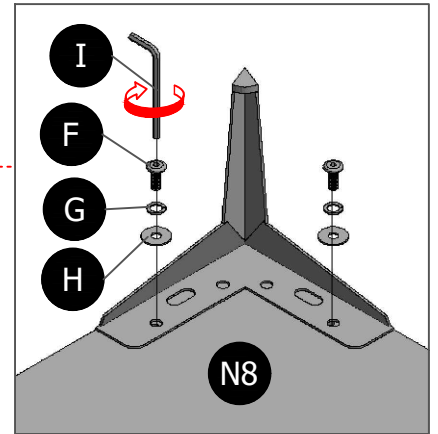
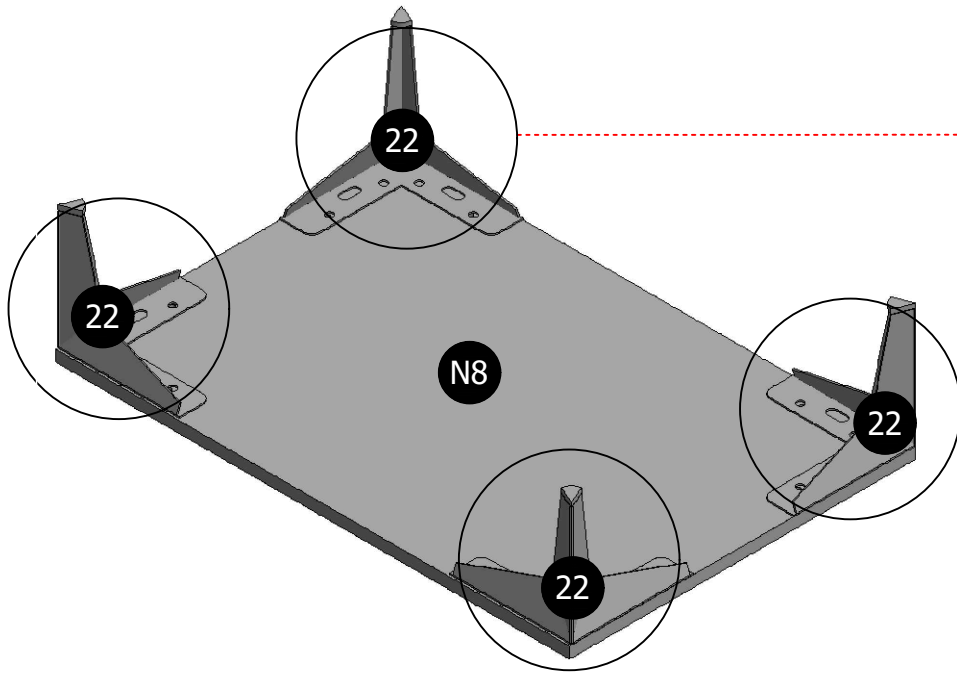
| ITEM | DESCRIPTION | DRAWING | QTY |
|------|----------------------------|--|-------|
| 20 | DRAWER RIGHT PANEL |  | 2 PCS |
| 21 | DRAWER BOTTOM SUPPORT RAIL |  | 2 PCS |
| 22 | METAL LEG |  | 4 PCS |

*Note: All parts needed are shown in above picture.
Numbers only indicate the specific parts for easy assembly.

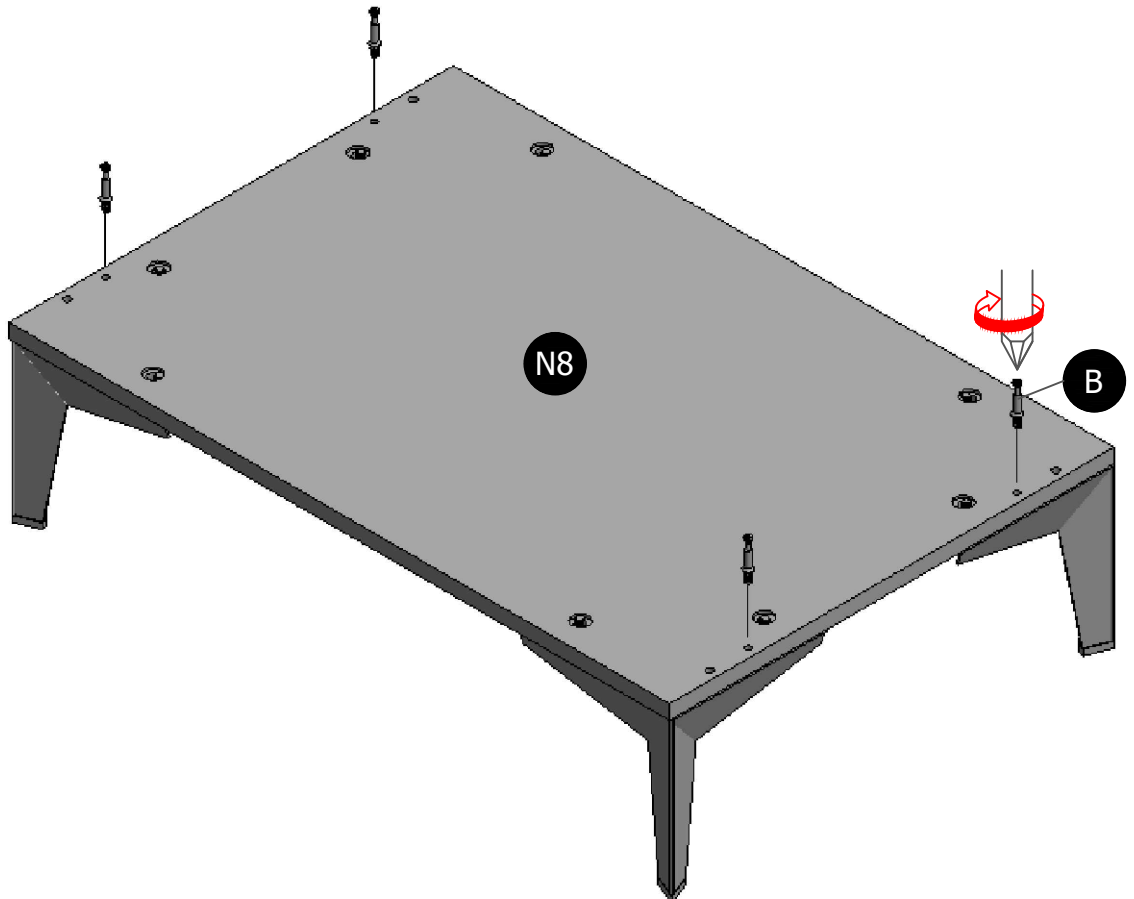
| ASSEMBLY TOOLS REQUIRED | |
|---|--|
| <p>1. Screwdriver (not provide)</p>  | <p>2. Hammer (not provide)</p>  |

ASSEMBLY INSTRUCTION

STEP 1

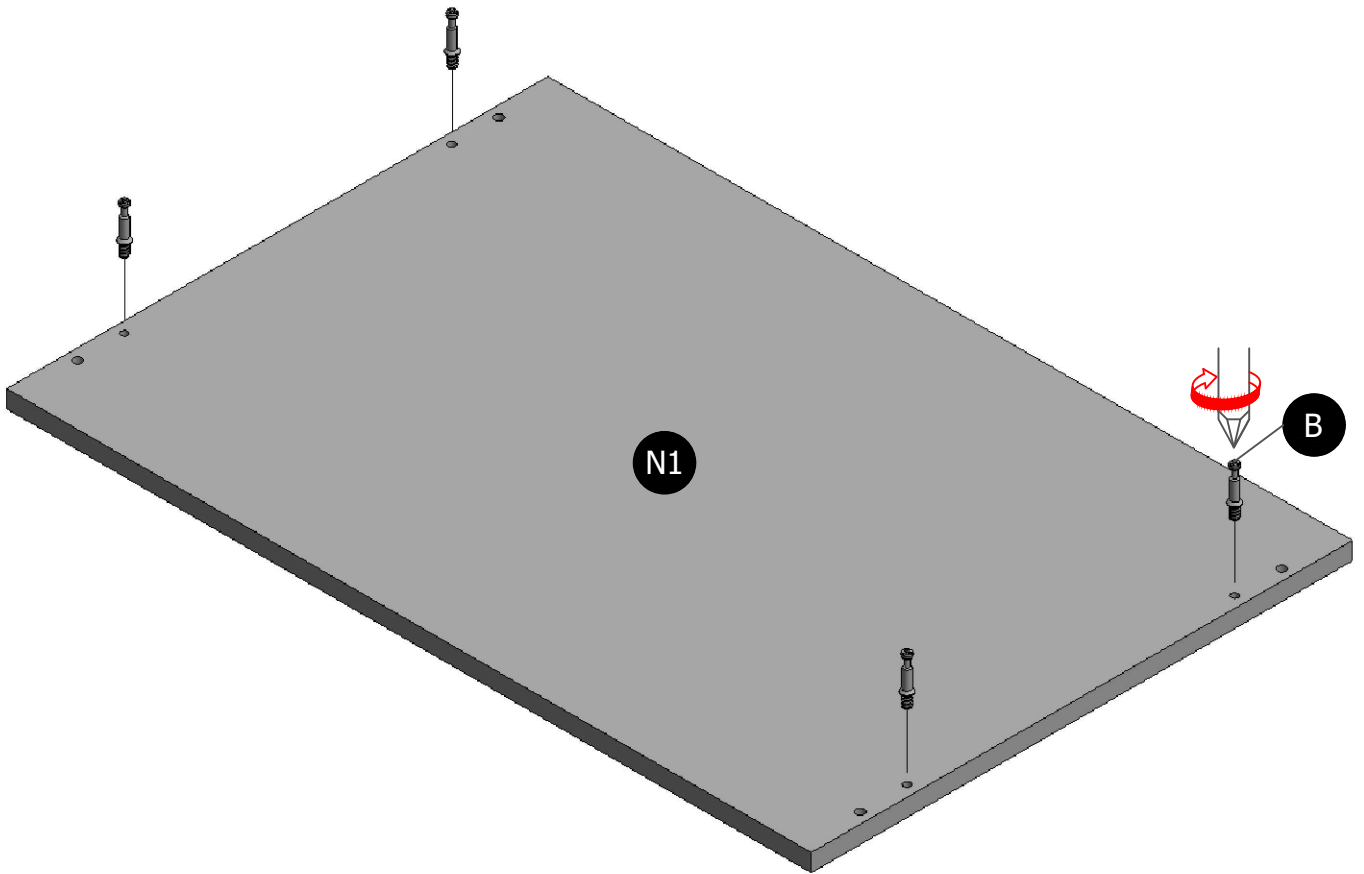


TURN AROUND



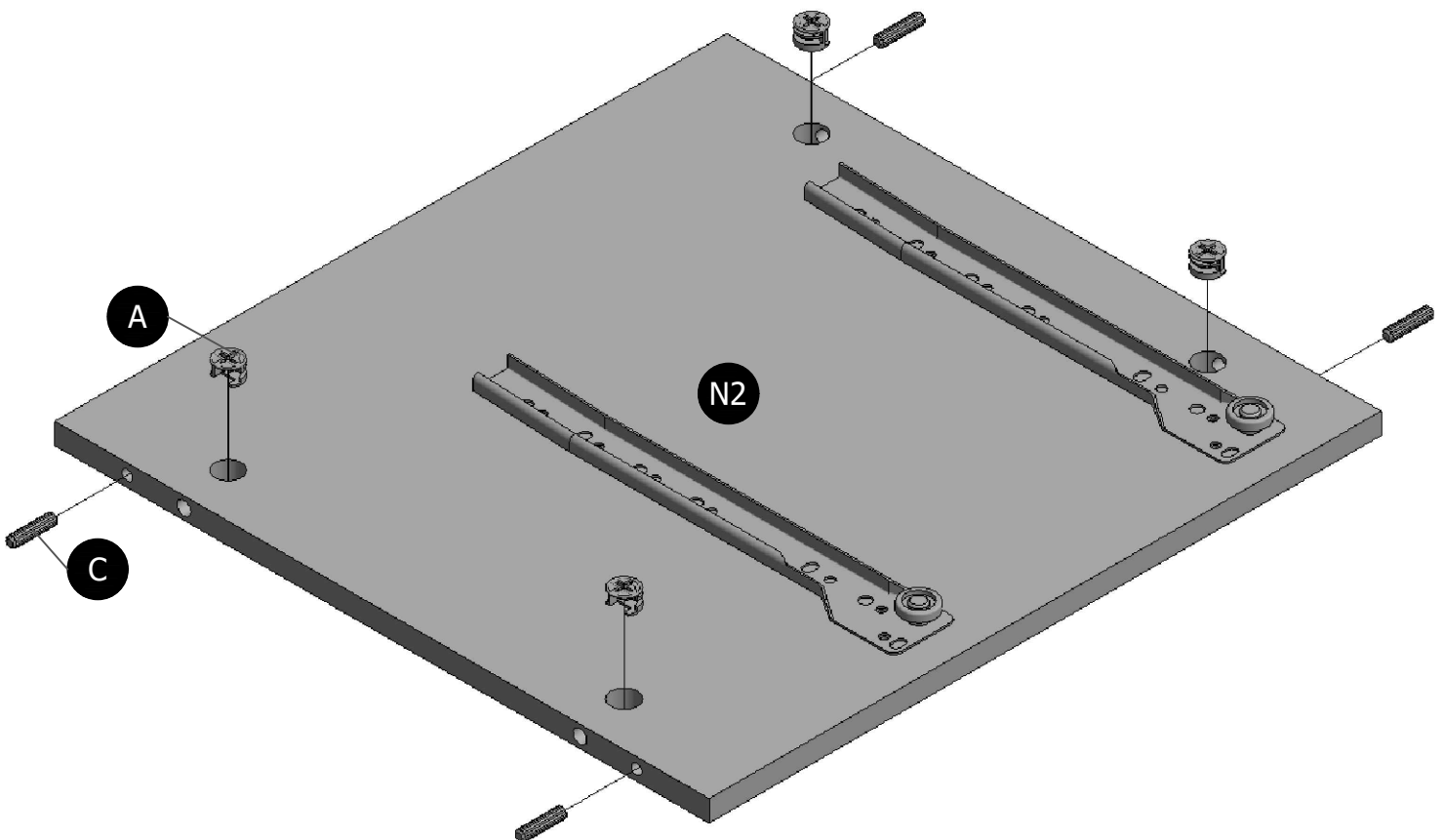
ASSEMBLY INSTRUCTION

STEP 2



STEP 3

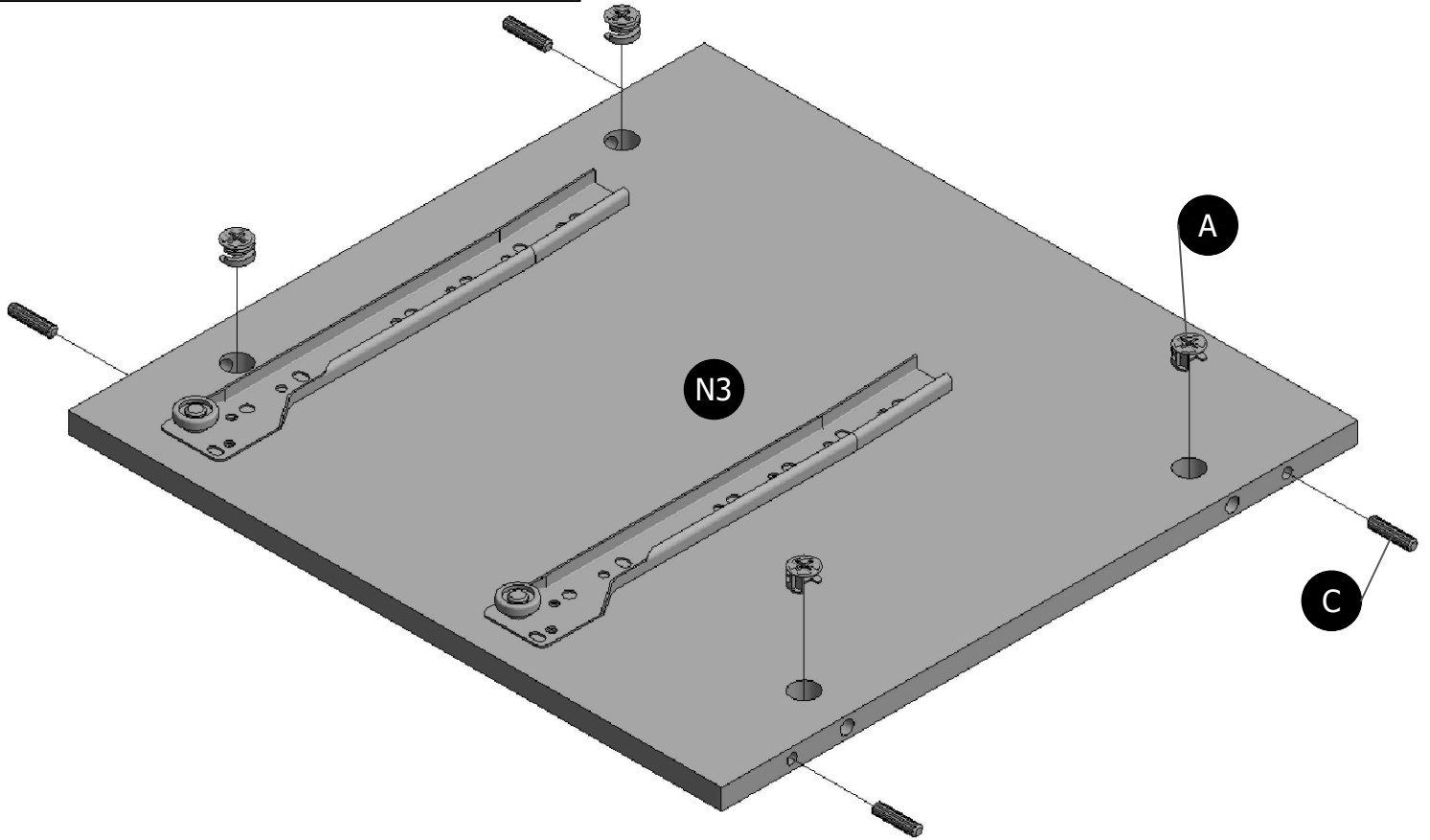
NOTE : - Make sure arrows on each (A) point towards nearest edge with hole.



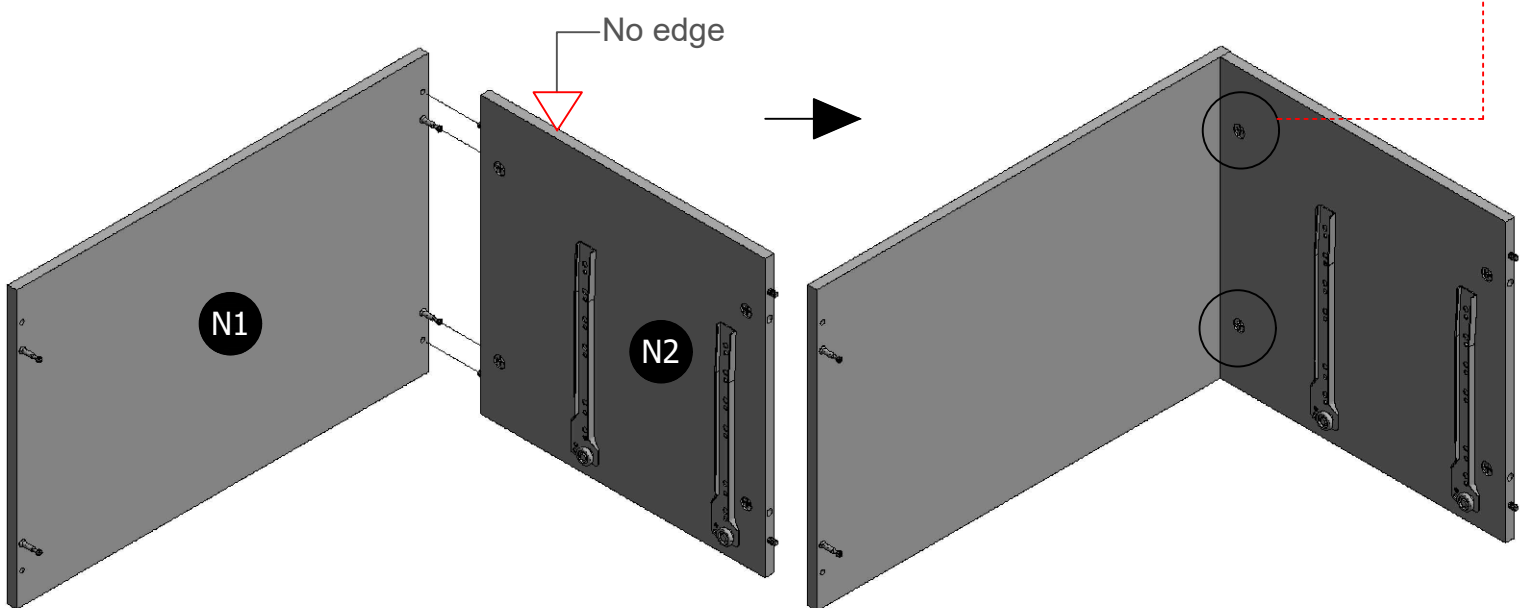
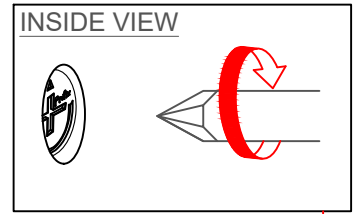
ASSEMBLY INSTRUCTION

STEP 4

NOTE : - Make sure arrows on each (A) point towards nearest edge with hole.

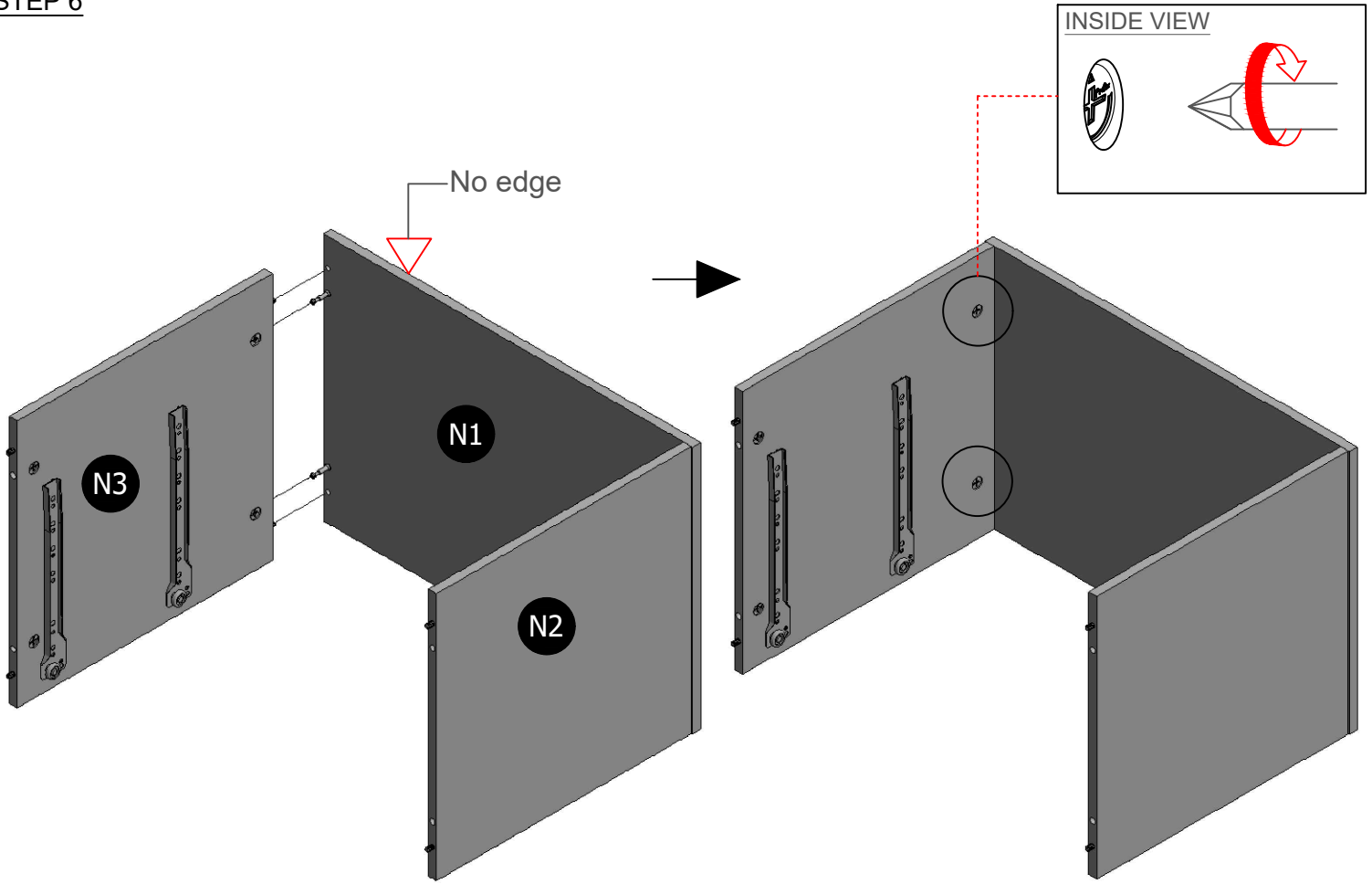


STEP 5

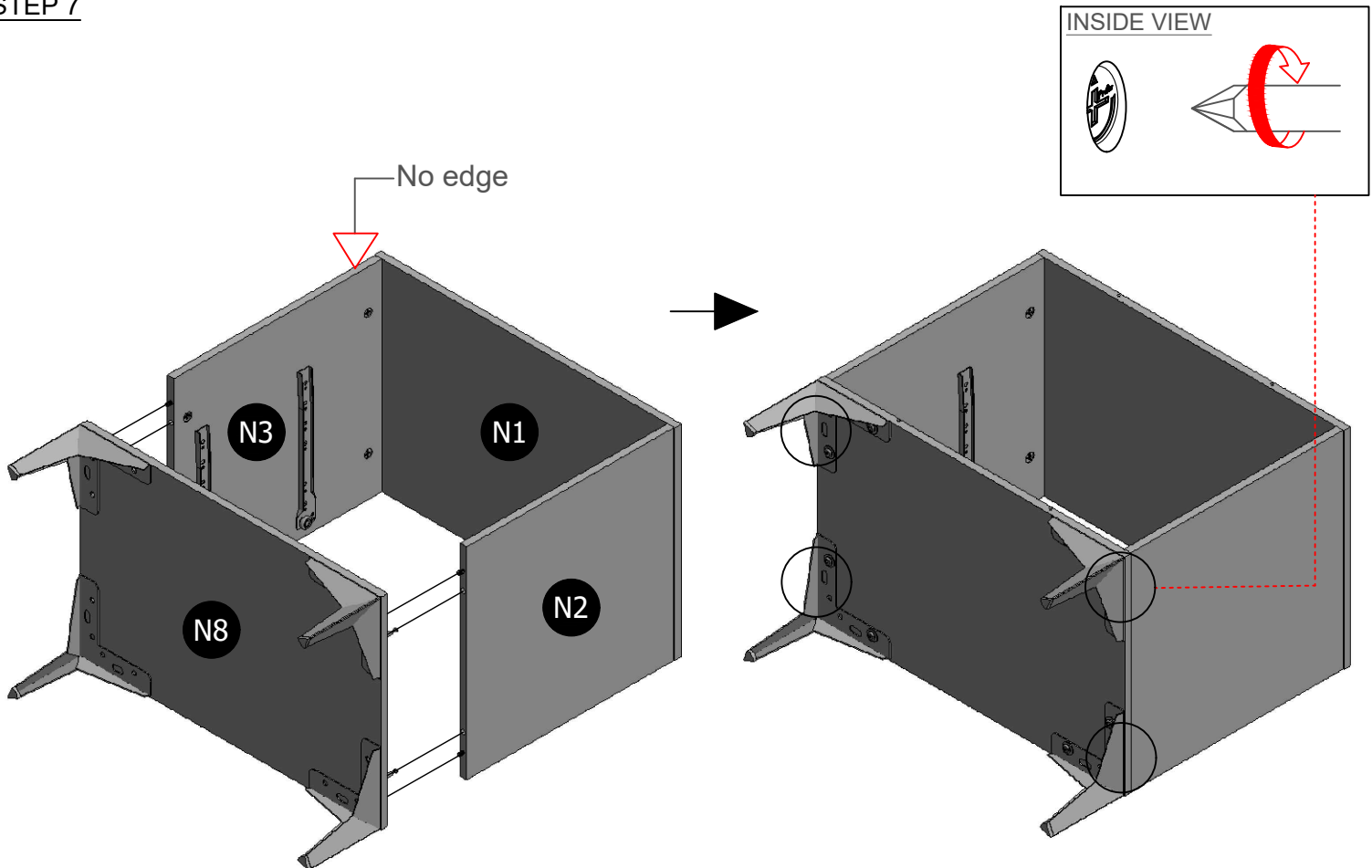


ASSEMBLY INSTRUCTION

STEP 6



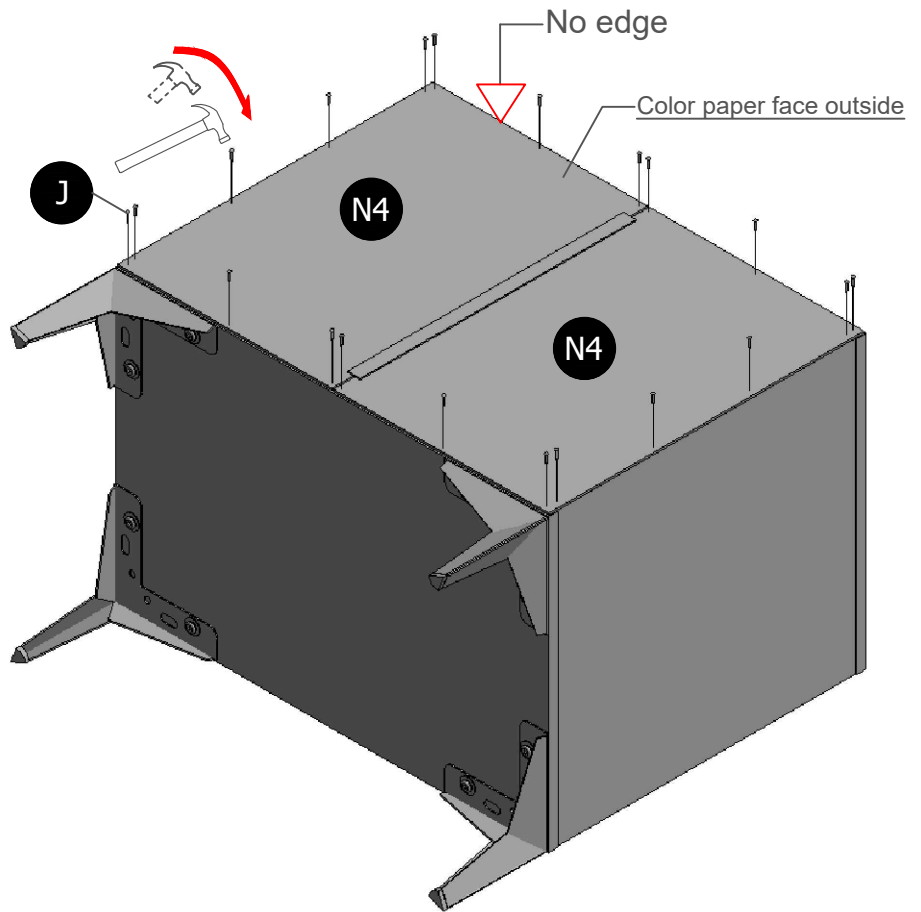
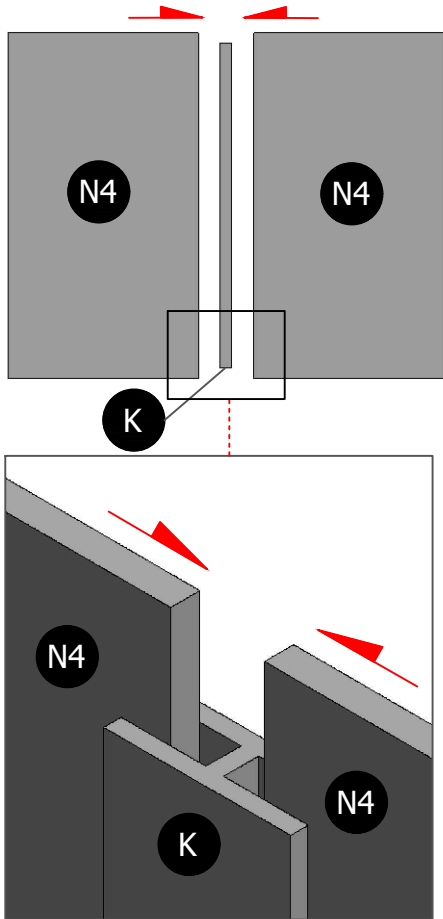
STEP 7



ASSEMBLY INSTRUCTION

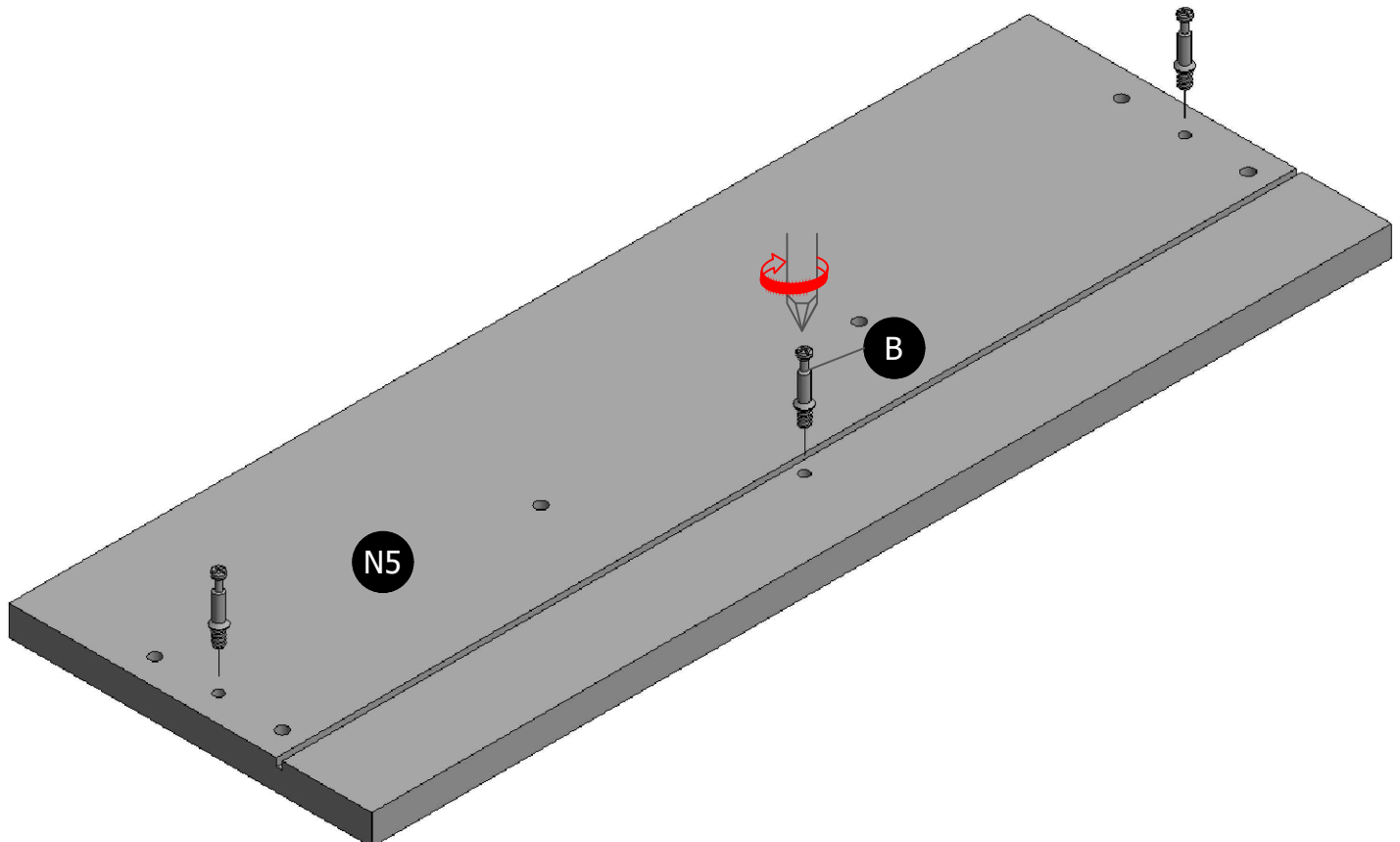
STEP 8

Side with color paper must be the same.



STEP 9

x 2

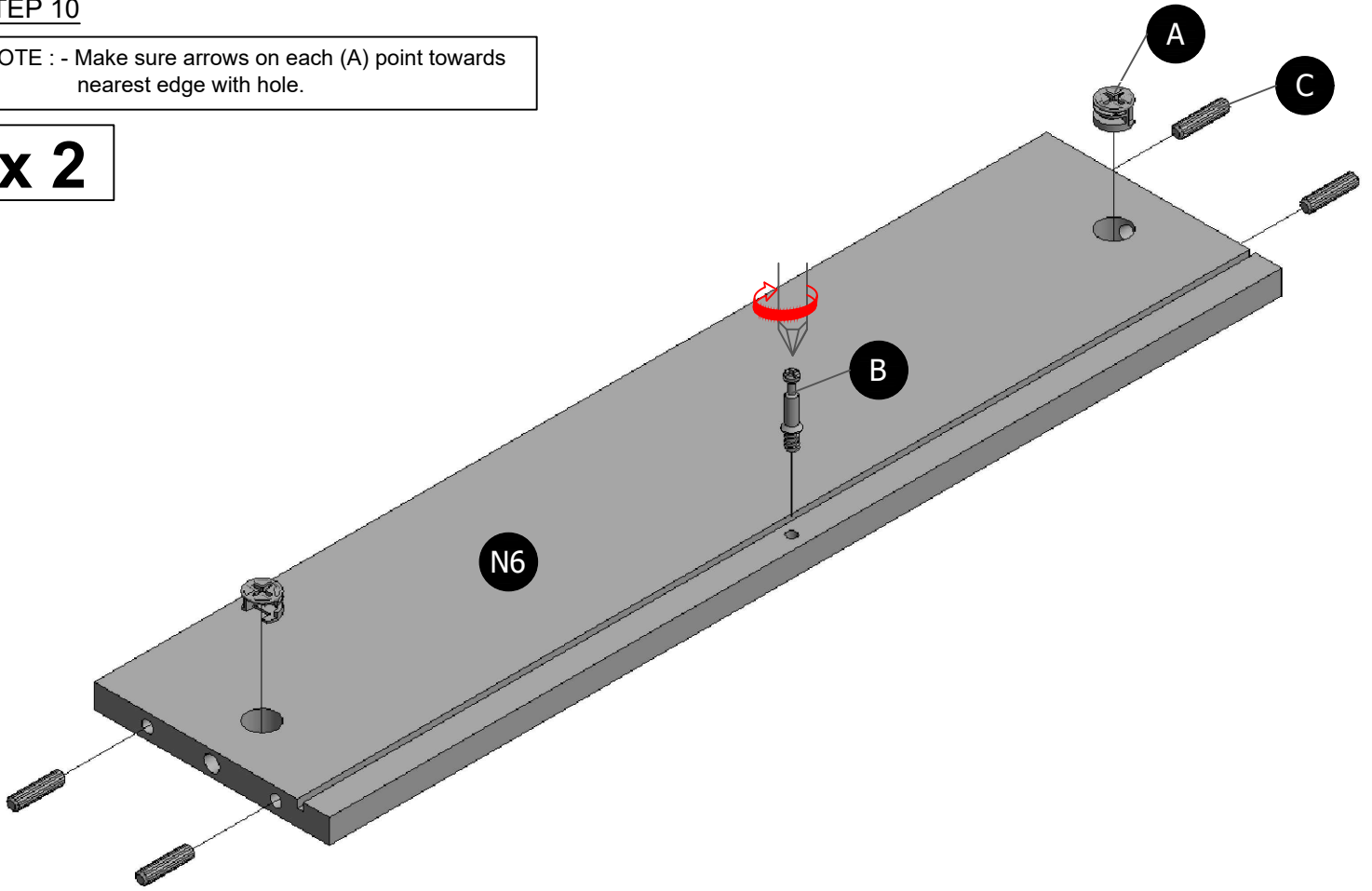


ASSEMBLY INSTRUCTION

STEP 10

NOTE : - Make sure arrows on each (A) point towards nearest edge with hole.

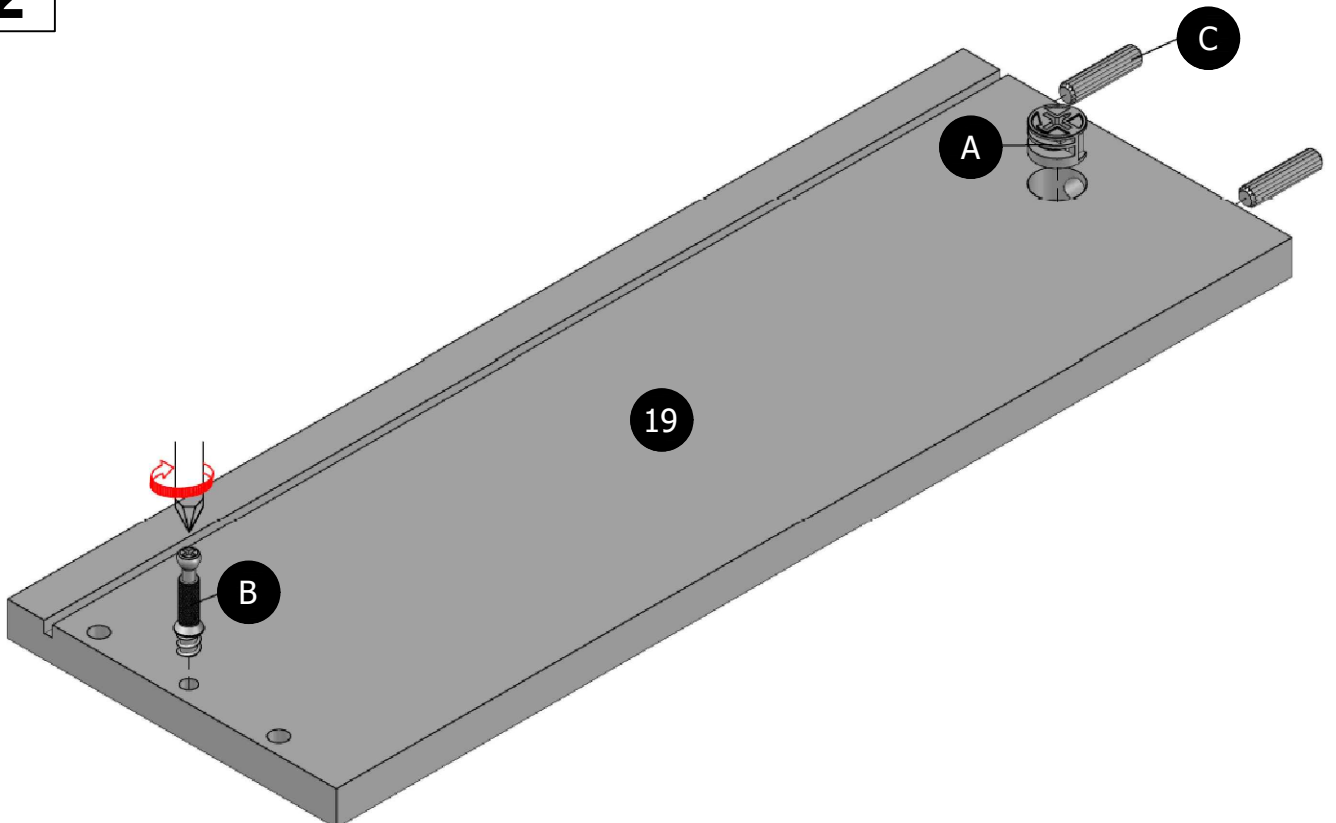
x 2



STEP 11

NOTE : - Make sure arrows on each (A) point towards nearest edge with hole.

x 2

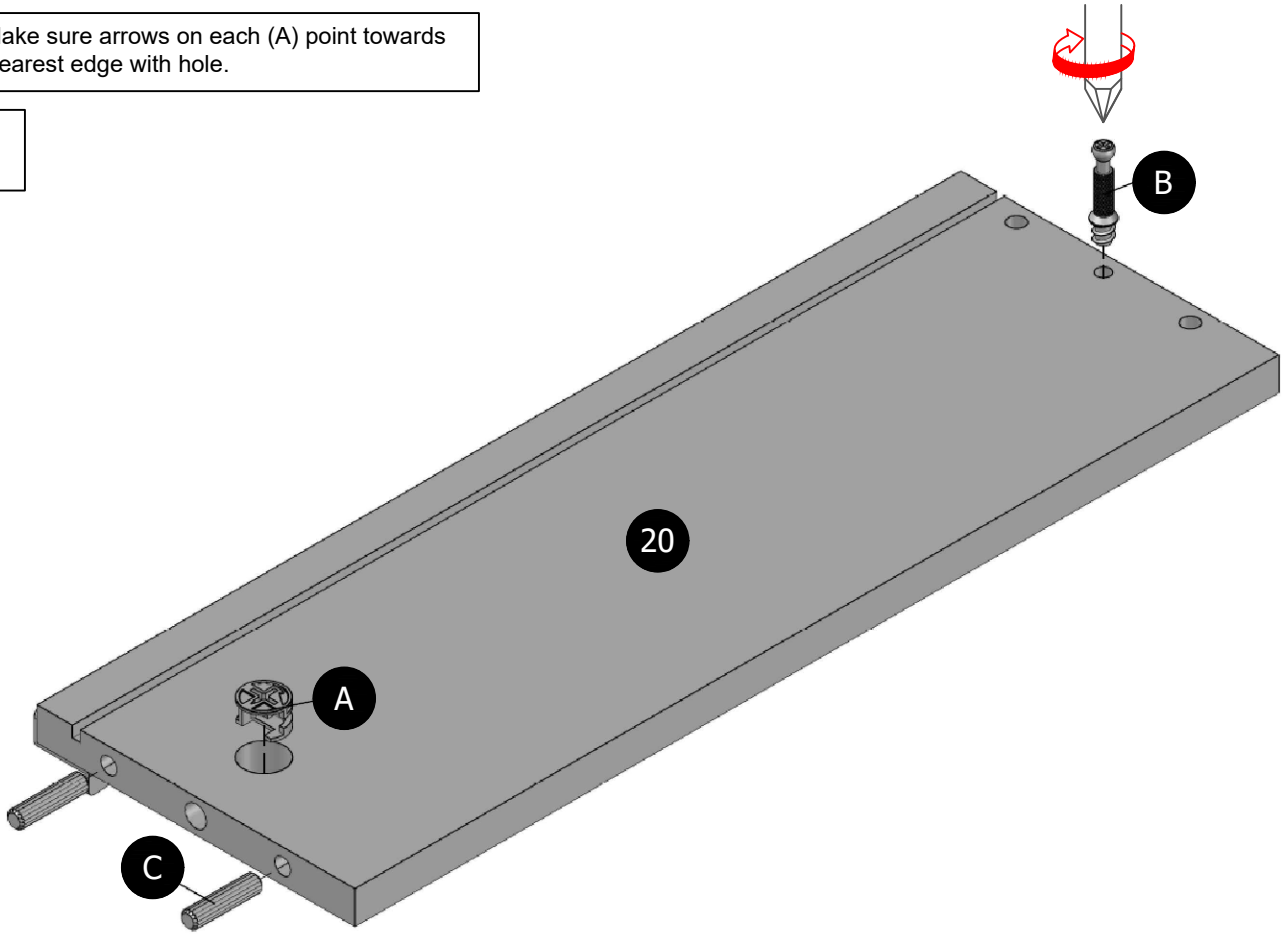


ASSEMBLY INSTRUCTION

STEP 12

NOTE : - Make sure arrows on each (A) point towards nearest edge with hole.

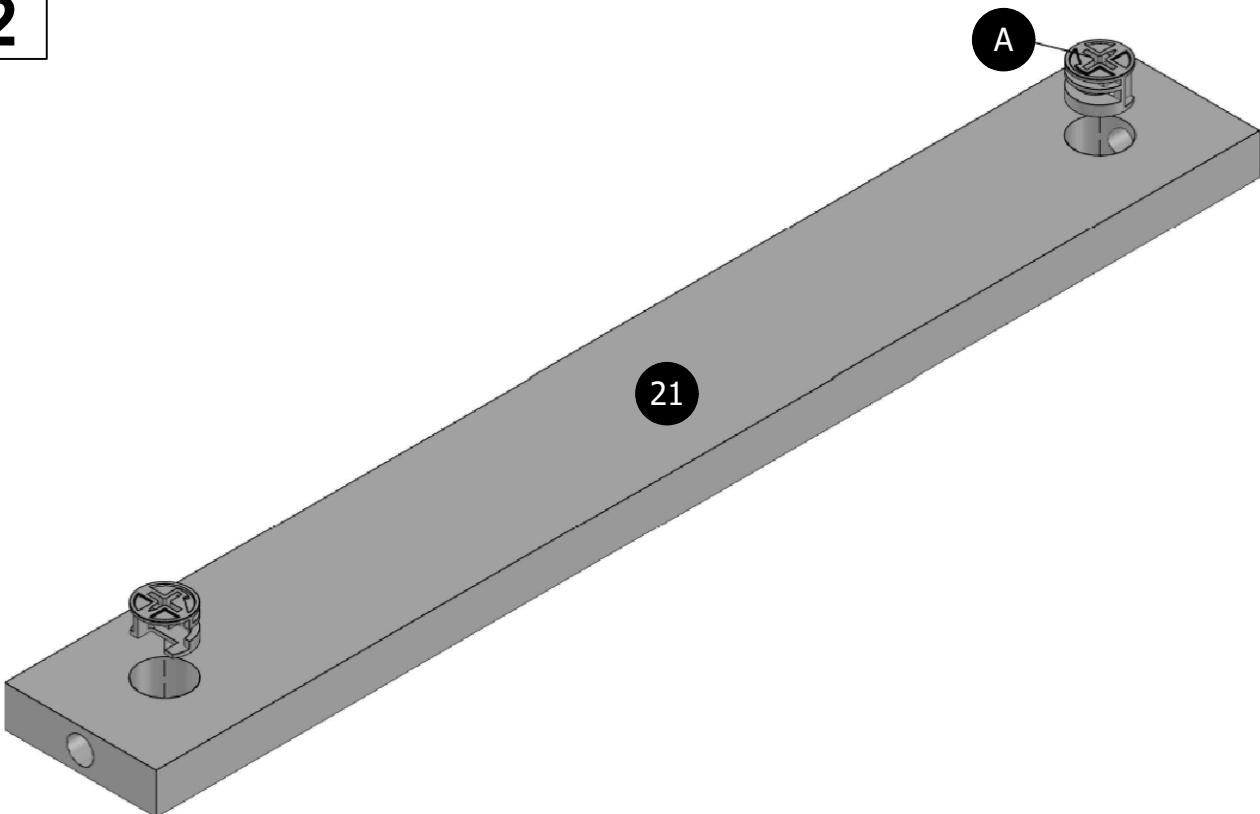
x 2



STEP 13

NOTE : - Make sure arrows on each (A) point towards nearest edge with hole.

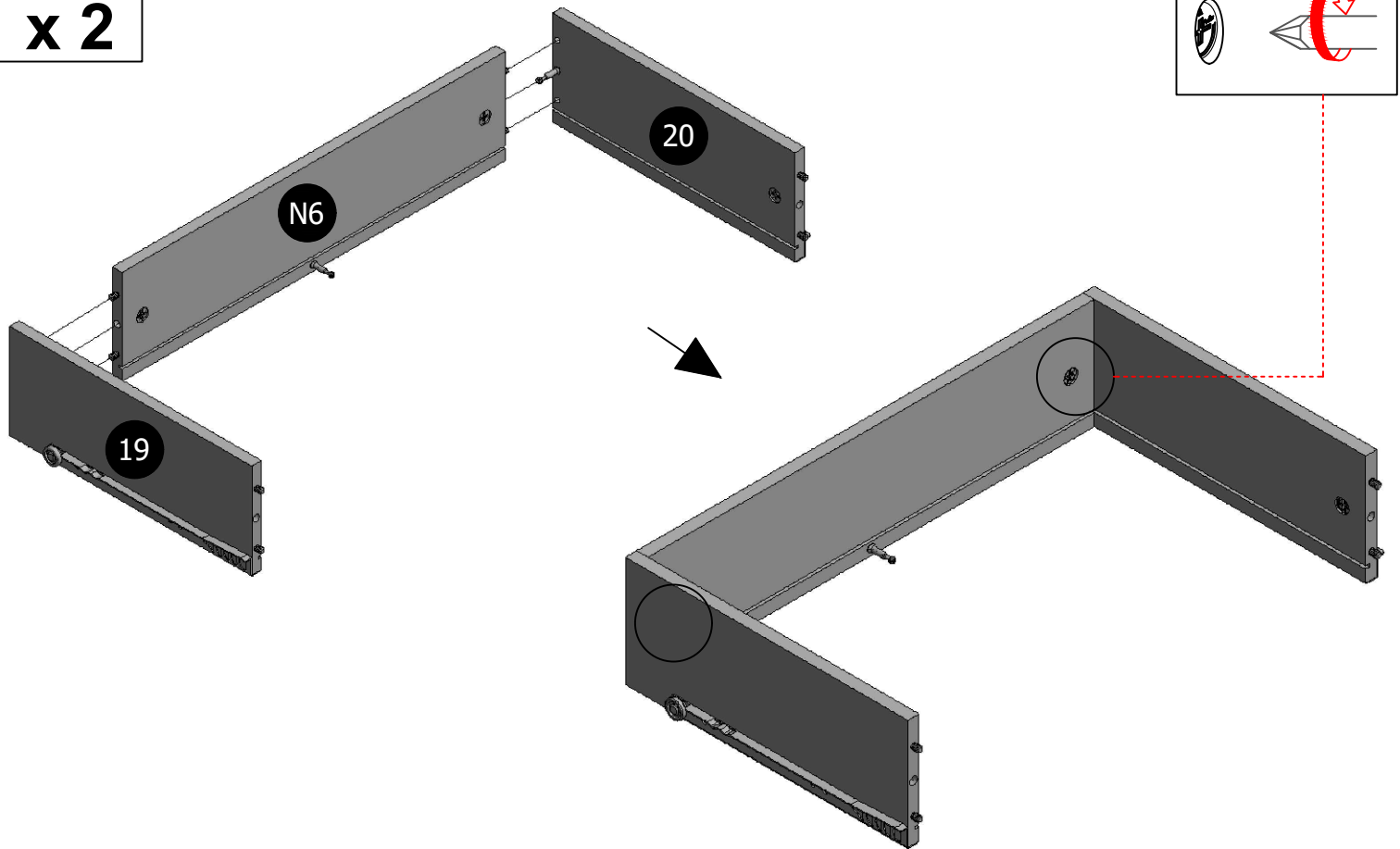
x 2



ASSEMBLY INSTRUCTION

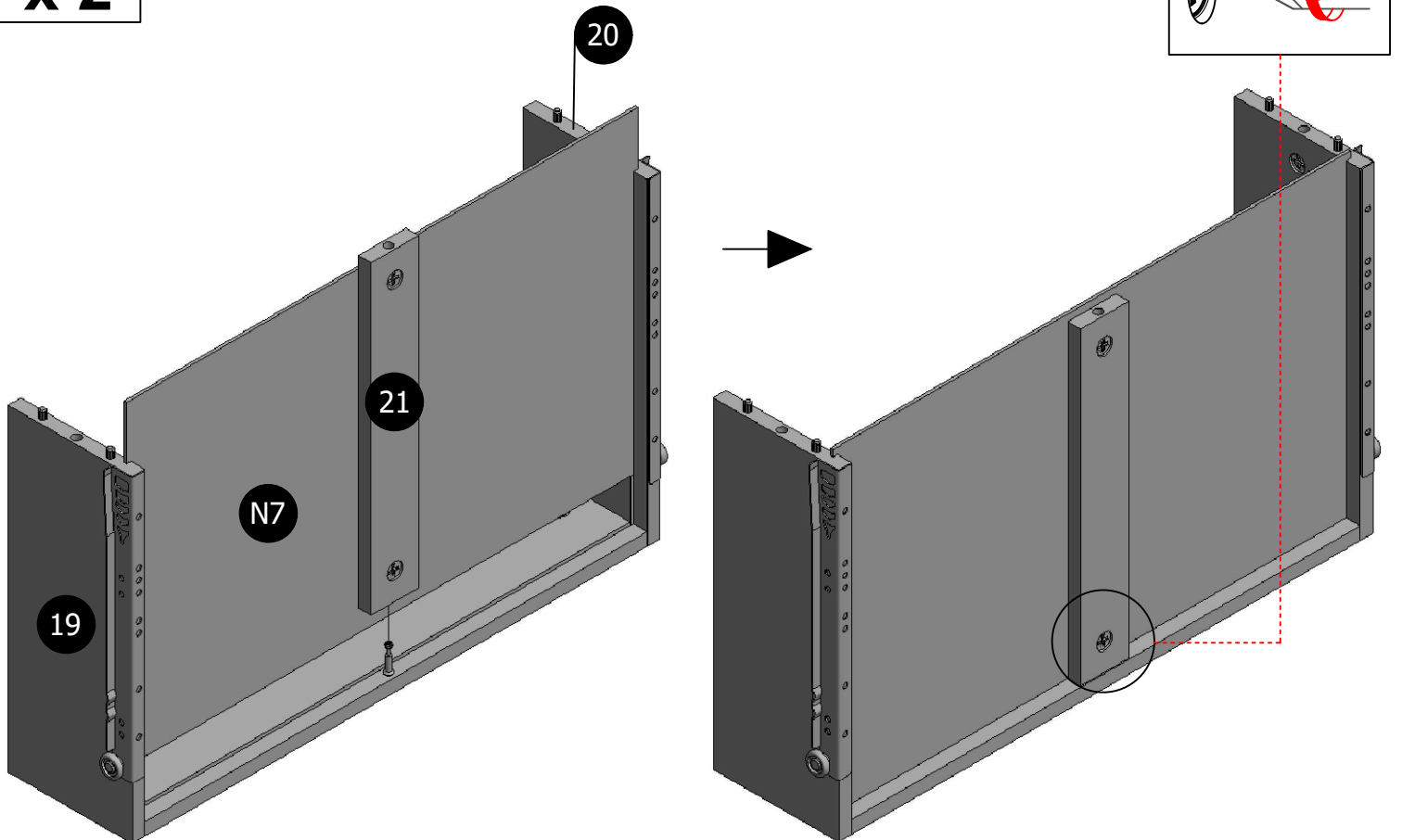
STEP 14

x 2



STEP 15

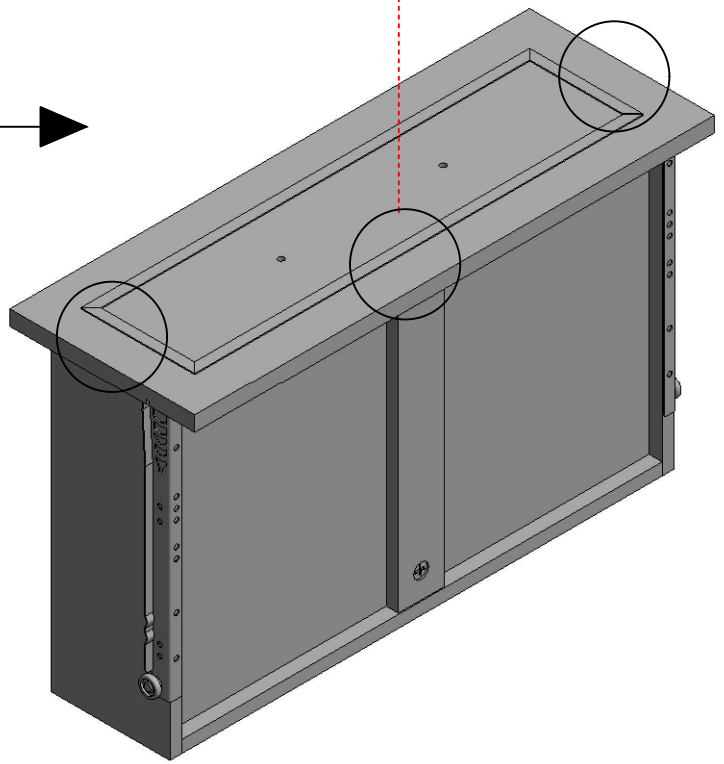
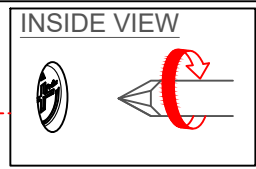
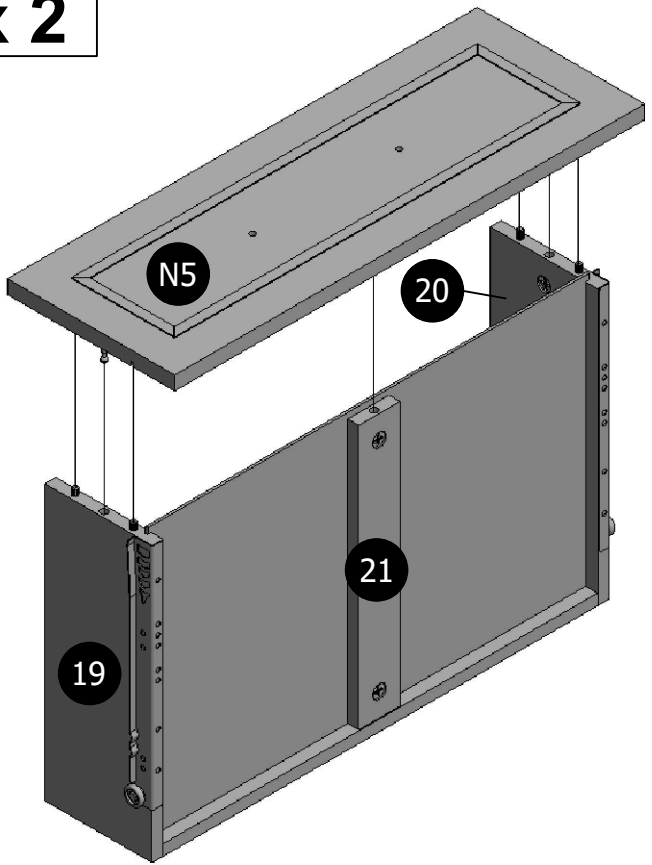
x 2



ASSEMBLY INSTRUCTION

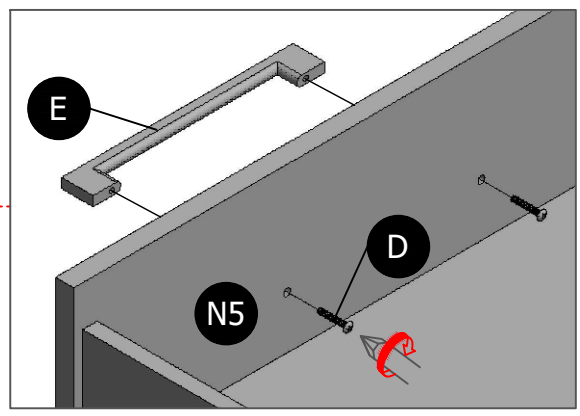
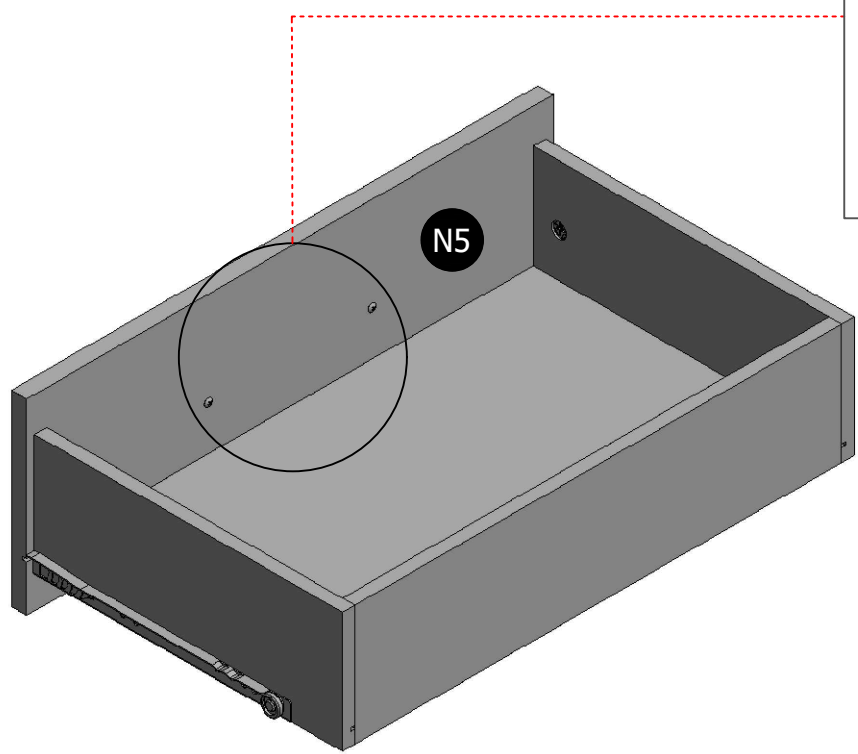
STEP 16

x 2



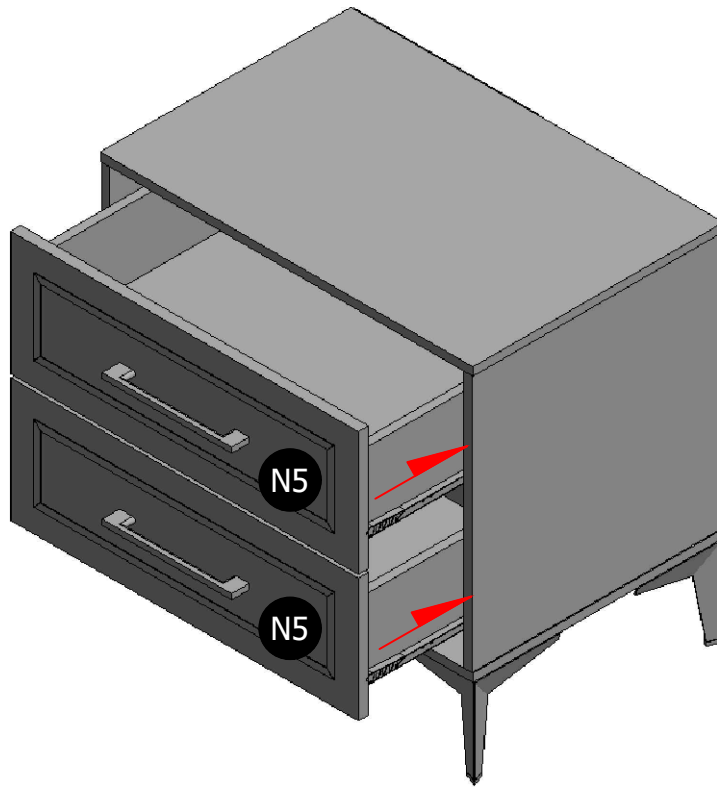
STEP 17

x 2



ASSEMBLY INSTRUCTION

STEP 18



STEP 19

Please tear off plastic cover on metal strip



ASSEMBLY COMPLETED