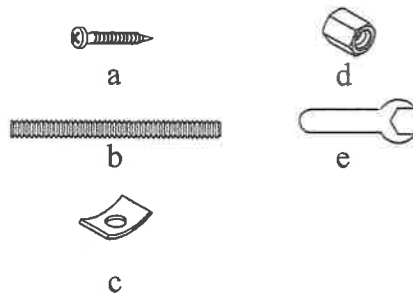


Assembly Instruction

A . Components :

- | | |
|-----------------|------|
| 1. Headboard | 1 x |
| 2. Footboard | 1 x |
| 3. Bed Rail | 2 x |
| 4. Slat | 12 x |
| 5. Center Rail | 1 x |
| 6. Slat Support | 4 x |



B . Hardware :

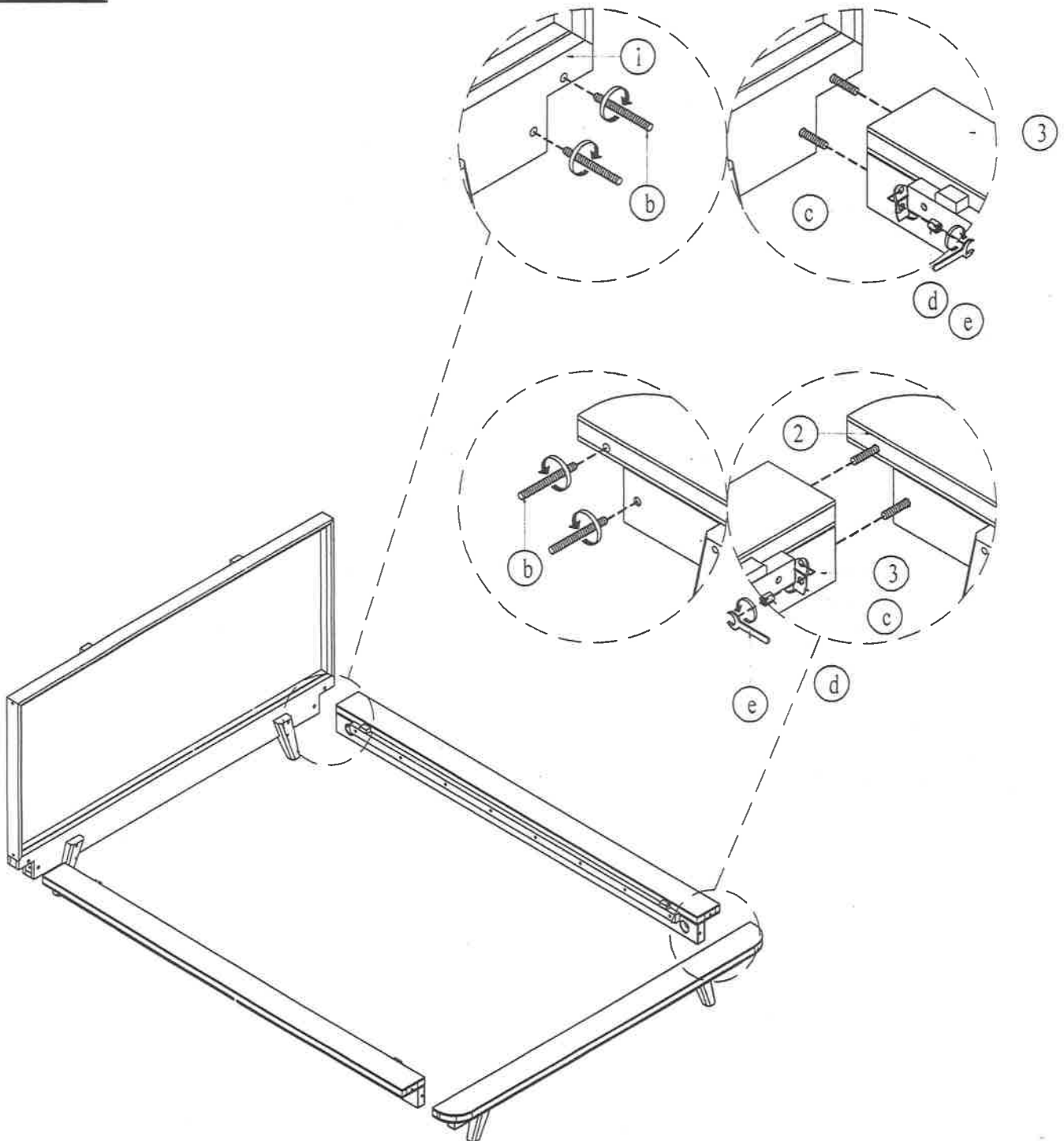
- | | |
|------------------|-----|
| a. Screw | 8 x |
| b. Stud Bolt | 8 x |
| c. Square Washer | 8 x |
| d. Hex Nut | 8 x |
| e. Wrench | 1 x |

C . Tool Required :

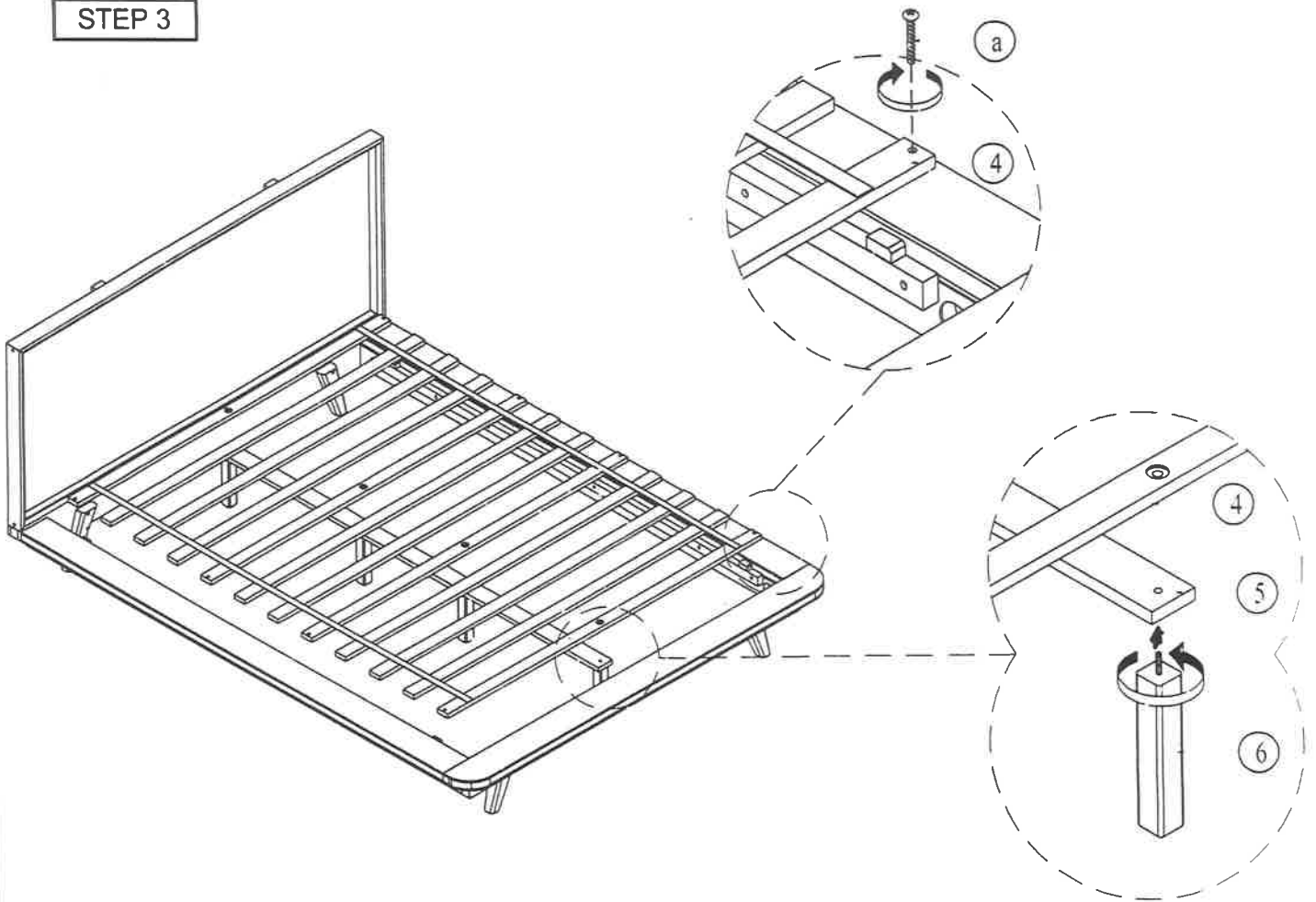
1. Screw Driver = (not included)



STEP 1



STEP 3



STEP 4

