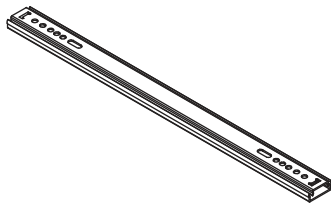
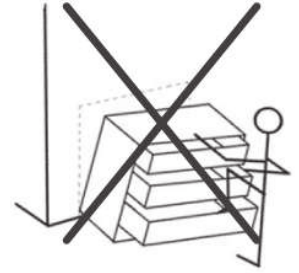
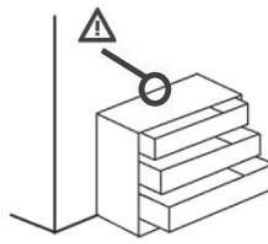
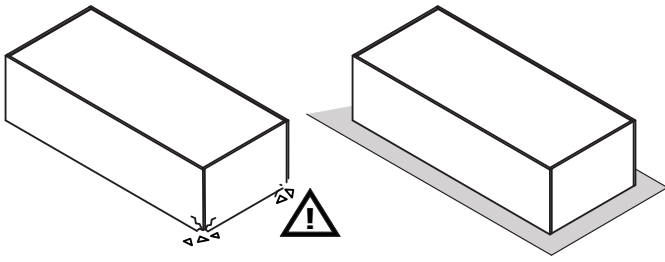
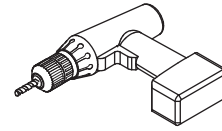
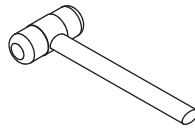
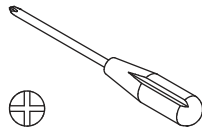
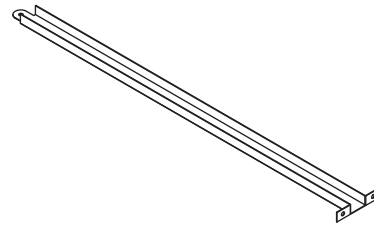


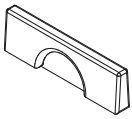
1,5h



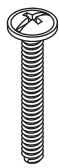
A34
x10



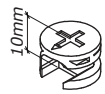
W398
x5



M175
x5



V35
x10



T98
x10



G136
x10



V98
x15



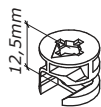
V5
x26



H54
x20



V38
x10



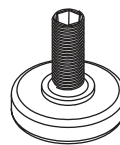
T7
x6



H113
x10



T28
x16



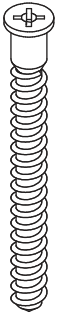
P25
x4



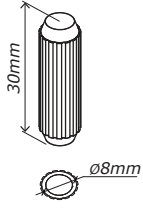
H118
x4



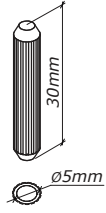
H2
x6



V115
x4



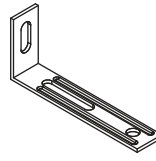
H1
x10



H81
x4



V50
x2



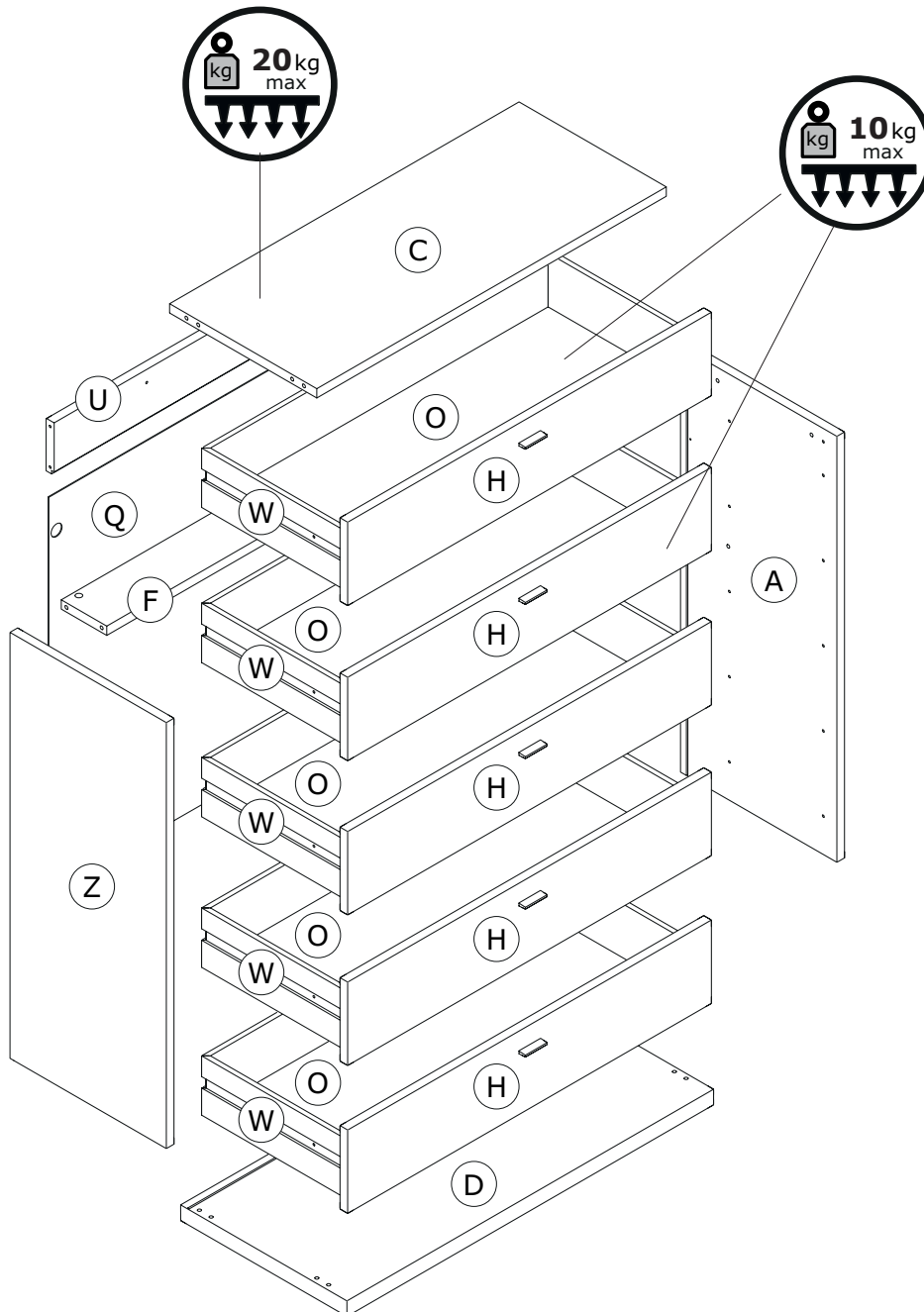
H185
x2

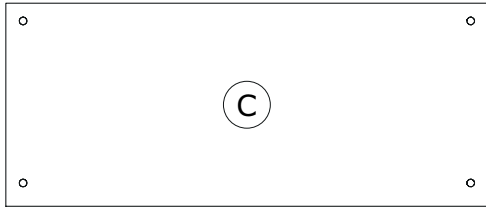


H129
x4

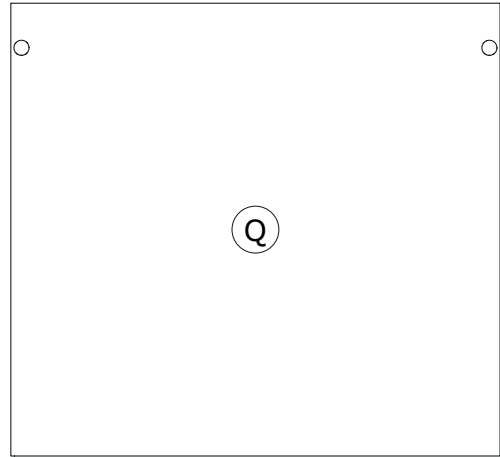


V81
x4

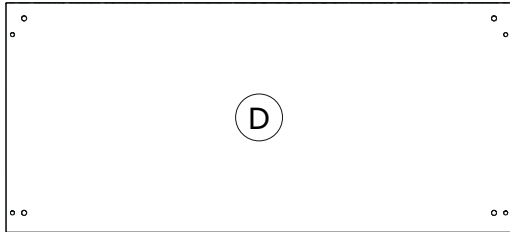




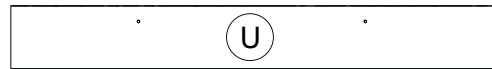
CA3495
952x401x22mm



SS0716
894x966x2mm



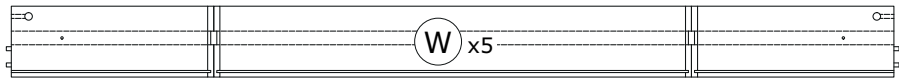
BA2136
1000x453x38mm



FS3359
952x124x22mm

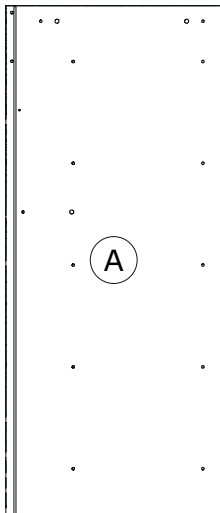


FS3361
952x124x22mm

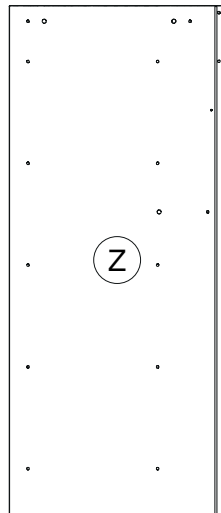


OF0522
400x944x400mm H140mm

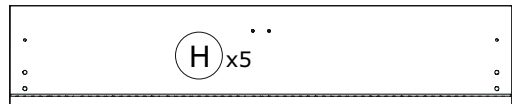
BOX 1/2



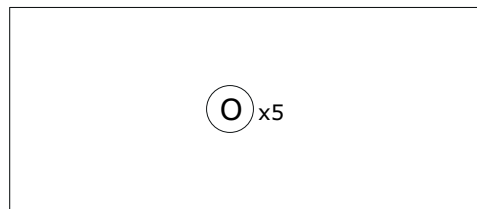
FI8487
1005x426x22mm



FI8488
1005x426x22mm



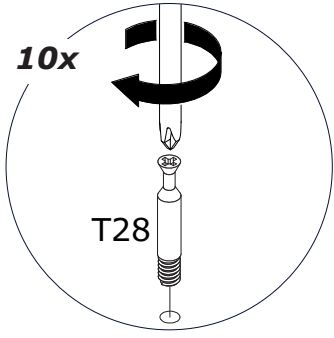
CS3235
992x198x22mm



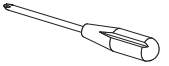
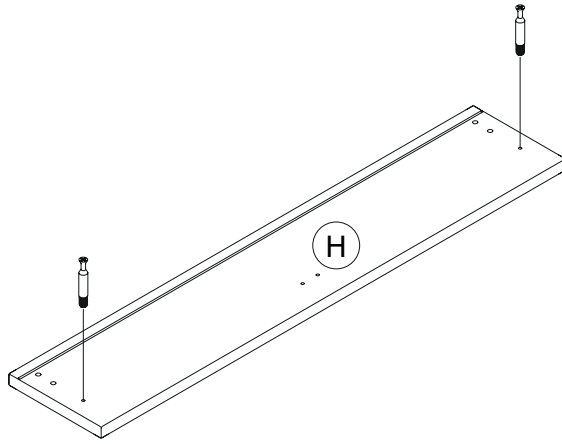
SH3265
931x401x2mm

BOX 2/2

1

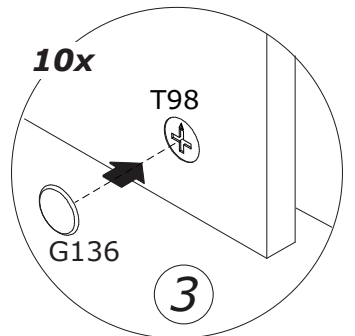
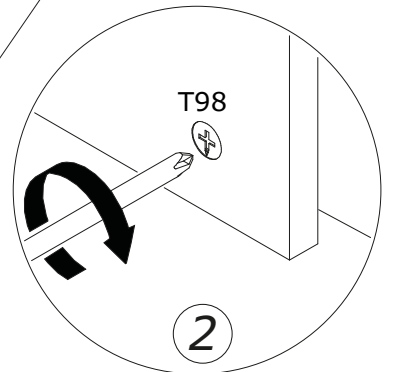
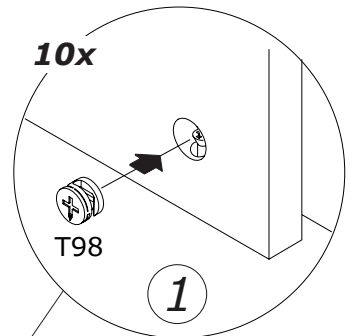
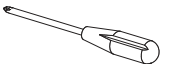
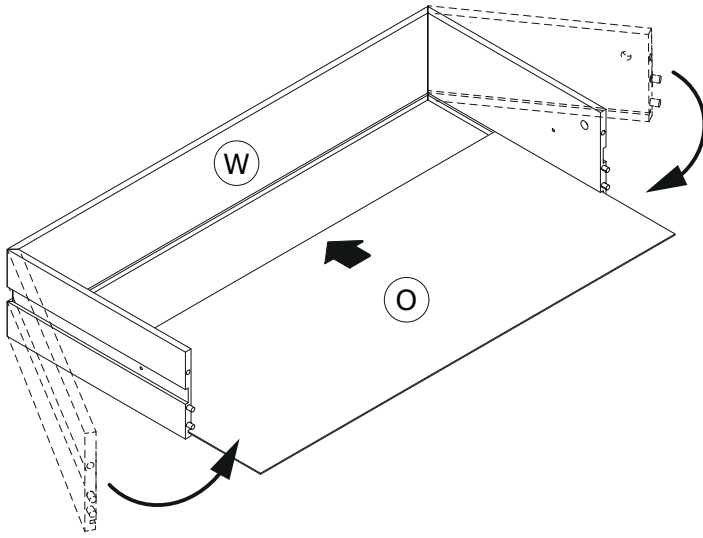


5x

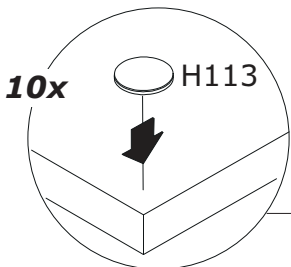
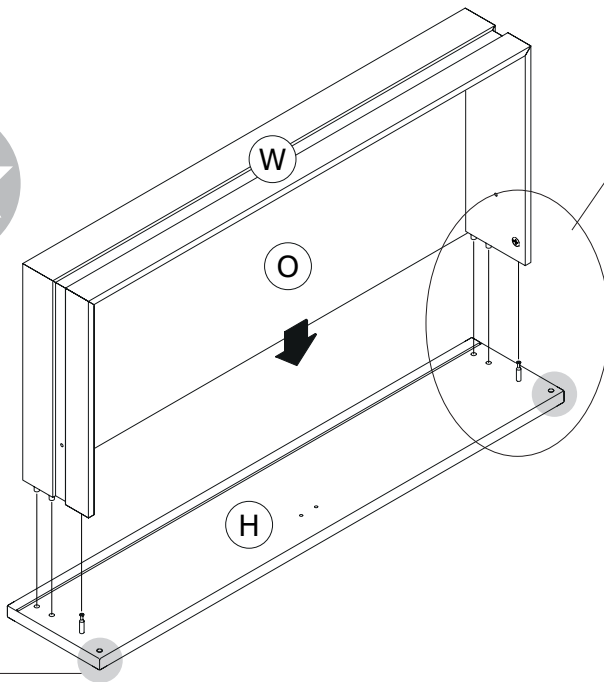


2

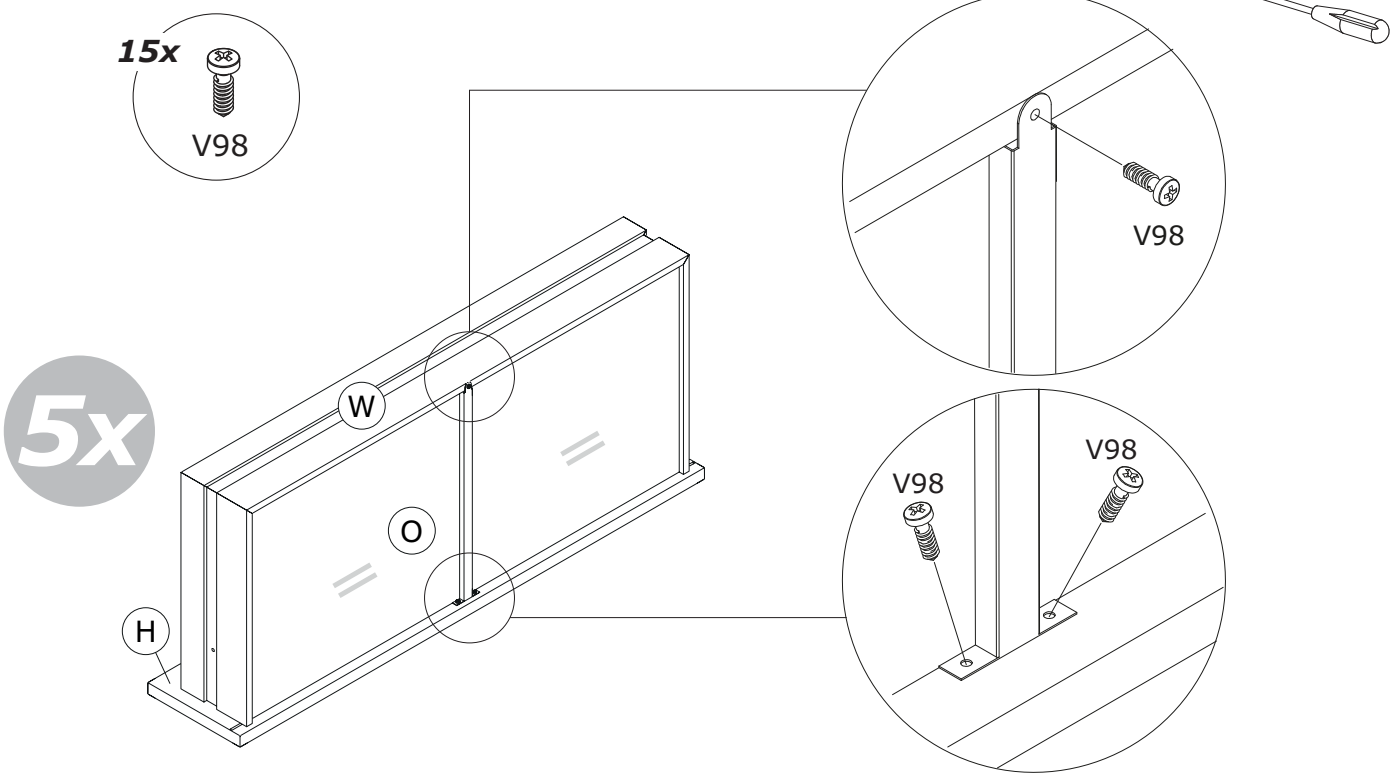
5x



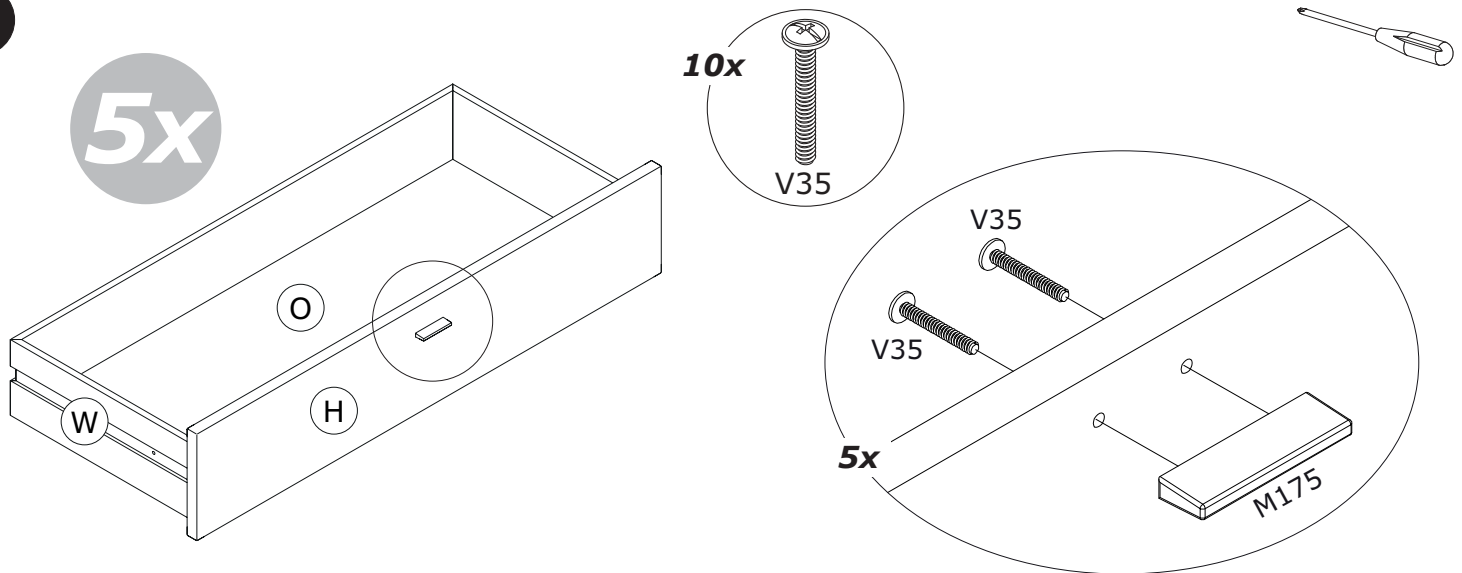
5x



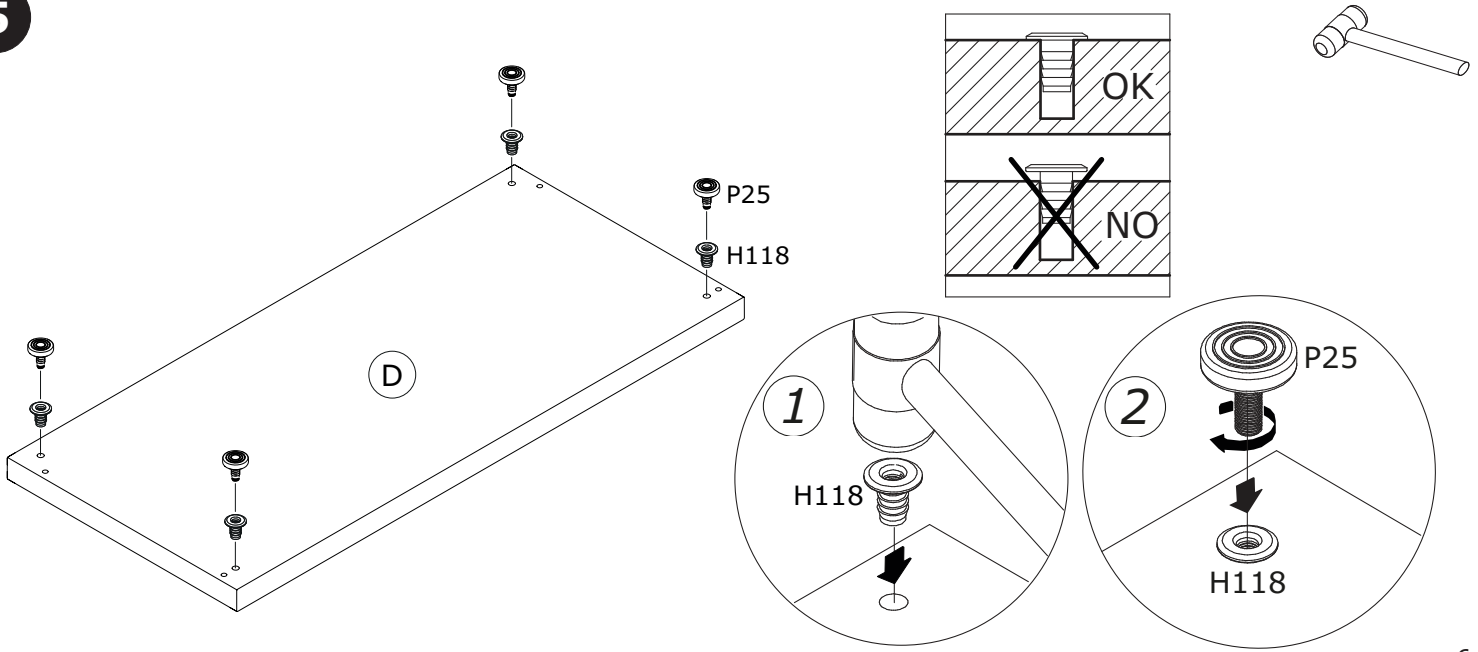
3



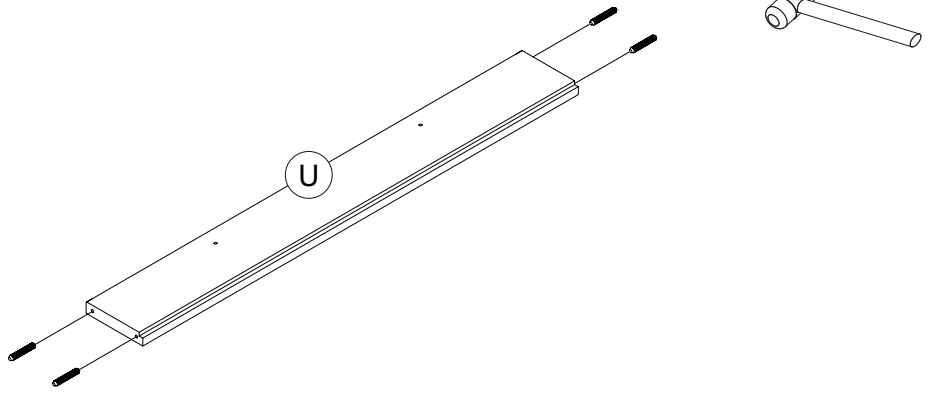
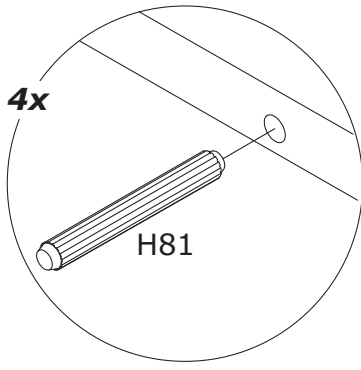
4



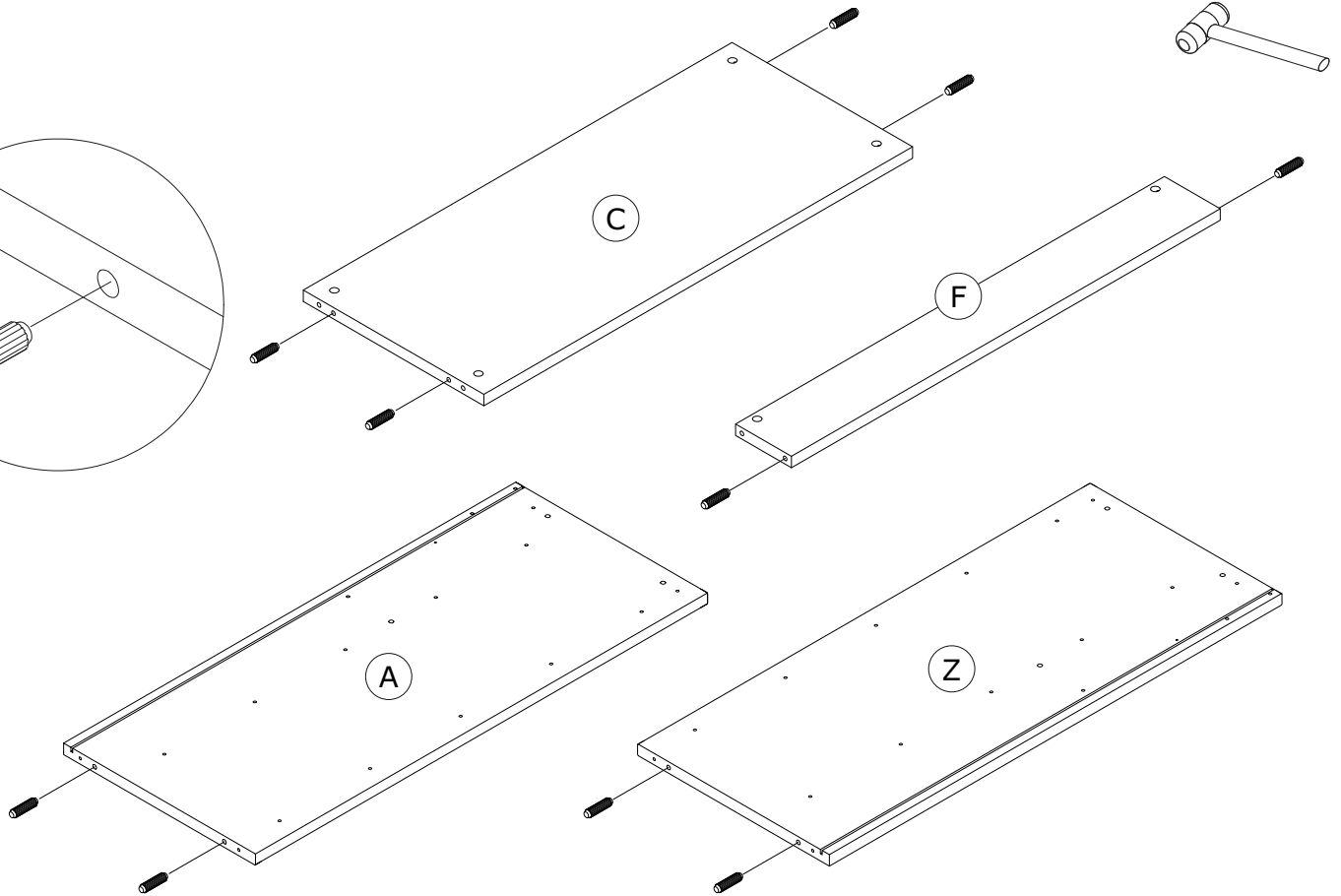
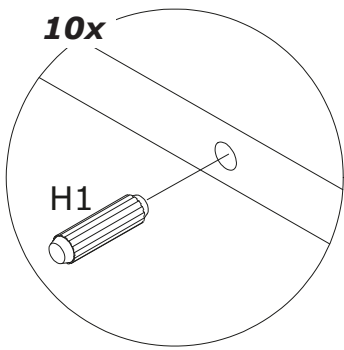
5



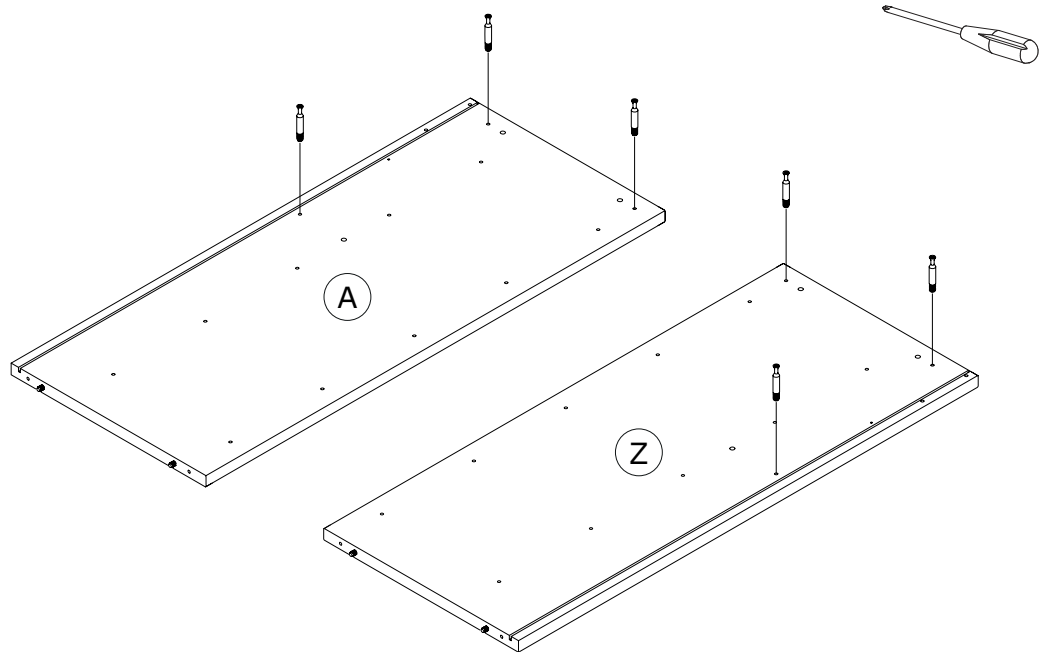
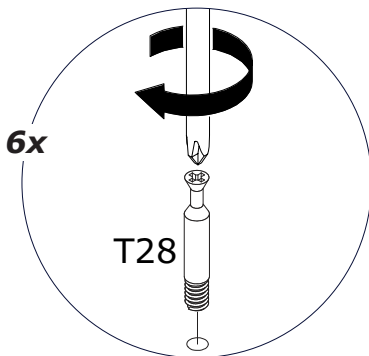
6



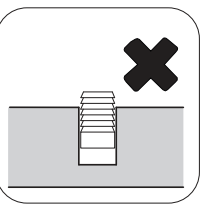
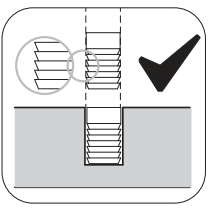
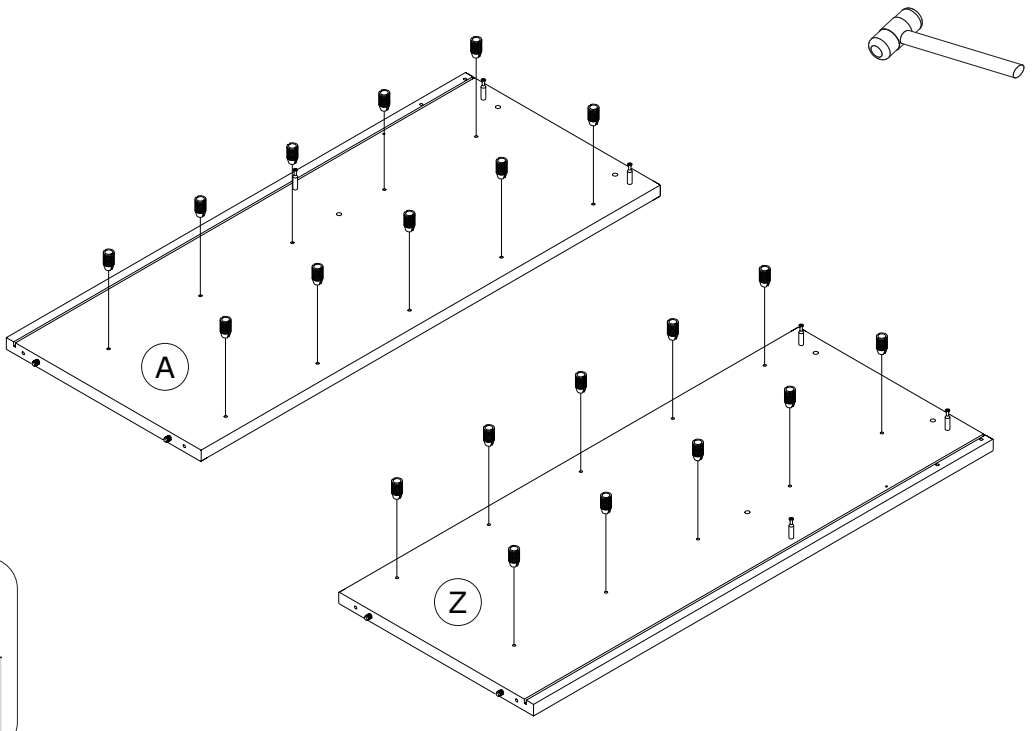
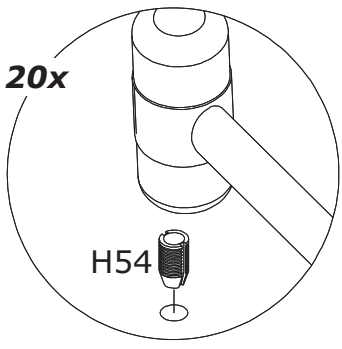
7



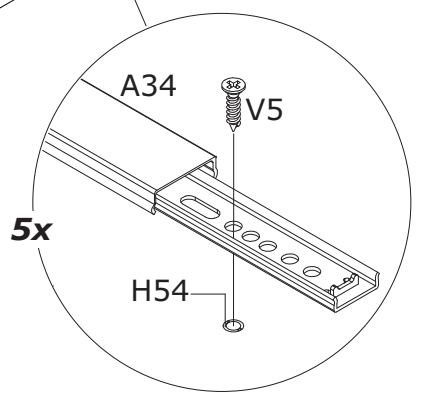
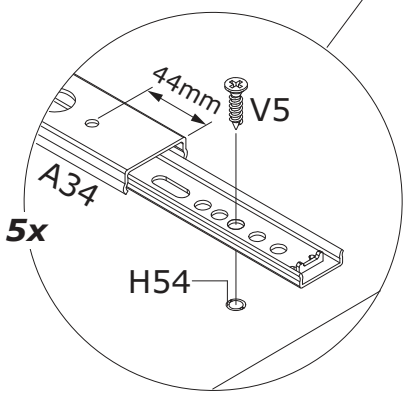
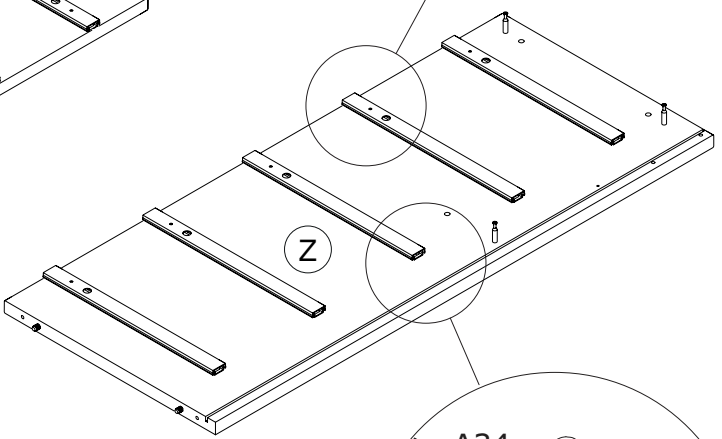
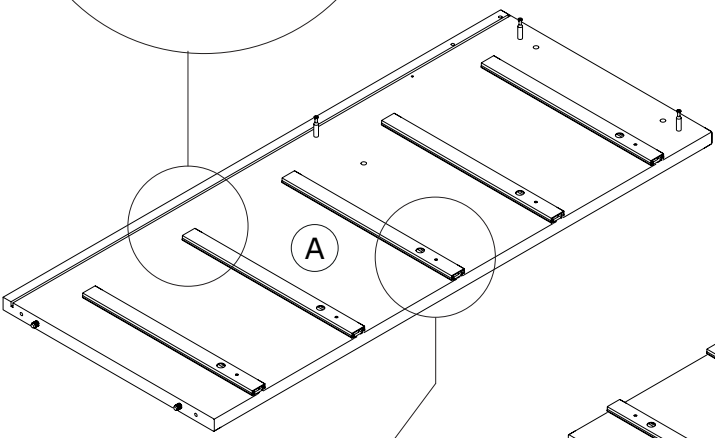
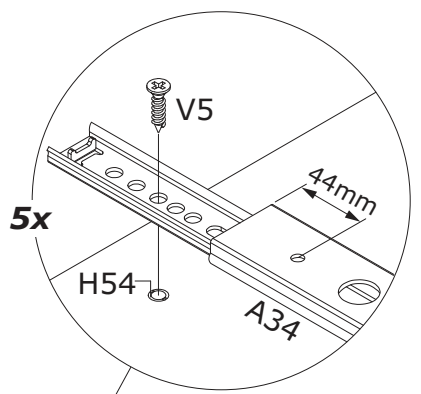
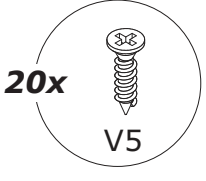
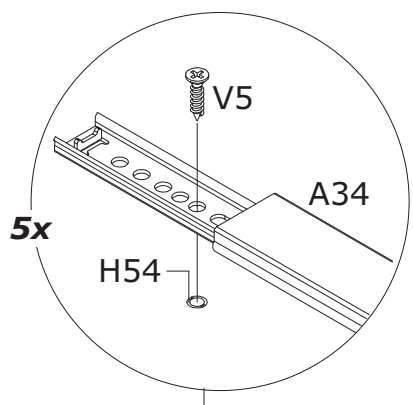
8



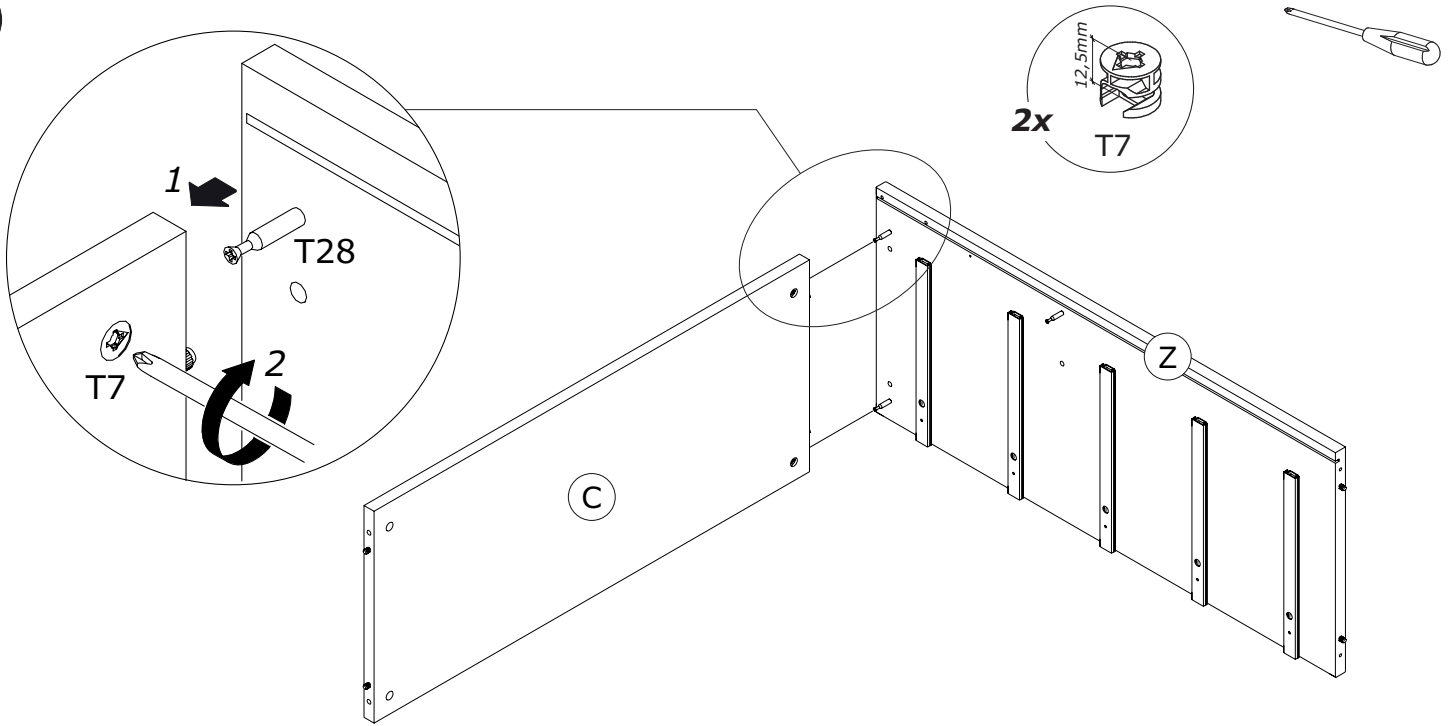
9



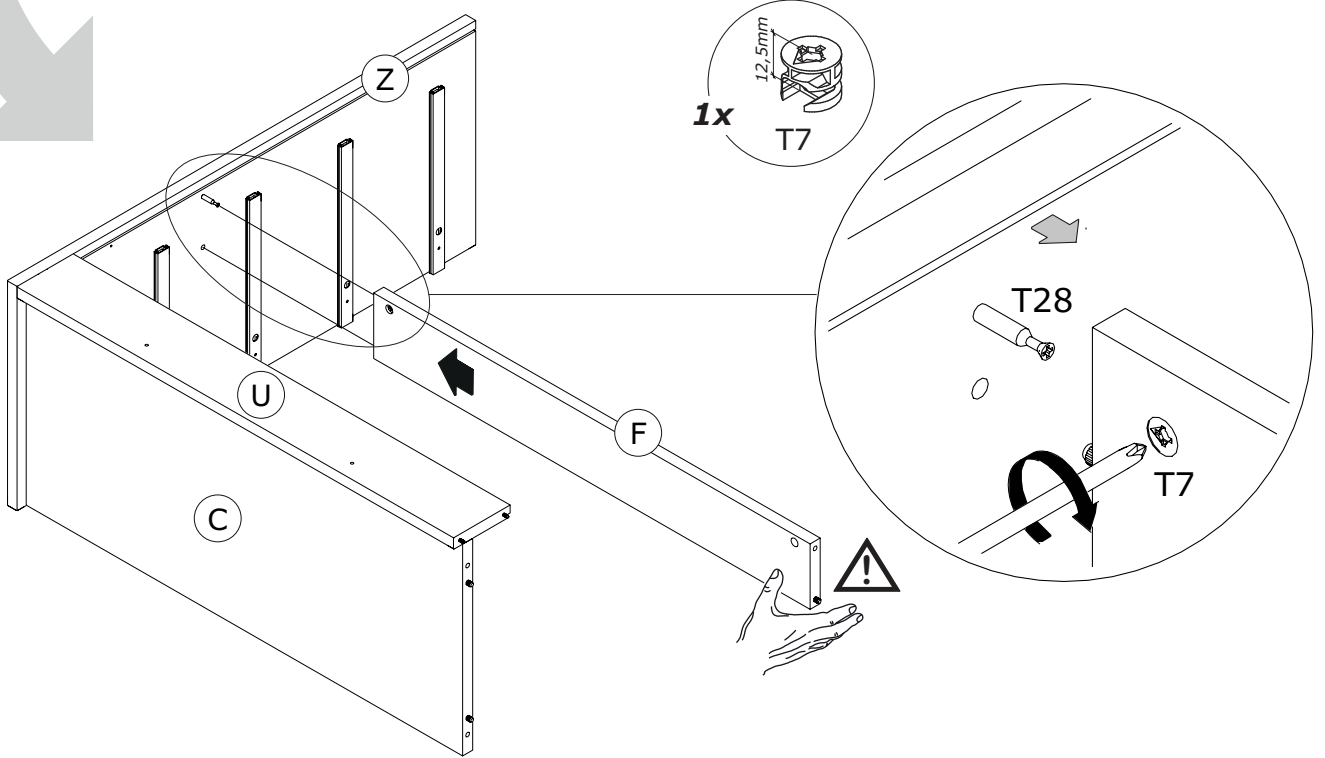
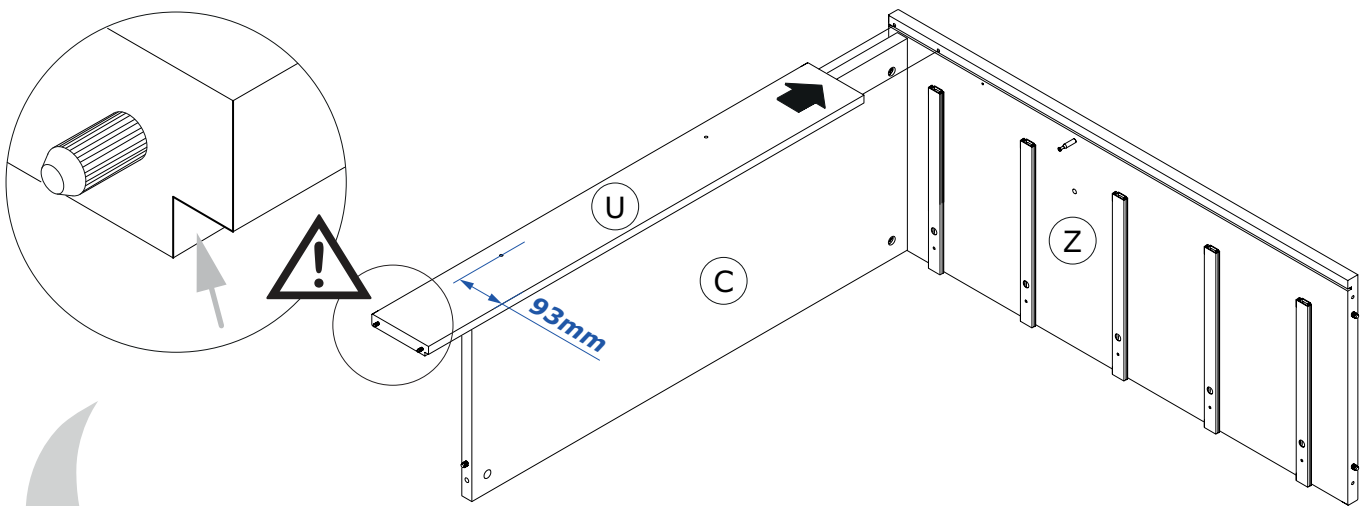
10



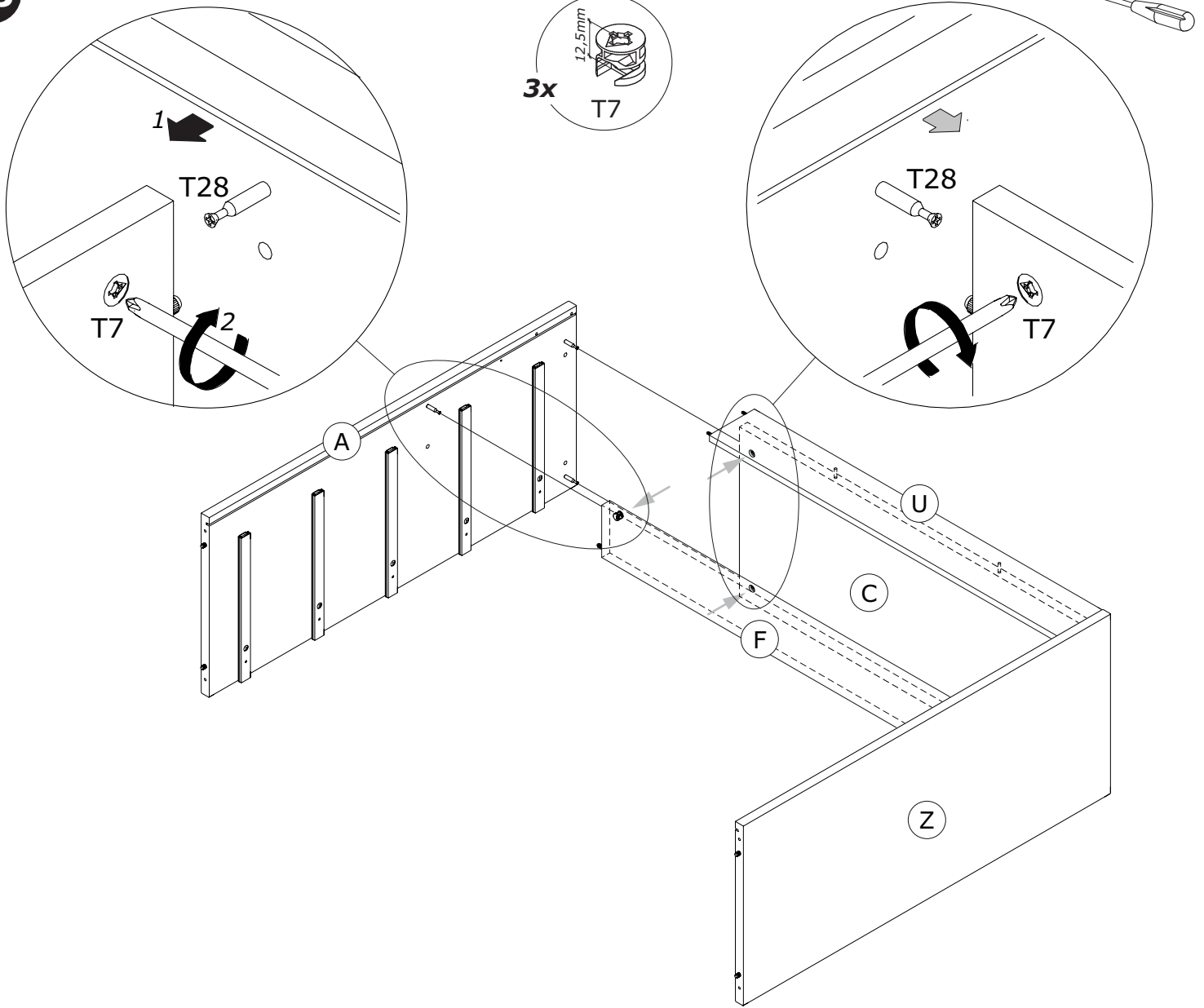
11



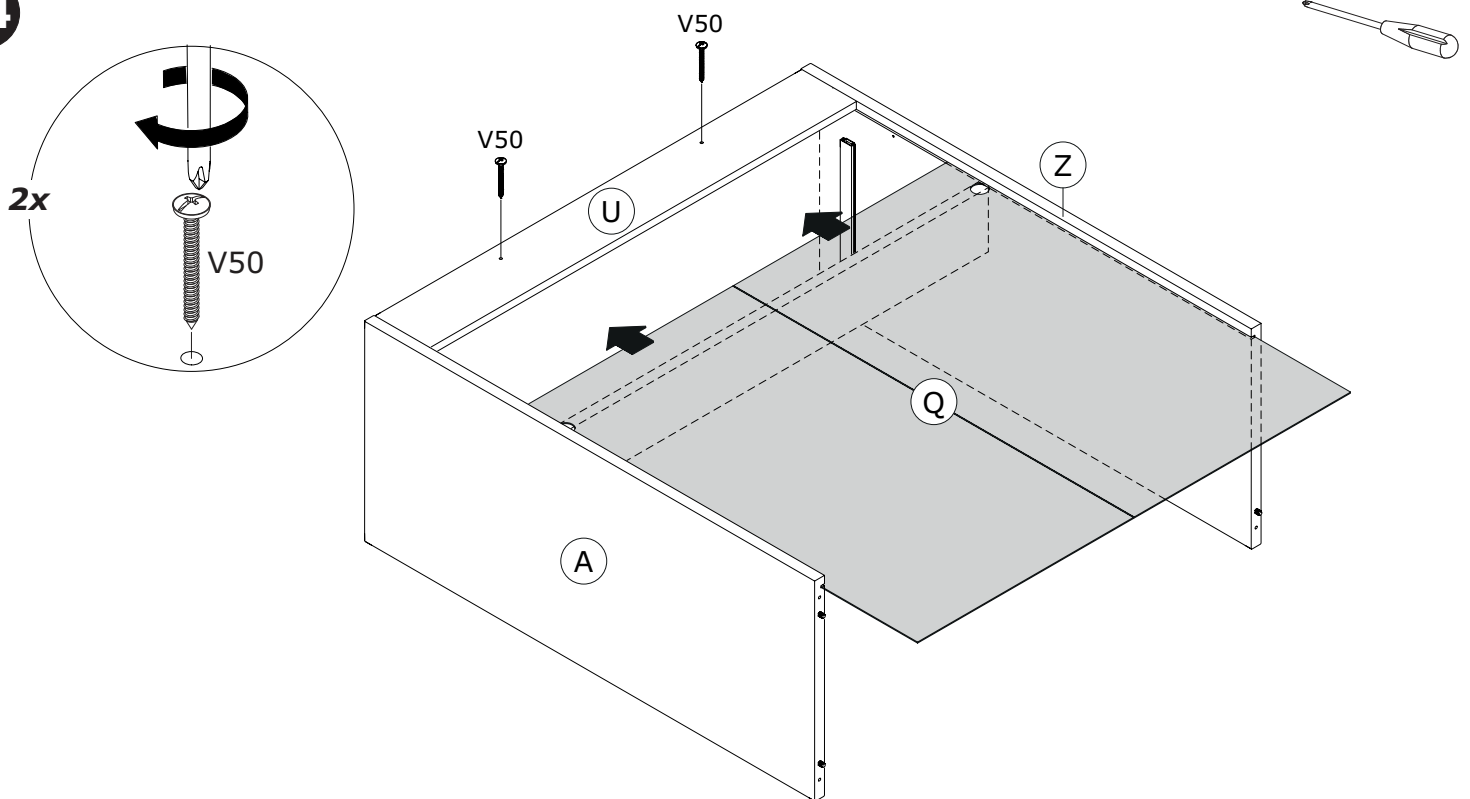
12

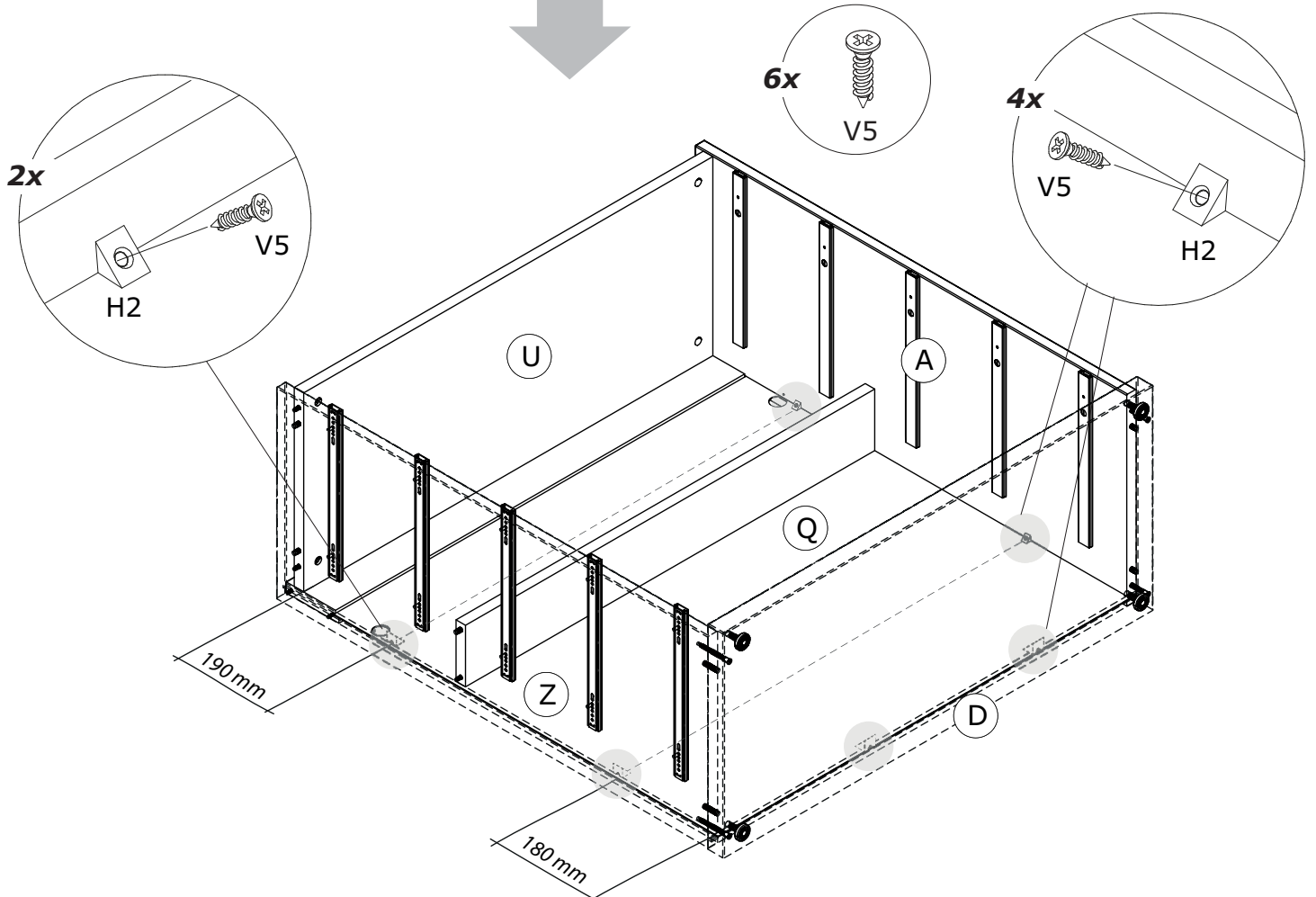
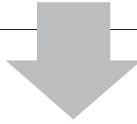
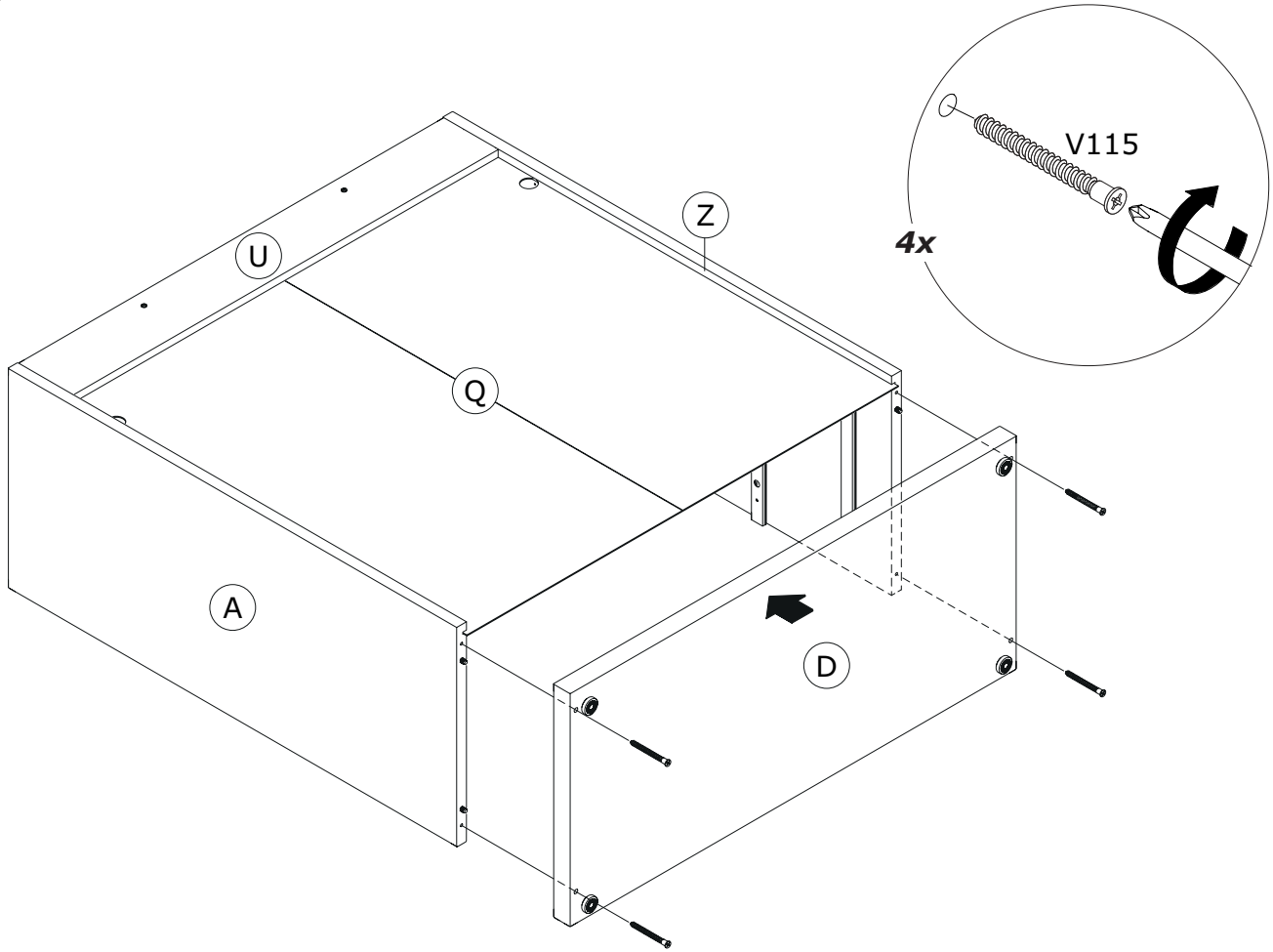
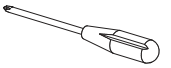


13

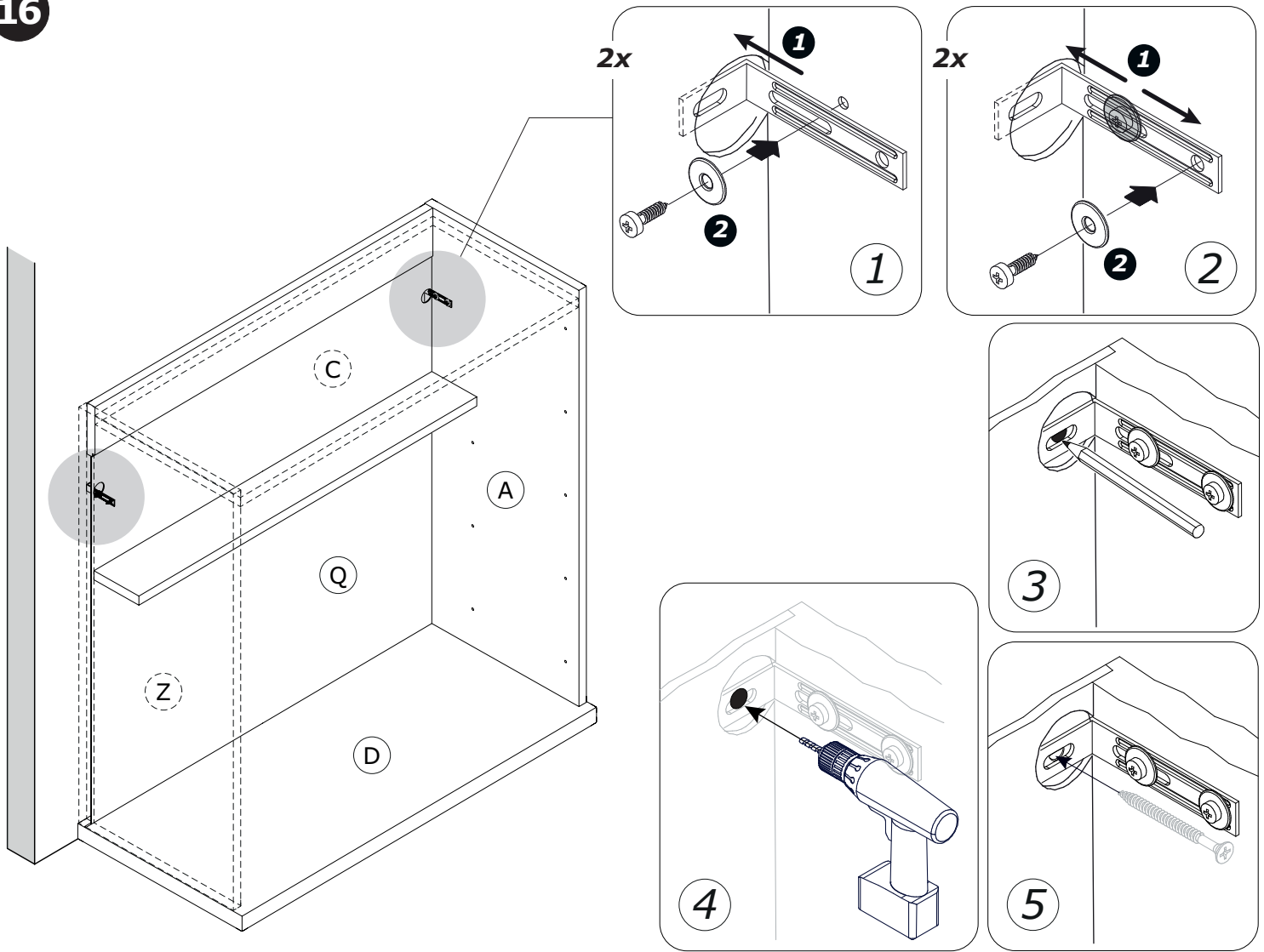


14





16



17

