

KITCHEN RACK INSTALLATION GUIDE

After-sale Service



24-Hour Customer Support

Visit our customer support center

Contact us via Amazon Message, instant chat, and email during business hours.



Free Replacement Parts

Please contact us if any parts are damaged or missing. Parts provided free.(Shipping fees may apply)



1-on-1 Responsive Customer Service

No need to repeat your case every time you contact us.

We will have a dedicated, professional team to work on your problem until it is resolved.



Parts Customization

No need to worry about unexpected challenges. Share your requirements, and we'll customize parts to meet your specific needs.



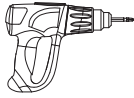
Return Policy

Feel free to return within 30 days. Please ensure all items (particularly the hardware pack) are in the box before returning.

HELPFUL TOOLS



Electric Drill



Electric Screwdriver



Hammer



Phillips Screwdriver



Safety Goggles



Gradienter



Adjustable Wrench



Pencil



Wrench

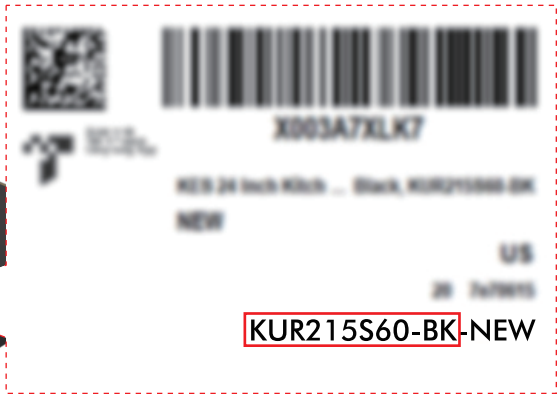


Tapeline

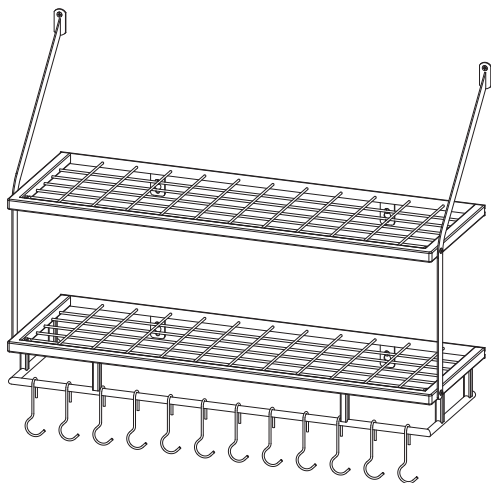


Stud Finder

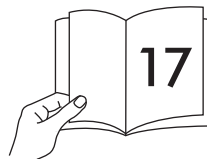
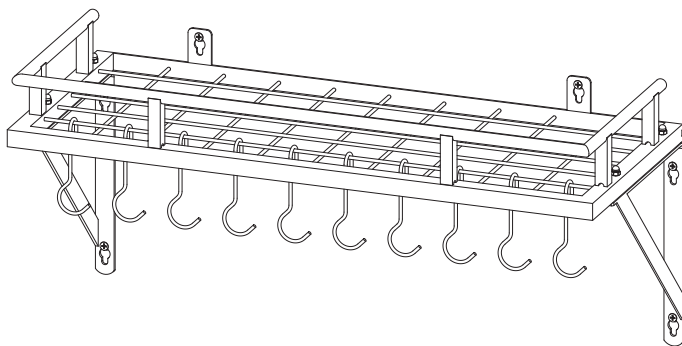
Check model on package label



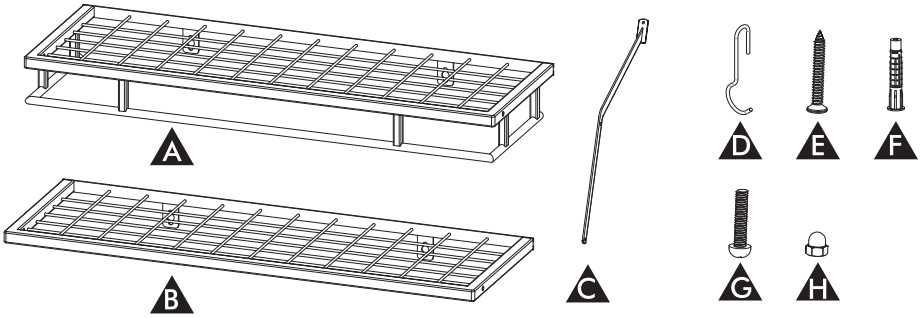
A



B



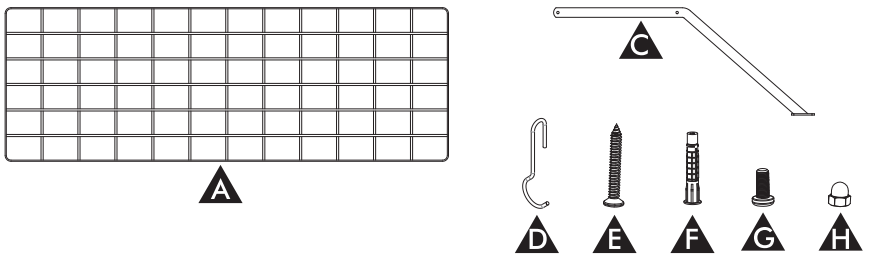
PRODUCT COMPONENTS



Parts List

- | | | |
|------------------------------|----------------------------|-------------------|
| A. Shelf with Guardrail (x1) | D. S Hook (x12) | G. Screw (x4) |
| B. Shelf (x1) | E. Self-tapping Screw (x6) | H. Screw Cap (x4) |
| C. Bracket (x2) | F. Wall Anchor (x6) | |

PRODUCT COMPONENTS

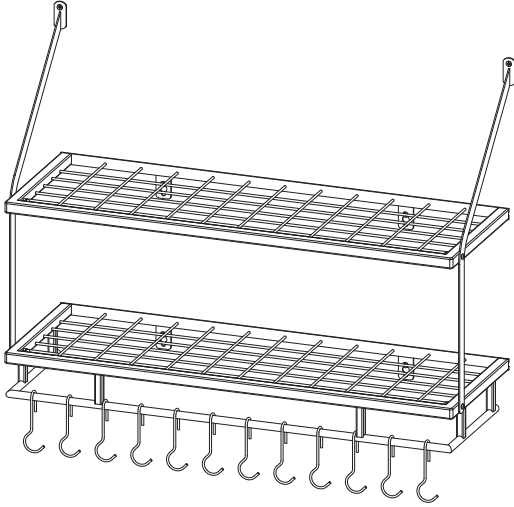


Parts List

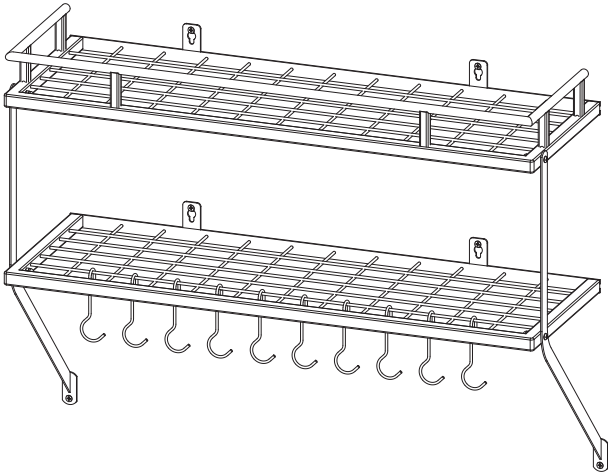
- | | | |
|-----------------|----------------------------|-------------------|
| A. Shelf (x2) | E. Self-tapping Screw (x6) | G. Screw (x4) |
| C. Bracket (x2) | F. Wall Anchor (x6) | H. Screw Cap (x4) |
| D. S Hook (x12) | | |

Notice: The following steps demonstrate the installation using application one.

Application One



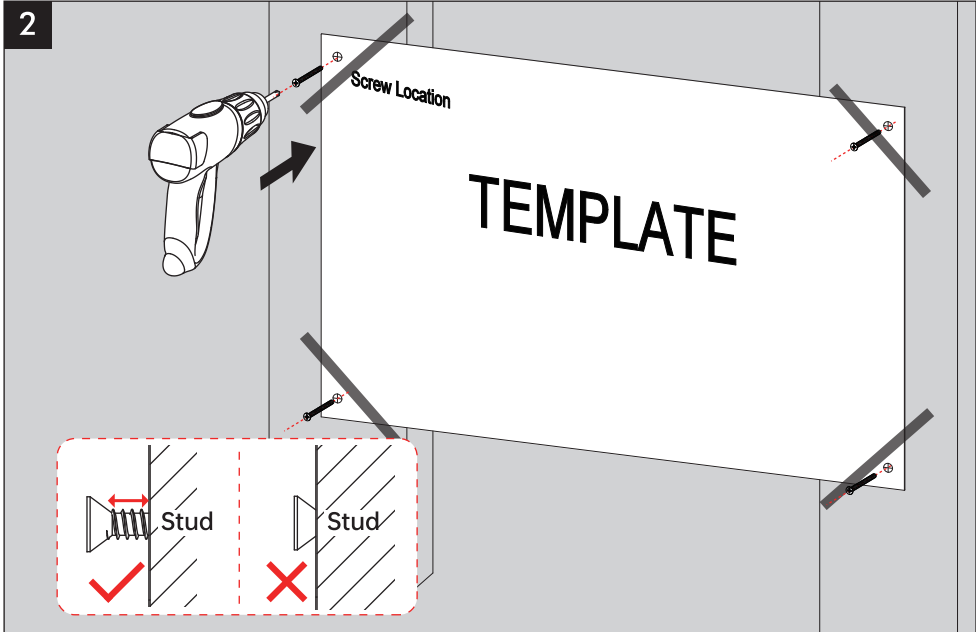
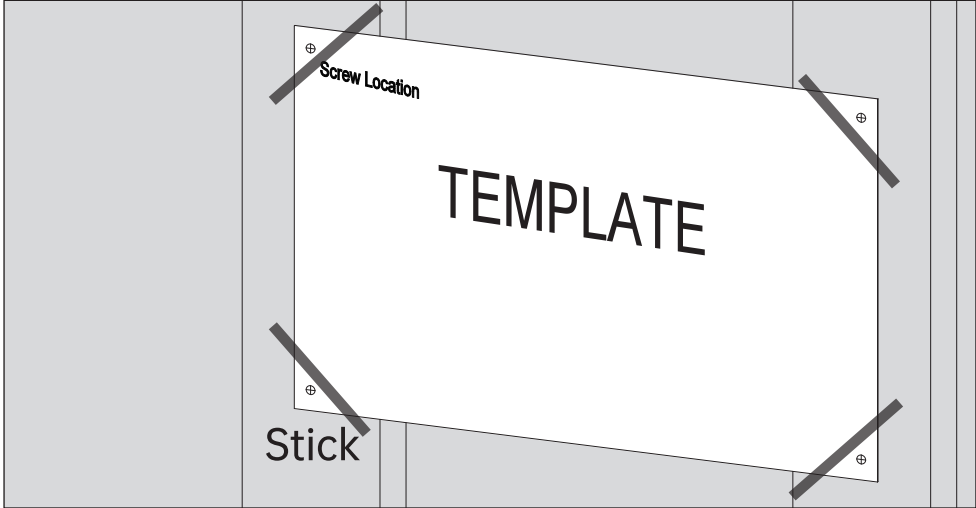
Application Two



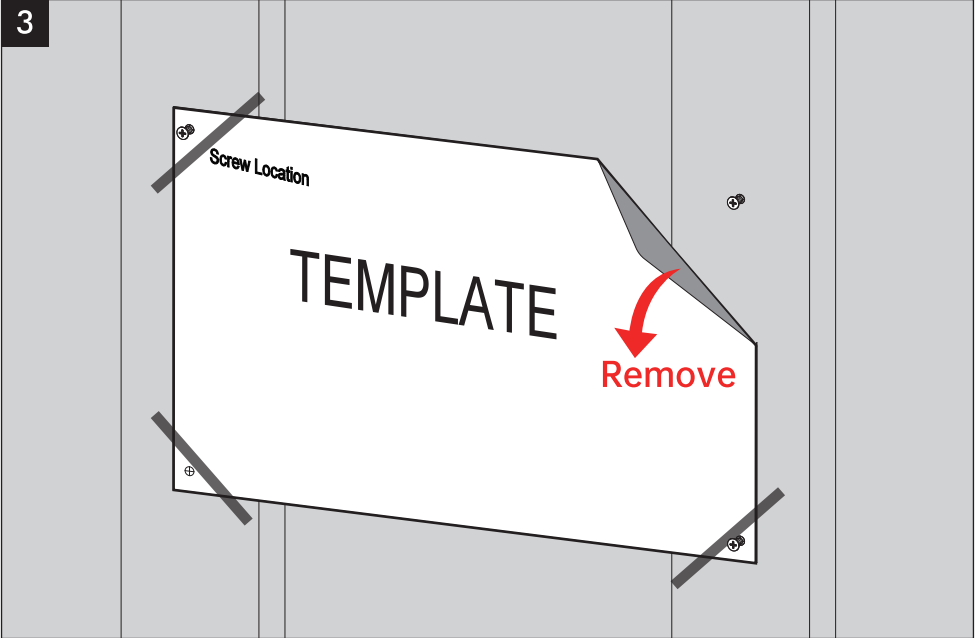
STUD INSTALLATION

Max.load: 110 lbs or 50 kg

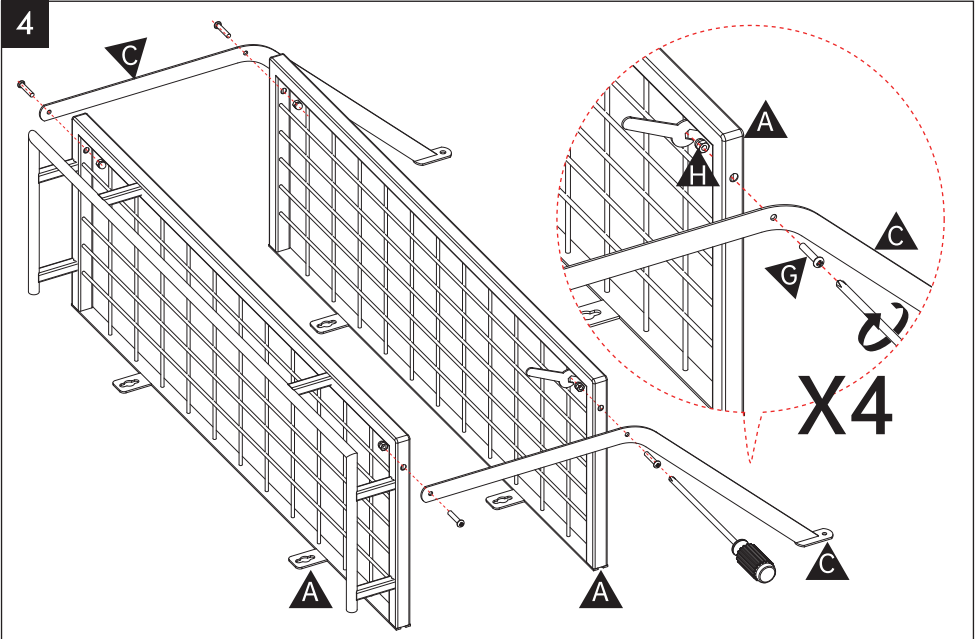
1 Ensure the template is aligned horizontally.

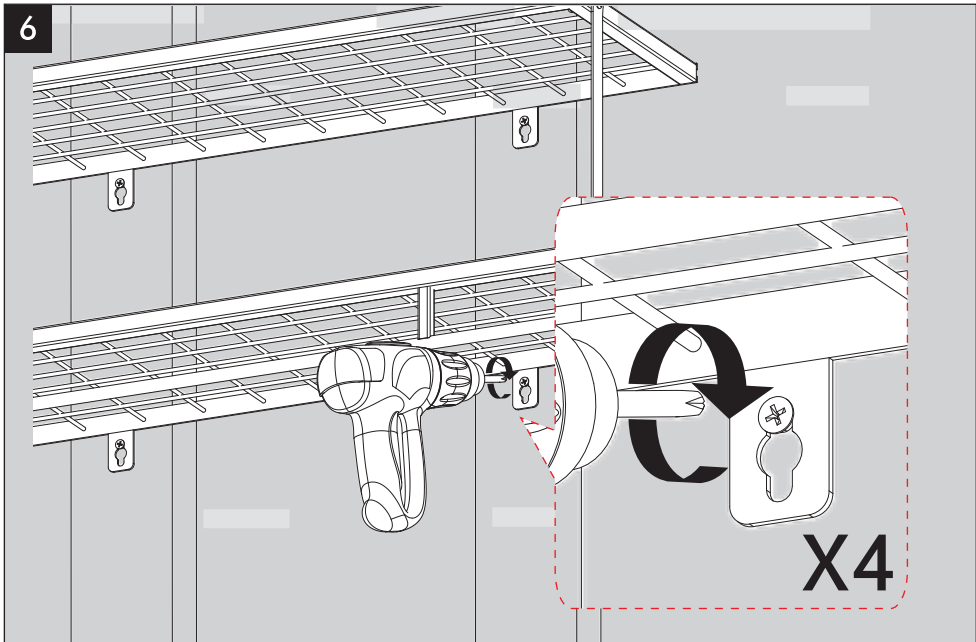
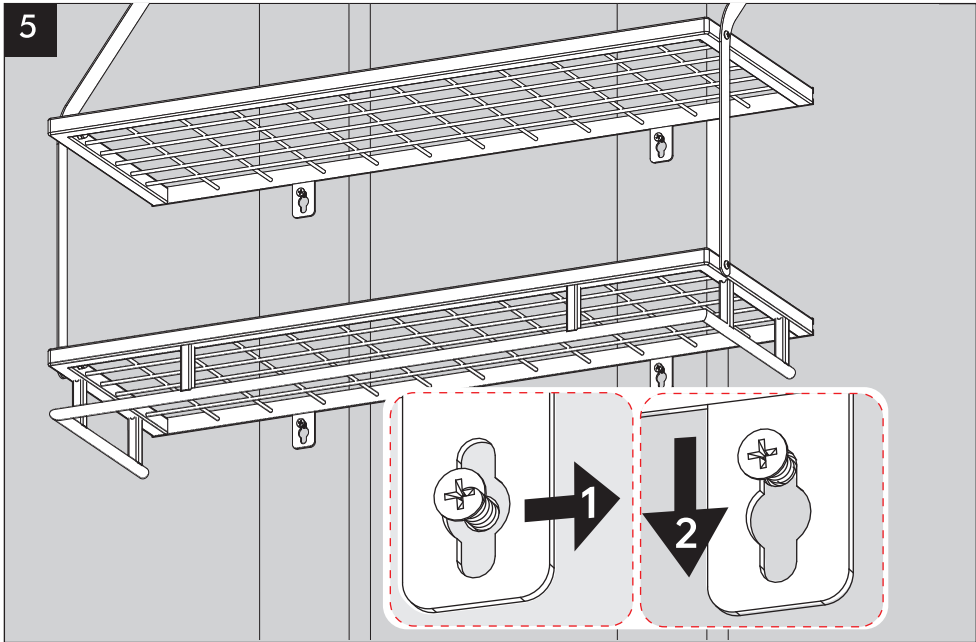


3

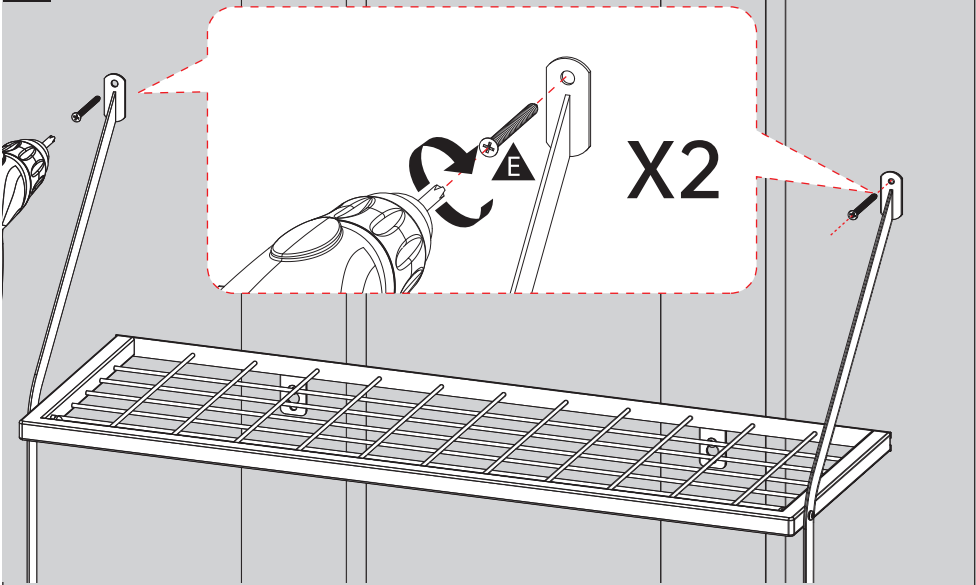


4

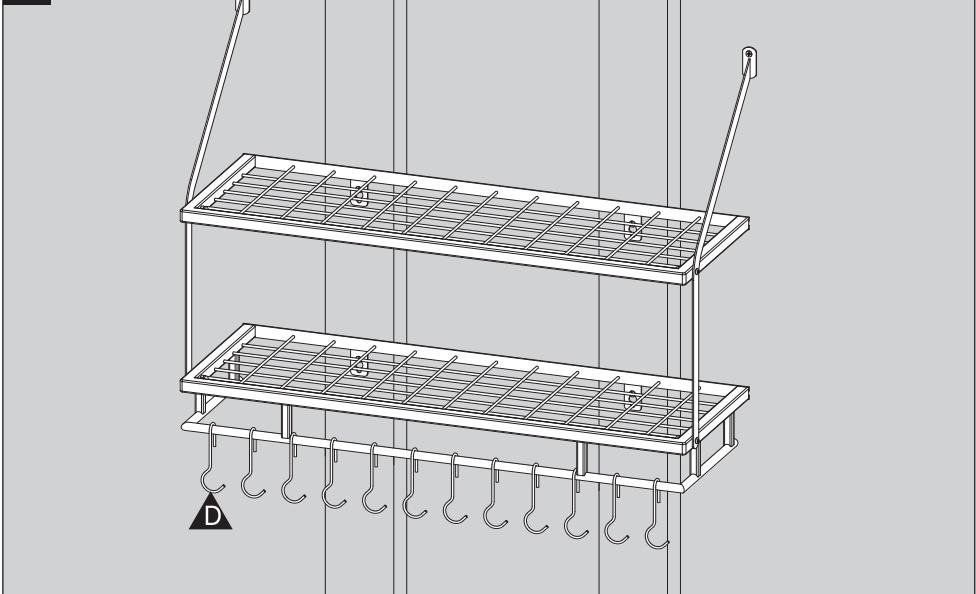




9



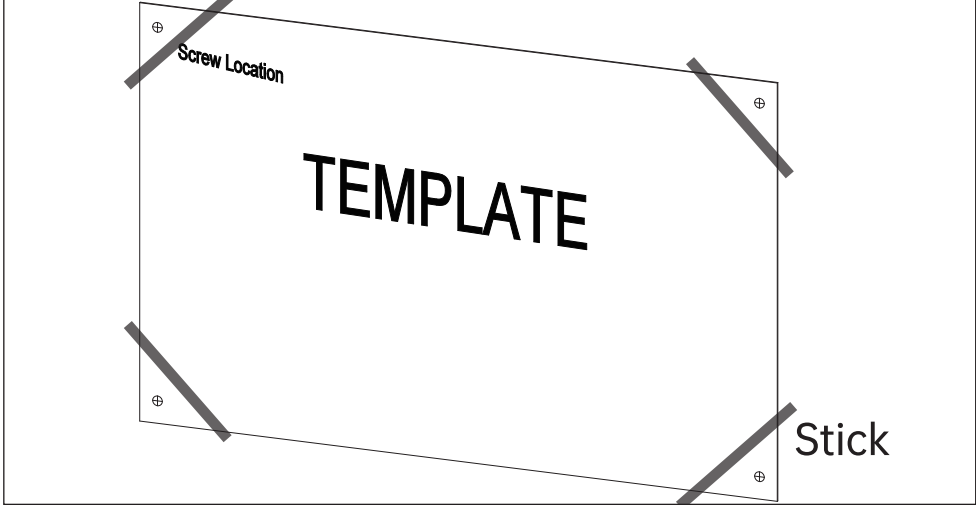
10



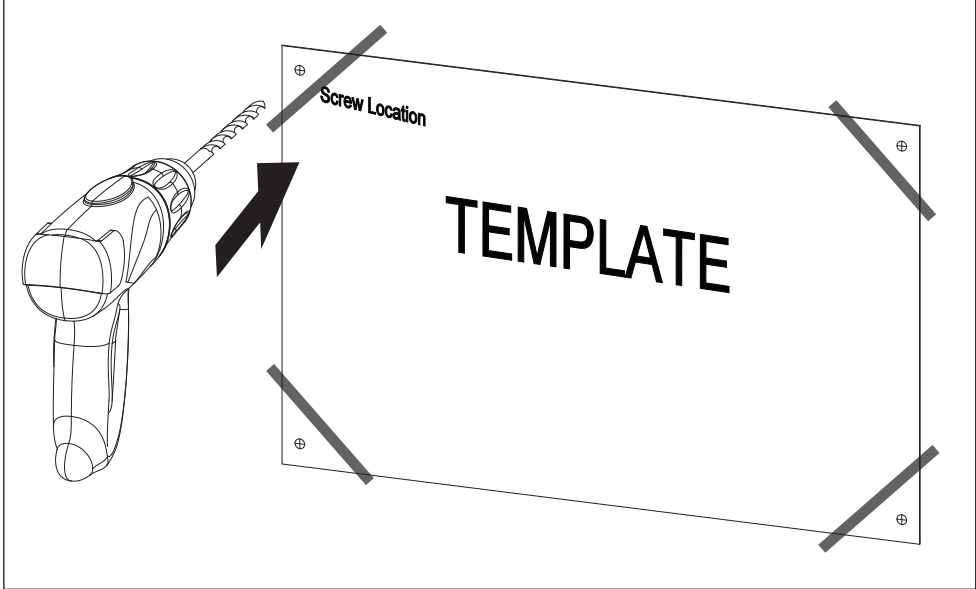
WITHOUT STUD INSTALLATION

Max.load: 88 lbs or 40 kg

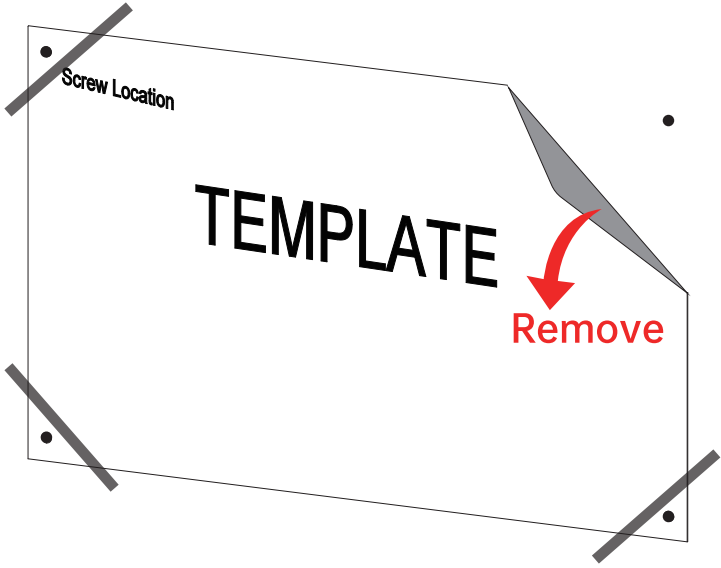
1 Ensure the template is aligned horizontally.



2 Drill-bit size: 5/16" (8 mm).

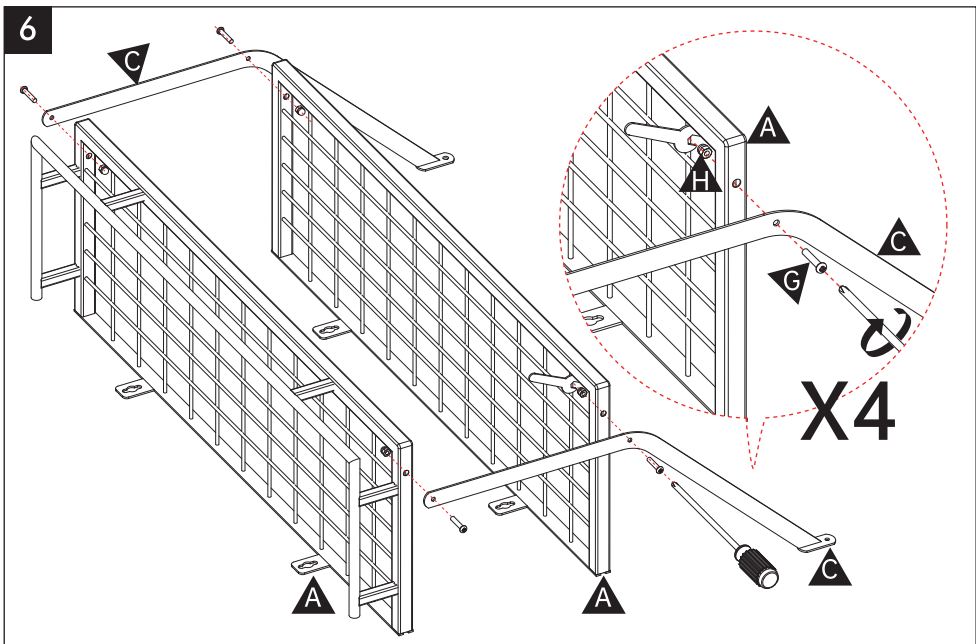
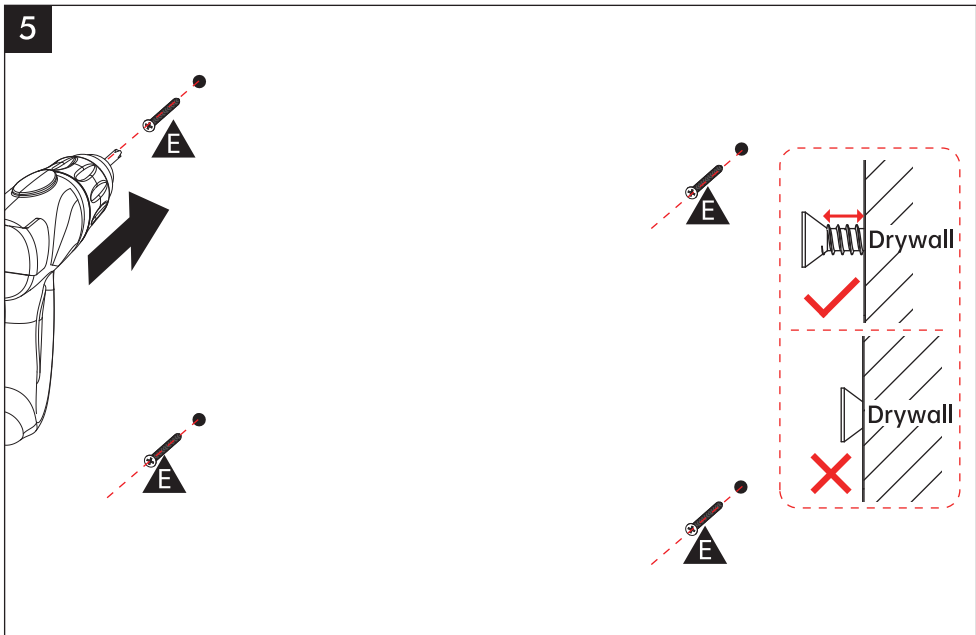


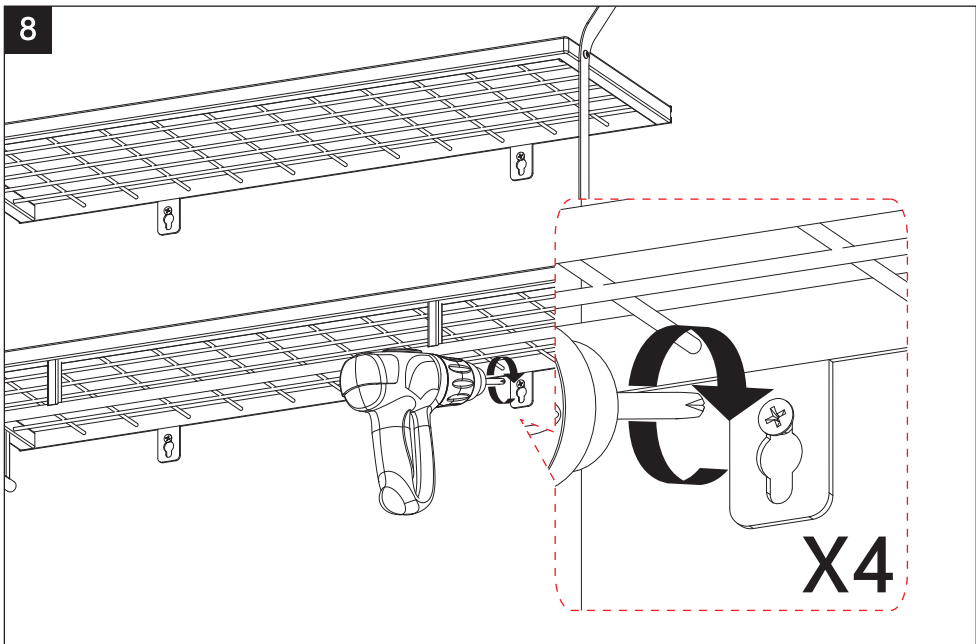
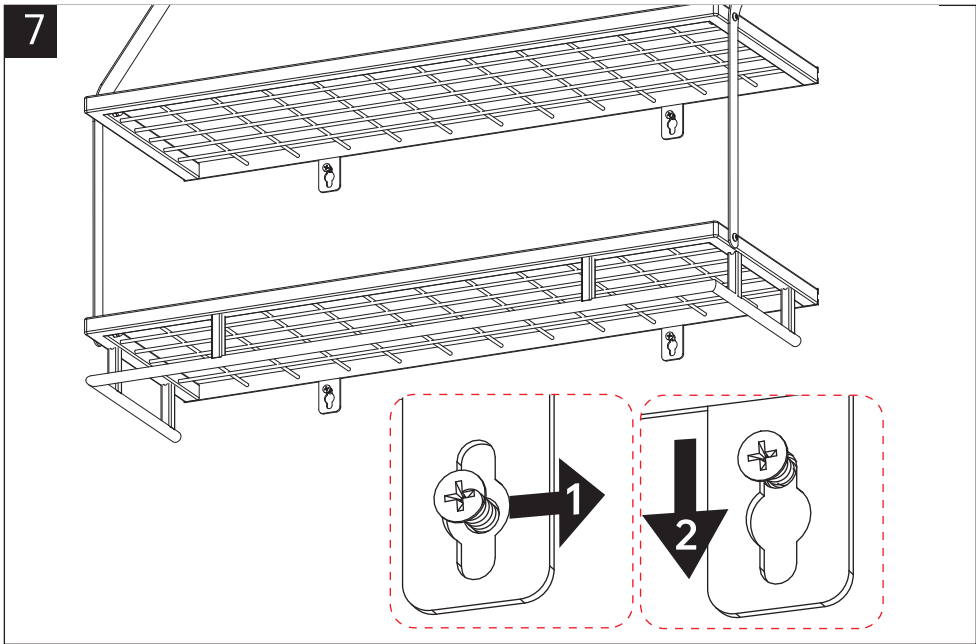
3



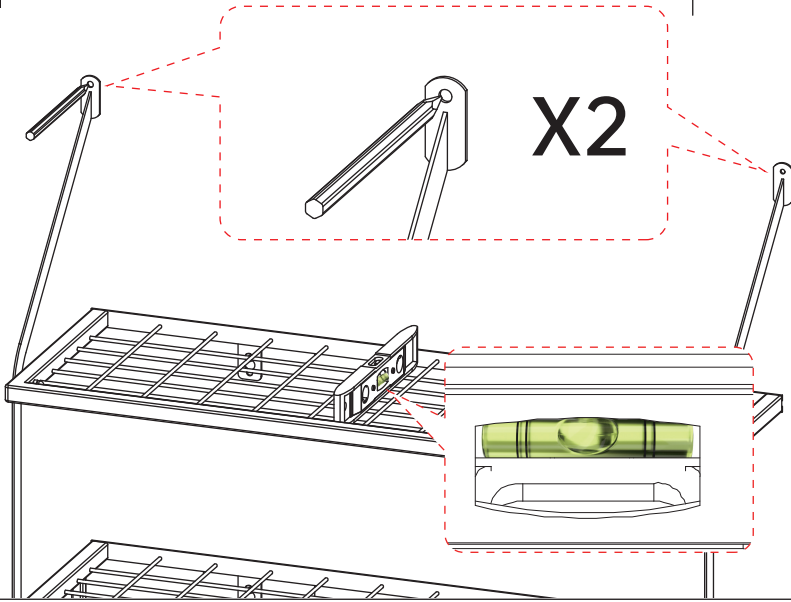
4



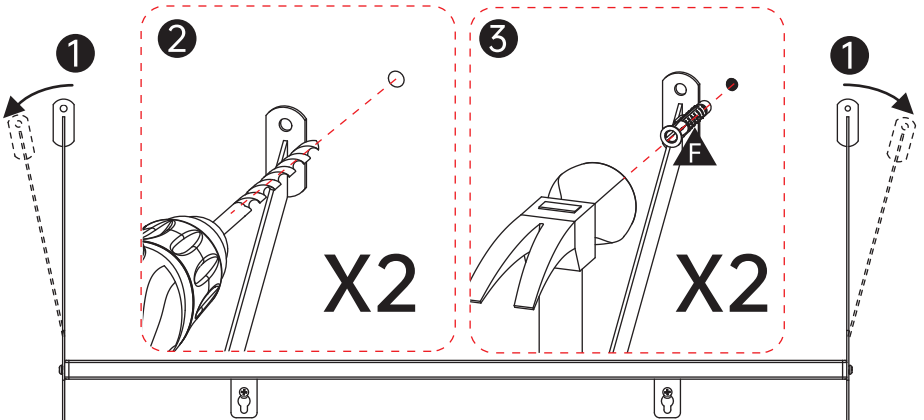




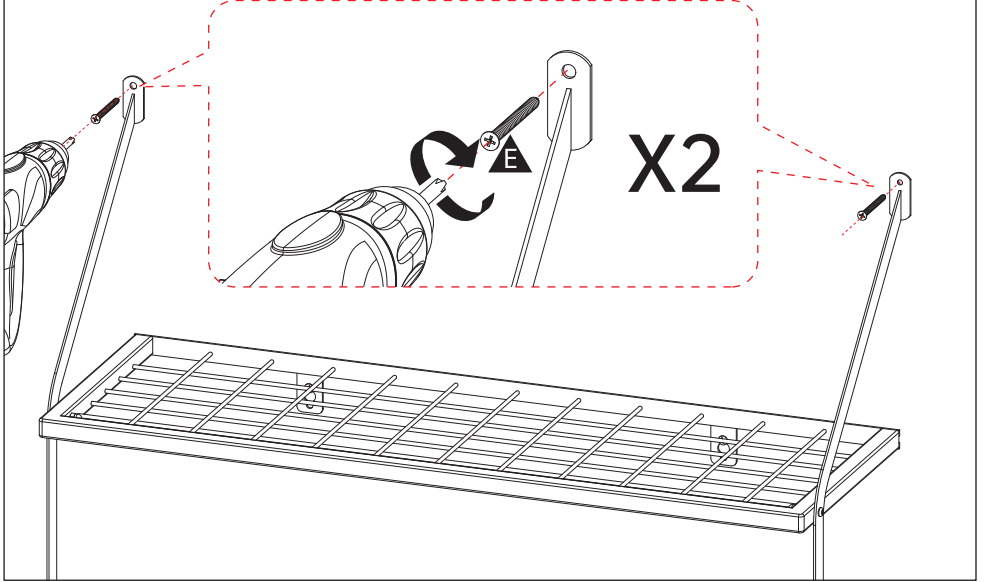
9



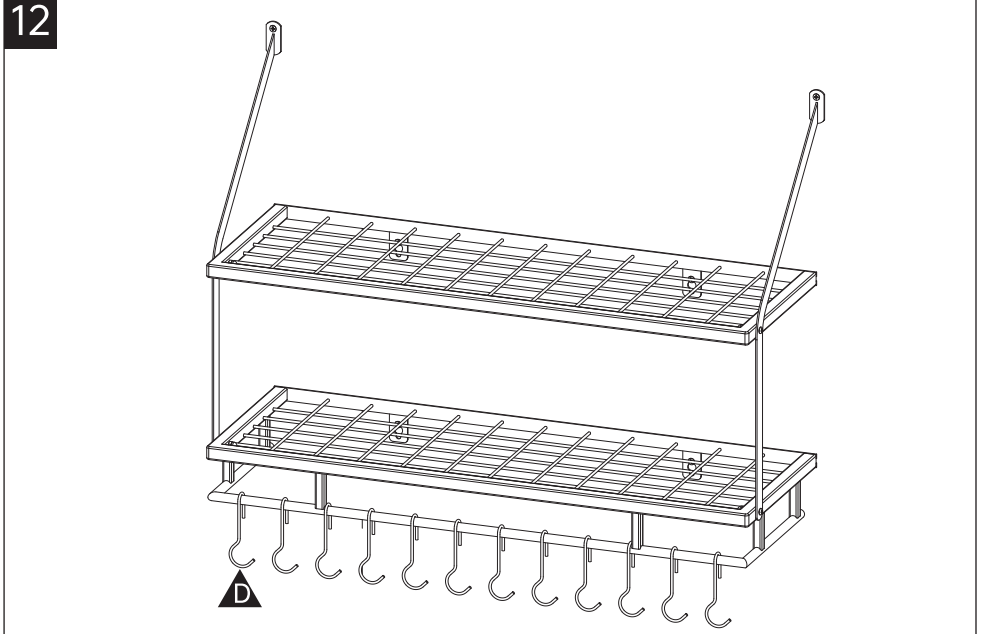
10 Pull arm out slightly, drill 5/16 in (8 mm) hole, insert anchor.



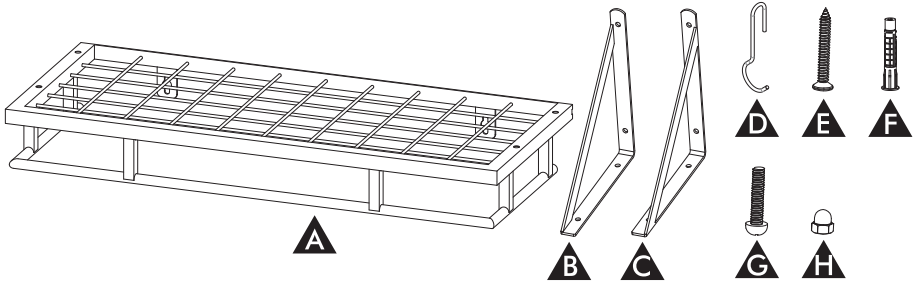
11



12



PRODUCT COMPONENTS

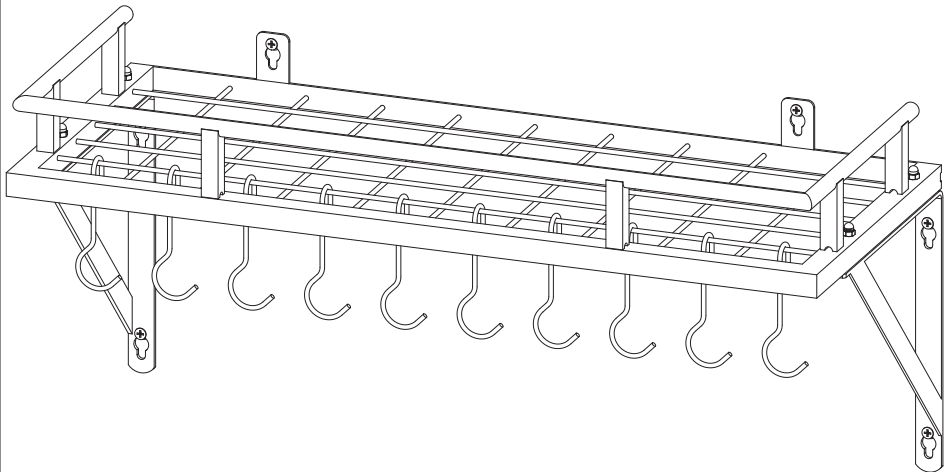


Parts List

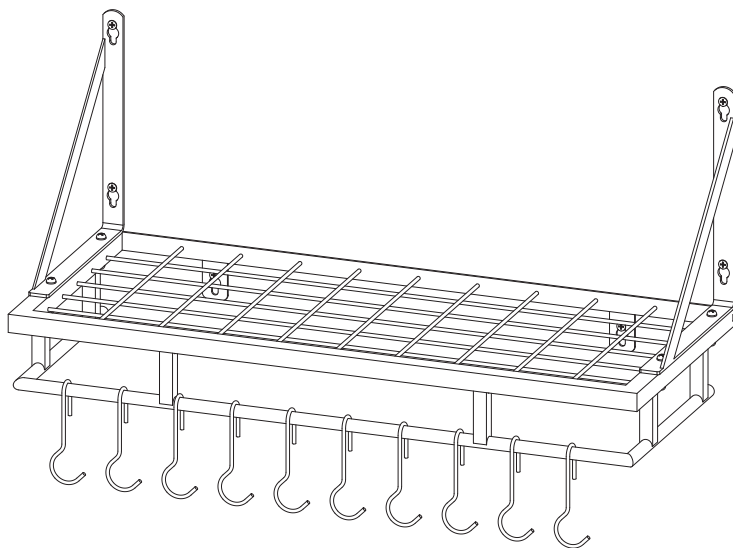
- | | | |
|-----------------------|--|-------------------|
| A. Shelf (x1) | D. S Hook (KUR215S60 x10) (KUR215S75A x12) | |
| B. Left Bracket (x1) | E. Self-tapping Screw (x6) | G. Screw (x4) |
| C. Right Bracket (x1) | F. Wall Anchor (x6) | H. Screw Cap (x4) |

Notice: The following steps demonstrate the installation of Model #: KUR215S60 using application one.

Application One



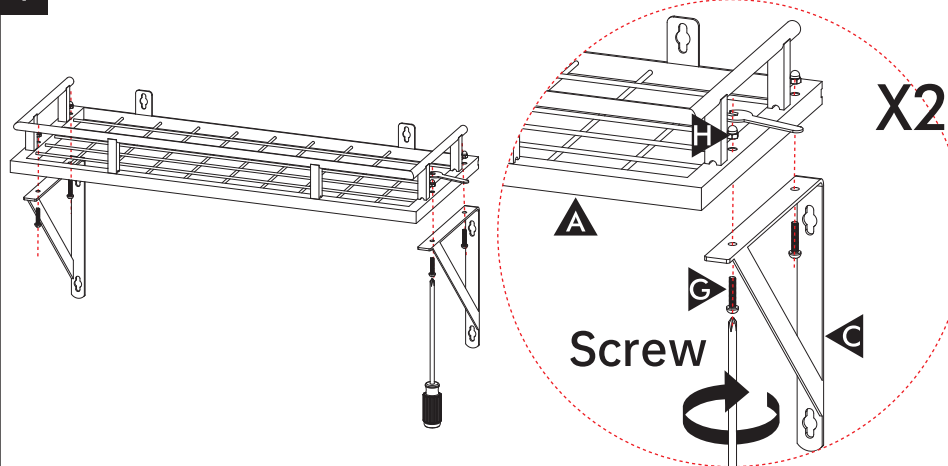
Application Two



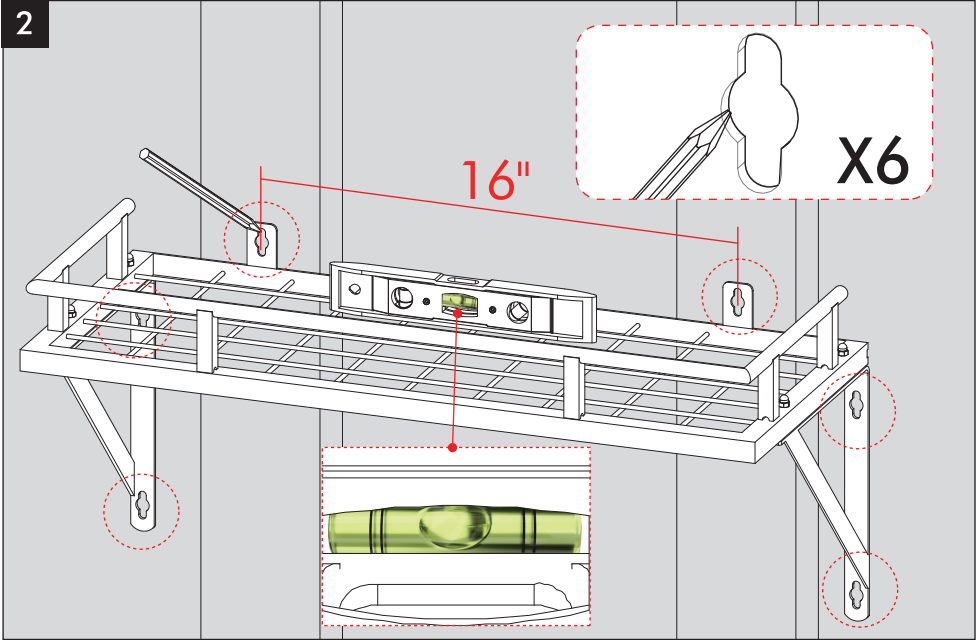
STUD INSTALLATION

Max.load: 88 lbs or 40 kg

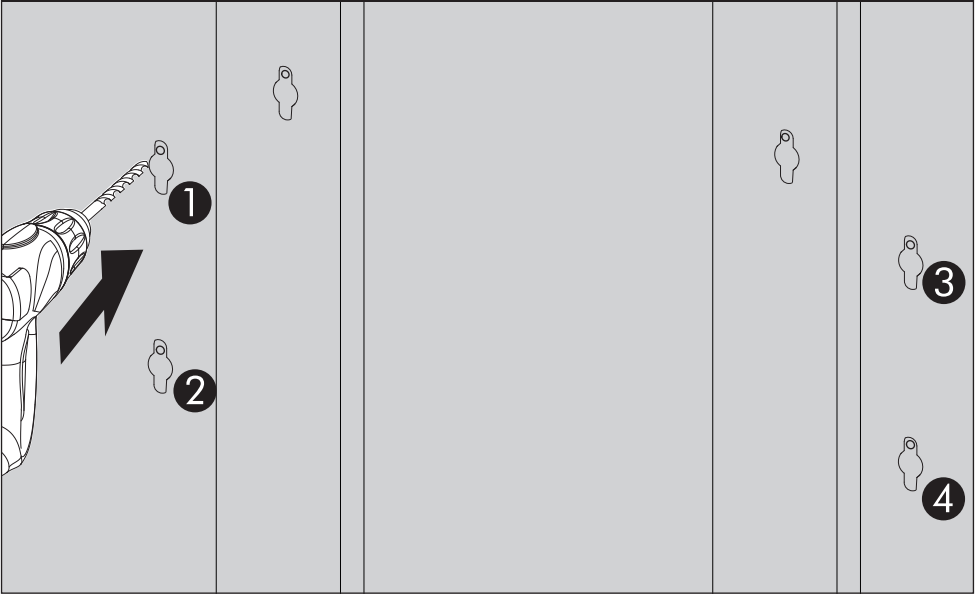
1

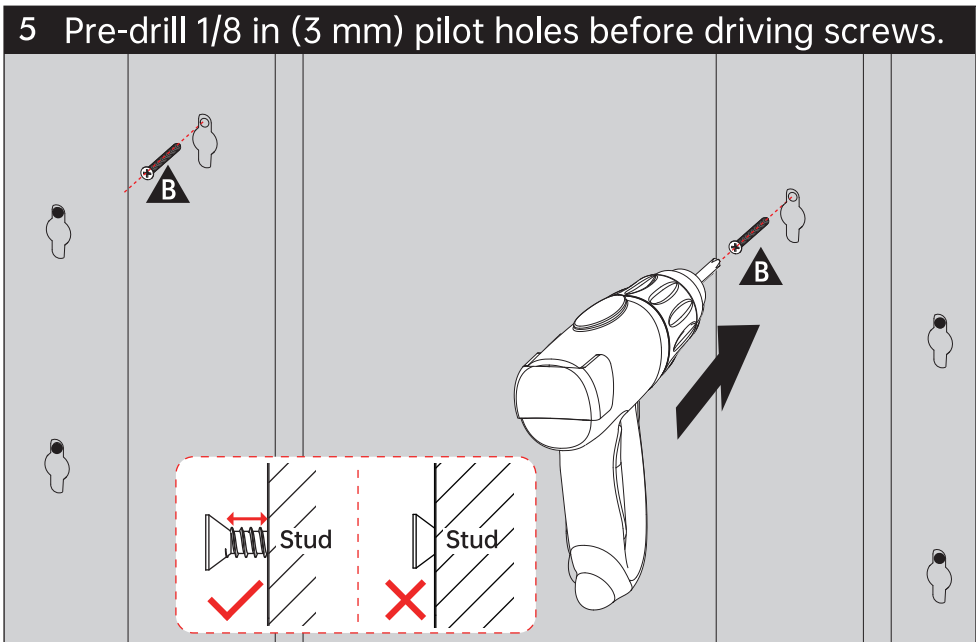
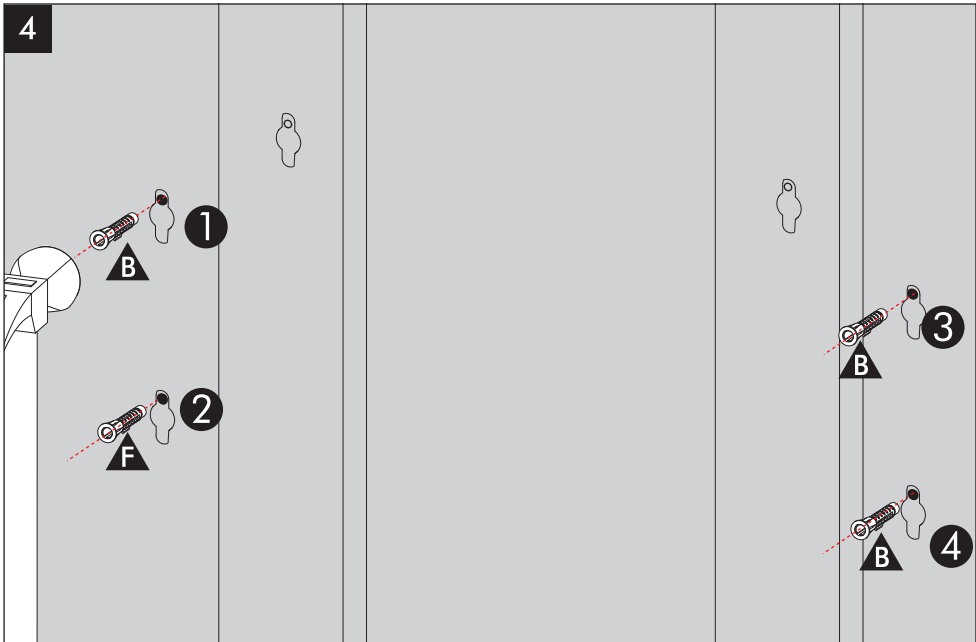


2

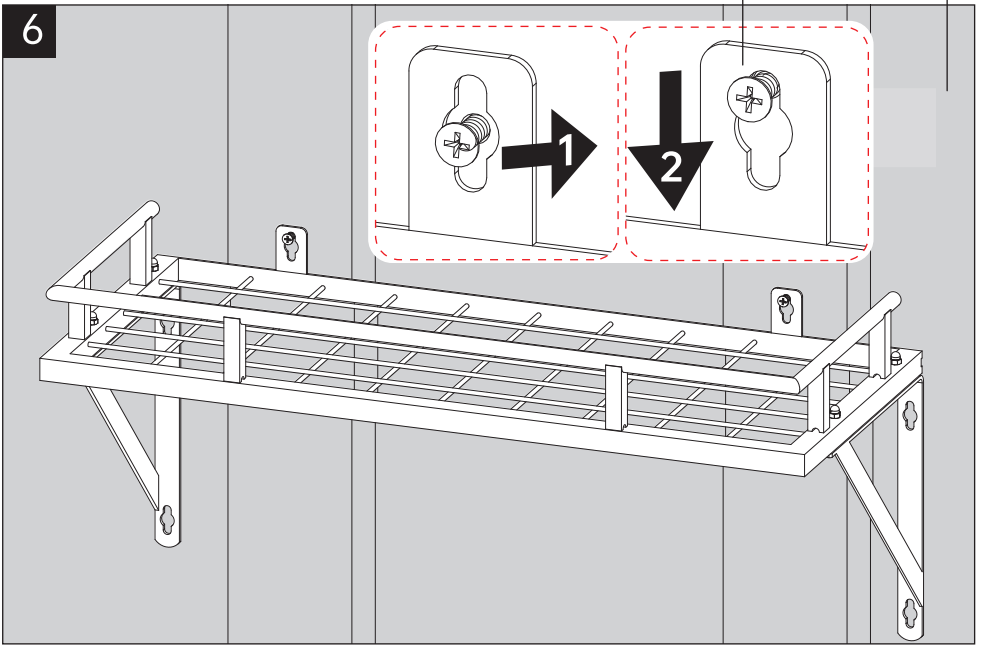


3 Drill-bit size: 5/16" (8 mm). Drill holes ①②③④

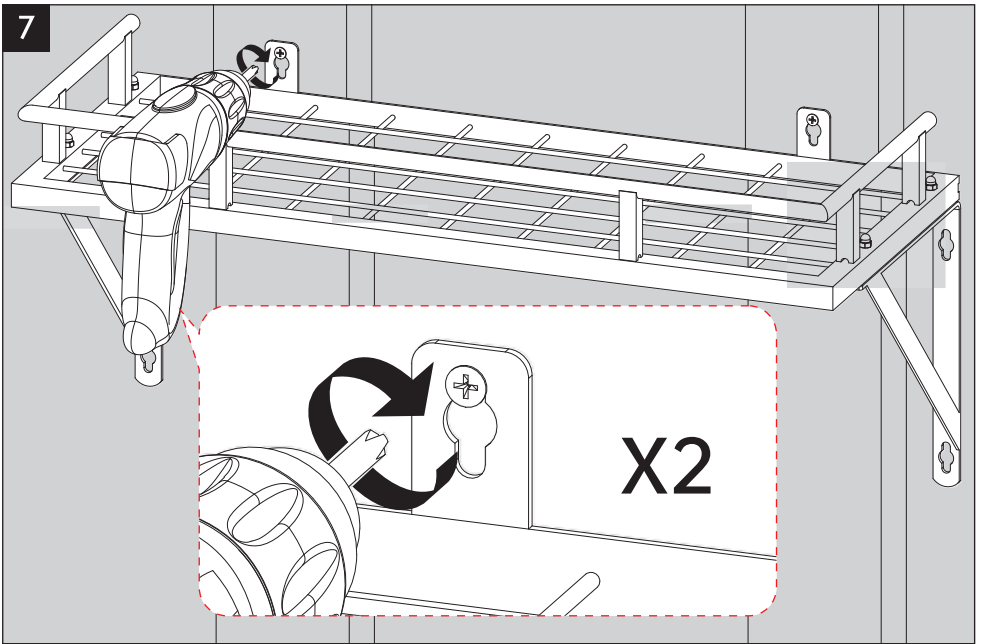


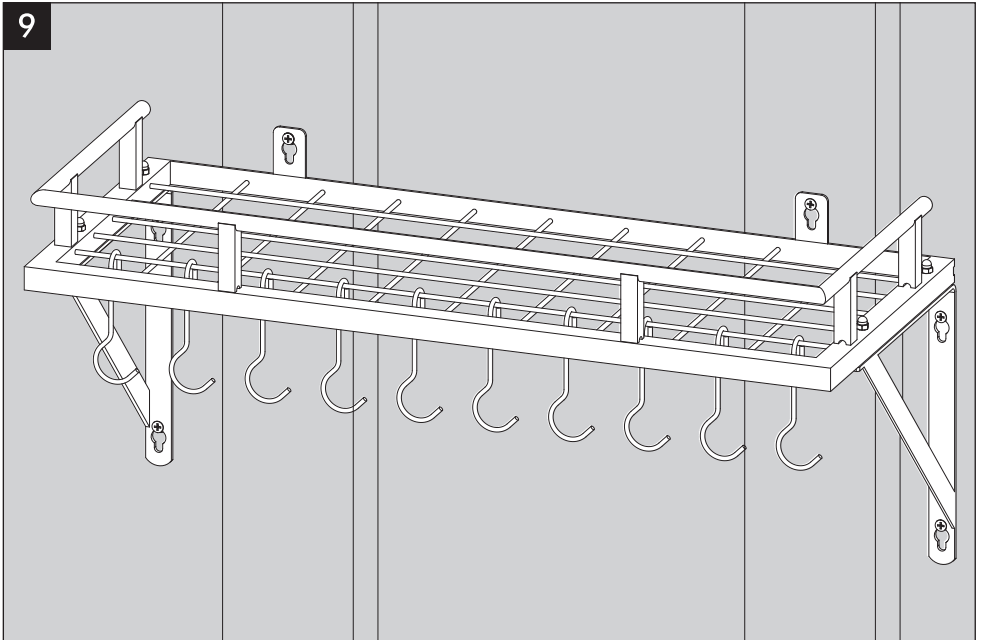
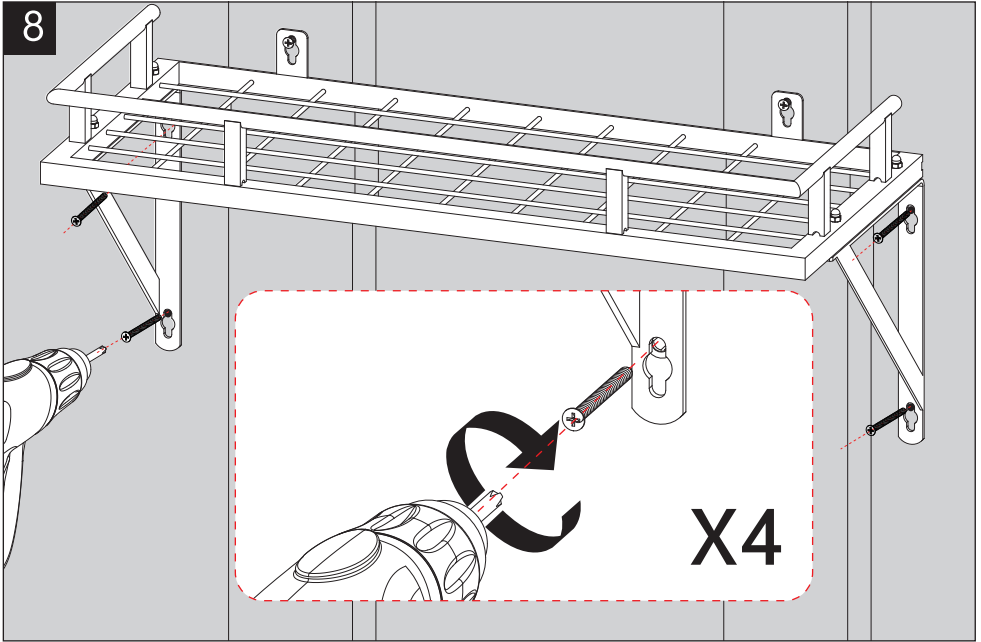


6



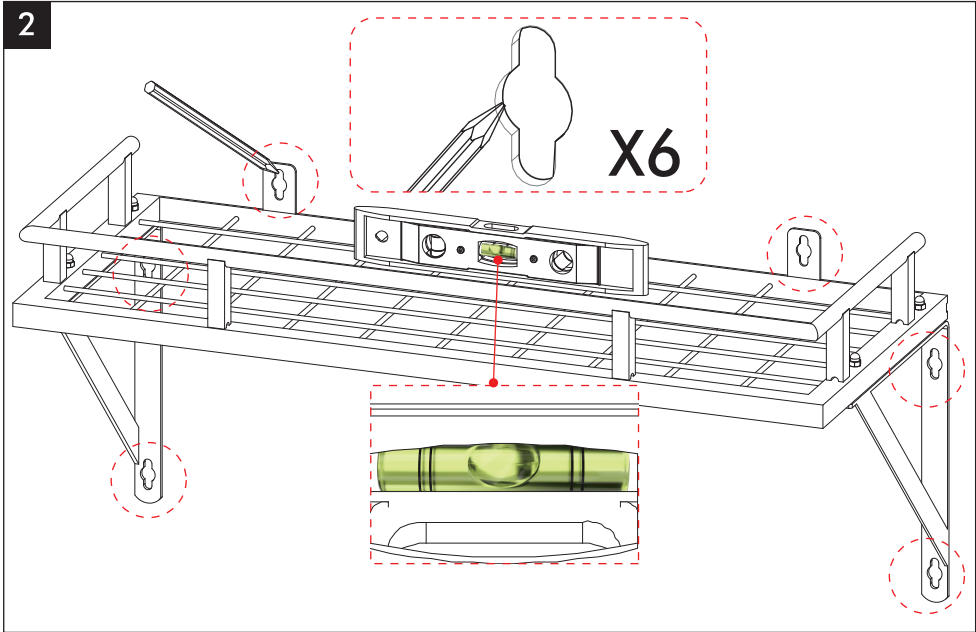
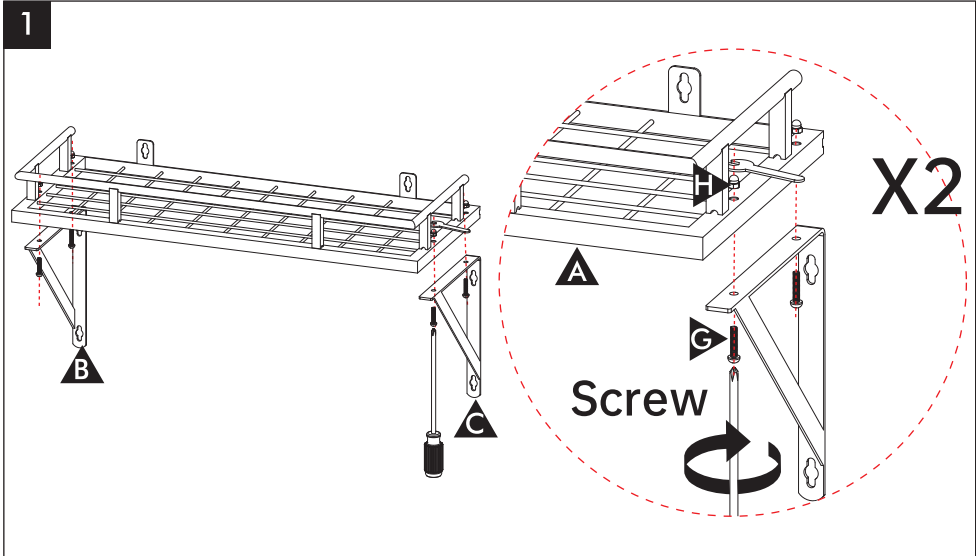
7





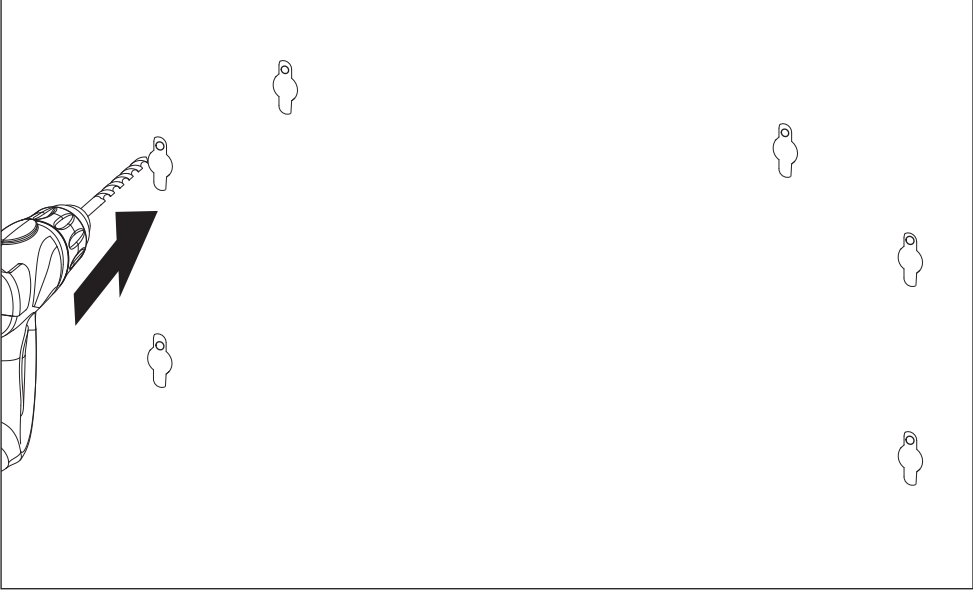
WITHOUT STUD INSTALLATION

Max.load: 88 lbs or 40 kg

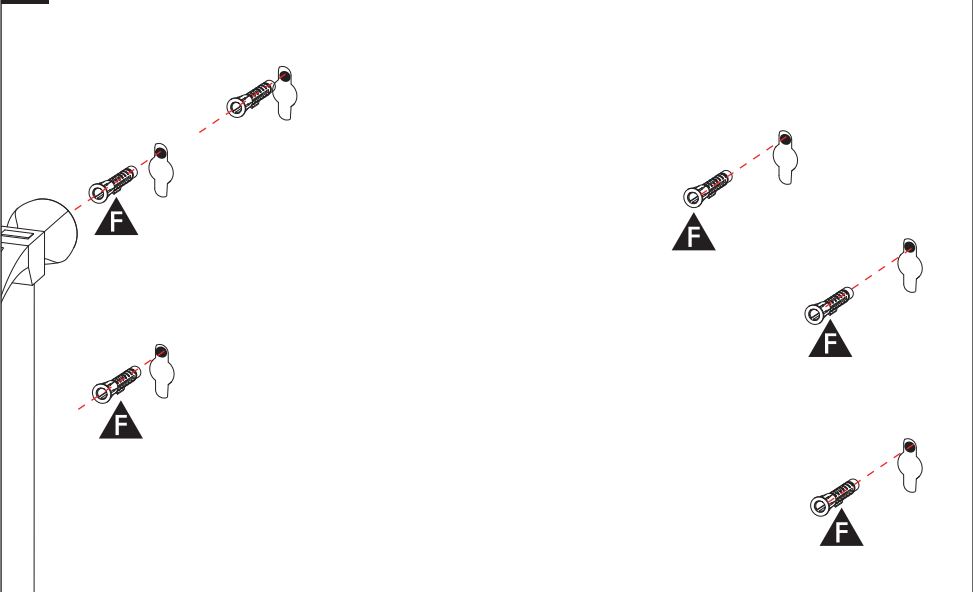


3

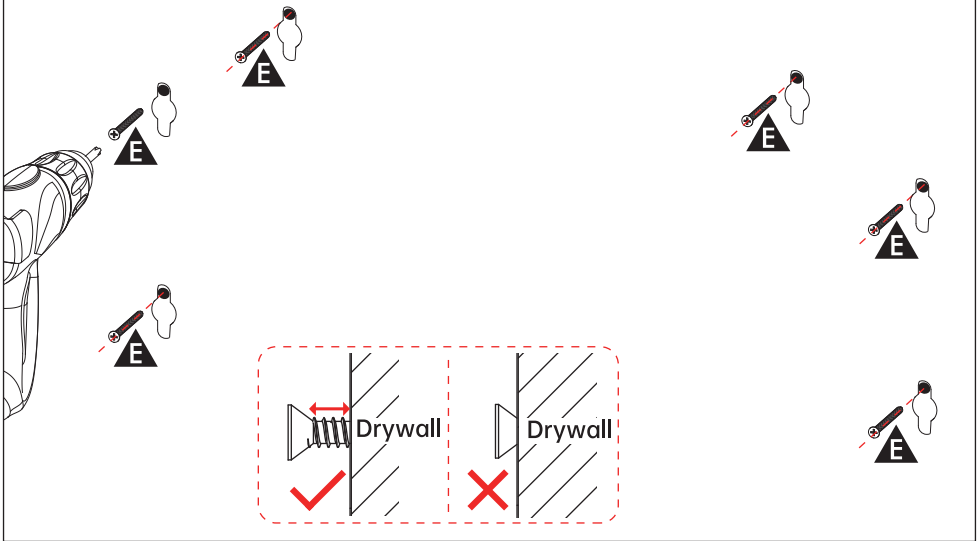
Drill-bit size: 5/16" (8 mm).



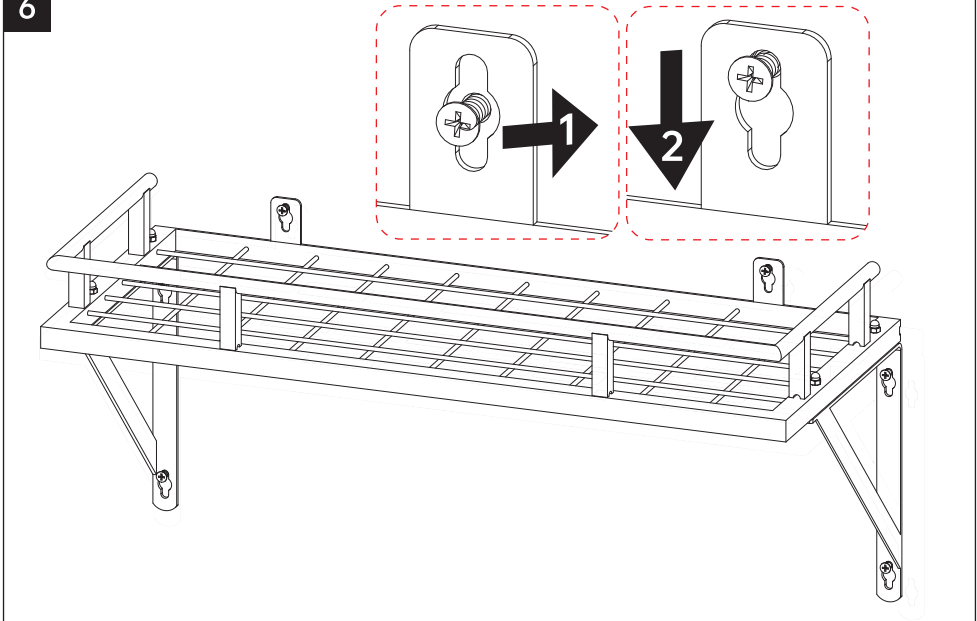
4



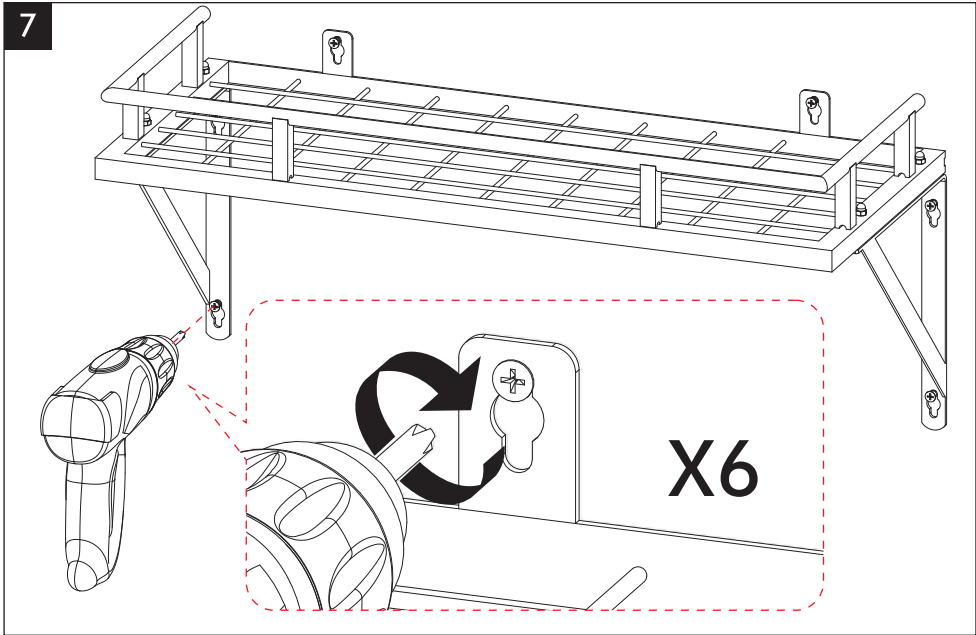
5



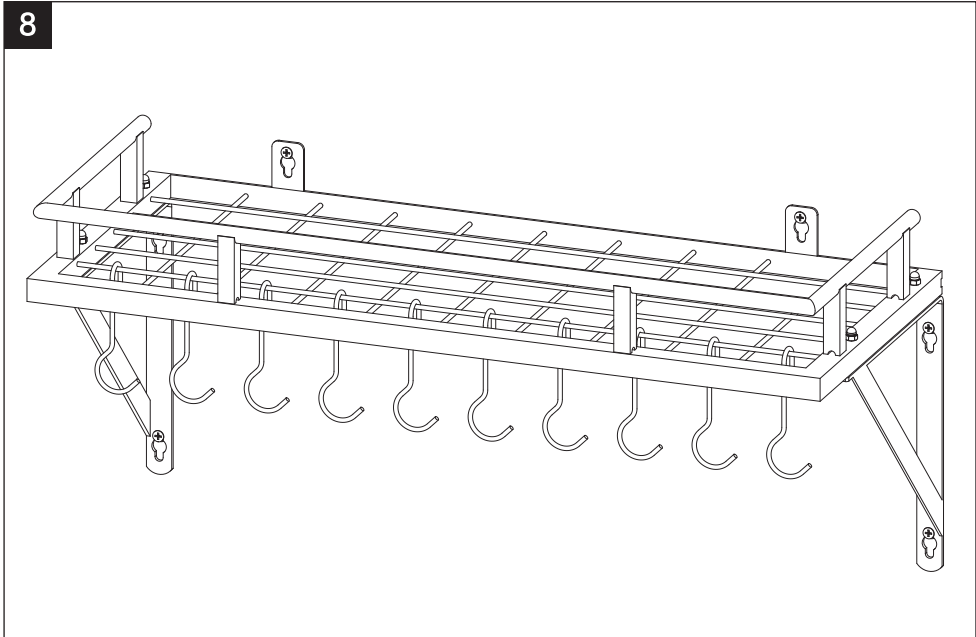
6



7



8





EN Warning: Hard Metal Surface – Avoid Impact and Dropping.

DE Warnung: Harte Metalloberfläche – Aufprall und Fallenlassen vermeiden.

FR Avertissement: Surface en métal dur – Évitez les chocs et les chutes.

ES Advertencia: Superficie de metal duro – Evite golpes y caídas.

IT Avvertenza: Superficie metallica dura – Evitare urti e cadute.

PL Ostrzeżenie: Twarda metalowa powierzchnia – Unikaj uderzeń i upadków.

NL Waarschuwing: Harde metalen oppervlakte – Vermijd stoten en laten vallen.

SV Varning: Hård metall-yta – Undvik stötar och att tappa.

TR Uyarı: Sert Metal Yüzey – Darbe ve Düşürmekten Kaçının.

Care Instructions

For effective maintenance, use only a soft, damp cloth to clean the product. Ensure thorough drying and avoid commercial or abrasive cleaners.

Warranty Information

One-Year Limited Warranty

We warrant our products purchased from authorized sellers to be free from defects in material and workmanship for one (1) year from the original date of purchase.

What We Will Do

We will repair or replace, **FREE OF CHARGE**, during the one (1) year warranty period, any part that proves defective in material and/or workmanship under normal installation, use and service.

If repair or replacement is not practical, we may elect to refund the purchase price in exchange for the return of the product.

What Is Not Covered

We shall not be liable for any damage to the product resulting from reasonable wear and tear, installation and maintenance errors, outdoor use, freezing water, abuse, misuse, and use of cleaners containing abrasive cleansers, ammonia, bleach, acids, waxes, alcohol or other organic solvents.

We are not responsible for removal, installation, labor charges, or other incidental or consequential costs. In no event shall our liability exceed the purchase price of the product.

WE AND/OR SELLER ARE PROVIDING THESE WARRANTIES IN LIEU OF ALL OTHER WARRANTIES, EXPRESSED OR IMPLIED, INCLUDING BUT NOT LIMITED TO THE IMPLIED WARRANTIES OF MERCHANTABILITY AND FITNESS FOR A PARTICULAR PURPOSE. WE AND/OR SELLER DISCLAIM ALL LIABILITY FOR SPECIAL, INCIDENTAL OR CONSEQUENTIAL DAMAGES.

Some jurisdictions do not allow the exclusion or limitation of incidental or consequential damages, so these limitations and exclusions may not apply to you. This warranty gives you specific legal rights and you may also have other rights which vary from jurisdiction to jurisdiction.

This warranty applies only to our products sold in North America and Europe.

Supplementary Terms

Warranty terms may vary depending on the laws and regulations of the country or region where the product is sold. Consumers may have statutory warranty rights under local consumer protection laws that are not affected by the terms of this commercial warranty. For specific warranty rights applicable in your region, please refer to local consumer protection legislation.



FOR MODERN HOME CREATORS

Copyright © 2025 KES or its affiliates. All Rights Reserved.