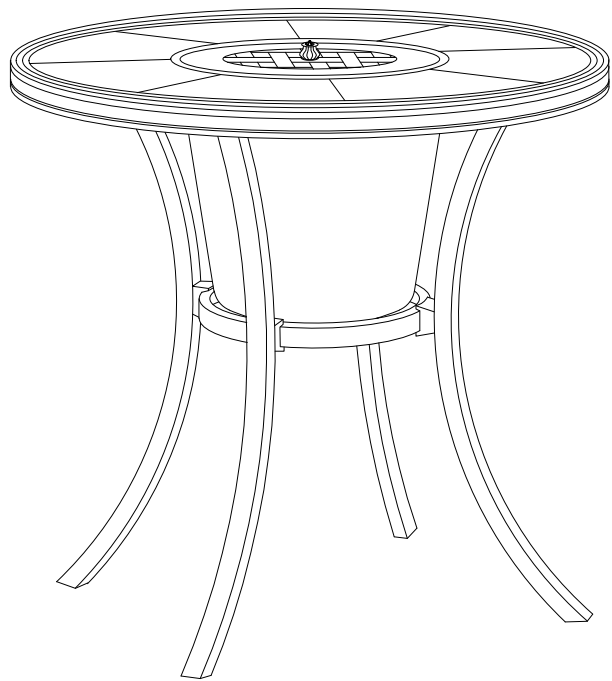
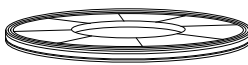
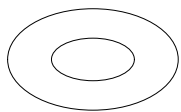
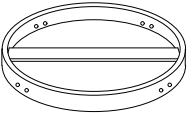
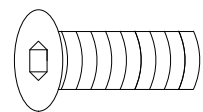
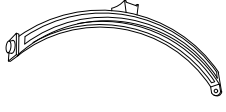
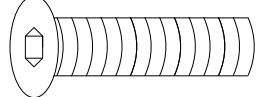
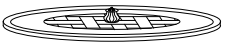


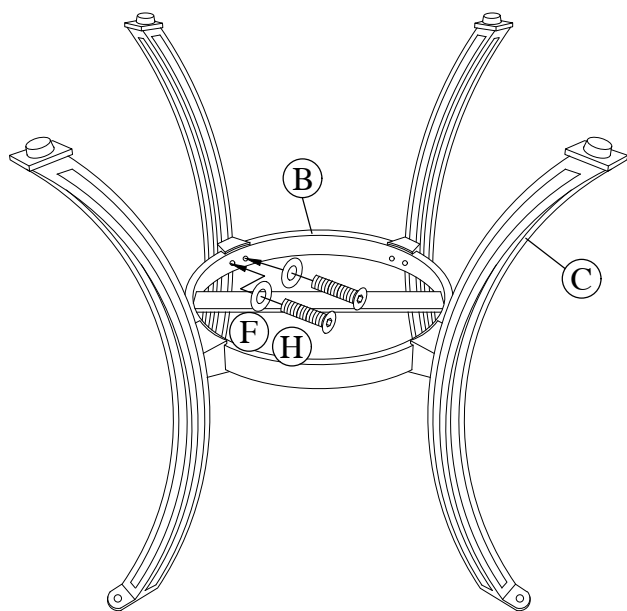


# ASSEMBLE INSTRUCTION

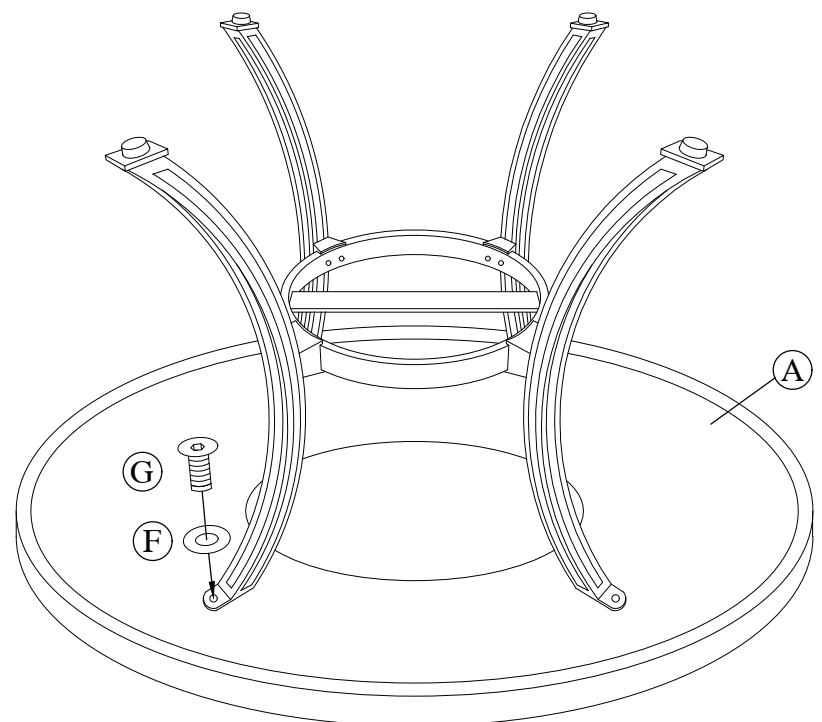


<b>A</b>	 x1	<b>F</b>	 Ø6.5*1.0 x12
<b>B</b>	 x1	<b>G</b>	 1/4"x18 x4
<b>C</b>	 x4	<b>H</b>	 1/4"x22 x8
<b>D</b>	 x1	<b>I</b>	 x1
<b>E</b>	 x1		

1



2



1. Fix all the screws in place, without tightening them first.
2. After confirming the position of all the screws, tighten the screws and nuts.