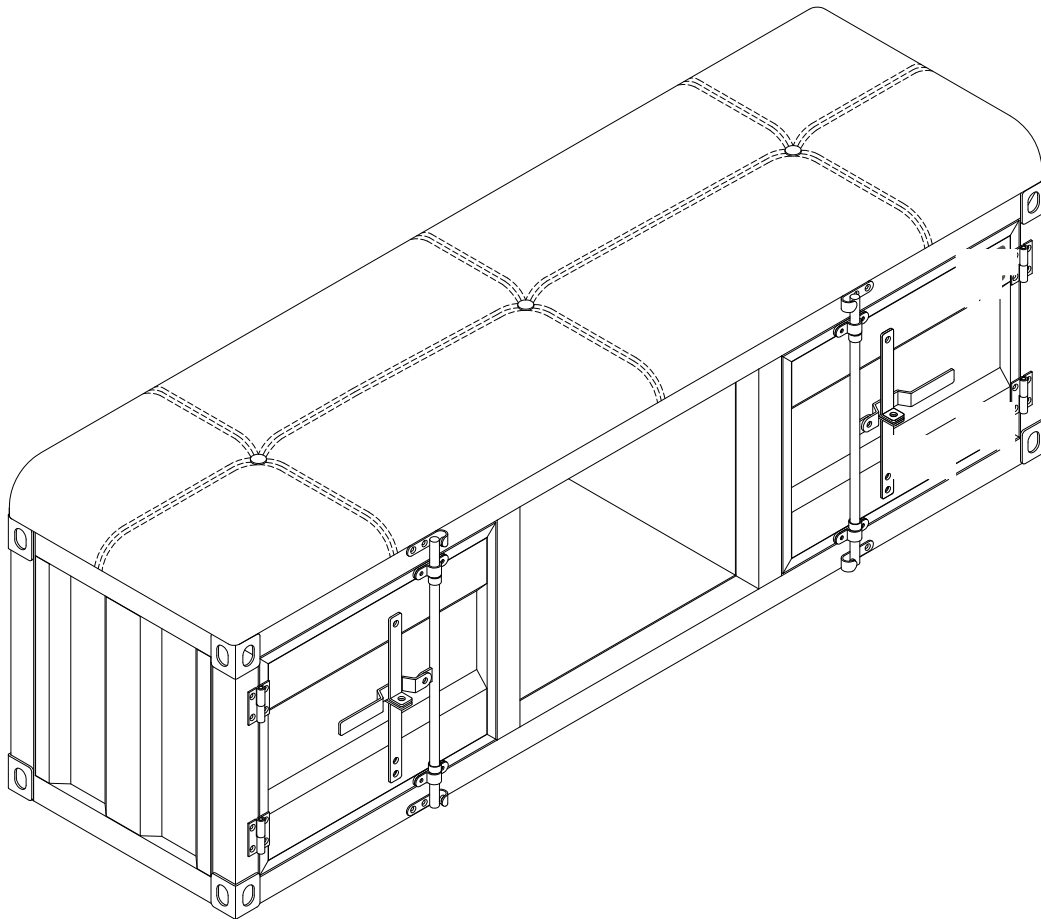
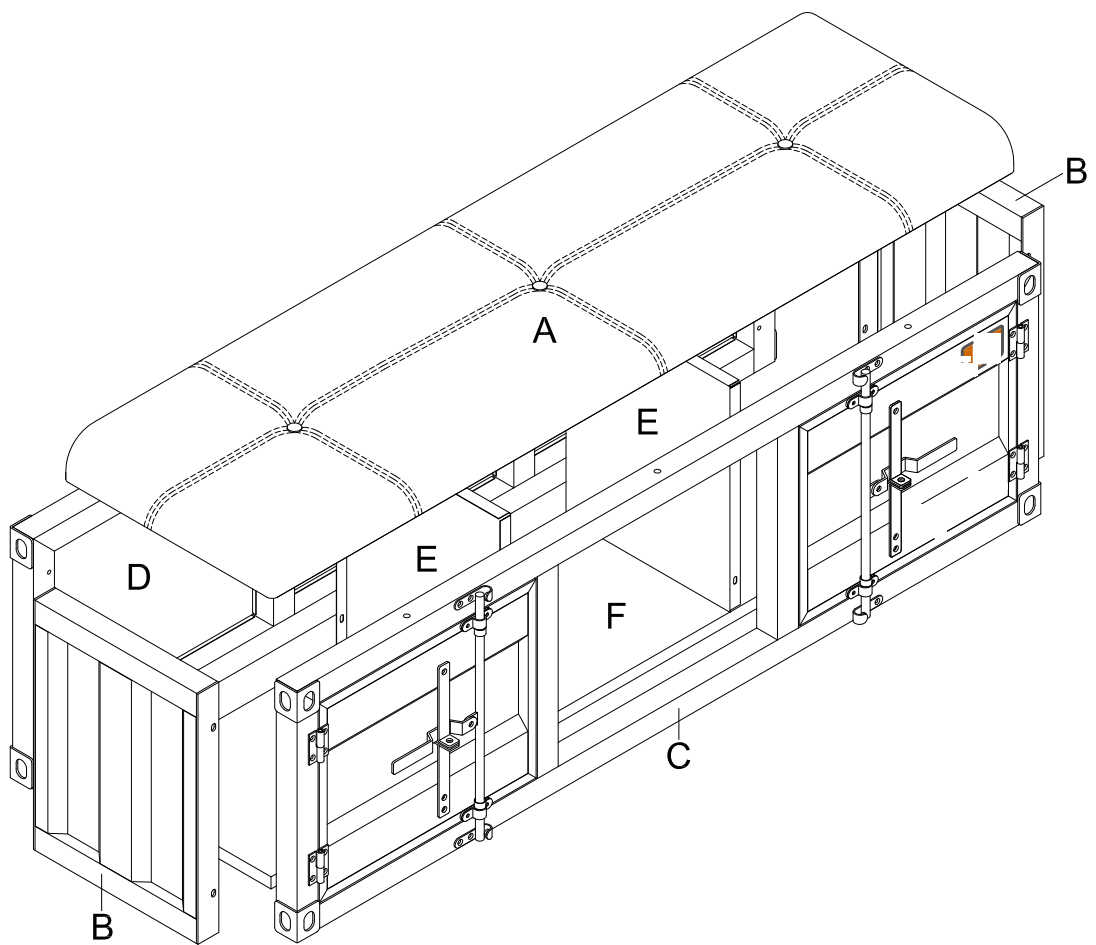


ASSEMBLY INSTRUCTIONS

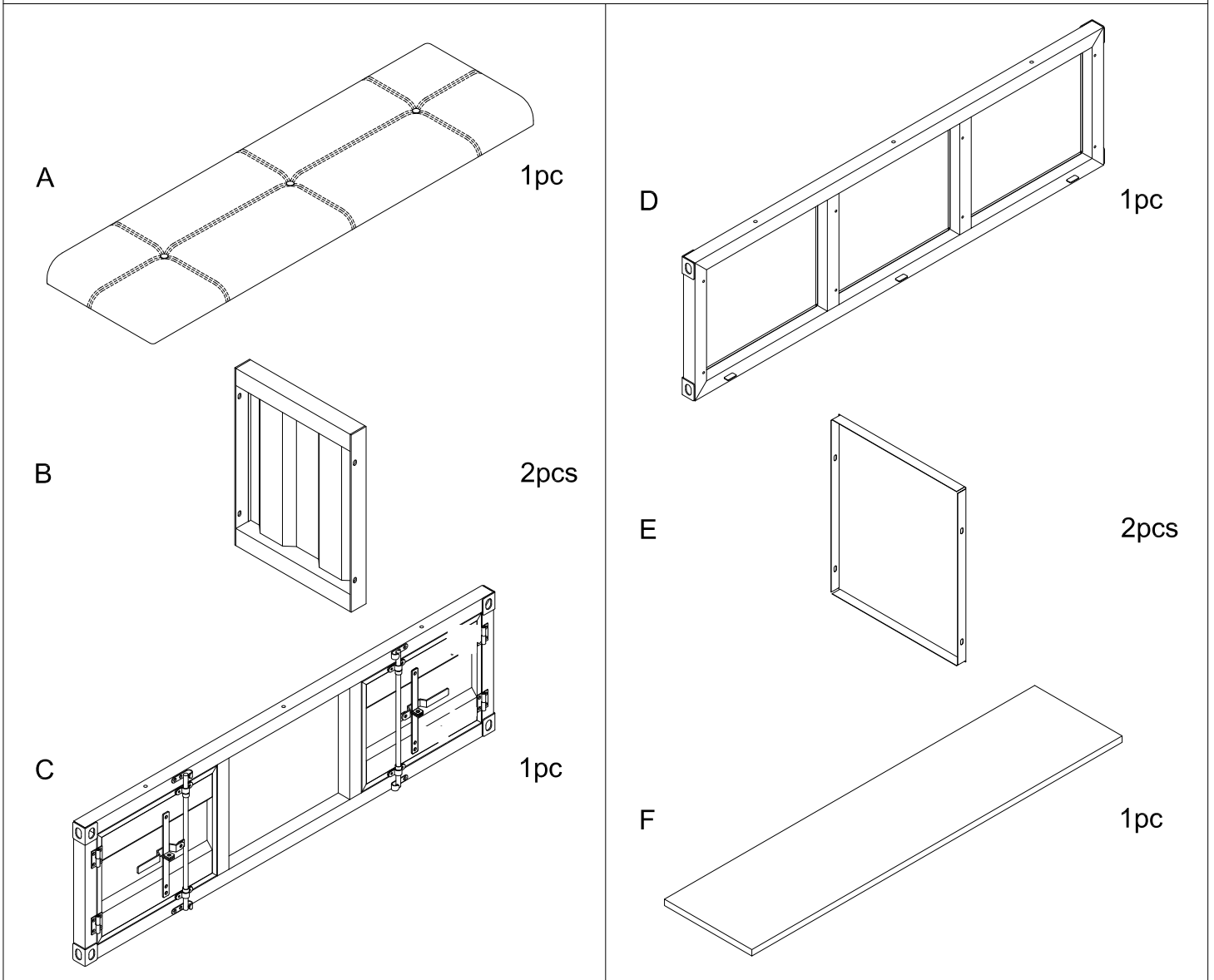


Do not tighten screws until completely assembled.

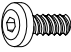
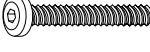



PARTS IDENTIFICATION

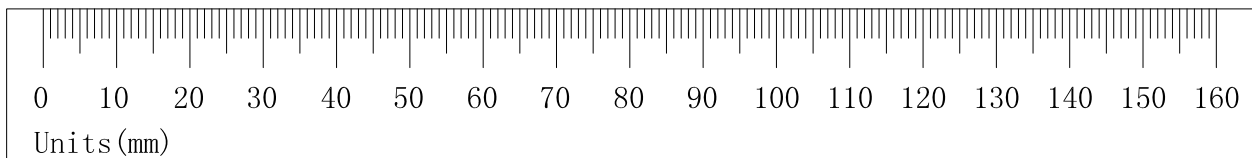


PARTS IDENTIFICATION

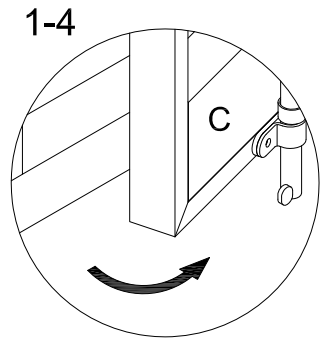
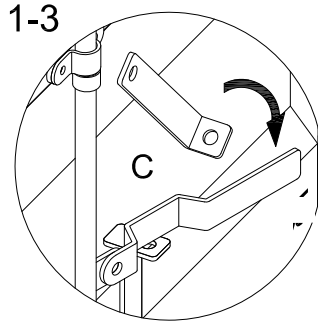
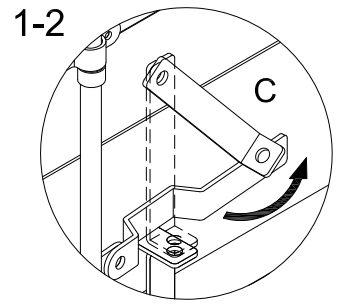
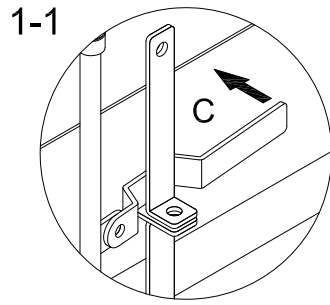
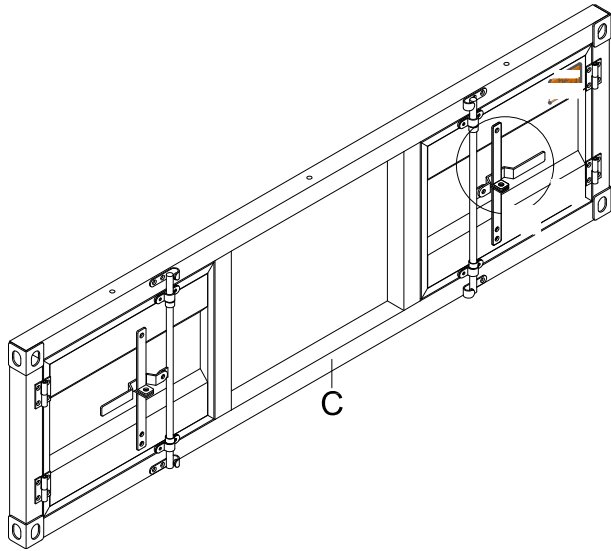


HARDWARE LIST

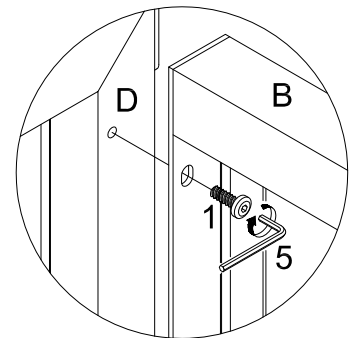
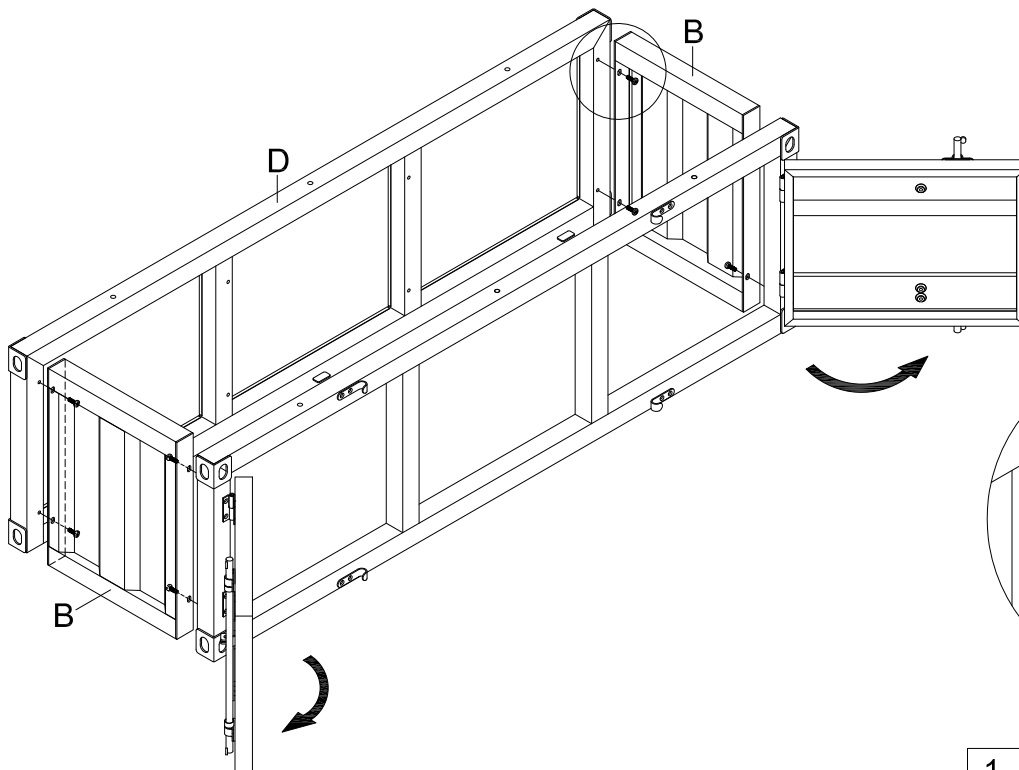
<p>1 M6x15</p>  <p style="text-align: right;">8pcs</p>	<p>2 M6x60</p>  <p style="text-align: right;">4pcs</p>	<p>3 M6x60</p>  <p style="text-align: right;">2pcs</p>
<p>4 M5x10</p>  <p style="text-align: right;">8pcs</p>	<p>5 4x4</p>  <p style="text-align: right;">1pc</p>	



STEP 1.

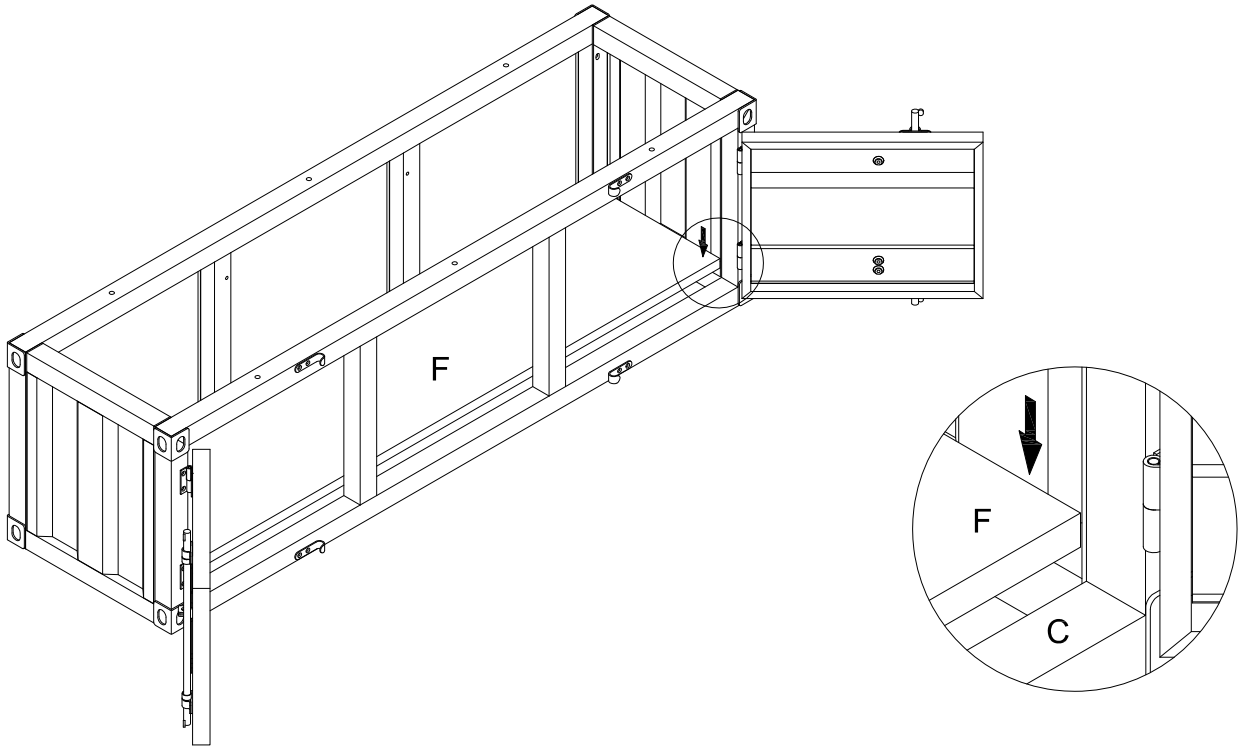


STEP 2.

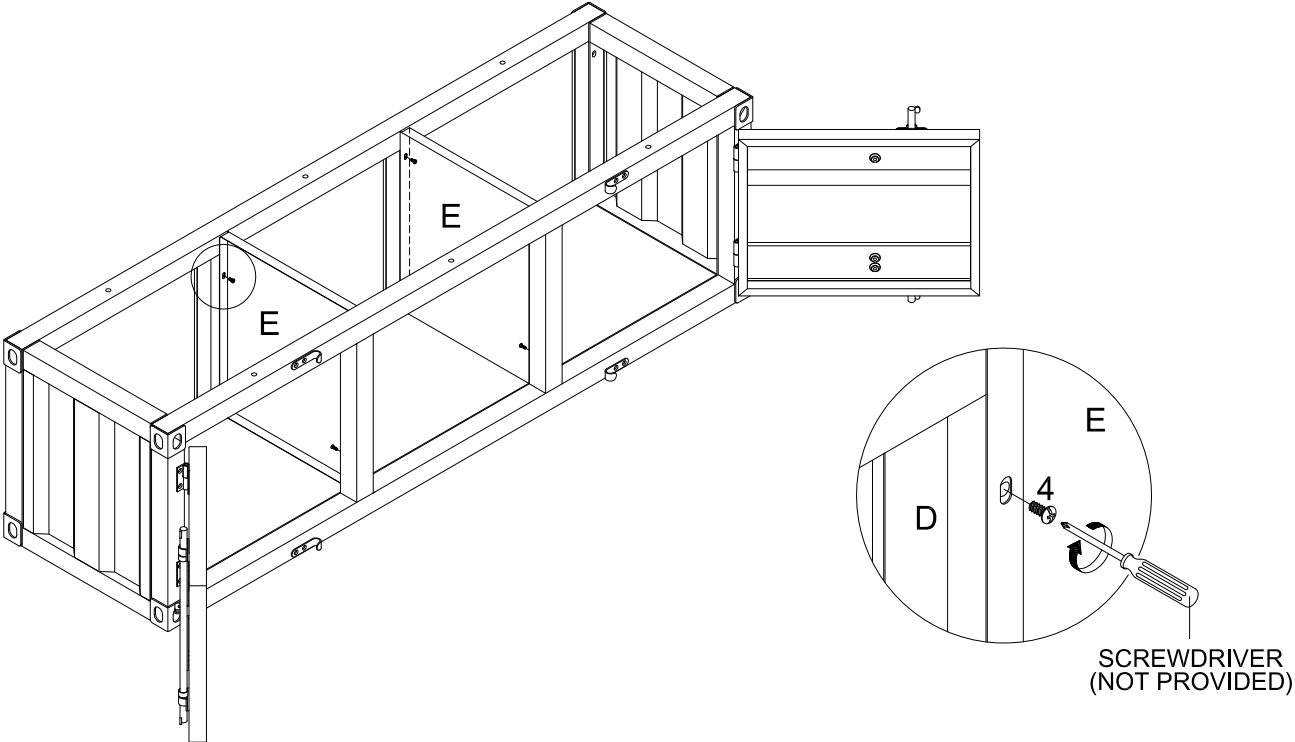


1		8pcs
M6x15		

STEP 3.

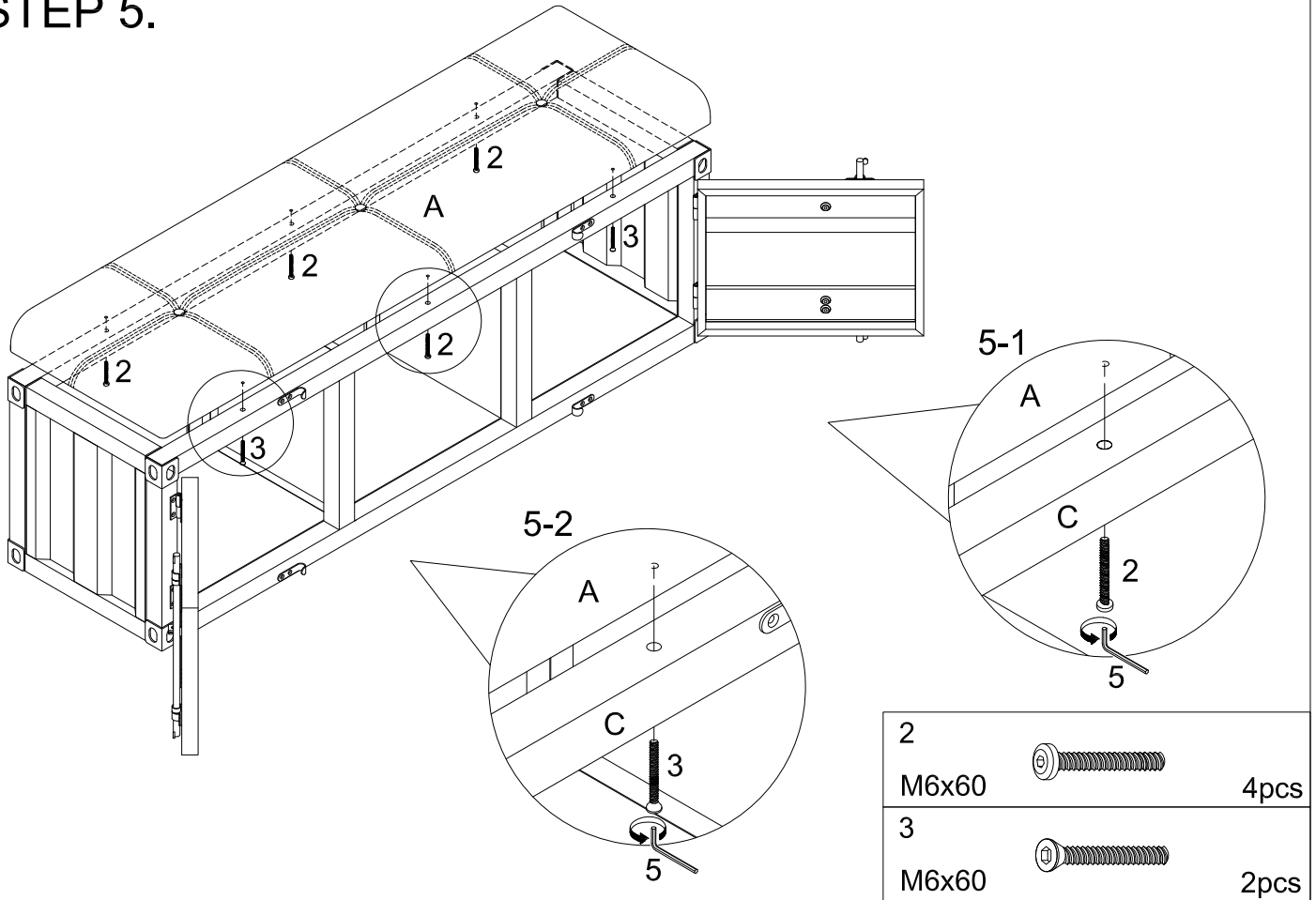


STEP 4.



4		8pcs
M5x10		

STEP 5.



STEP 6.

