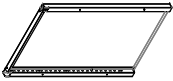

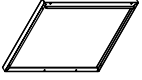
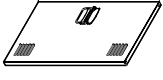
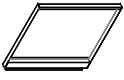
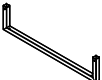






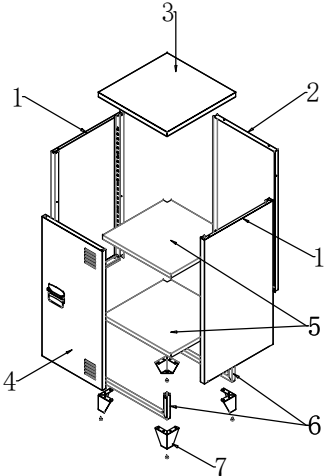
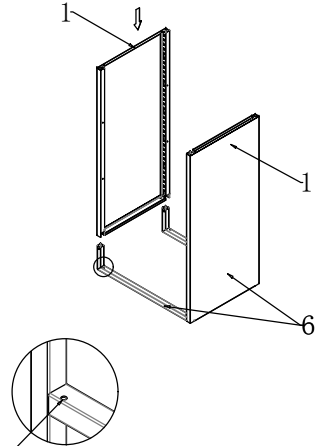


# The List of all parts

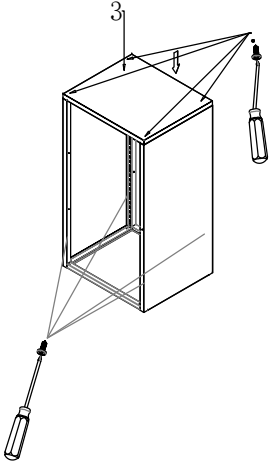
# Assembly Instructions

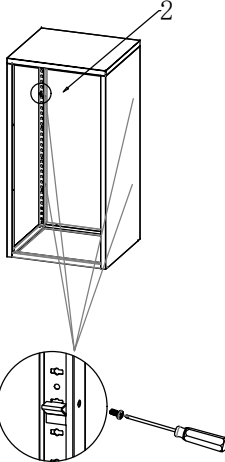
SN.	Q' ty	Name	graphic
01	2	Side panel	
02	1	back panel	
03	1	top panel	
04	1	door panel	
05	2	shelf and bottom panel	
06	2	standing feet	
07	4	Stand on one's feet	
08	4	shelf buckle	
09	1	hinge	
10	30	M5*10	
11	1	spacer	
12	4	shock pad	

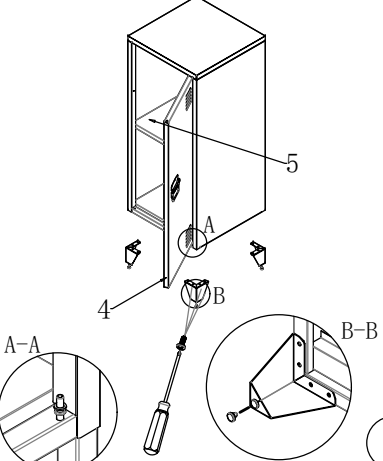


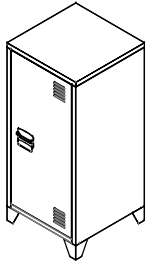


Attention: this hole is closed to outside









①
②

③
④
⑤