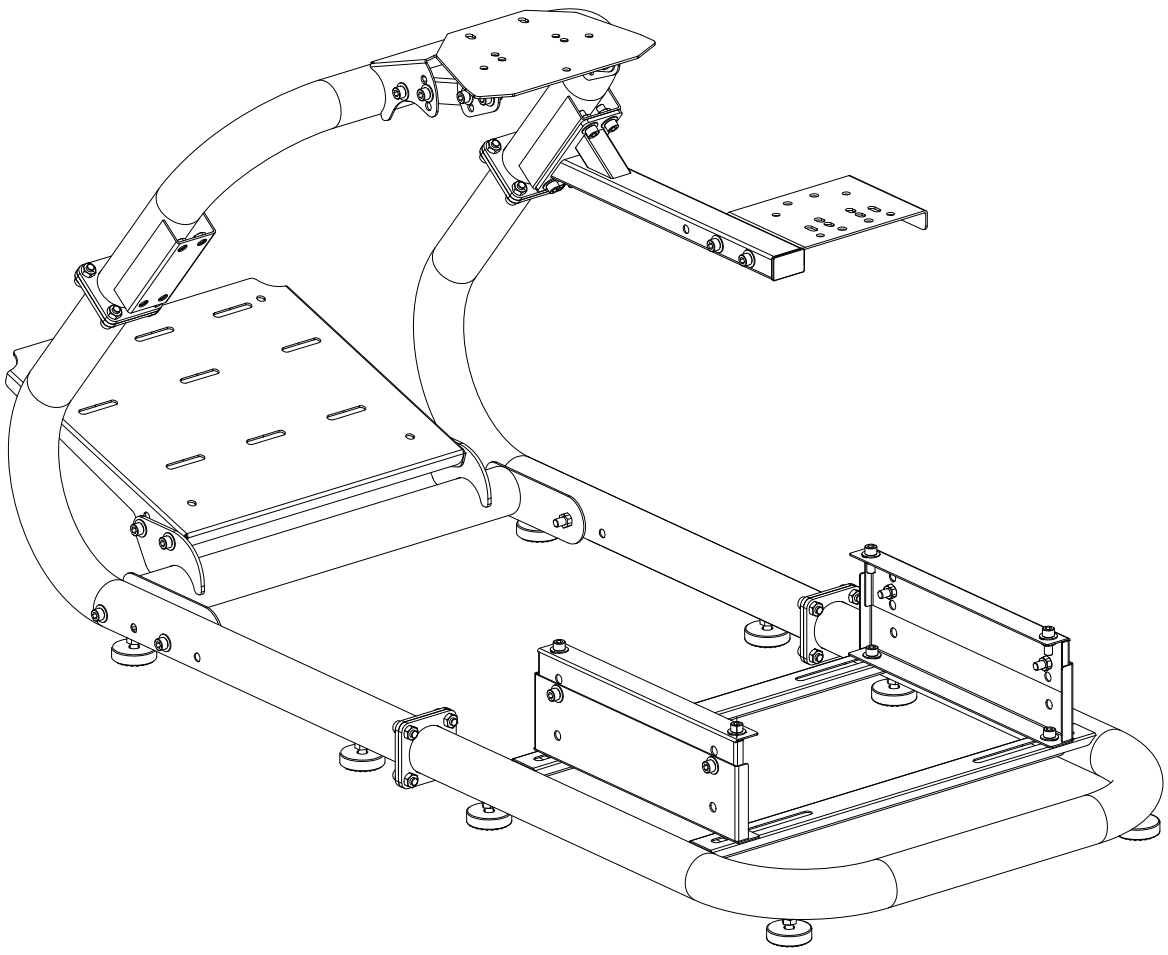
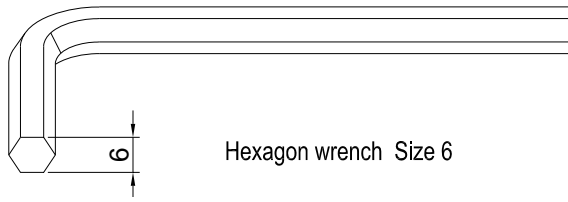

Racing Simulator Stand

Product Assembly Manual

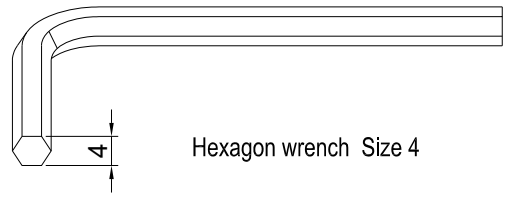


Racing Simulator Stand

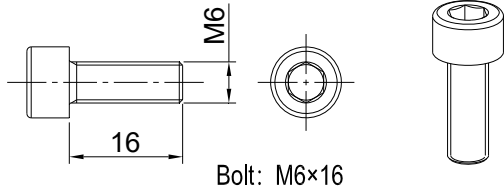
accessories explanation



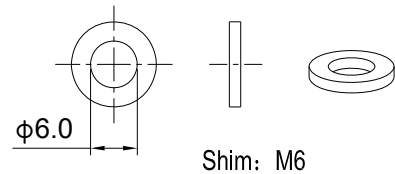
Hexagon wrench Size 6



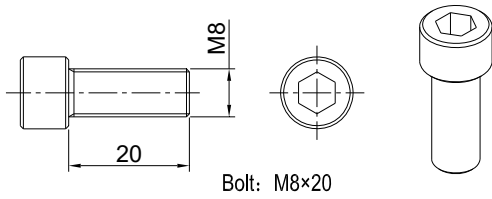
Hexagon wrench Size 4



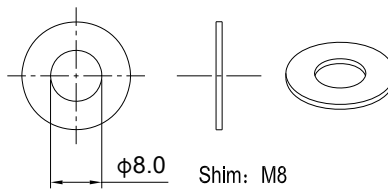
Bolt: M6x16



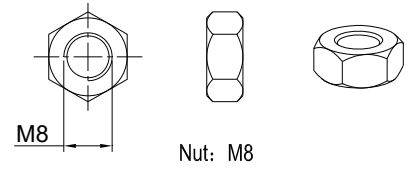
Shim: M6



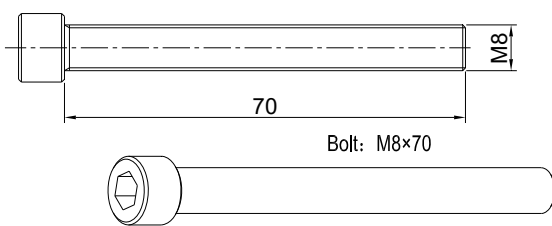
Bolt: M8x20



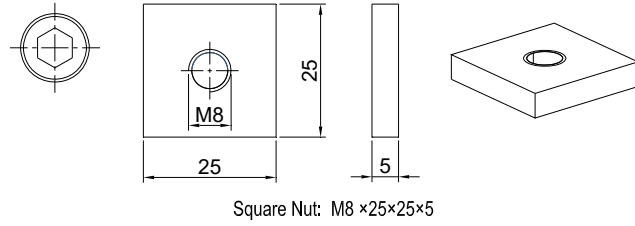
Shim: M8



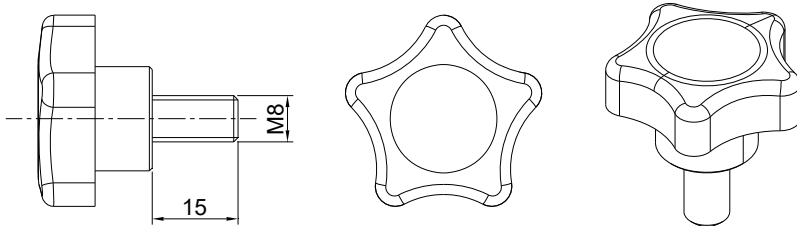
Nut: M8



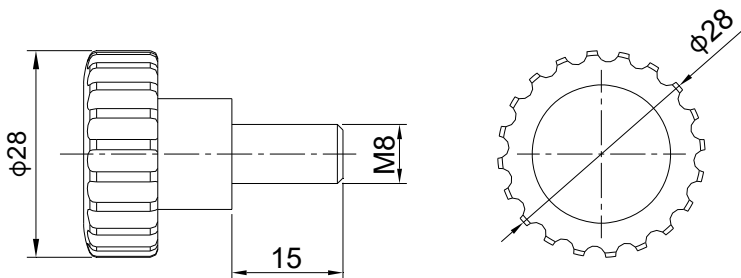
Bolt: M8x70



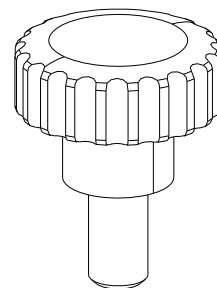
Square Nut: M8 x25x25x5



Handle Bolt: M8x15



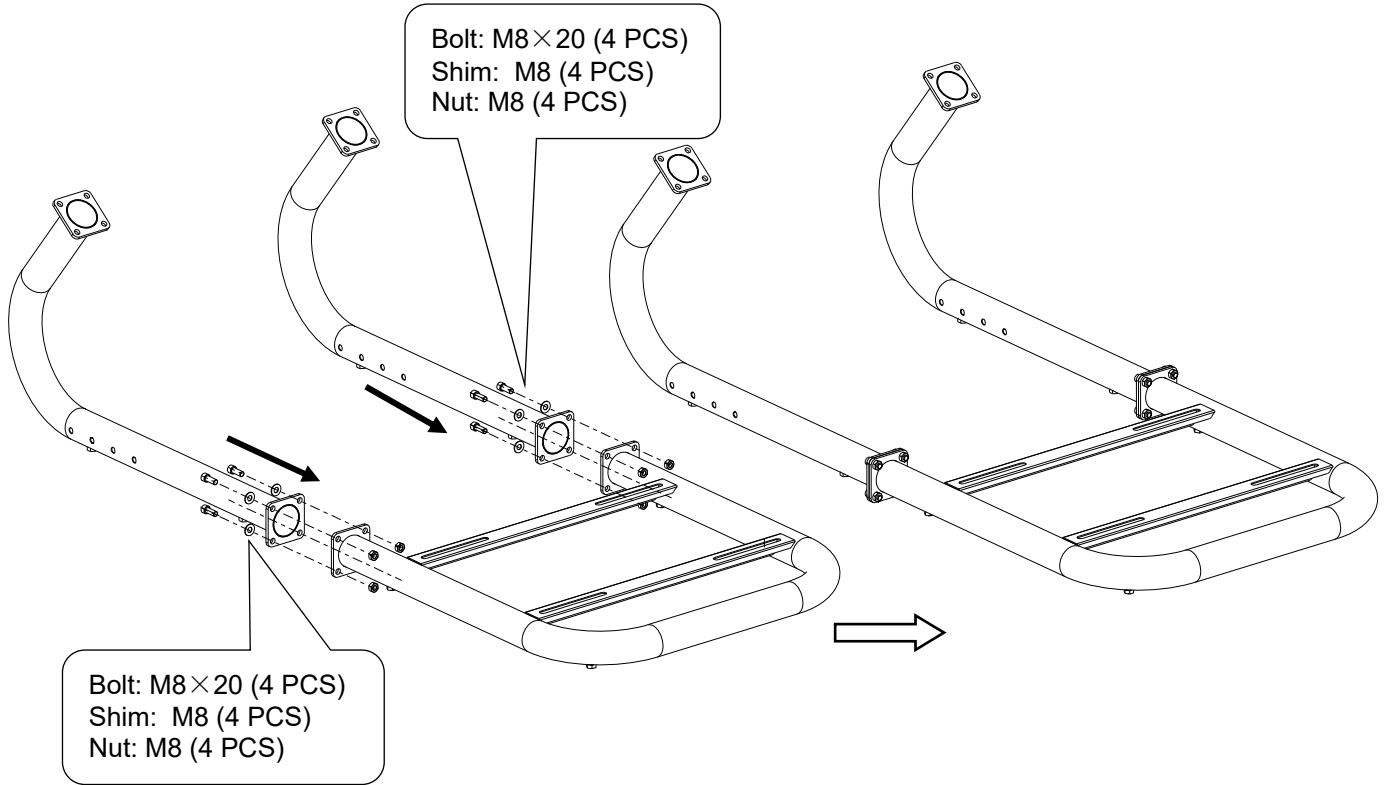
Small Handle Bolt: M8x15



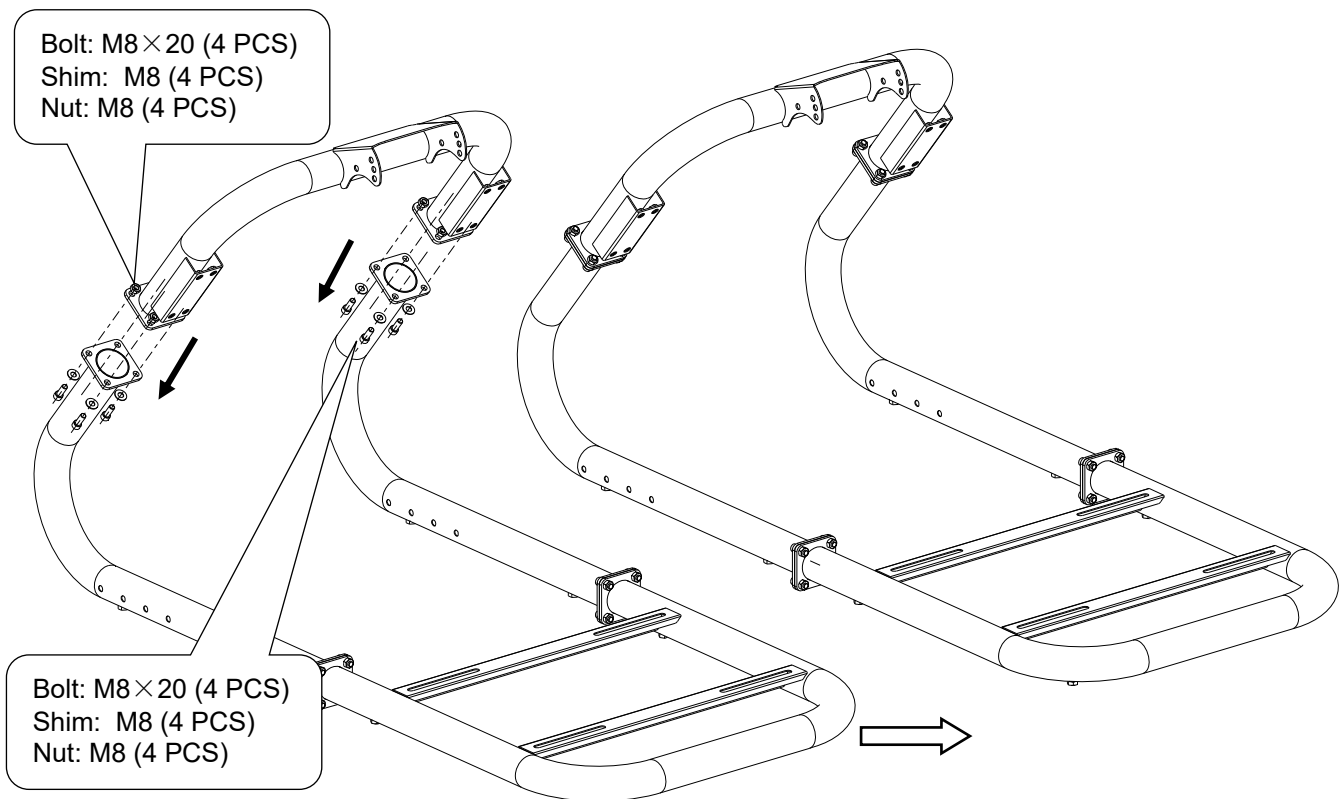
Racing Simulator Stand

Assembly Processes

1. Assemble the elbow bracket on the left and right with 8 pieces of the bolt(M8×20) 、 8 pieces of the shim (M8) and 8 pieces of the nut (M8)

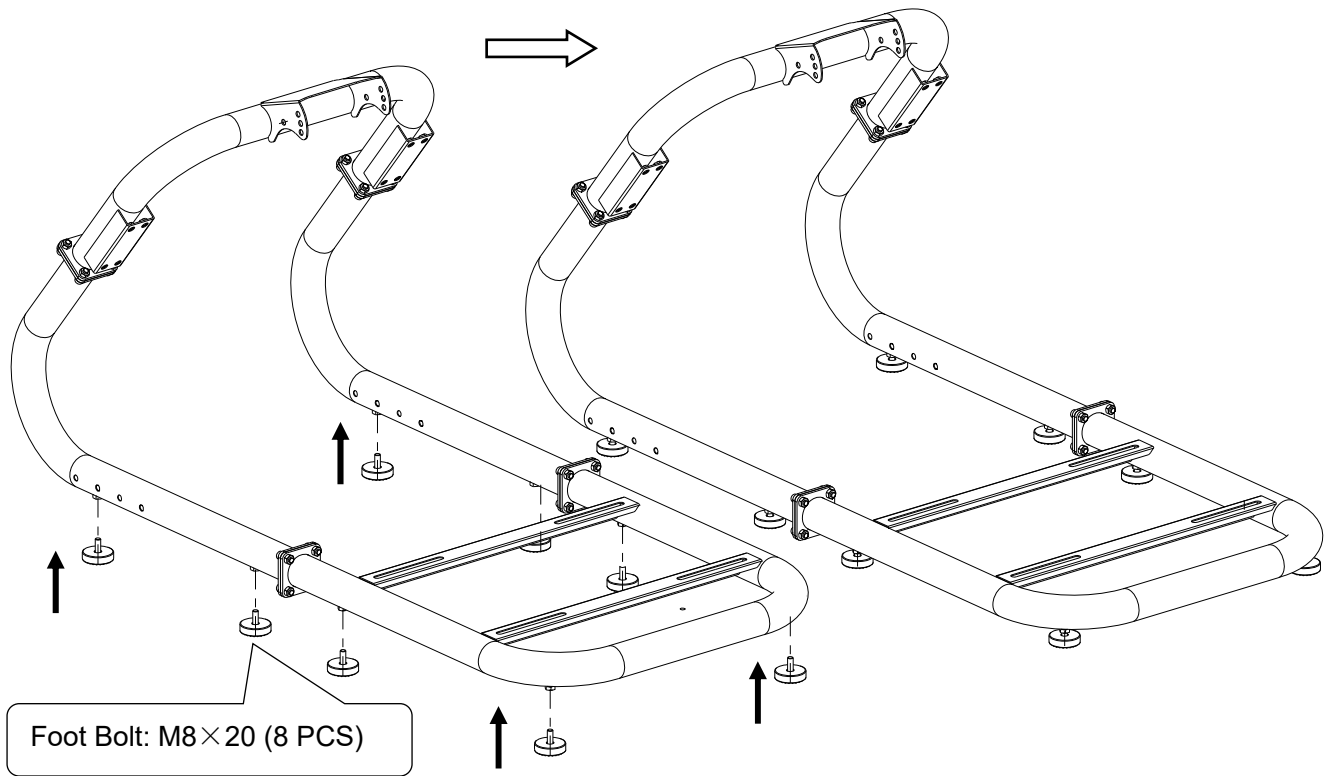


2. Assemble upper fixing bracket with 8 pieces of the bolt(M8×20) 、 8 pieces of the shim (M8) and 8 pieces of the nut (M8)

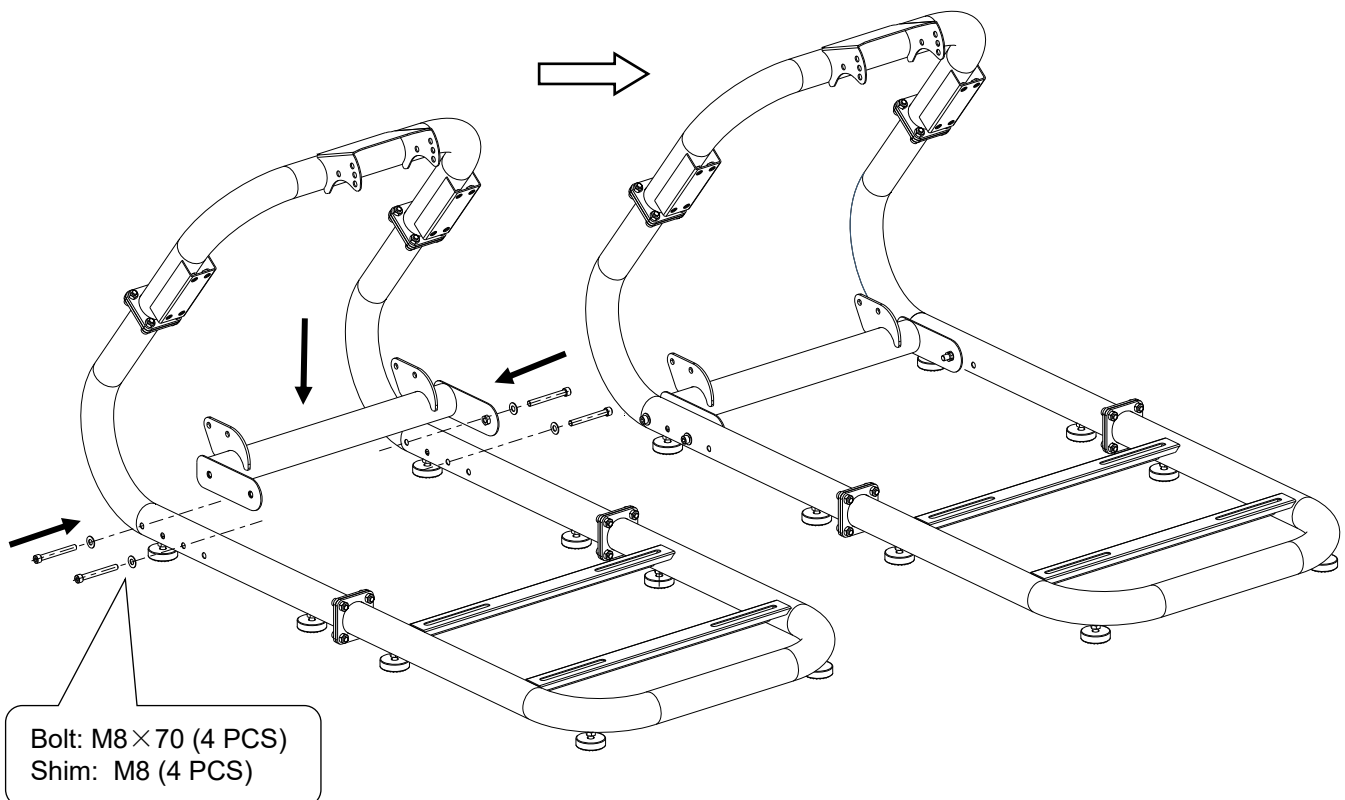


Racing Simulator Stand

3. Assemble the anti-skid foot bolt(8 pcs) to the stand

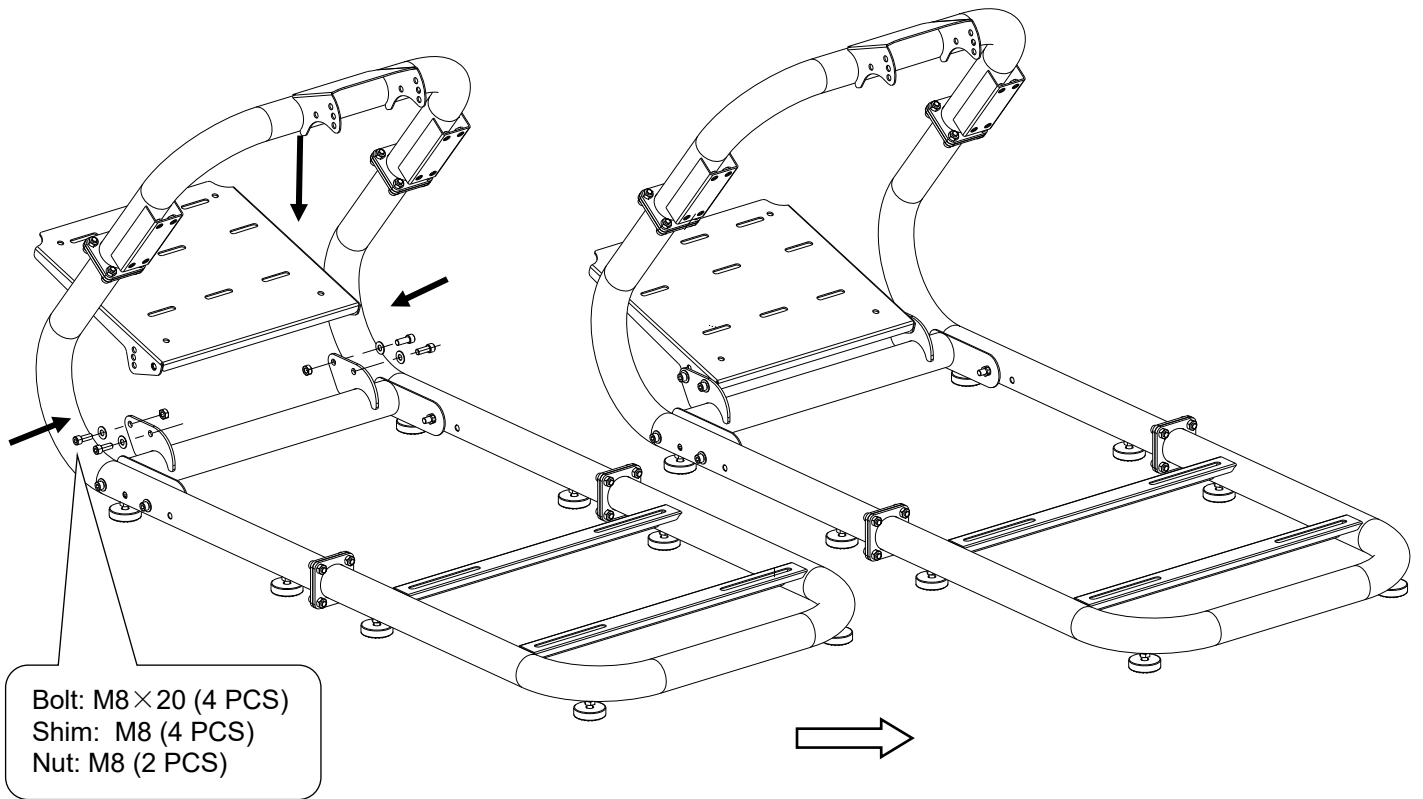


4. Assemble the connecting bracket with 4 pieces of the bolt(M8×70) and 4 pieces of the shim (M8)

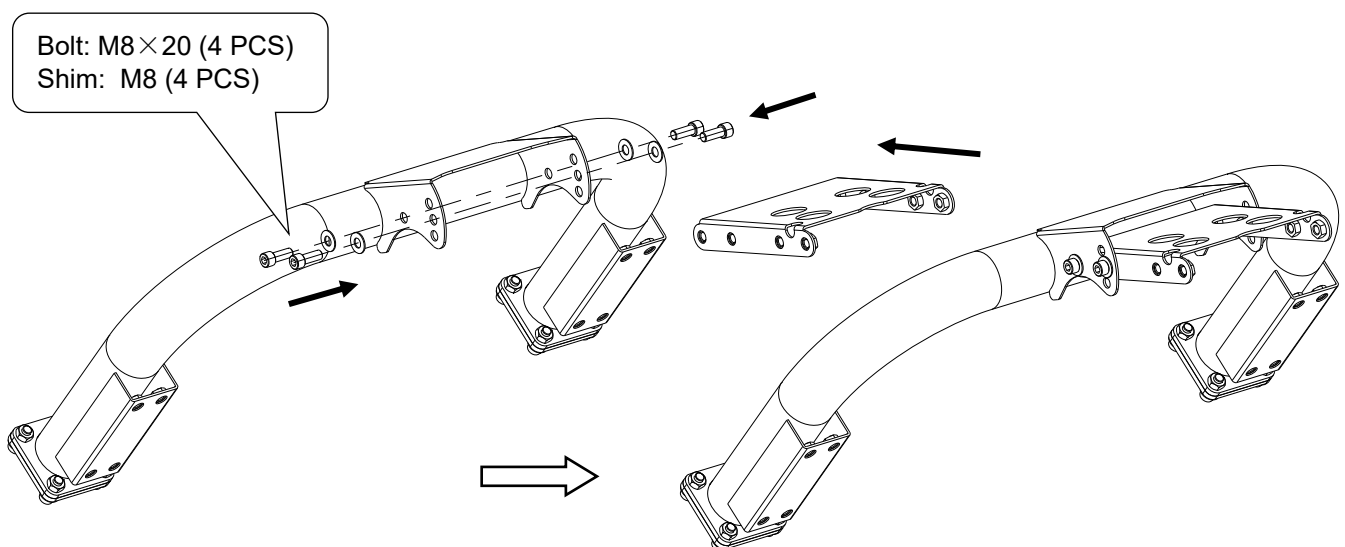


Racing Simulator Stand

5. Assemble pedal connecting bracket with 4 pieces of the bolt(M8×20) 、 4 pieces of the shim (M8) and 2 pieces of the Nut (M8)

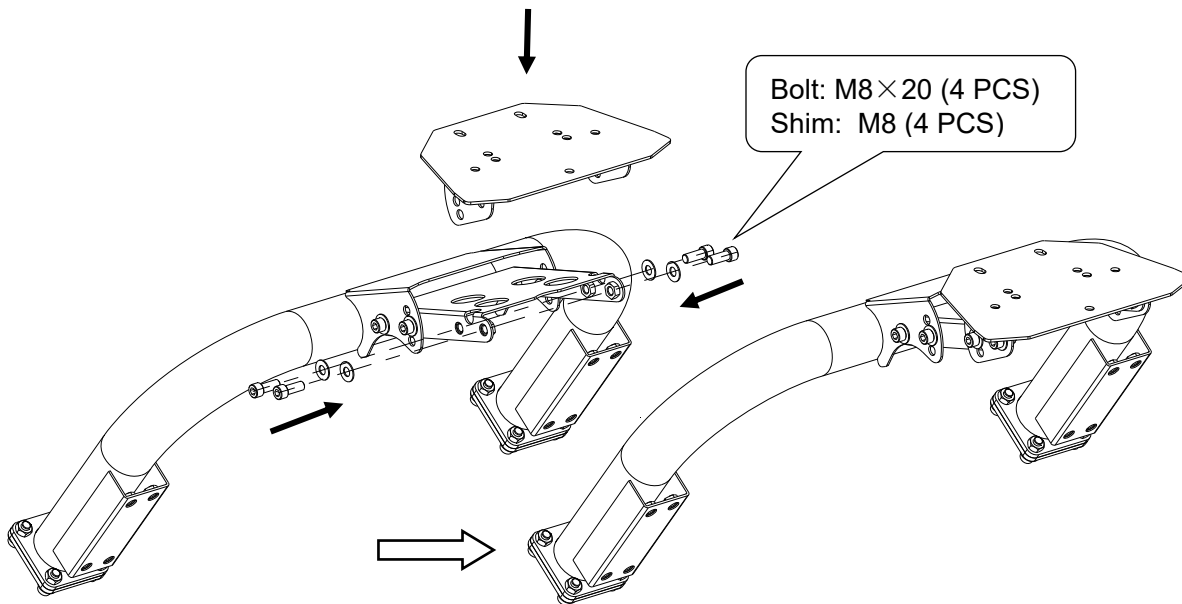


6. Assemble pedal connecting bracket with 4 pieces of the bolt(M8×20) 、 4 pieces of the shim (M8)

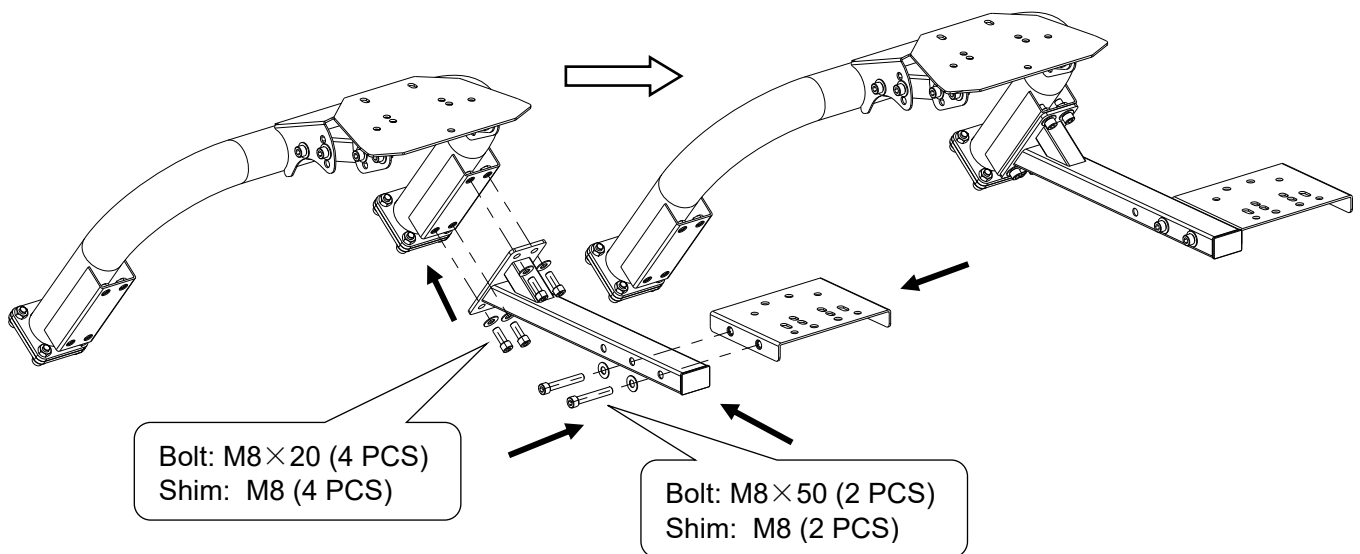


Racing Simulator Stand

7. Assemble the steering wheel fixing bracket with 4 pieces of the bolt (M8×20) 、 4 pieces of the shim (M8)

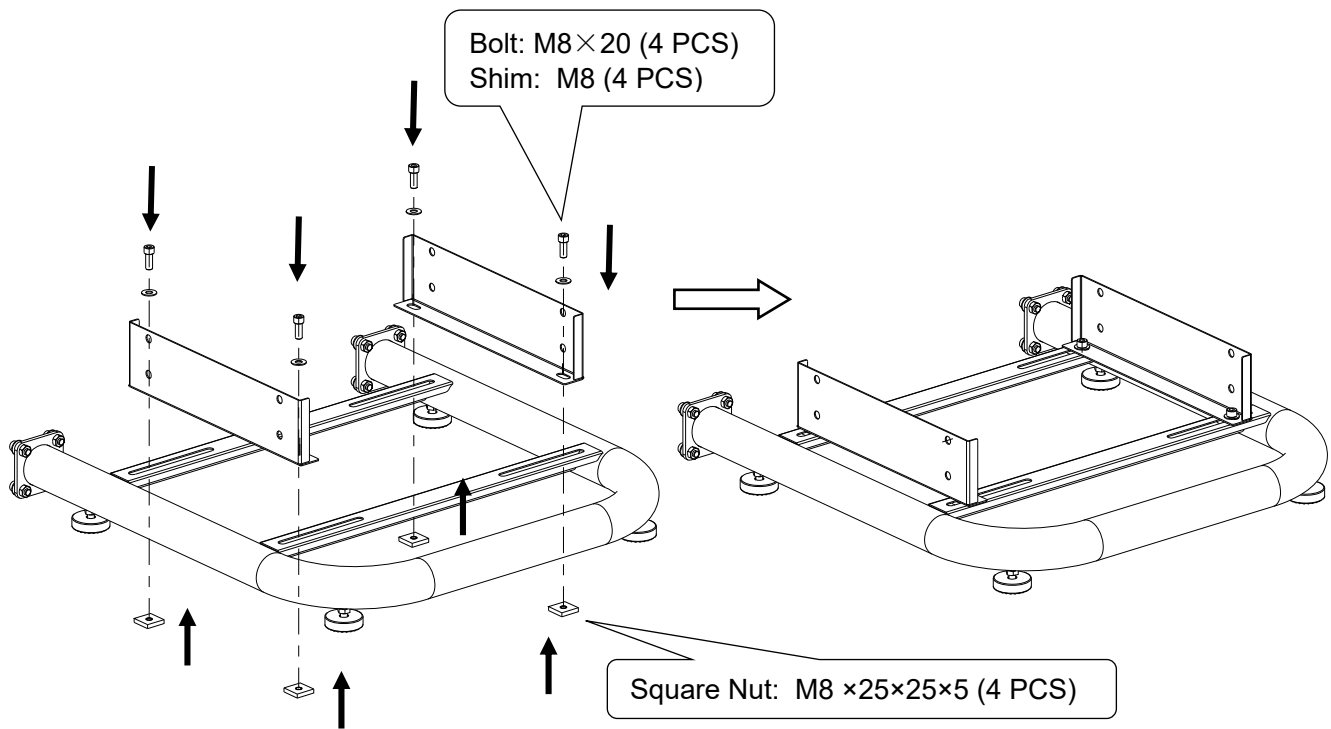


- 8 Assemble the elbow fixing stand and fixing plate on the left or right as your like to the Seat stand with 4 pieces of the bolt (M8×20) 、 6 pieces of the shim (M8) and 2 pieces of the bolt (M8×50)



Racing Simulator Stand

9. Assemble the seat mounting stand with 4 pieces of the bolt (M8×20) 、 4 pieces of the shim (M8) and 4 pieces of the Square Nut (M8 ×25×25×5)



10. Assemble the seat adjustment stand with 4 pieces of the bolt (M8×20) 、 4 pieces of the shim (M8) and 4 pieces of the nut (M8)

