

WARNING!!

Furniture Tipping Risk.

Serious risk of severe or fatal crush injuries can occur from furniture tipping over if not secured.

Children like to climb on furniture and Unsecured furniture can pose a serious danger.

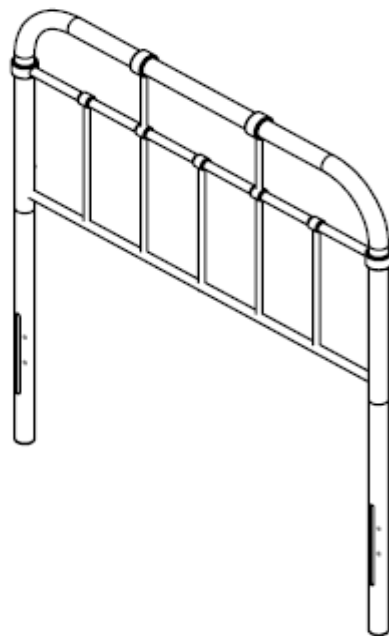
Please follow all instructions and install the tip-over restraints provided.

Assembly Instructions

Caution : You must read this before you proceed

Please look in the velcro pouch for hardware packs and legs.

HEADBOARD



WARNING
STRANGULATION HAZARD.

NEVER place bed near windows where cords from blinds or drapes may strangle a child.

NEVER suspend strings over bed.

NEVER place items with a string, cord, or ribbon, such as hood strings or pacifier cords, around a child's neck.

These items may catch on bed parts.

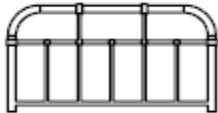

ALWAYS follow assembly instructions.

WARNING!




Not intended for children under the age of six. INFANTS HAVE DIED FROM BECOMING ENTRAPPED IN BEDS. Openings in and between bed parts can entrap the neck and head of a small child. NEVER use bed for child under the age of six.









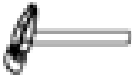

The mattress must be appropriately sized for the bed. If the mattress is undersized, dangerous gaps can exist and a person can become entrapped or entangled in the frame and suffocate.

Parts List

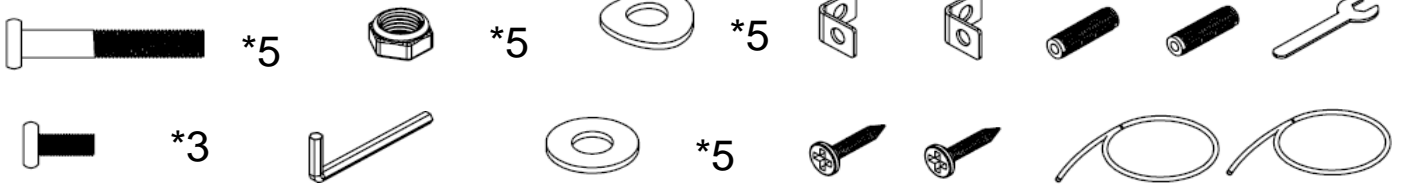
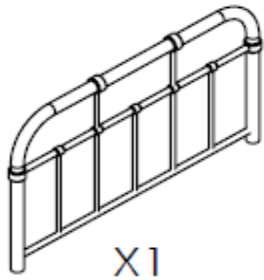
Label	Picture	Description	QTY
A		Headboard	1
B		Headboard Foot	2

Hardware

Label	Picture	Description	QTY
①		Bolt(M8*50mm)	5
②		Bolt(M6*15mm)	3
③		Nut(M8)	5

④		Allen Key	1
⑤		Washer(8mm)	5
⑥		Washer(8mm)	5
⑦		Metal Bracket	2
⑧		Self Tapping Screw (M4*35mm)	2
⑨		Plastic Anchor	2
⑩		Restraint Strap	2
⑪		Wrench	1
⑫		Hammer (not provided)	1
⑬		Power Drill (not provided)	1

Assembly Preparation



- Read instructions, cover to cover-



- Have 2 adults on hand for assembly-



- Do not assemble on flooring or carpet-



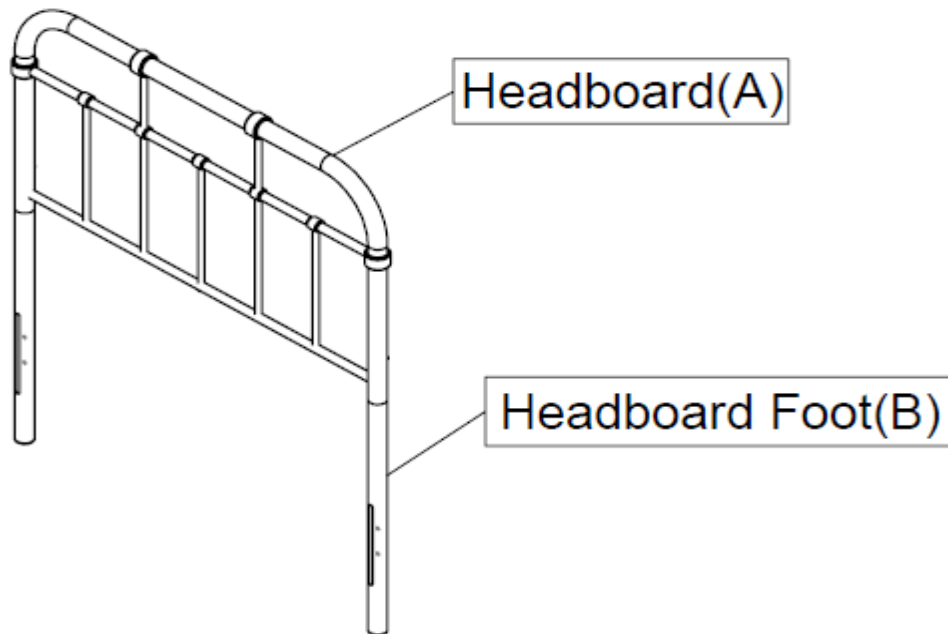
- Assemble on a clean non-marring surface (packing foam)-



- Save all packaging until finished-

Assembly Steps

Overview

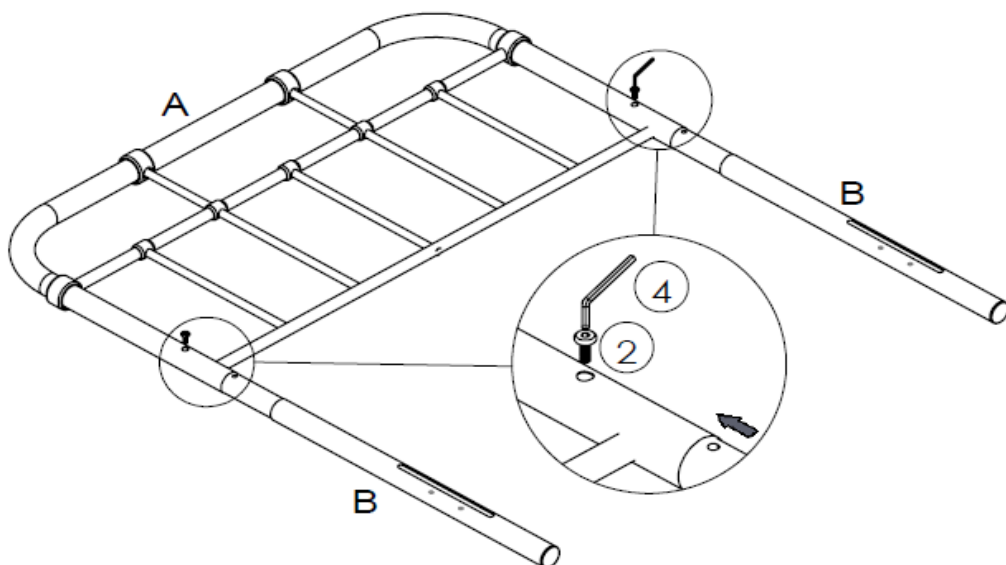


This **headboard** has multiple parts and may require up to some 30 minutes to assemble.

To give you an overview of the **headboard** parts, the above picture is to help you put the various parts into perspective.

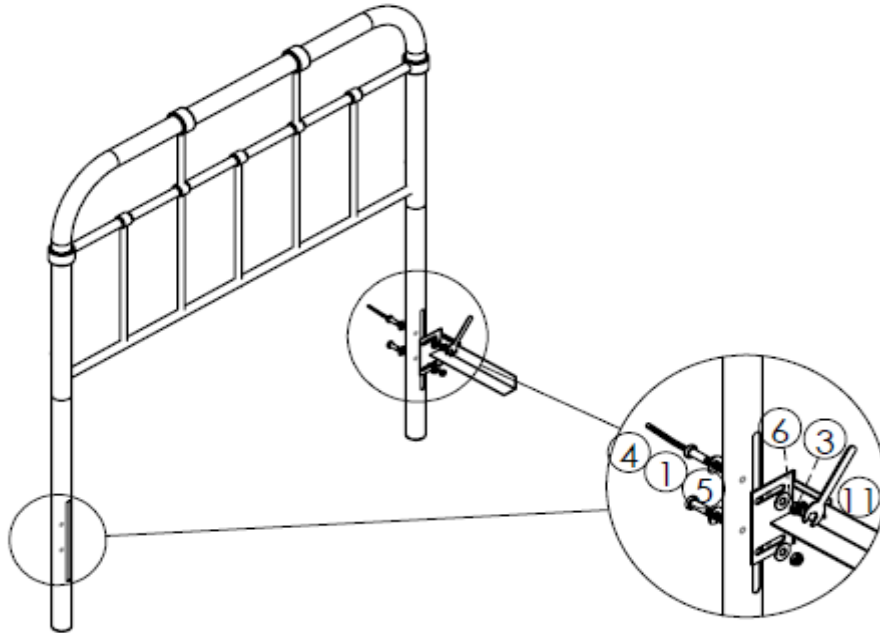
Please read through the instructions herebelow to familiarise the parts and steps before assembly.

Step 1



REMOVE all **headboard** parts from packaging and lay on a soft, flat surface. Insert Headboard Foot(B) into Headboard(A) using Bolt(②) with Allen key(④) as shown in above picture.

Step 2



To assemble the Headboard to your platform:

With assistant to you adult partner.

Attach the Headboard to the Mattress Support Frame using Bolts(①), Washers(⑤), Washers(⑥) and Nuts(③) with Wrench(⑪).

After all parts are assembled, tighten all bolts firmly

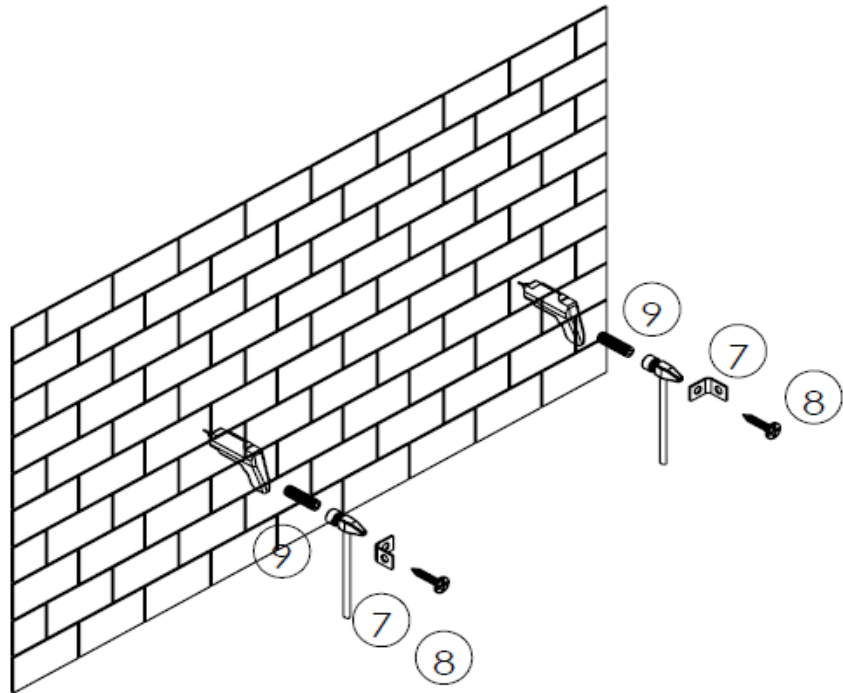


WARNING

Serious or fatal crushing injuries can occur from tipping furniture. To help prevent tip-over: ALWAYS secure this furniture to the wall using a Safety Restraint Device. See product instructions for more ways to help prevent furniture tip-over.

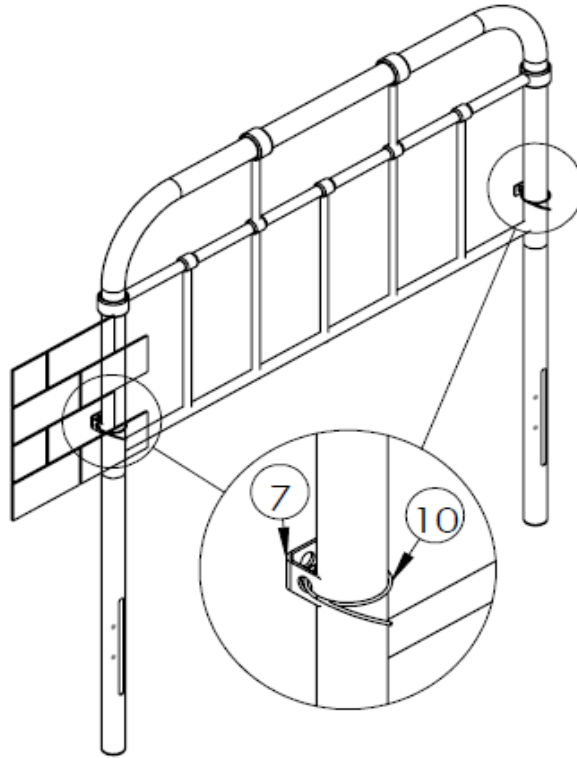
Headboard Restraint Device Installation Instruction

Step 3



Drill two mounting positions on wall with Power Drill(13)
Put the Headboard against the wall where desired and mark the location for the Metal Brackets(7) to be the same height as the top of the Headboard.
Insert the Plastic Anchor(9) into the wall to the location marked with Hammer(12), and fix Metal bracket(7) to Plastic Anchor(9) with Screw(8) by using screw driver.

Step 4














Move the Headboard back against wall.

Pull the Restraint Straps(⑩) through the Metal Brackets(⑦) on the wall and Headboard(A) one by one, and pull the Restraint Straps(⑩) tight.

Your **Headboard** is ready for use.

Caution: This **headboard** can only be used on a flat, level surface.

Care & Maintenance

- ✓  • Furniture may scratch floors. We recommend using furniture pads to protect your floors.
- ⊘  • Do not put hot items directly on furniture surface.
- ⊘  • Do not clean furniture with harsh cleansers or polish.
- ⊘  • Do not place furniture under direct sunlight.
- ⊘  • Do not place furniture near heating or cooling vents.
- ⊘  • Do not write on furniture without a padded barrier to protect the surface.
- ⊘  • Do not place furniture outside . For indoor use only.
- ⊘  • Not for commercial use. For residential use only.
- ⊘  • Stains may be removed with mild soap solution and damp cloth.
- ⊘  • Children should not climb or jump on the furniture.
- ✓  • Dust and pick-up spills using a clean, non-colored, lint-free cloth.