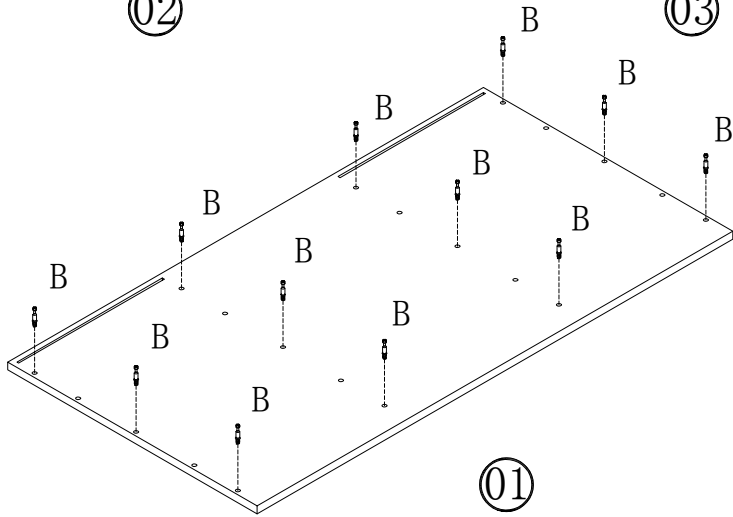
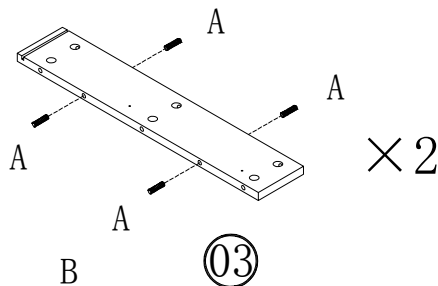
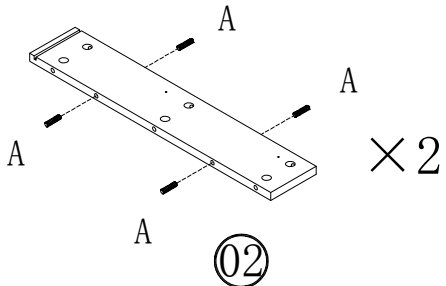
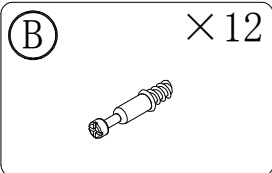
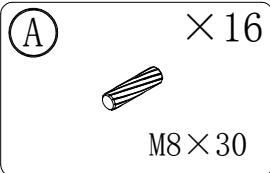
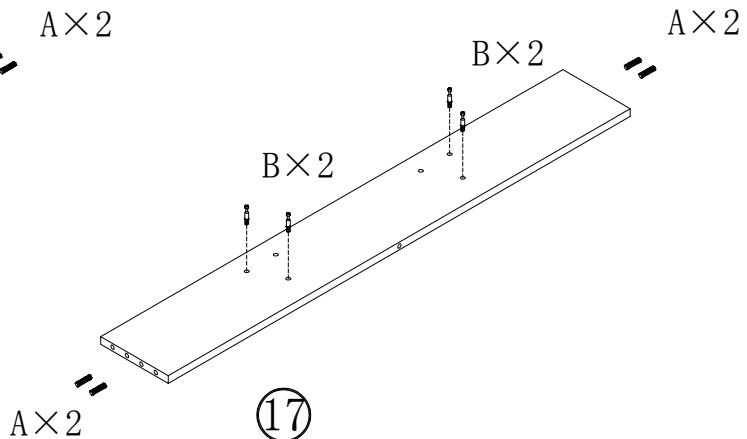
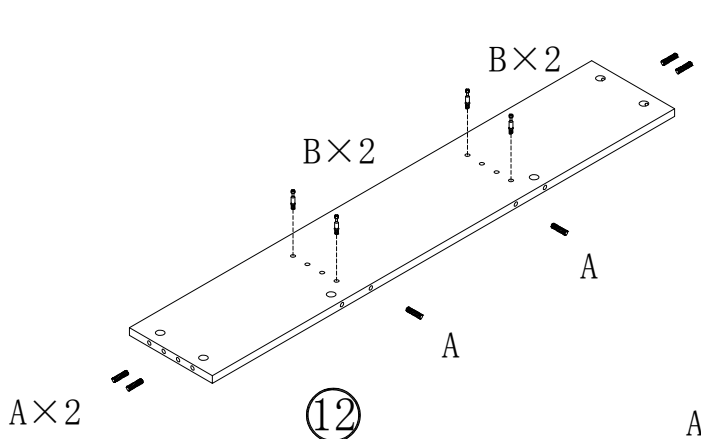
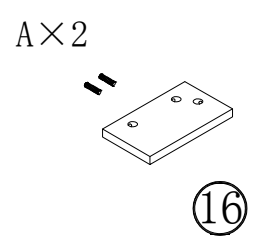
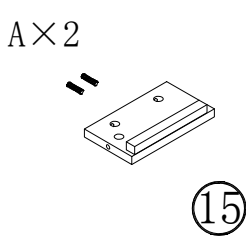
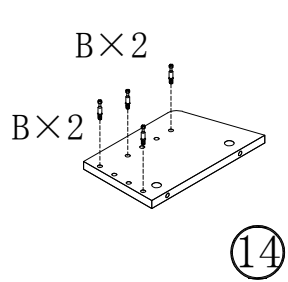
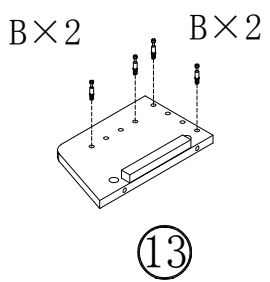
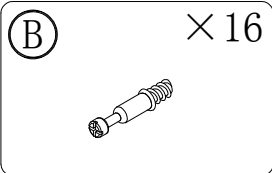
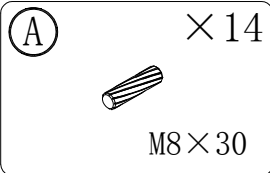


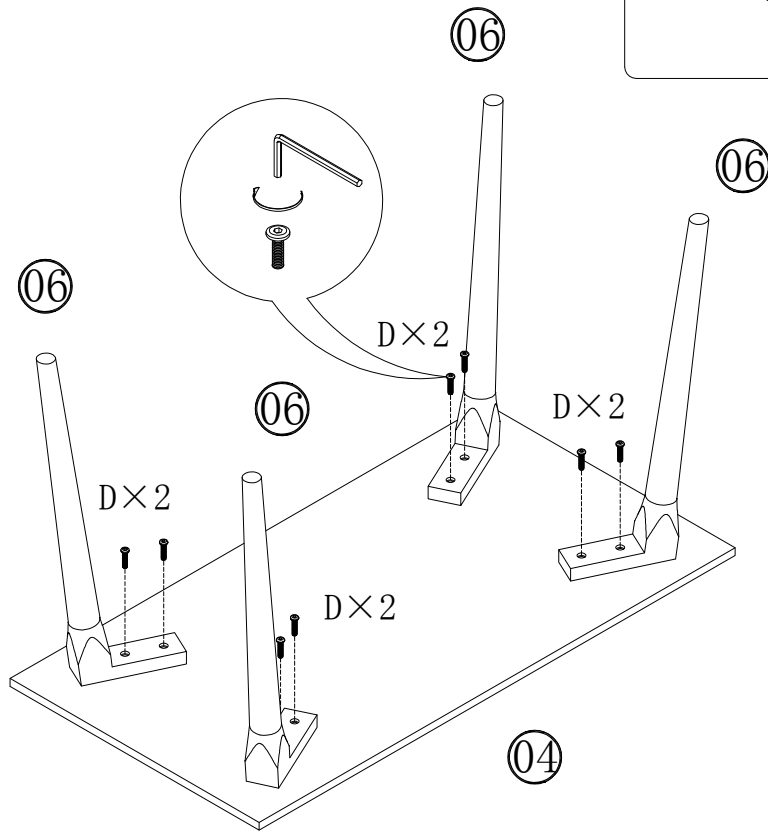
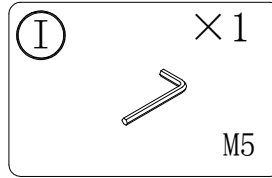
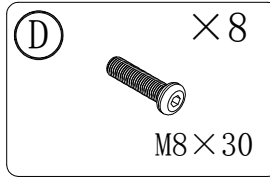
1



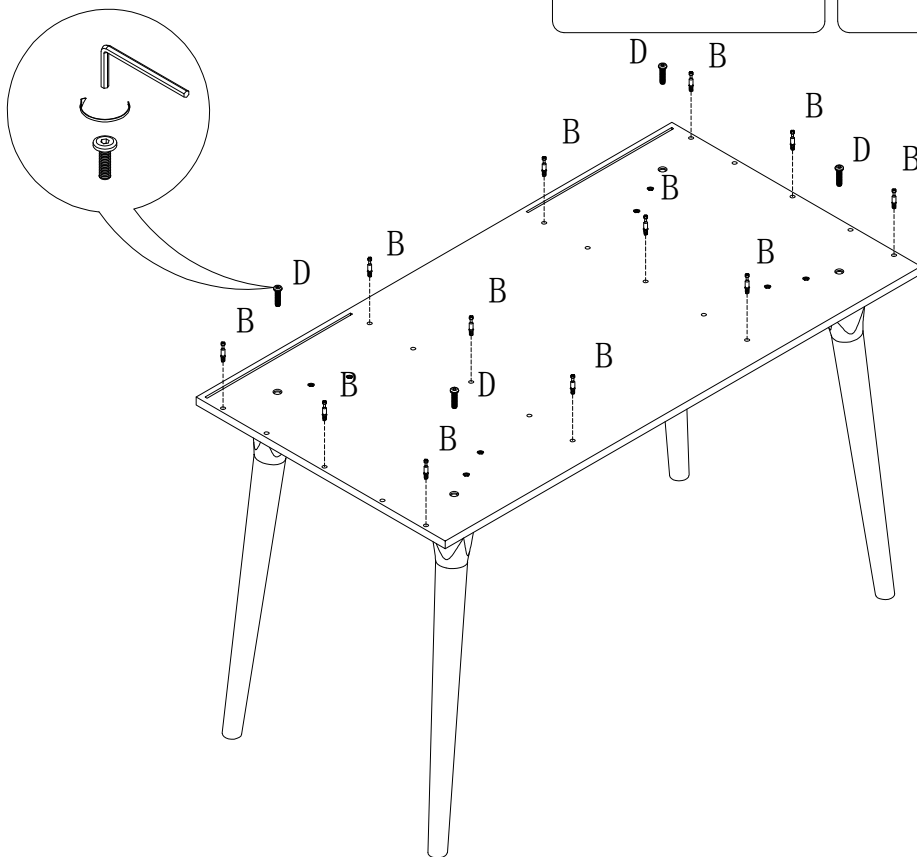
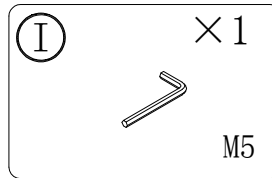
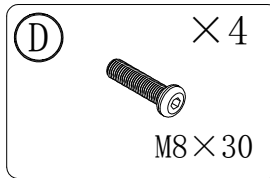
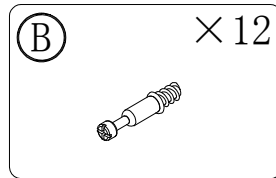
2



3


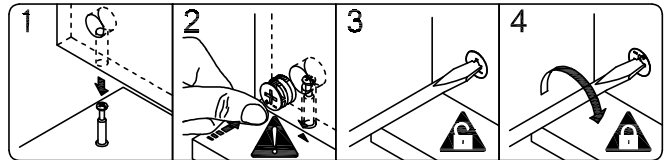
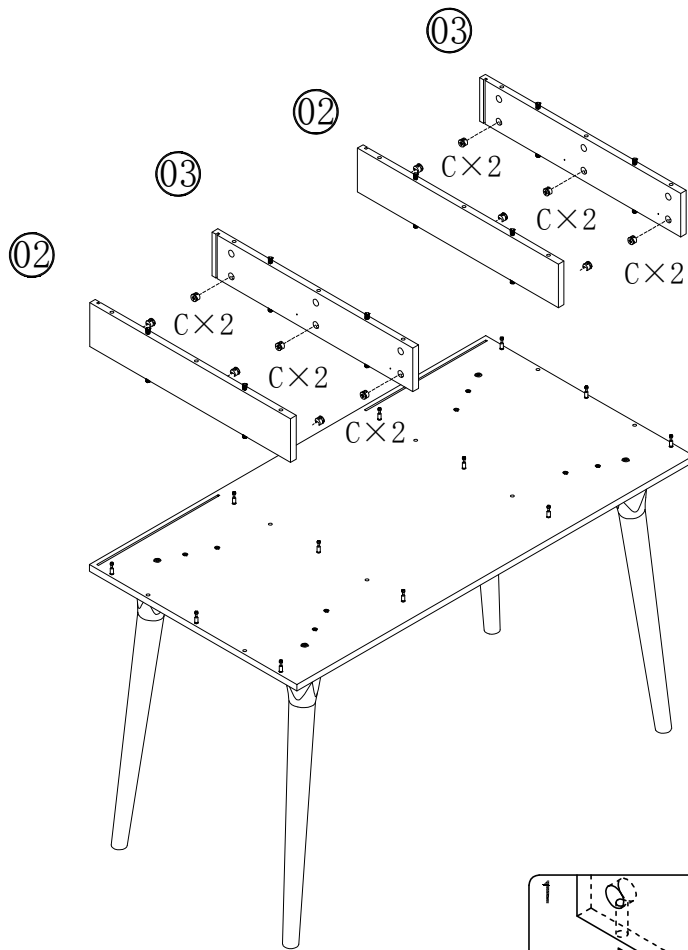


4



5

(C) × 12


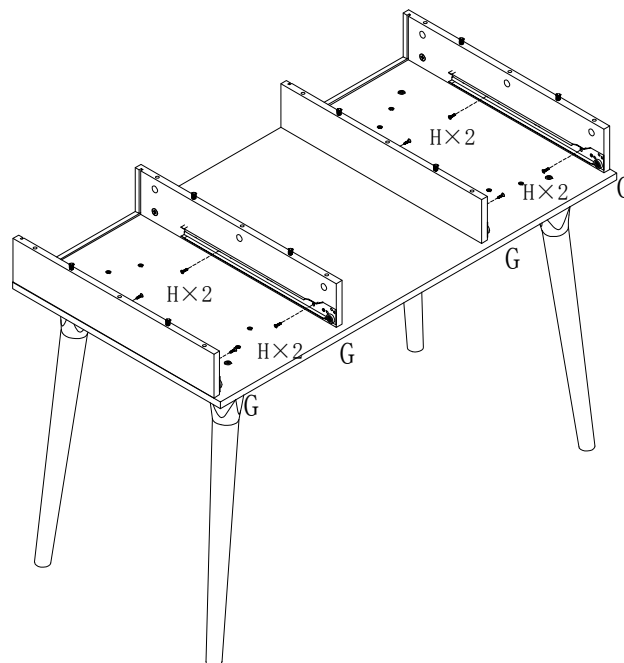



6

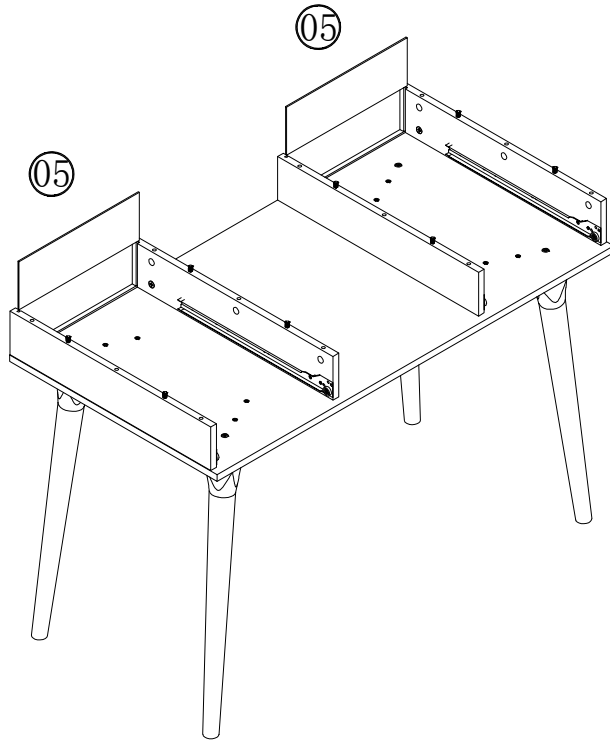
(G) × 2

(H) × 8

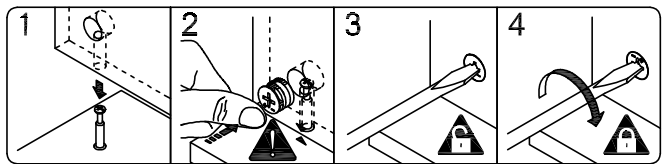
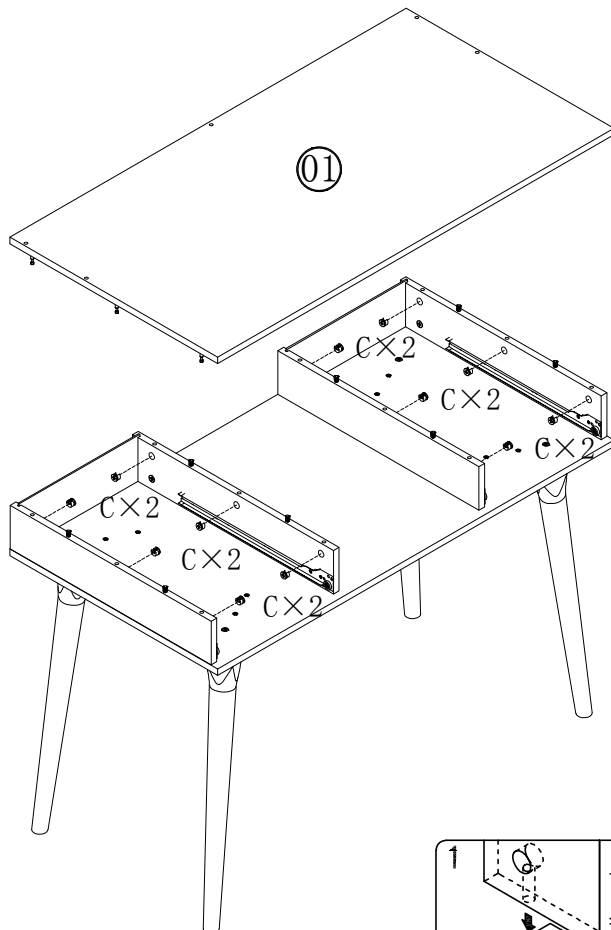
M3.5 × 15

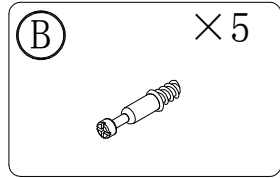
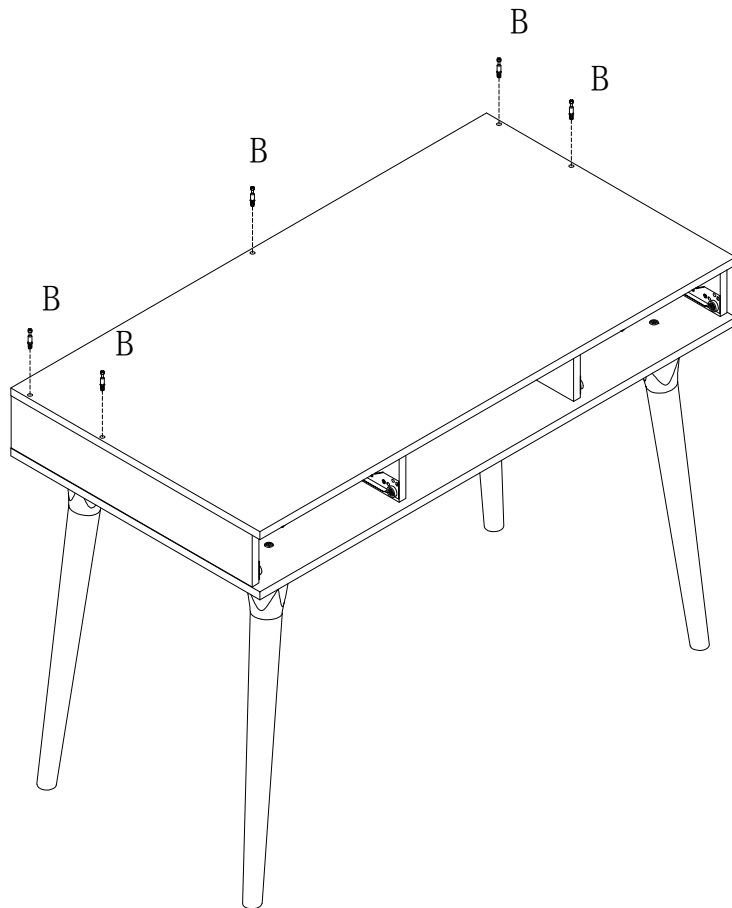
7



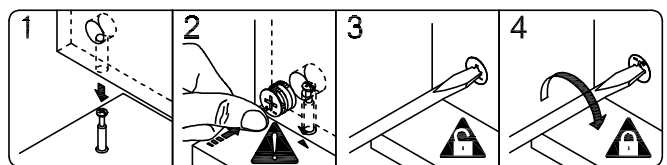
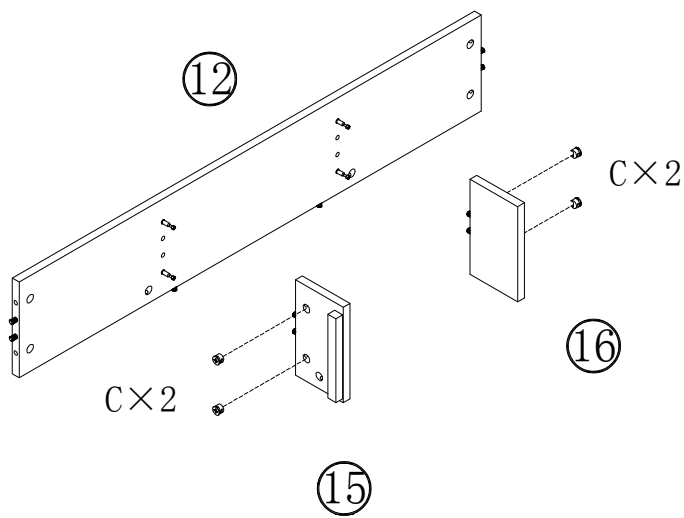
8



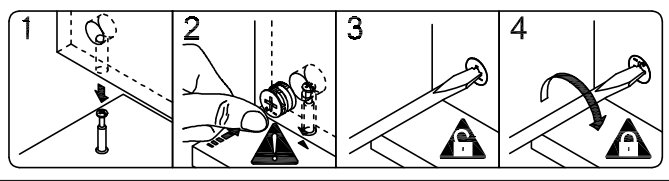
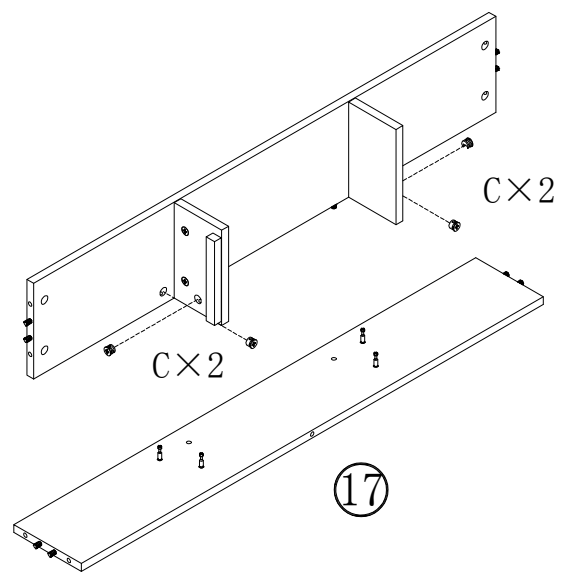
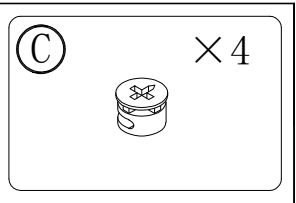
9



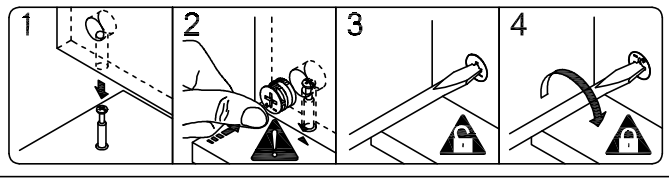
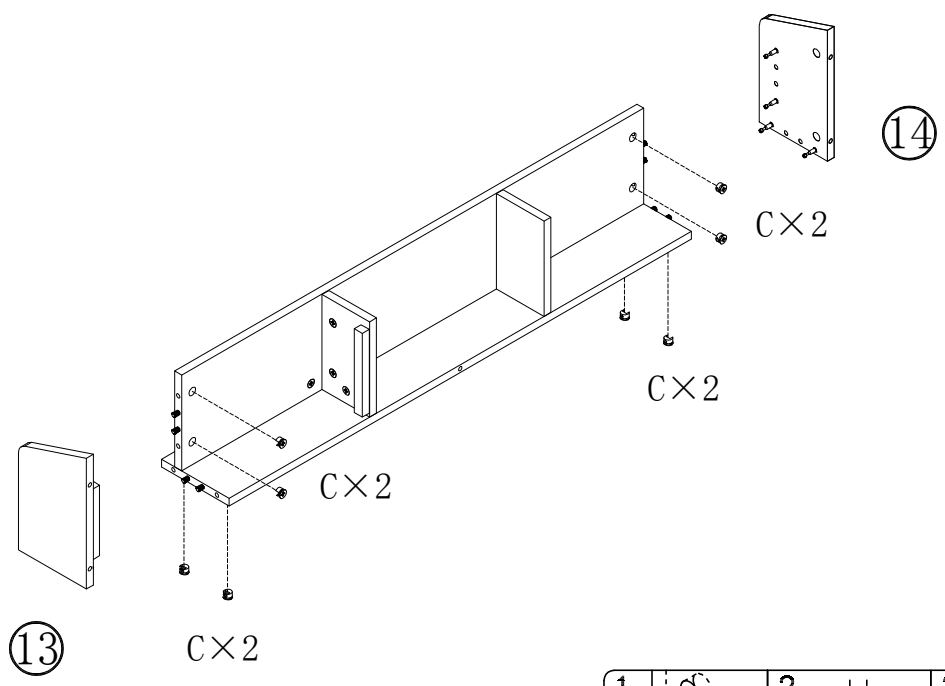
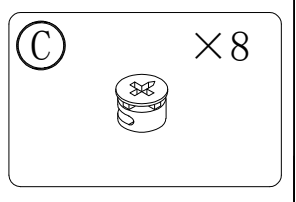
10



11


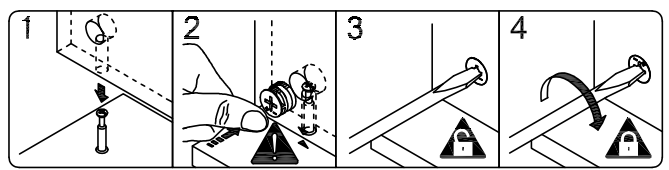
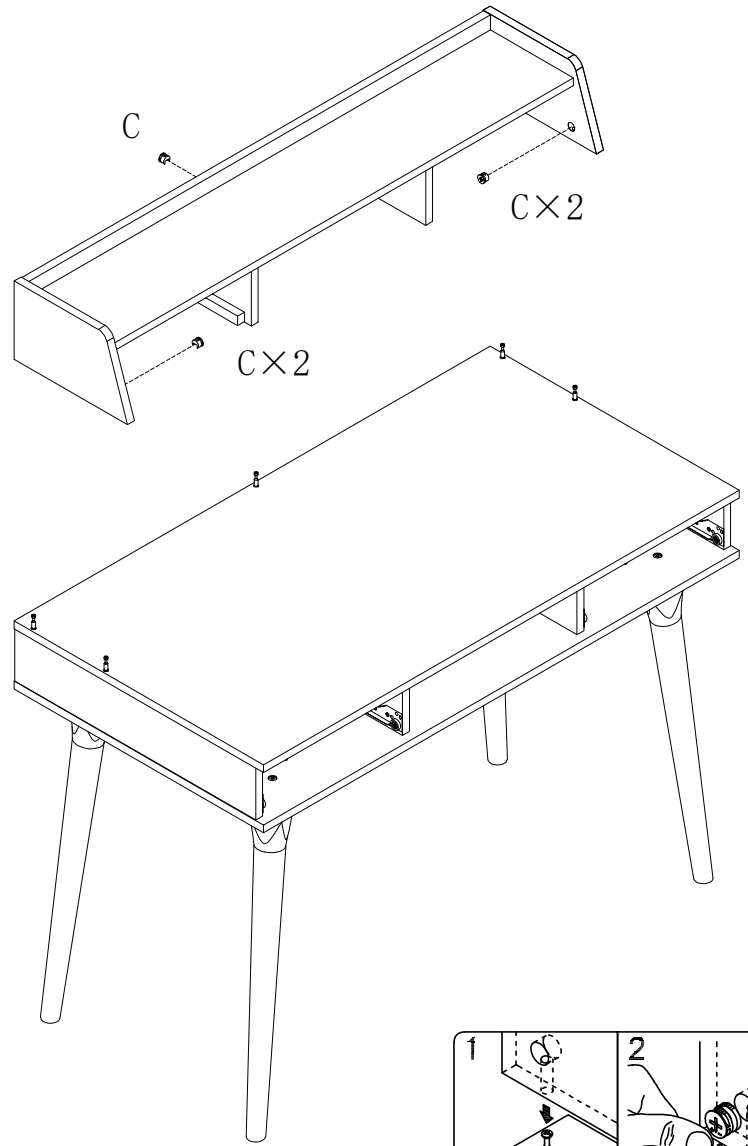


12



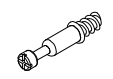
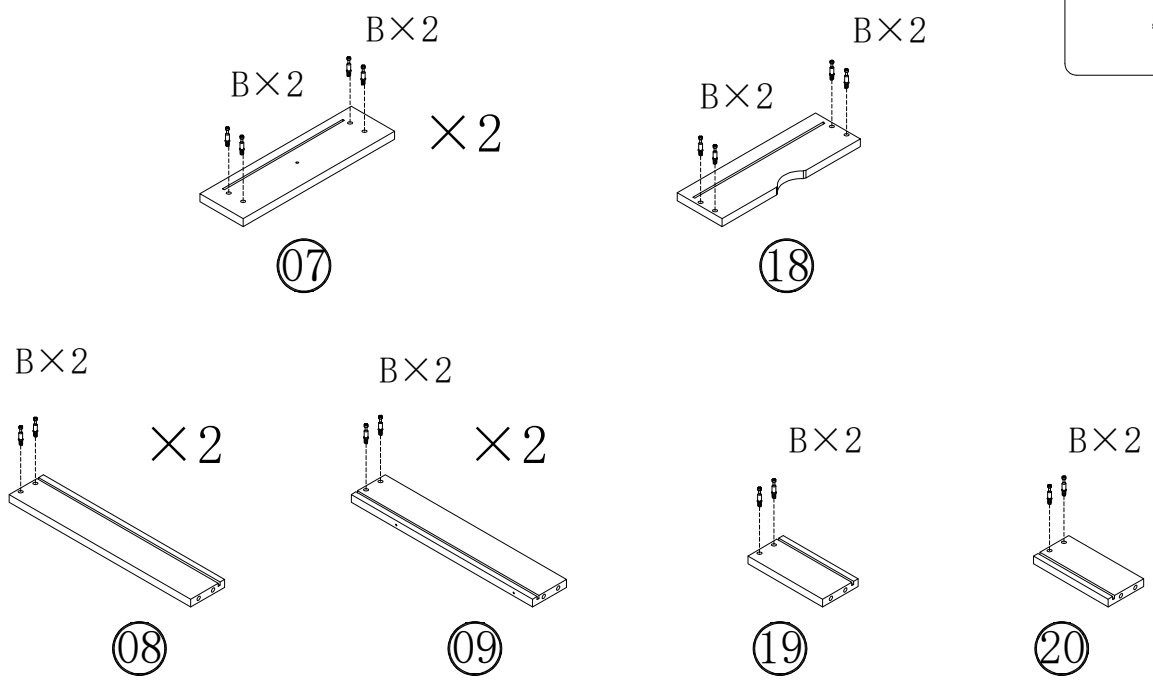
13

ⓐ ×5


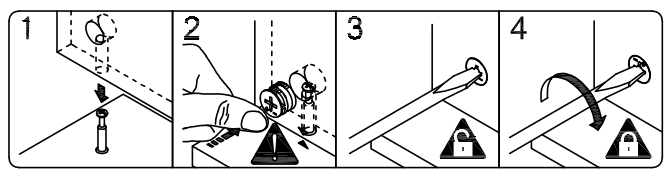
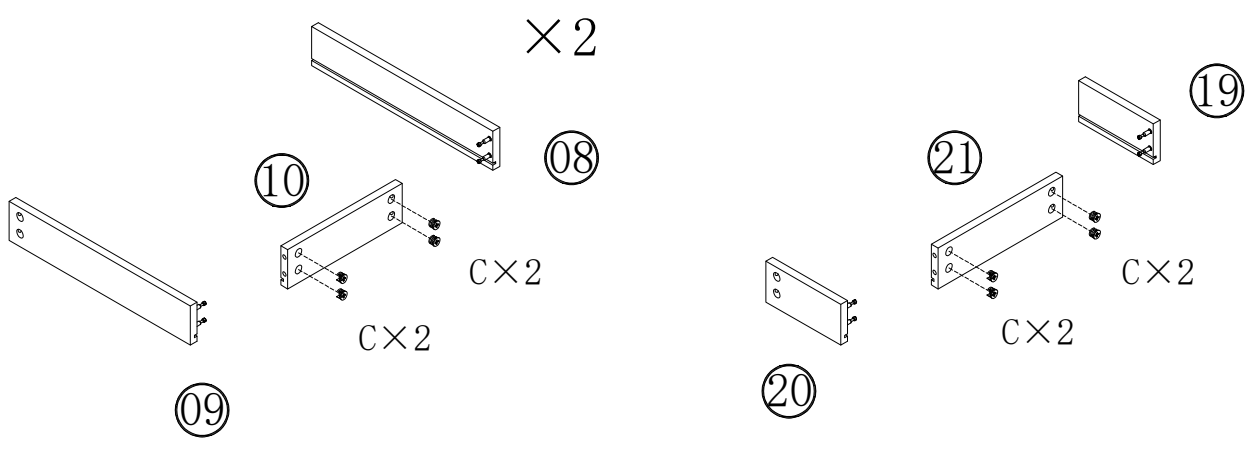
14

ⓑ ×24


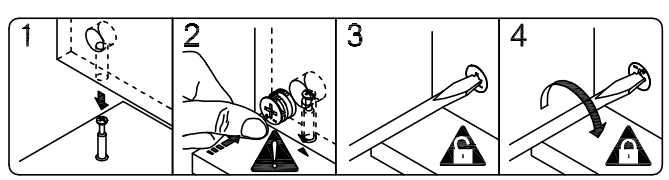
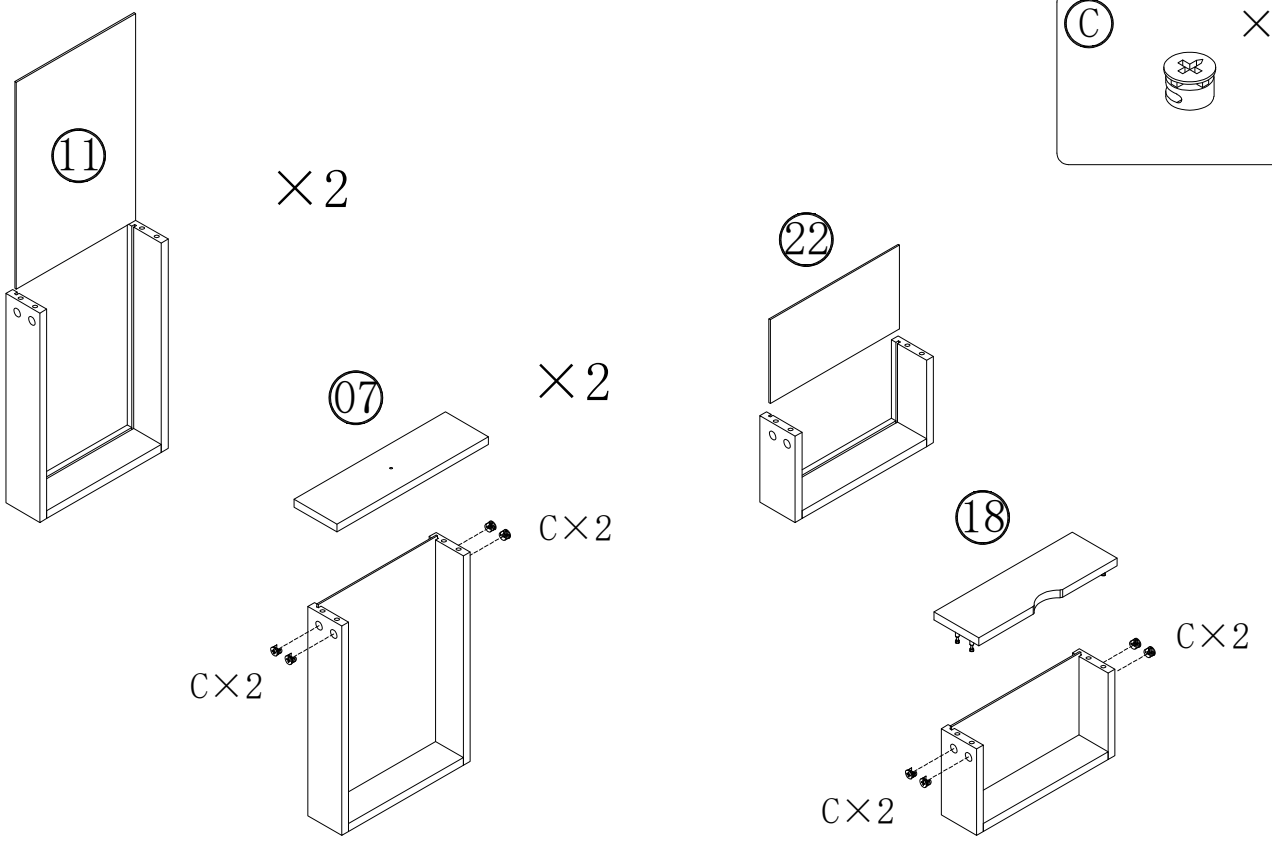
15

Ⓢ × 12

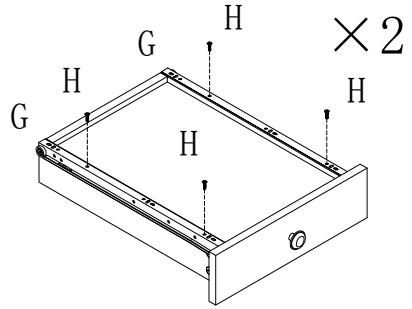
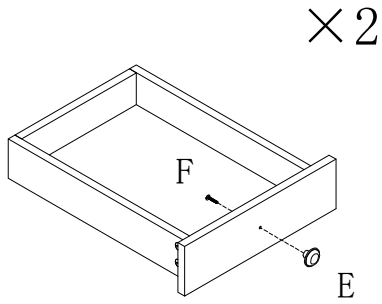
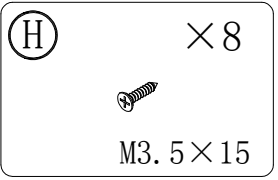
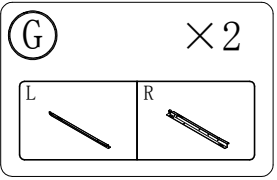
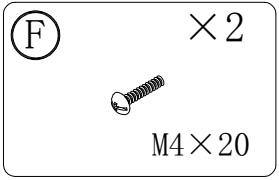
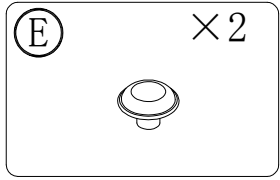



16

Ⓢ × 12

17



18

