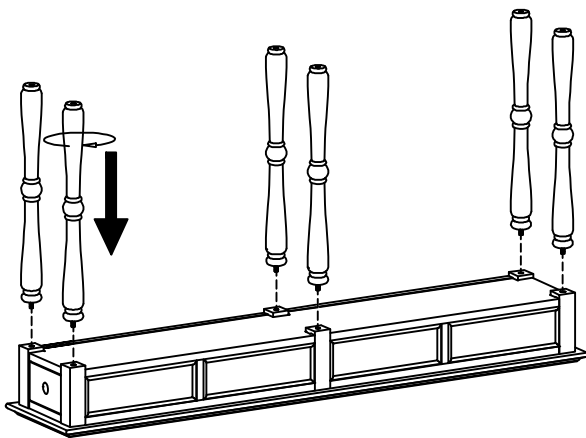


# ASSEMBLY INSTRUCTION

8113-96

STEP1



STEP2

