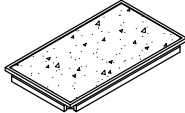

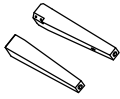
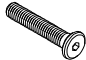
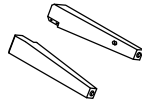

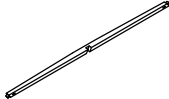

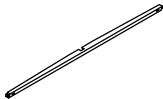



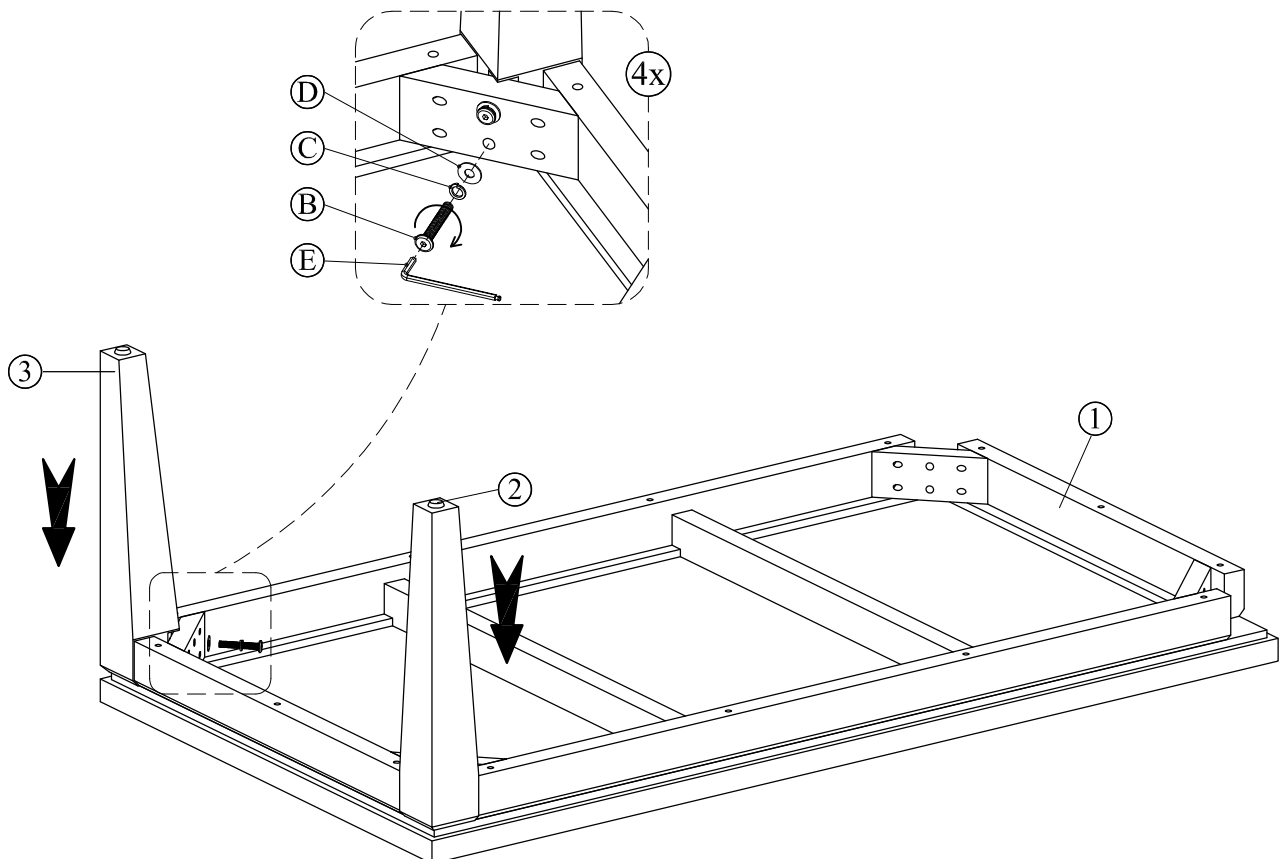
Assembly Instructions

ITEM NO: 11013

Thank you for purchasing this quality product. Be sure to check all packing material carefully for small parts that may have come loose inside the carton during shipment. (Note: Loosely thread all screws/bolts first. Once the item is assembled then completely tighten.)

PARTS LIST:				HARDWARE LIST:				
No.	Description	Sketch	Quality	No.	Sketch	Description	Size	Quality
1	Table Top		1 Pc	A		Wood Screw	Ø4 x 50mm	4 Pcs
2	Leg B		2 Pcs	B		Allen Head Bolt	Ø8 x 50mm	8 Pcs
3	Leg C		2 Pcs	C		Lock Washer	Ø9 x Ø13mm	8 Pcs
4	Stretcher B		1 Pc	D		Flat Washer	Ø8 x Ø20mm	8 Pcs
5	Stretcher C		1 Pc	E		Allen Key	4 x 110mm	1 Pc

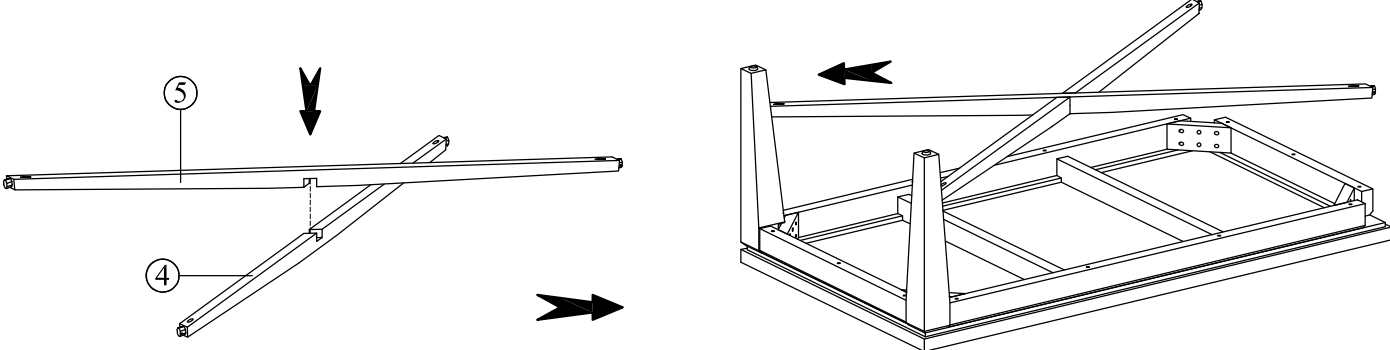
STEP 1



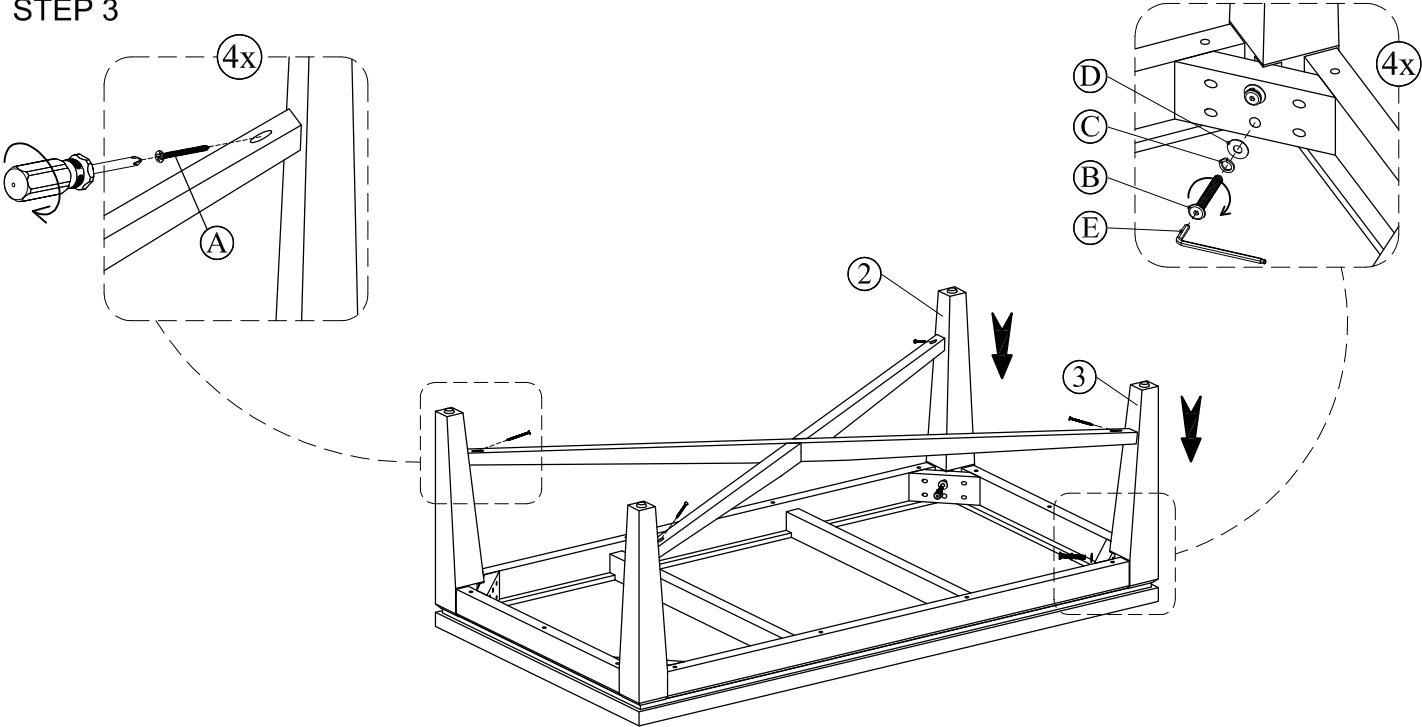
Assembly Instructions

ITEM NO: 11013

STEP 2



STEP 3



STEP 4

