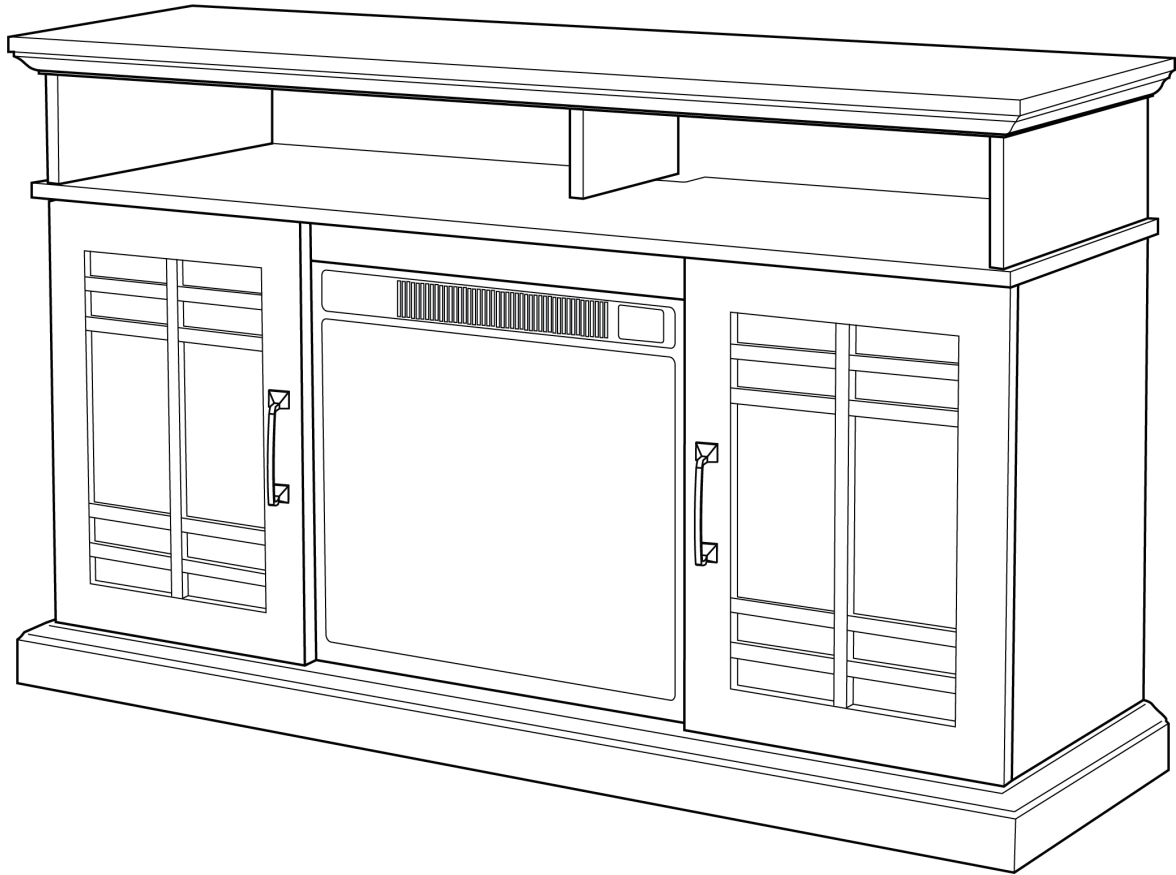


Norrell TV Stand w/ Fireplace



BELLEZE[®]

FOLLOW US:



@bellezefurniture

CONTACT INFO:

support@belleze.com
1-800-682-6376

ITEM NO. 014-HG-41802-HT

The instruction booklet contains **IMPORTANT** safety information. Please read it in full and keep it for future reference.

www.belleze.com

Scan this QR Code
to view our online tutorial

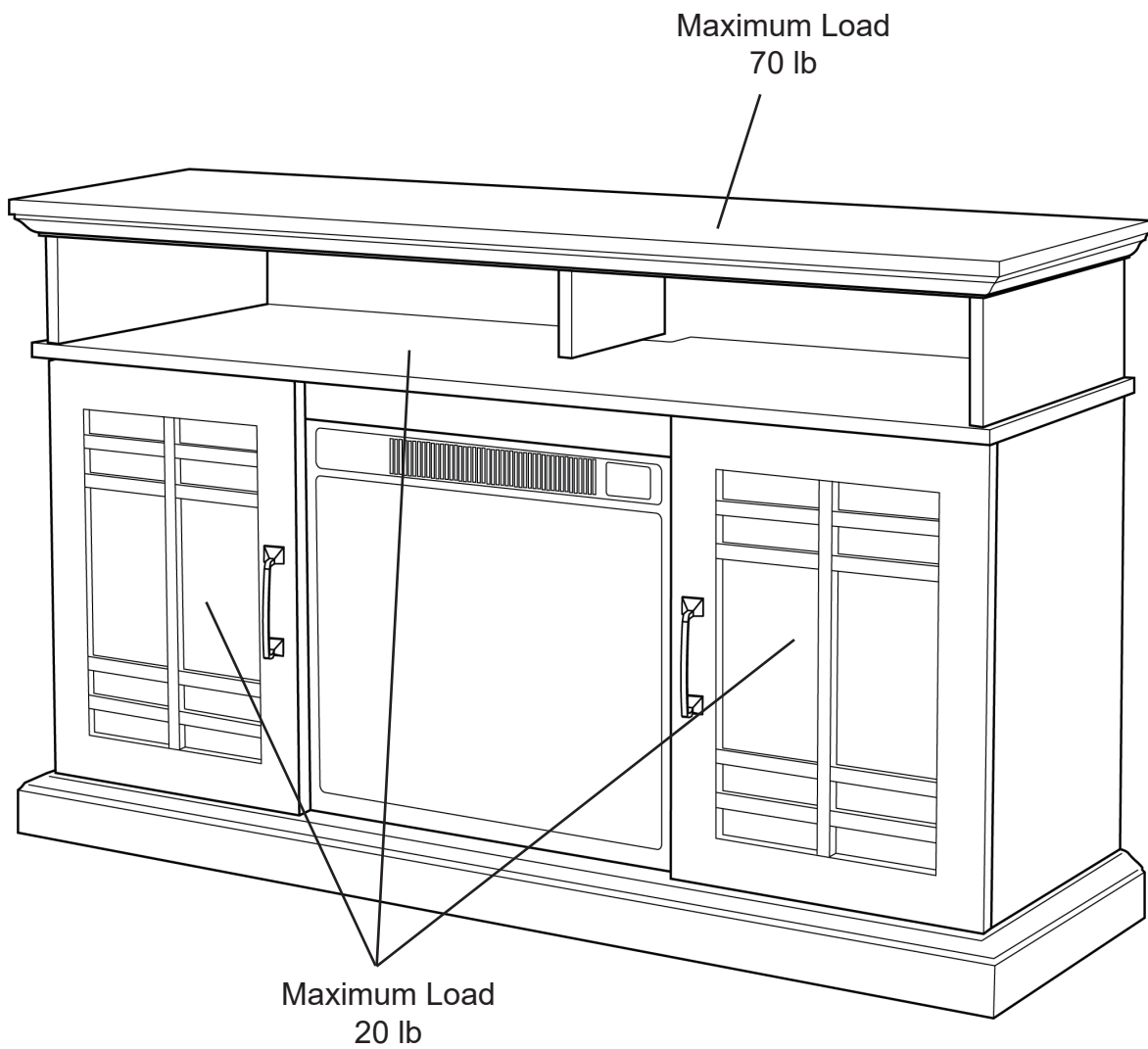


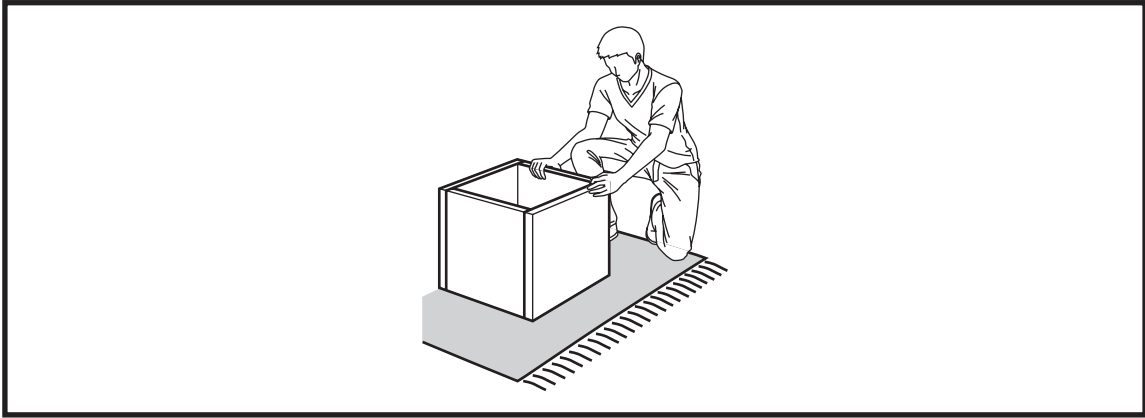
Estimated time for assembly:

120 mins



Weight limitations are as follows:

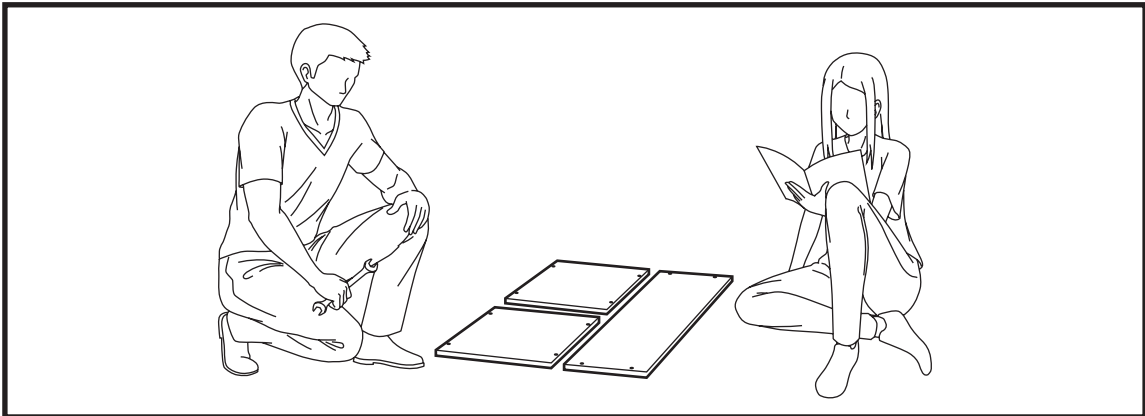




Assemble the furniture on an empty carton, carpet, or rug to prevent scratches or damage.

For safety, please keep pets and children away from the assembly area.

Ensure the product is fully assembled before use. If you are missing any hardware or products, do not use it until you have restored the missing parts.



This furniture requires 2 people for assembly.

Read this instruction manual prior to assembly to familiarize yourself with the various steps.

Lay out all components and hardware separately on a flat surface and make sure that no parts are missing or damaged before assembly. Do not destroy or discard any packaging until you are certain that you have all the necessary parts for assembly.

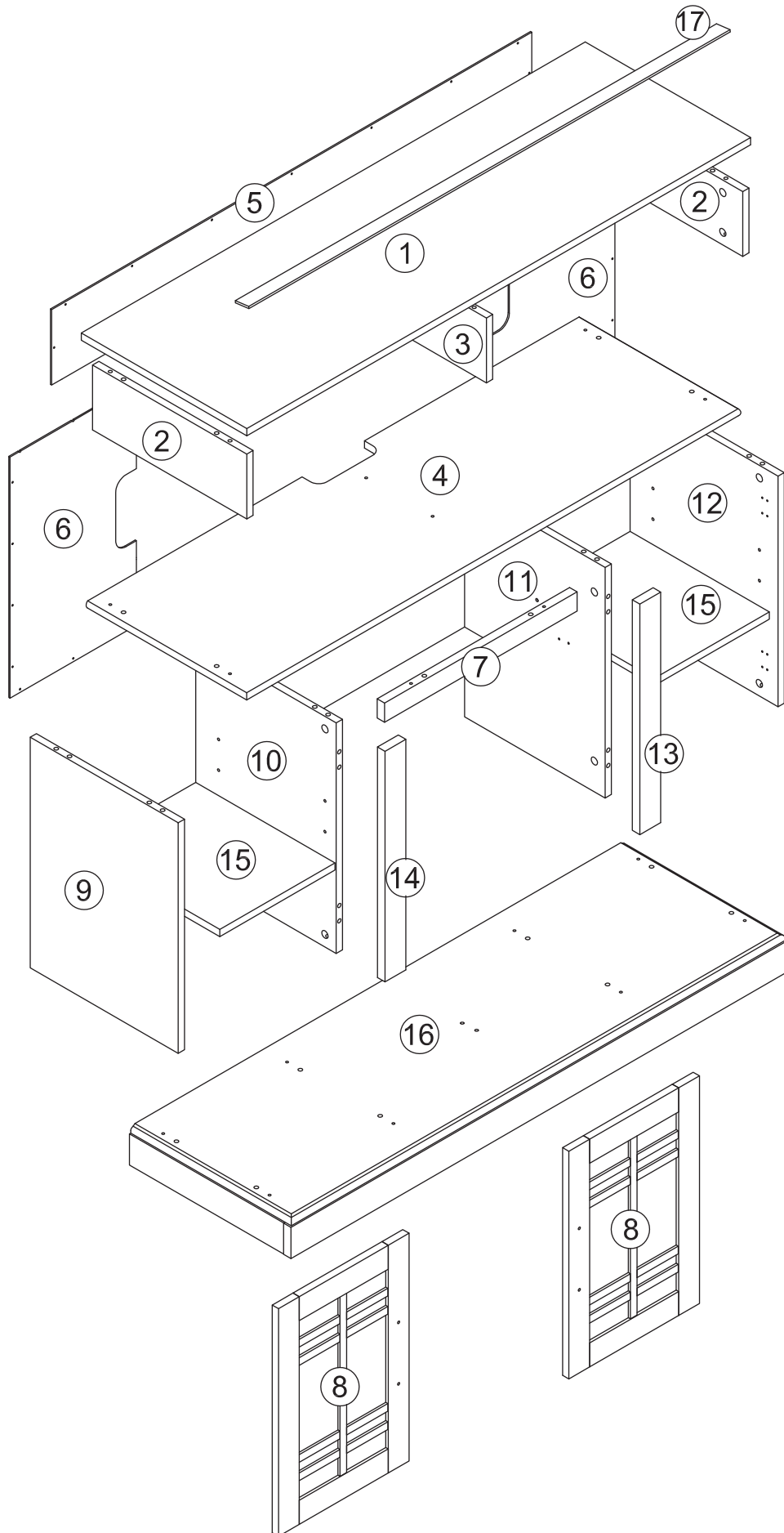
Hand tight all hardware and careful not to over tighten to avoid damaging the product.

CAUTION

There are small components used in the construction of this product. Loose items should be kept away from pets and children to avoid a choking hazard.

Keep all plastic bags and packaging film away from pets and children to avoid suffocation.

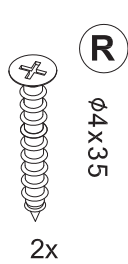
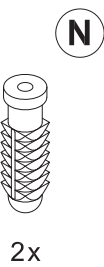
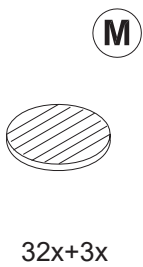
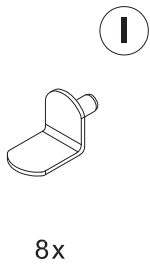
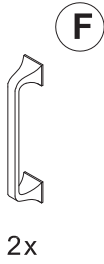
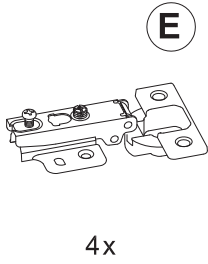
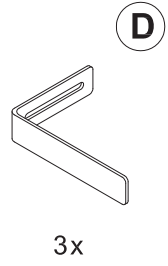
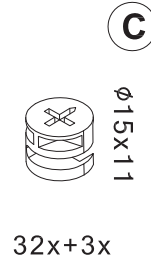
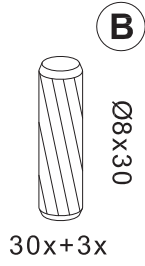
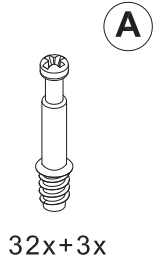
PACKAGE CONTENTS



PACKAGE CONTENTS

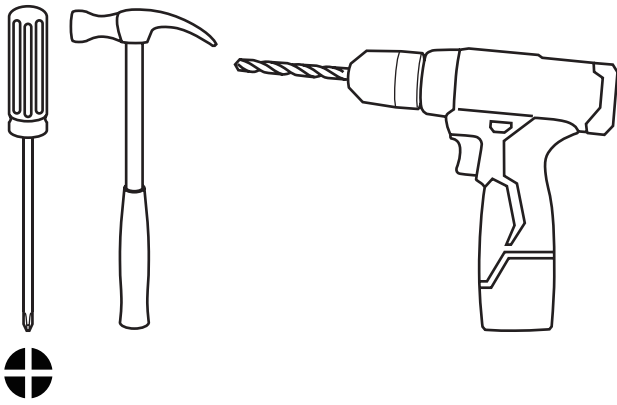
CODE	DESCRIPTION	QTY
1	Top Panel	1
2	Upper Side Panel	2
3	Divider Panel	1
4	Middle Shelf Panel	1
5	Upper Back Panel	1
6	Side Back Panel	2
7	Crossbar	1
8	Cabinet Door	2
9	Left Side Panel	1
10	Left Medial Panel	1
11	Right Medial Panel	1
12	Right Side Panel	1
13	Right Support Baffle	1
14	Left Support Baffle	1
15	Storage Shelf Panel	2
16	Base	1
17	Top Garnishing Strip	1

PACKAGE CONTENT



Install all hardware perpendicular to the opening.

Required tools for assembly (Not included)

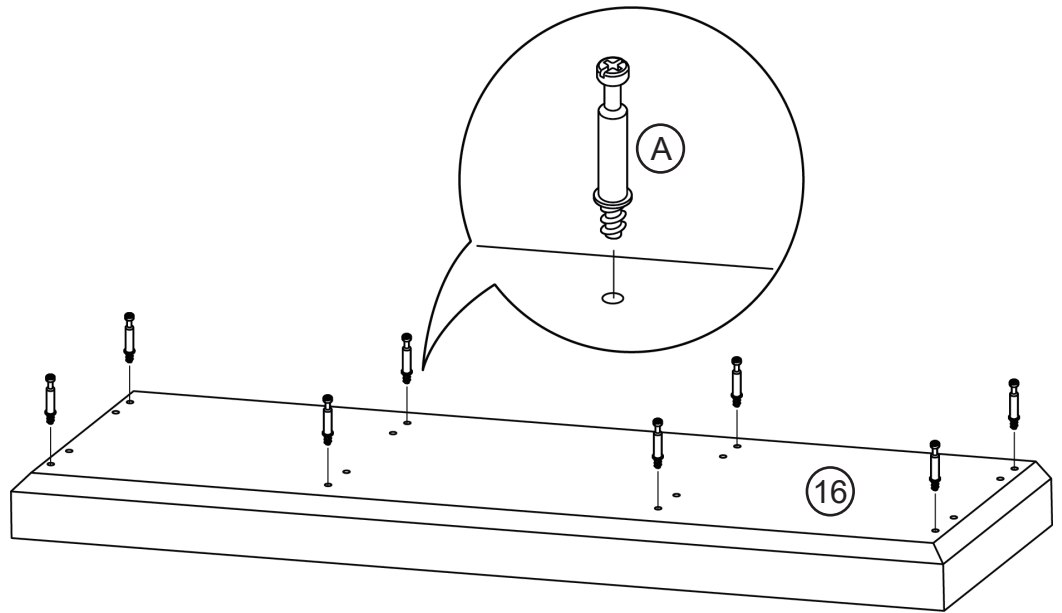


1

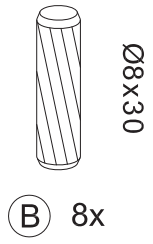


(A) 8x

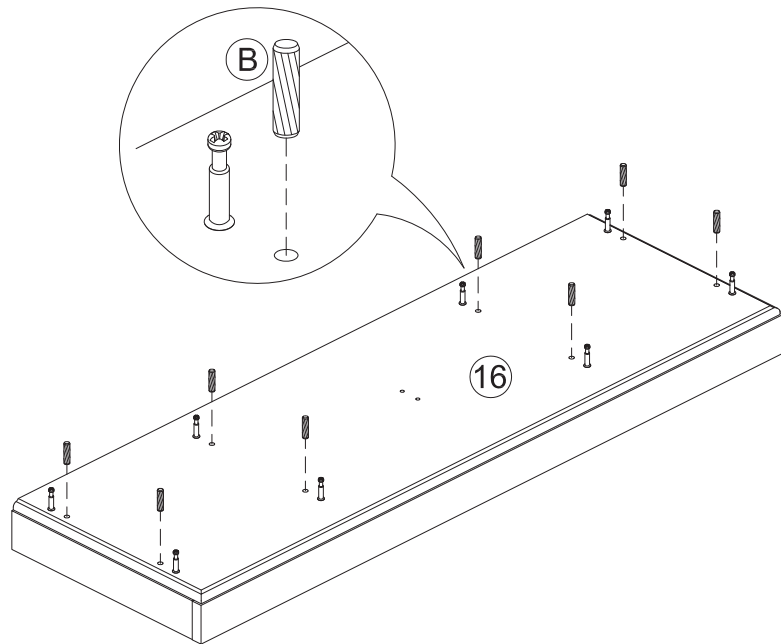
Attach cam bolts on the base (16).



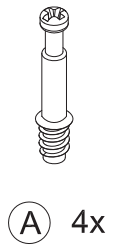
2



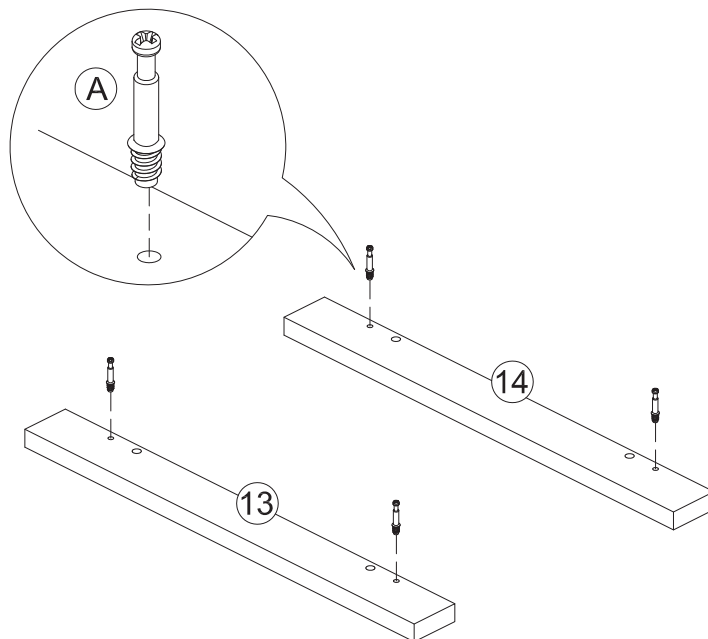
Insert wood dowels to the base (16).



3

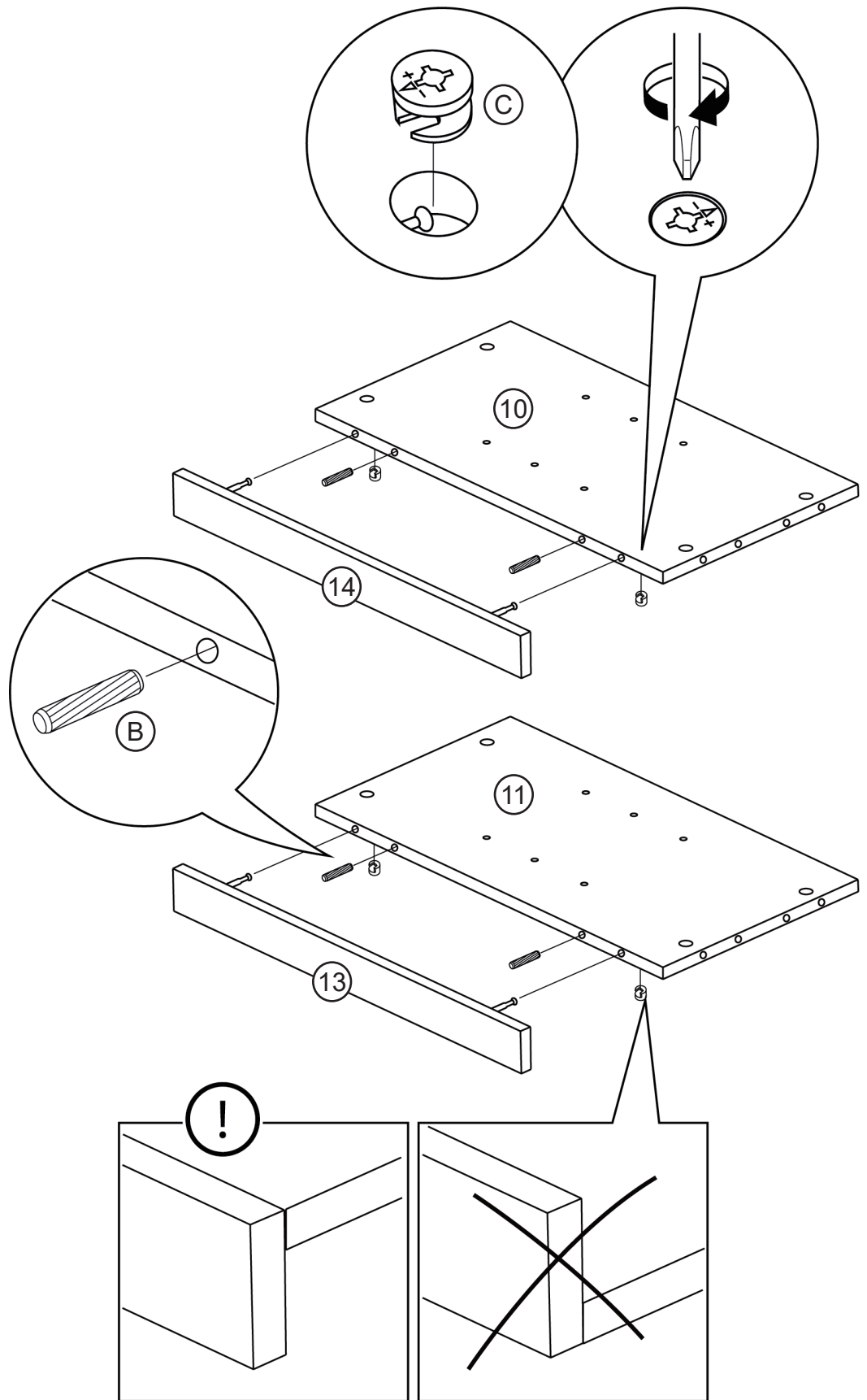
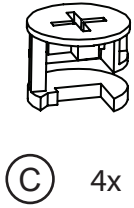
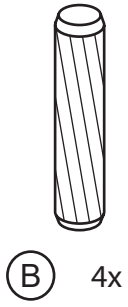


Attach cam bolts to the support baffles (13, 14).



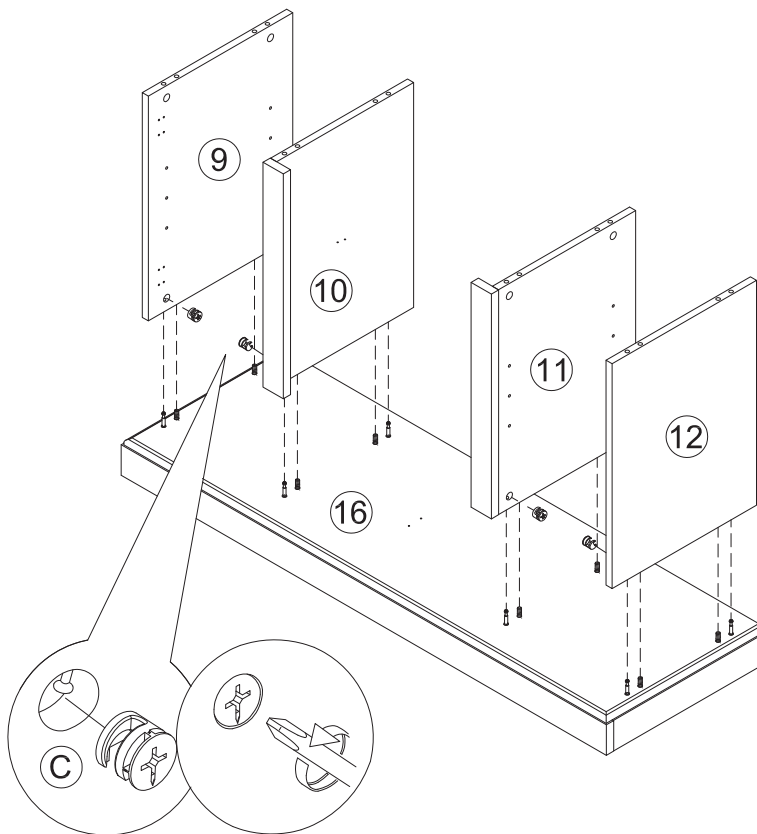
4

Attach the support baffles (13, 14) to the medial panels (10, 11).



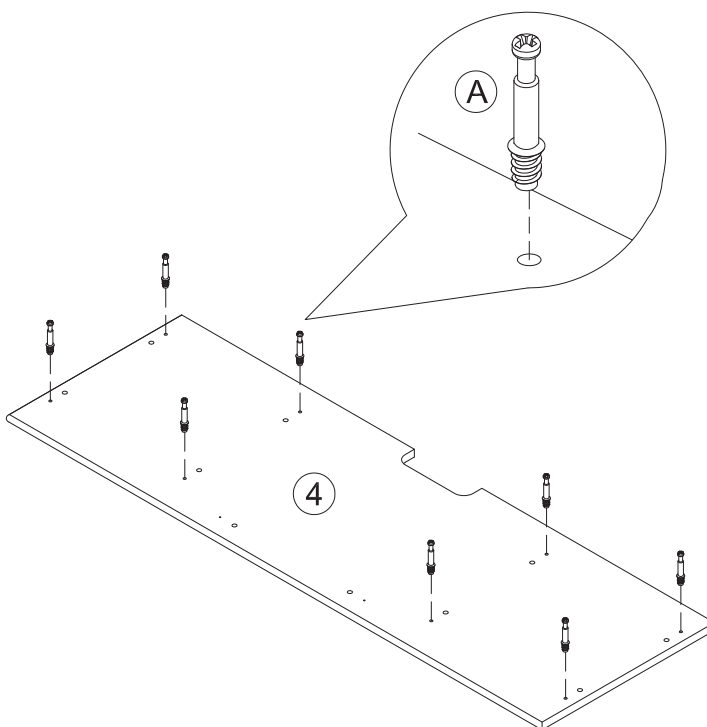
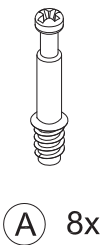
5

Assemble the side panels and the medial panels to the base (9,10,11,12).



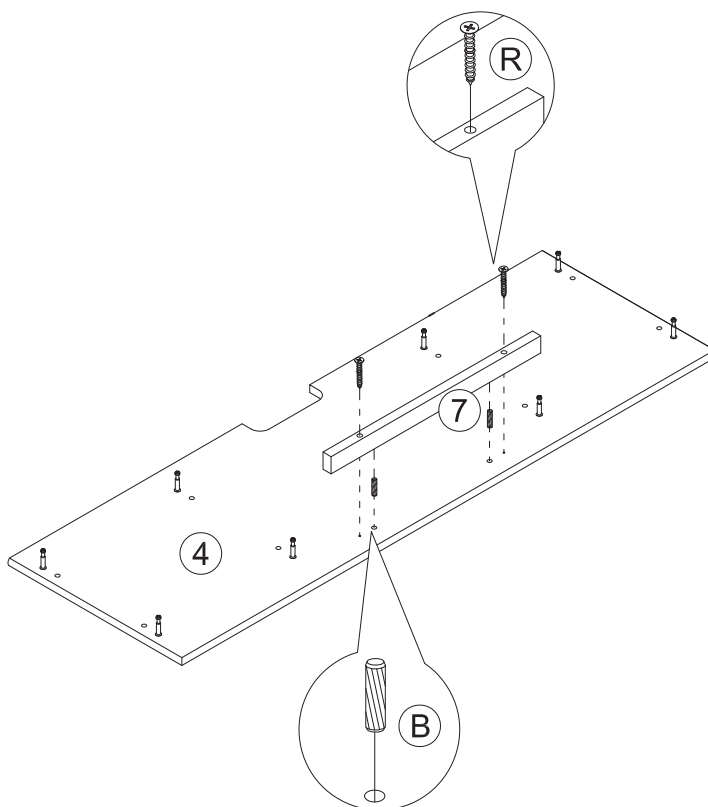
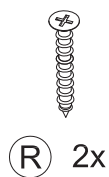
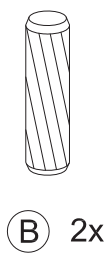
6

Attach cam bolts to the underside of the middle shelf panel (4).



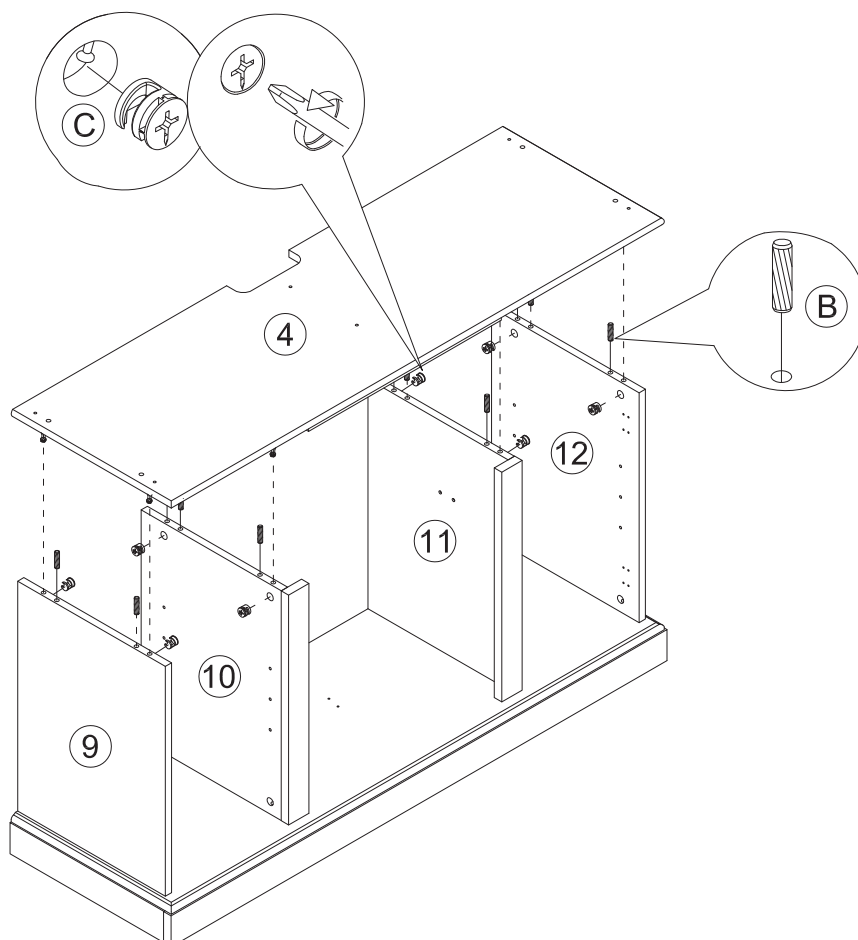
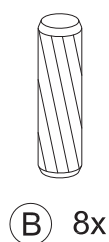
7

Attach the crossbar (7) underneath the middle shelf panel.



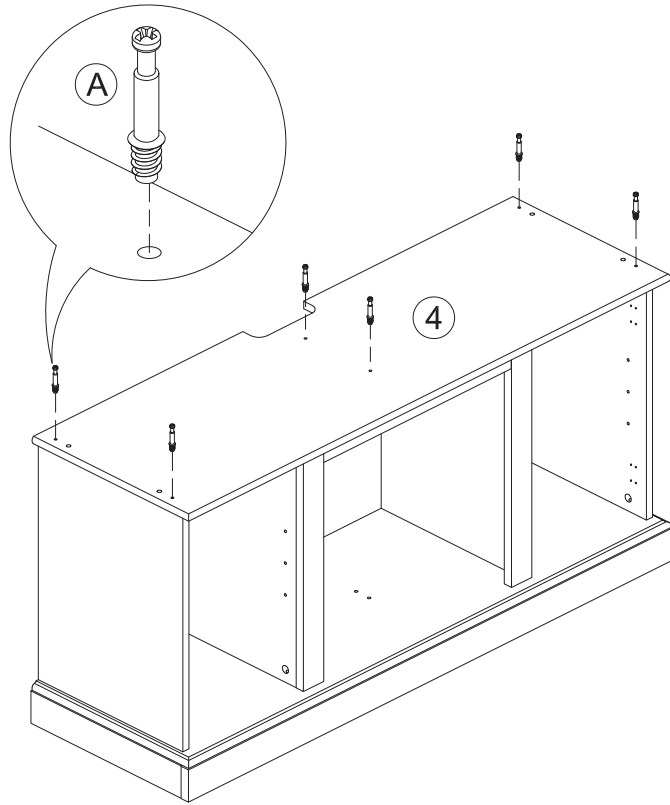
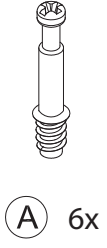
8

Attach the middle shelf panel on top of the side panels and medial panels.



9

Attach cam bolts on top of the middle shelf panel.



10

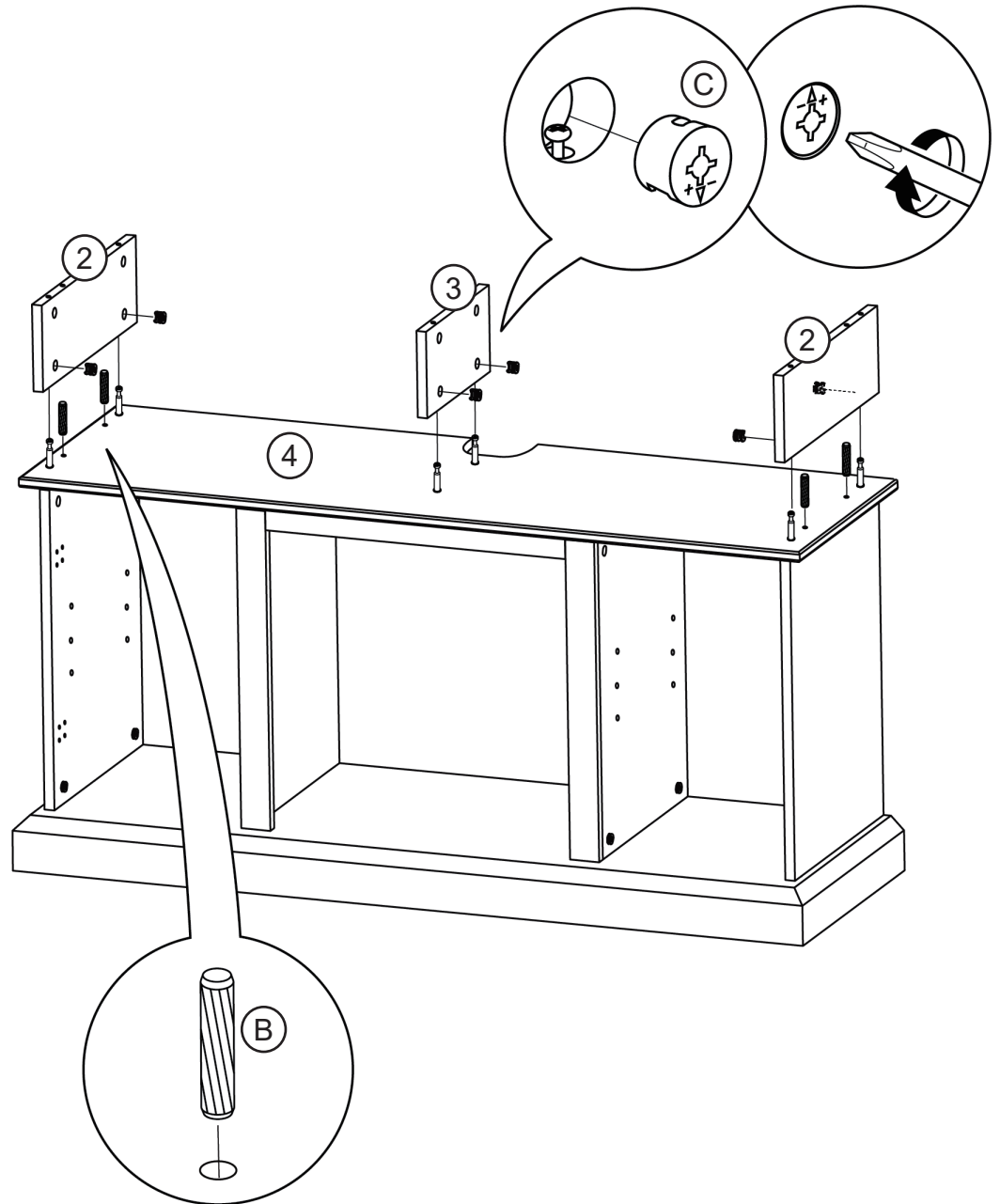
Assemble the upper side panels (2) and the divider panel (3) on the middle shelf panel.



(B) 4x

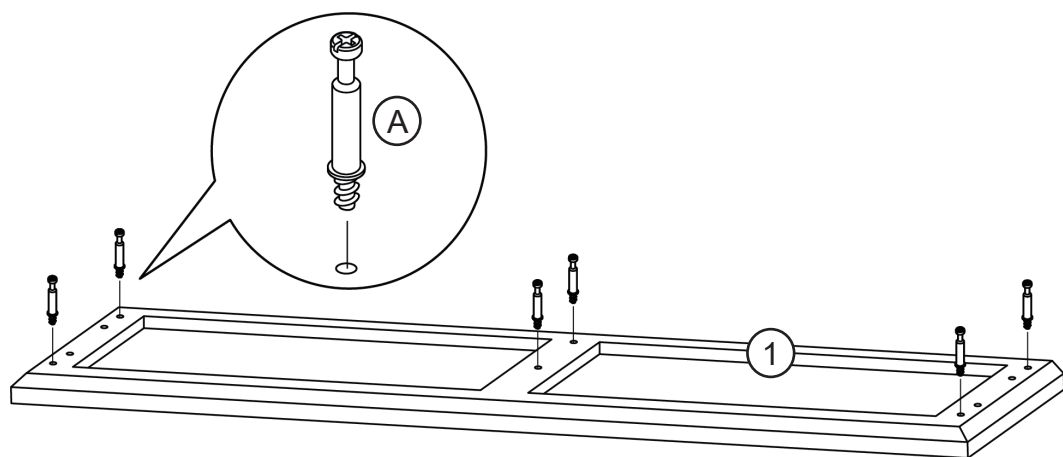
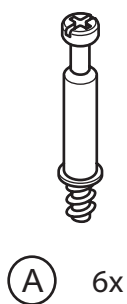


(C) 6x



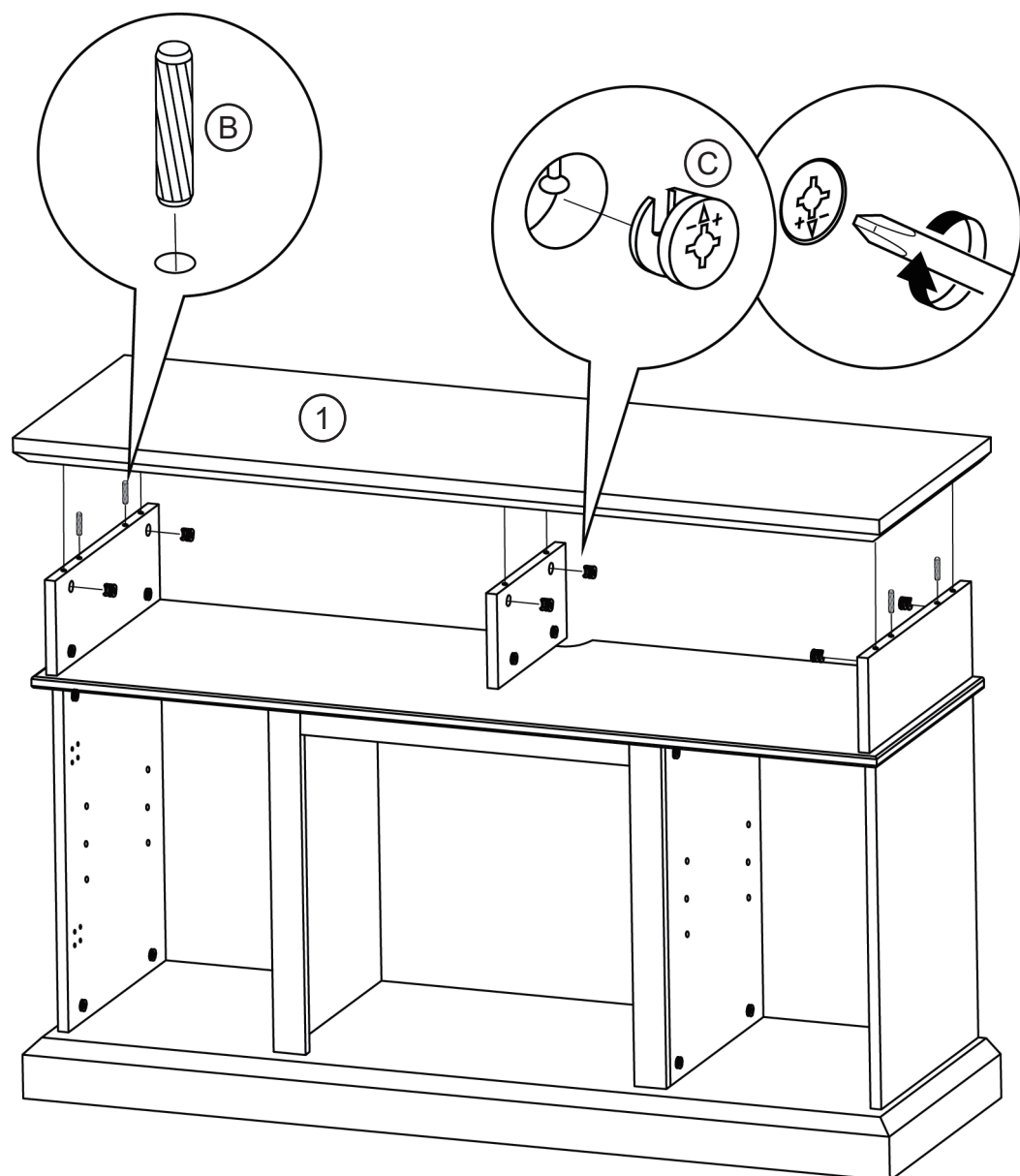
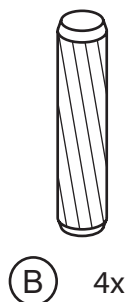
11

Attach cam bolts under the top panel (1).



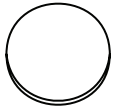
12

Assemble the top panel (1) on the assembly.

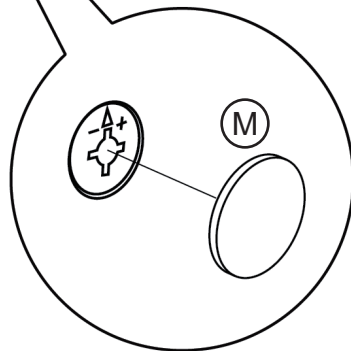
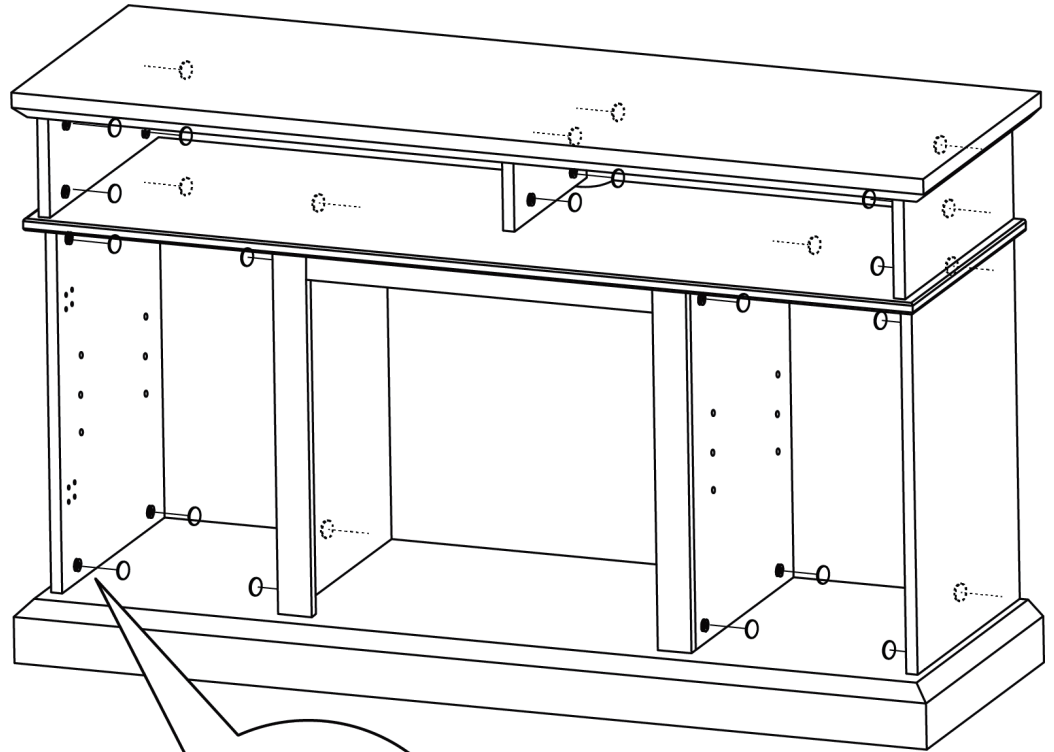


13

Cover all the cam lock with decorative covers.



(M) 32x

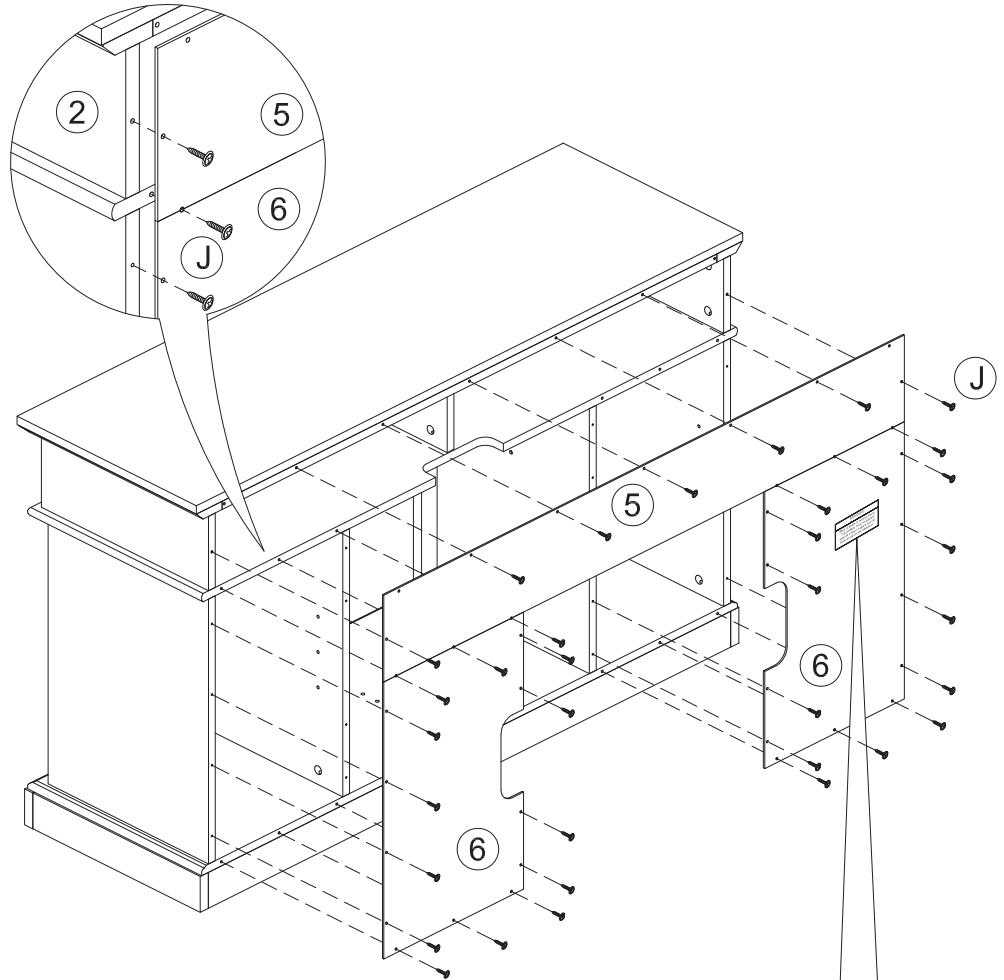


14

Attach back panels (5,6) to the back of the TV stand.



J 37x



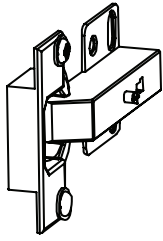
AWARNING

*Risk of death or serious injury.
This surface must be placed
against a fixed in place wall at
least as tall as the television.

Warning lable should be facing outward.

15

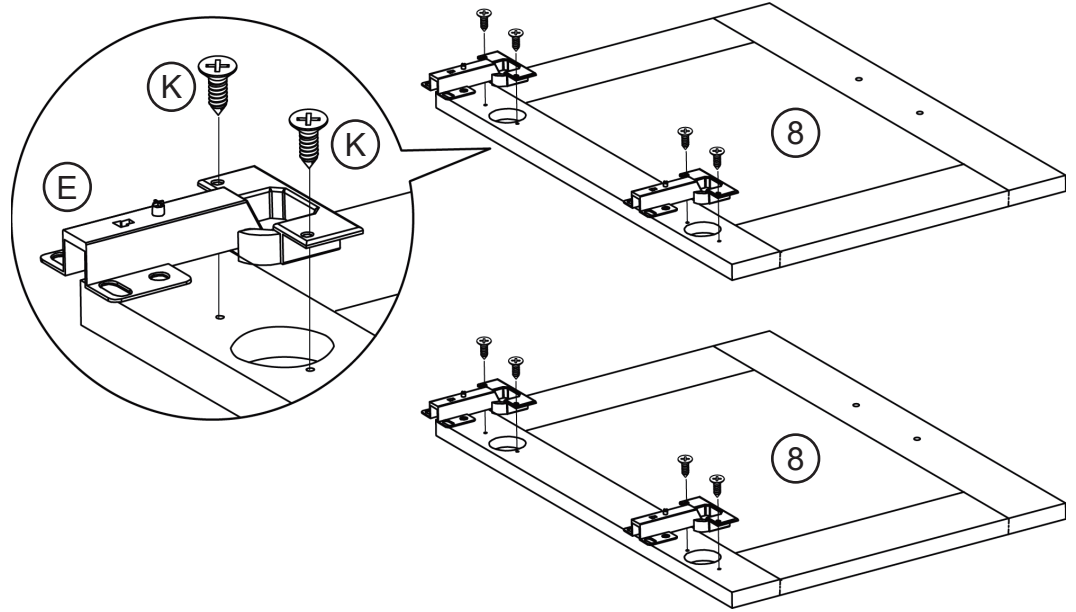
Attach door hinges to the cabinet doors (8).



(E) 4x



(K) 8x



16

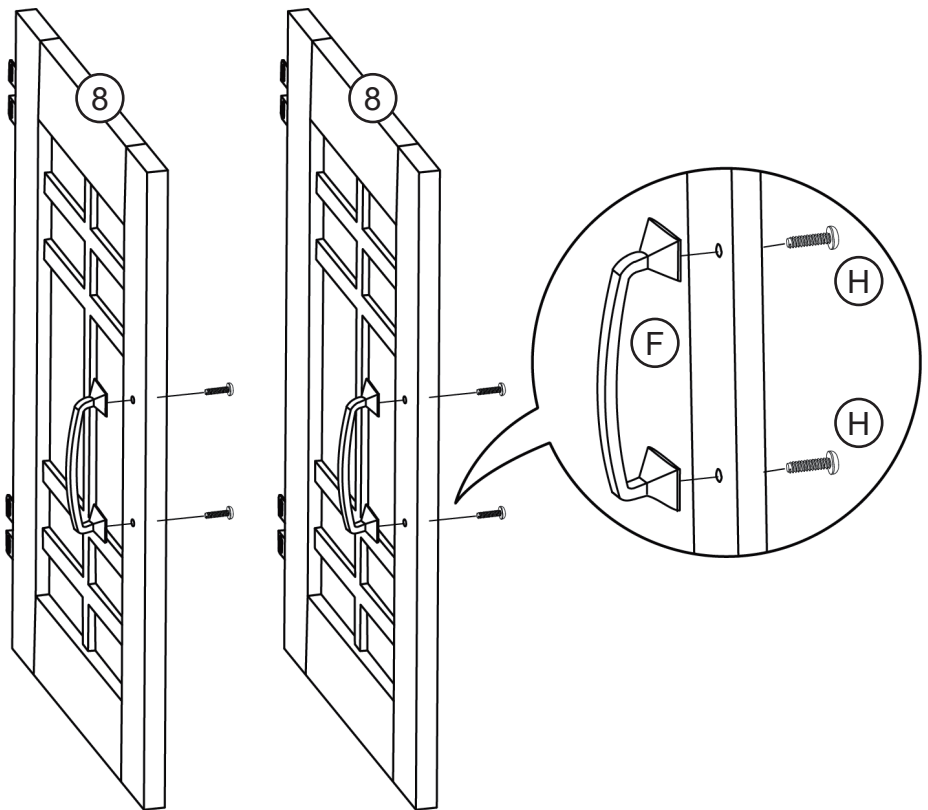
Attach door knobs to the cabinet doors (8).



(F) 2x



(H) 4x

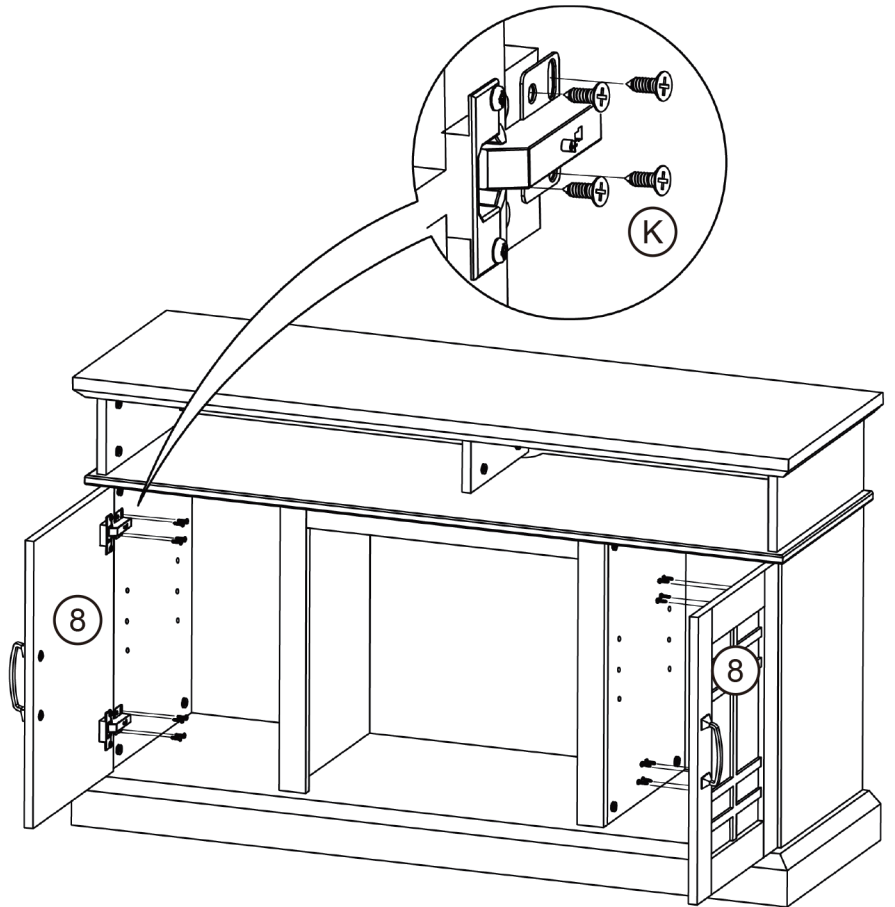


17

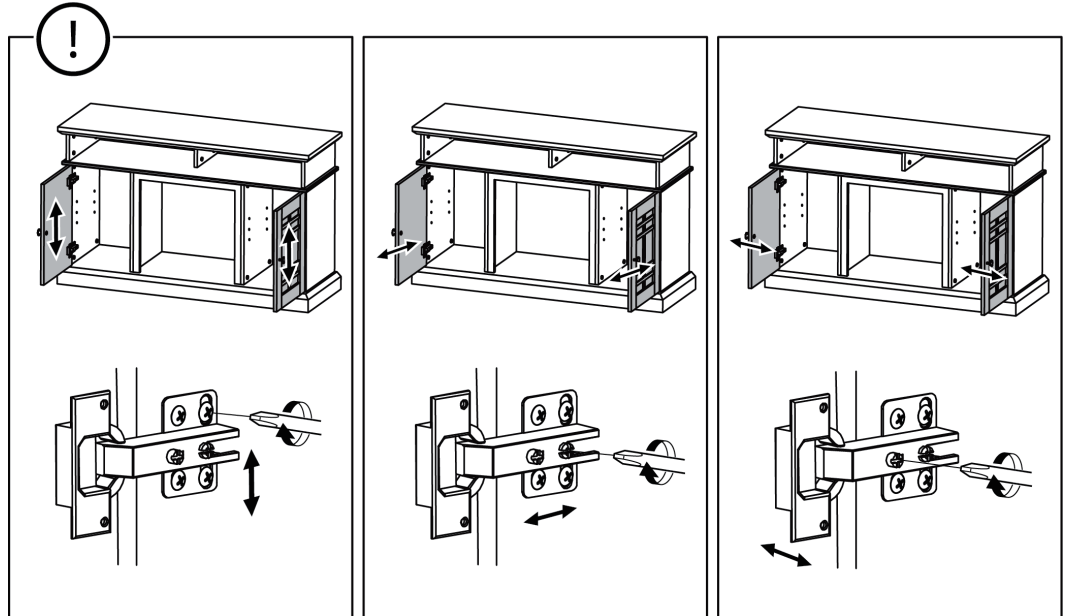
Attach cabinet doors to the TV stand.



(K) 16x



Adjust the position of the cabinet doors



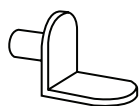
Up and down adjustment by loosening the screws on the mounting plate.

In and out adjustment by loosening the screws on the hinge arm.

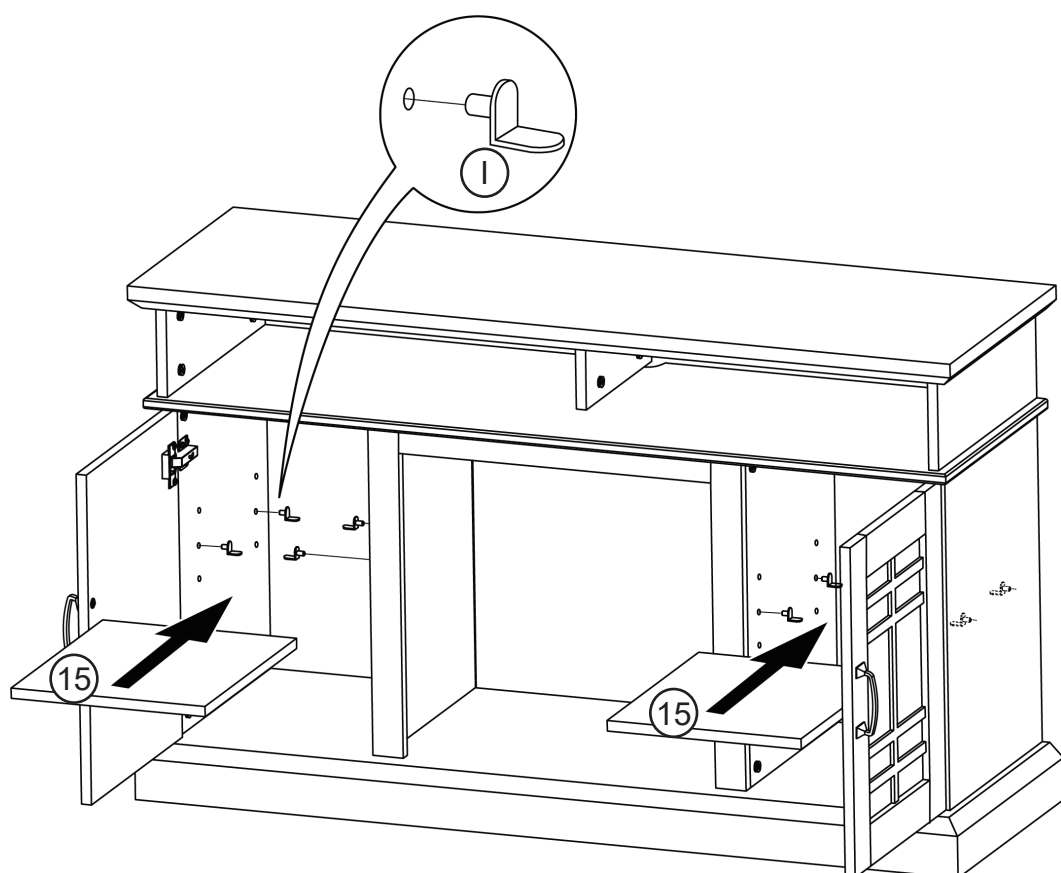
Side to side adjustment using the front adjustment screw on the hinge.

18

Insert shelf pegs inside the TV stand and put on the storage shelf panels (15).



① 8x



19

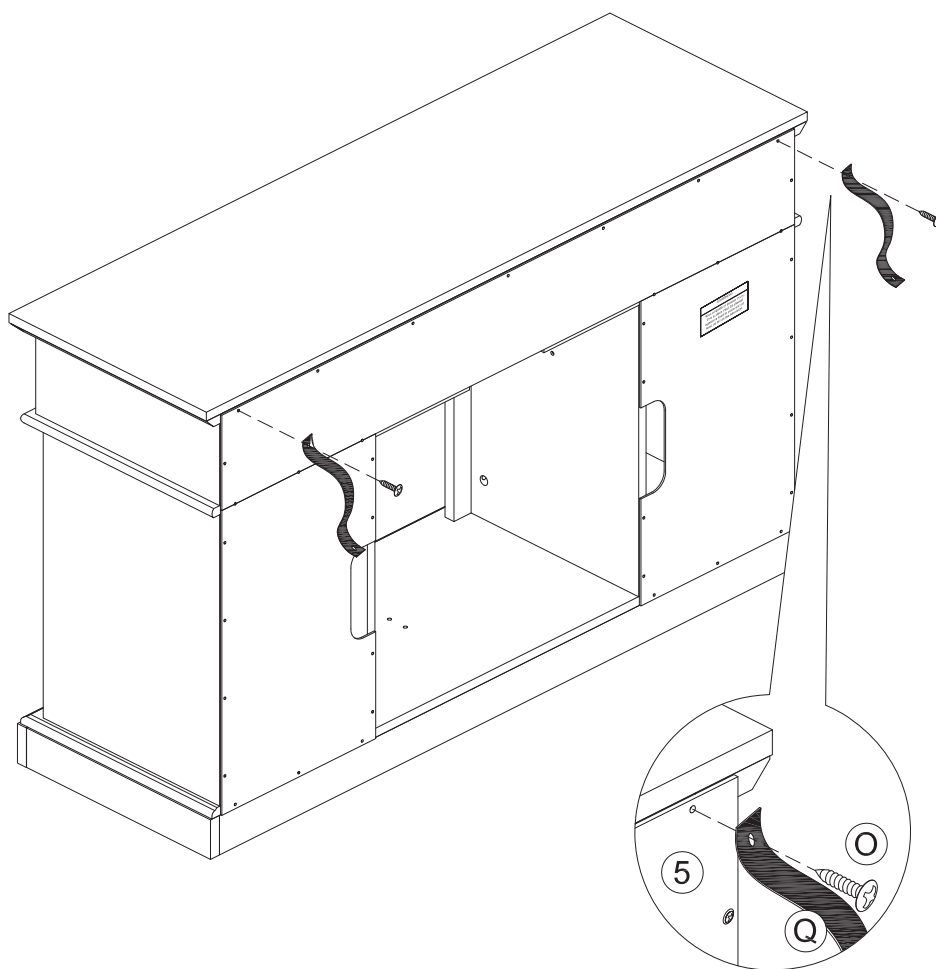
Attach anti-tipping strap behind the TV stand.



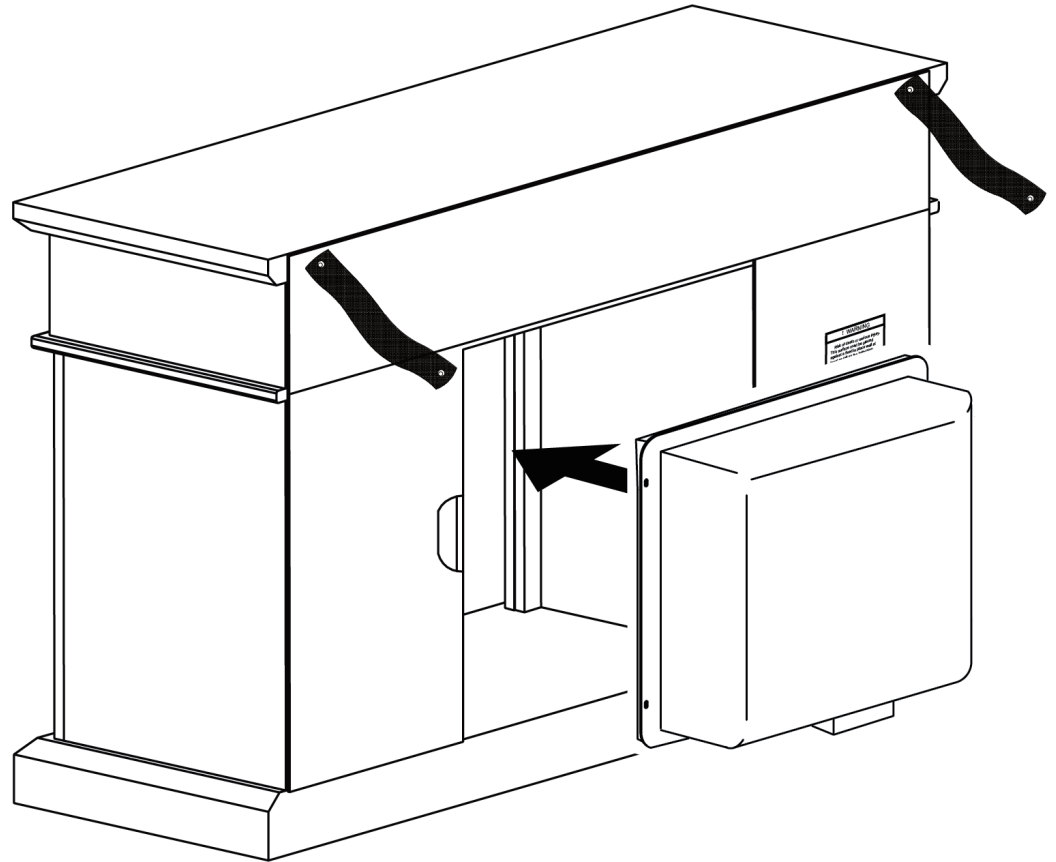
Q 2x



O 2x



Install fireplace into the mantel.



 CAUTION

The heater has a glass front panel. Careful when handling glass to prevent injury or damage.

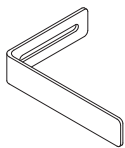
Set the unit from the back of the fireplace mantel and center it in the opening.

For the exact instruction, please refer to the user's manual provided with the fireplace.

NOTE: Do not attempt to install the unit from the front of the mantel. It will not fit.

21

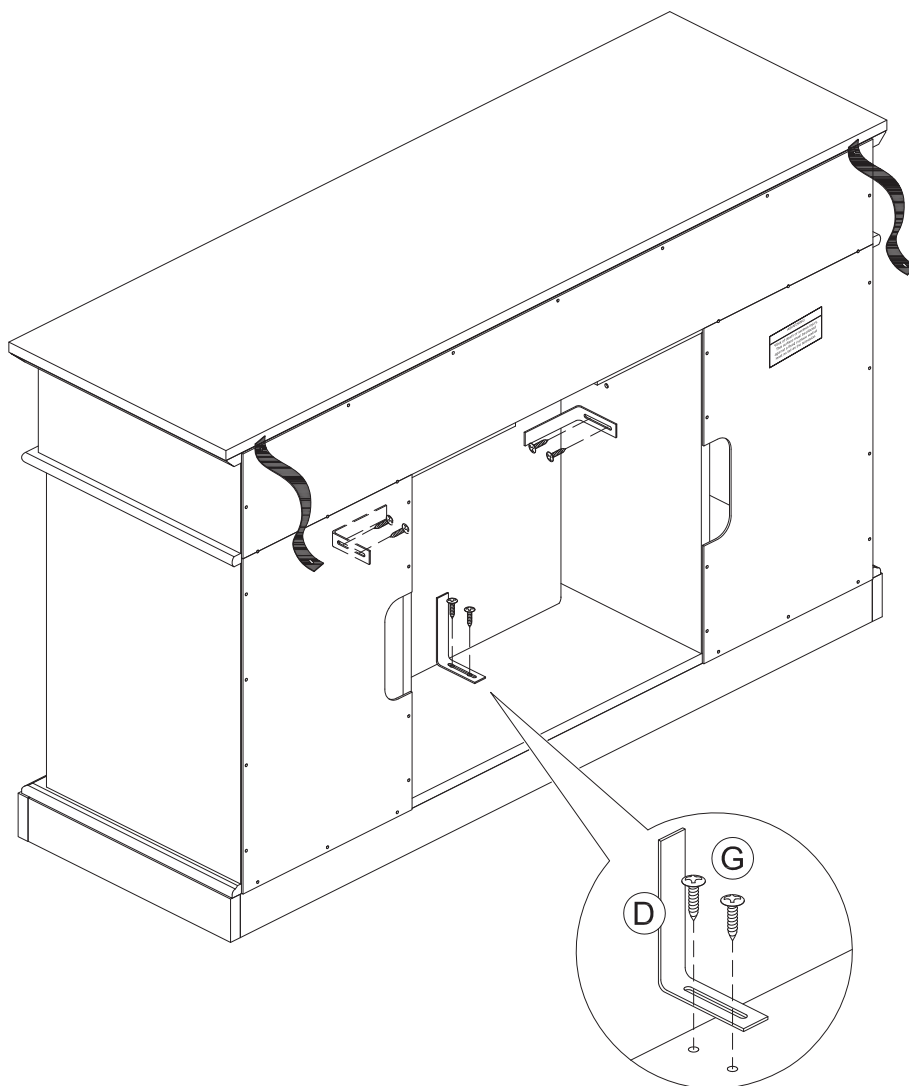
Secure the fireplace in place with metal brackets.



D 3x

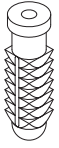


G 6x

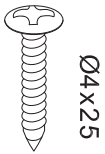


22

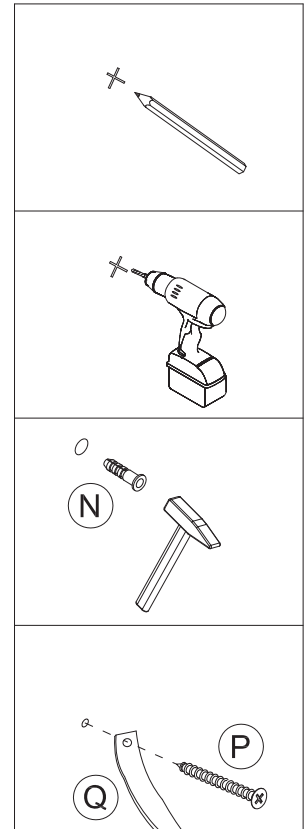
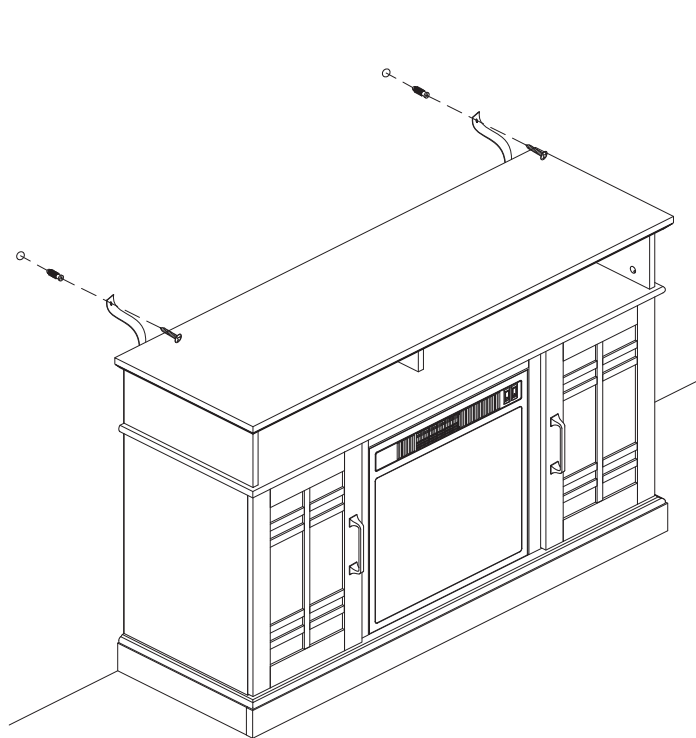
Affix the TV stand to the wall.



(N) 2x



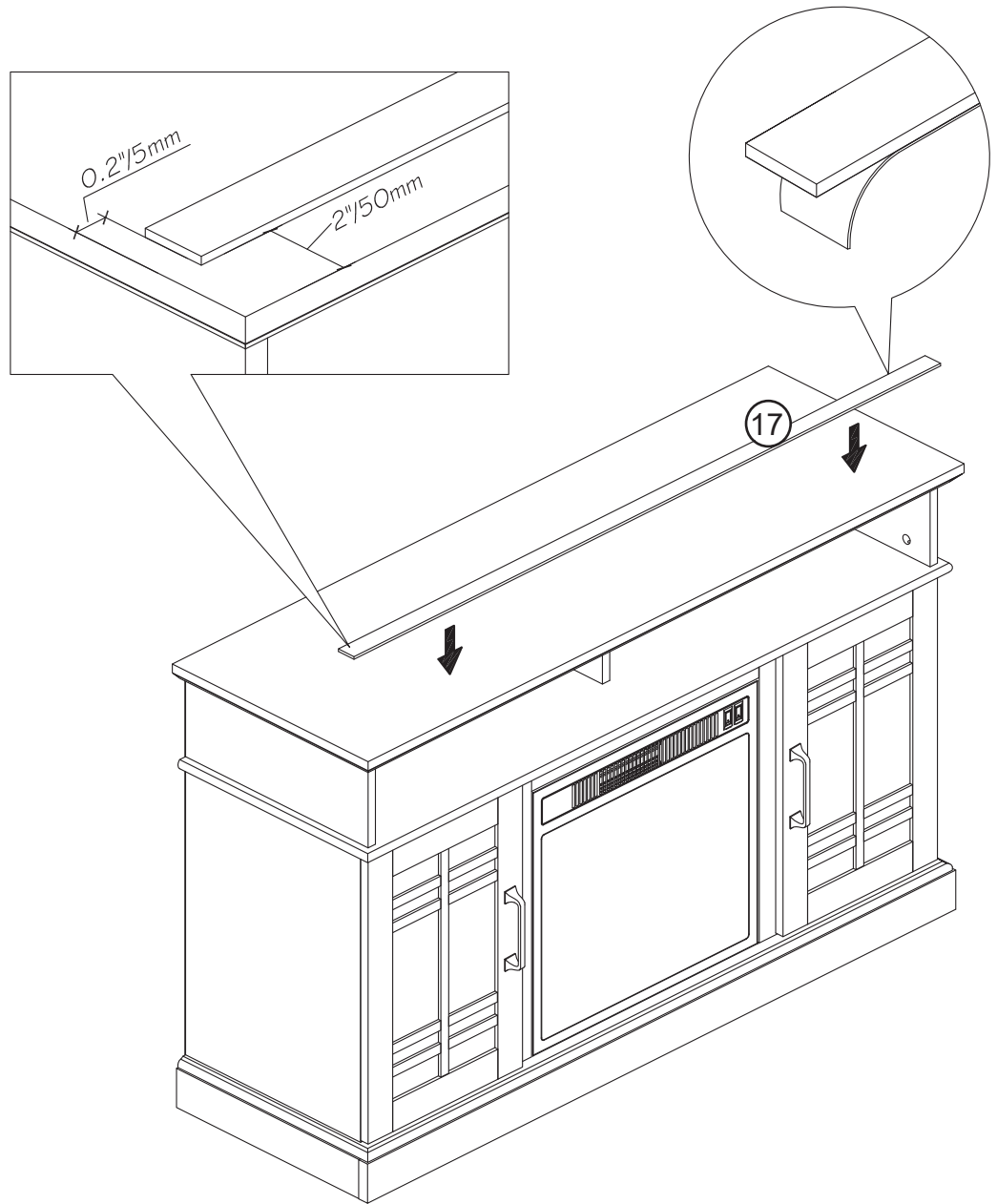
(P) 2x



Furniture must permanently fixed to the wall stud with included anti-tipping device to prevent the furniture from tipping over.

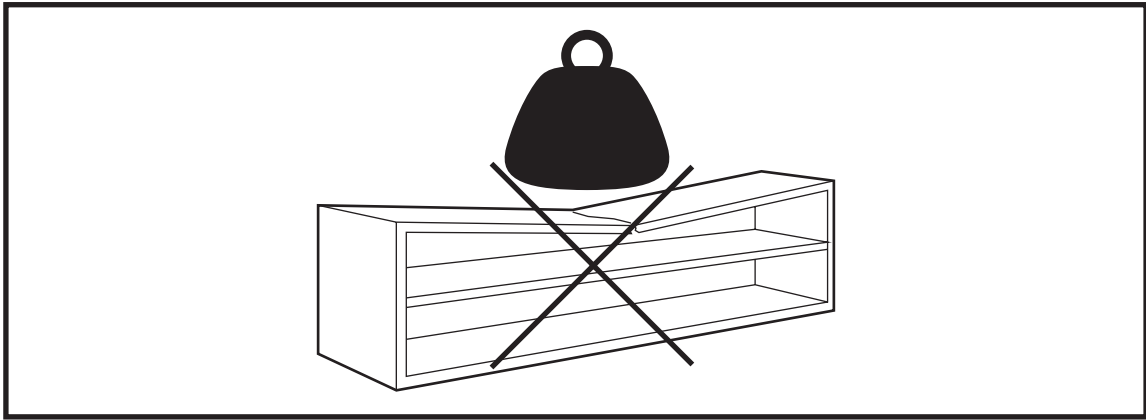
- Mark the drill position on the wall with a pencil.
- Drill a small hole on the marked position.
- Insert a wall anchor into the drilled hole.
- Fixed the anti-tipping strap to the wall with provided screws.

Attach the wood strip on top of the TV stand.



NOTE: Put the TV behind the wood strip to prevent it from falling off.

YOU'RE FINISHED!

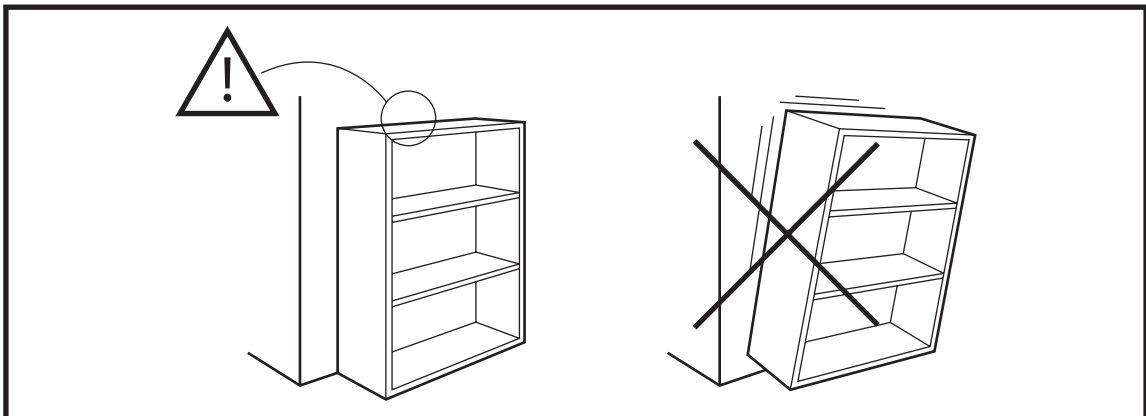


Warning

Only place items on top of the product if they meet the recommended size and weight limits.

Climbing on, stepping on, or placing overweighted objects on the product may cause property damage and/or injuries.

Items placed onto this product must be resting on a support surface without hanging over the edges.



Warning

Serious or fatal crushing injuries may occur if the furniture tip-over. Furniture must permanently affixed to the wall with included anti-tipping device in order to prevent the furniture from tipping over.

Different wall materials requires different types of wall anchors or screws. Use a suitable wall anchors or screws for your specific wall in order to secure the stability and load bearing capacity of the furniture. If you are uncertain about which type of device to use, please contact us or your local hardware store.

WARNING

For use with televisions weighing 70lbs (31.8kg) or less. Use with heavier televisions may result in instability, causing tip over resulting in death or serious injury.

Death or serious injury may occur when children climb on audio and/or video equipment furniture. A remote control or toys placed on the furnishing may encourage a child to climb on the furnishing and as a result the furnishing may tip over on to the child.

Relocating audio and/or video equipment to furniture not specifically designed to support audio and/or video equipment may result in death or serious injury due to the furnishing collapsing or over turning onto a child.

NOTICE

The recommended maximum width of the TV is 50 inches. Do not exceed the maximum load capacity.

This product is designed for flat panel TVs only.

BELLEZE®

FURNITURE CARE AND MAINTENANCE

Medium - Density Fiberboard

Thank you for your purchase. We want your item to last as long as possible. To ensure the product gives you years of longevity, please follow the recommendations in this care and maintenance guide.



MAINTENANCE

- Tighten all bolts and screws again within the first 2 weeks of assembly.
- Check the tightness of all bolts every 2 months and tighten them if necessary.



CLEANING

- Clean the surface of the MDF (medium - density fiberboard) with a lightly dampened cloth.
- A small amount of mild soap can be used if necessary.
- Dry the surface immediately after cleaning.

- ⚠ DO NOT use bleach or alcohol to clean the surface.
- ⚠ DO NOT apply wood treatment on parts made with MDF.

MDF will swell and distort when exposed to water damage. Make sure to dry the furniture immediately after cleaning.

⚠ WARNING

The manufacturer and seller are not responsible for any and all liability relating to personal injury, property damage or losses, whether direct, indirect, or incidental, resulting from the incorrect attachment, improper use, inadequate maintenance, unapproved modification or neglect of this product.

© All copyright of this document belongs to BELLEZE .
This document may not be printed, translated, reproduced, or distributed in whole or in part without written permission from BELLEZE.

WARRANTY

BELLEZE products come with a 1-year warranty from the date of delivery.
Register your product on our website to enjoy our limited lifetime warranty!



AFTER-SALE SERVICE



Encounter any difficulties or missing parts?



Contact us at **1-800-682-6376** or email us at **support@belleze.com**



We will send you replacement.



Hassle free!
No need to worry about repackaging and sending your item back.

We hope you enjoy your new BELLEZE furniture!
Share your photos on Instagram and tag us: @bellezefurniture.

FOLLOW US:



@bellezefurniture

CONTACT INFO:

support@belleze.com
1-800-682-6376

BELLEZE®