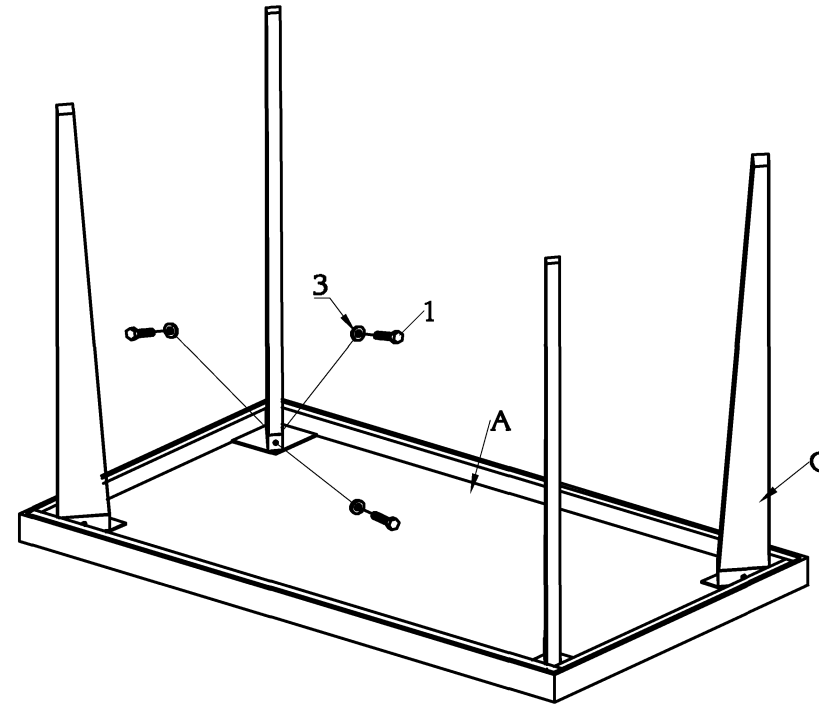
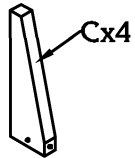
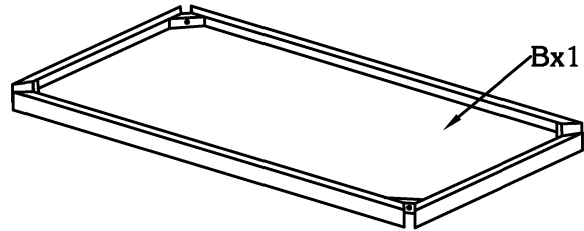
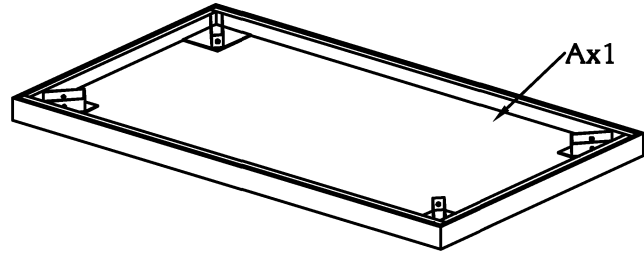



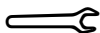


# ASSEMBLY INSTRUCTIONS



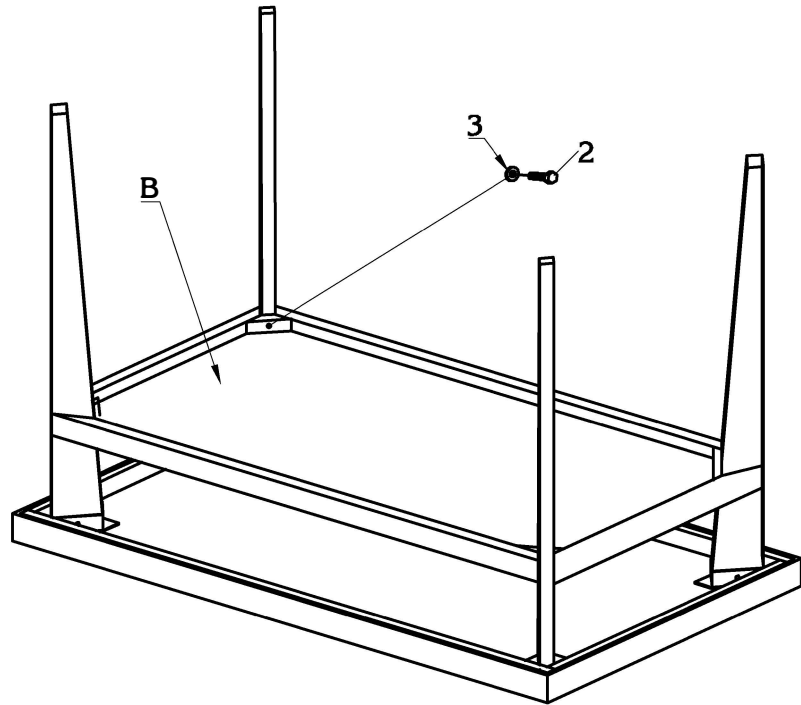
①

## HARDWARE CHECKLIST

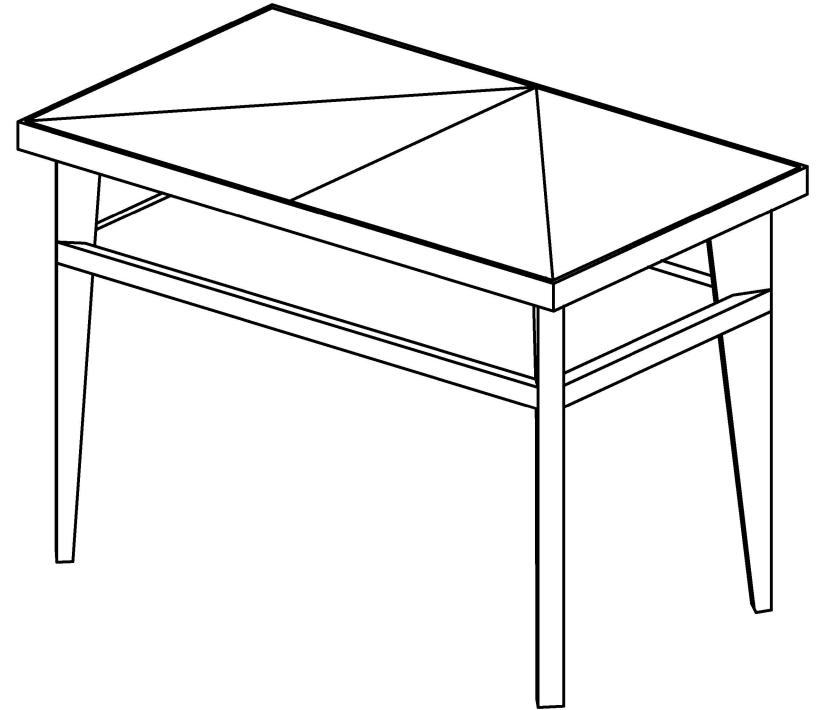
No:	HARDWARES	PICTURE	Q.TY
1	Bolts 8x20		8
2	Bolts 8x50		4
3	Washers		12
4	Key 1/2		1

# CONSOLE

# ASSEMBLY INSTRUCTIONS



2



3

COFFEE TABLE