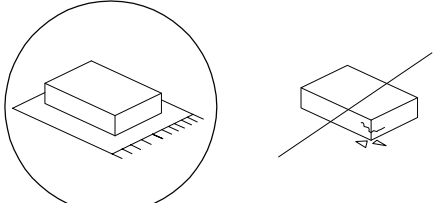


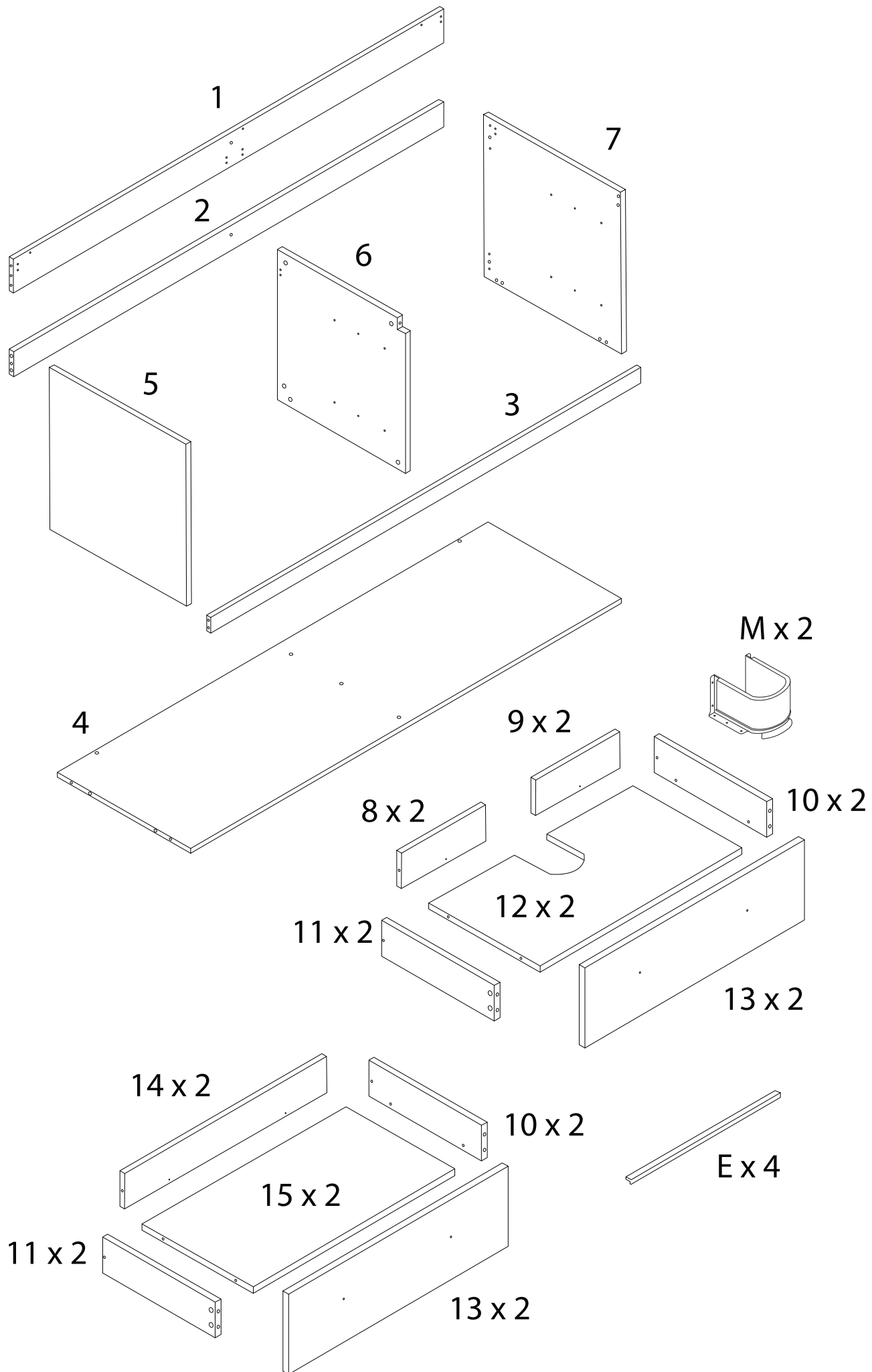
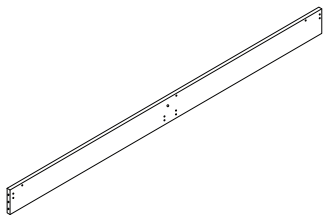

		<b>90'</b>
		
		<b>1</b>

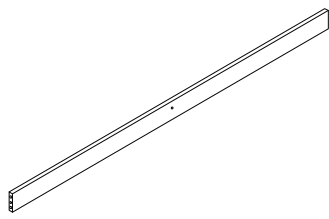


1



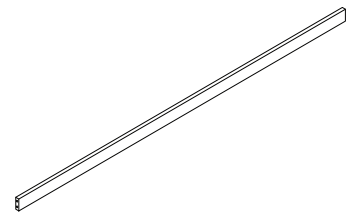
x 1

2



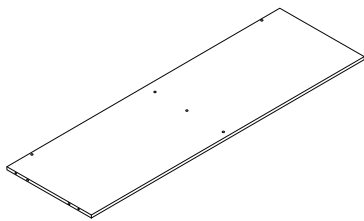
x 1

3



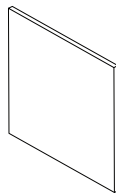
x 1

4



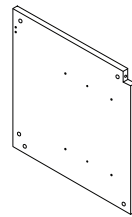
x 1

5



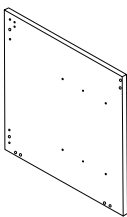
x 1

6



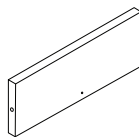
x 1

7



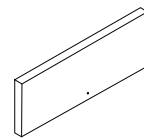
x 1

8



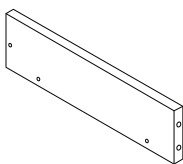
x 2

9



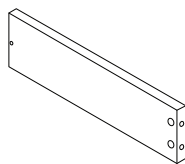
x 2

10



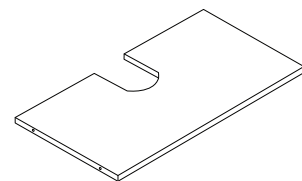
x 4

11



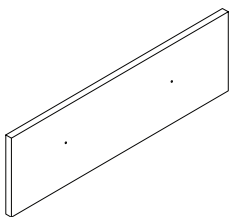
x 4

12



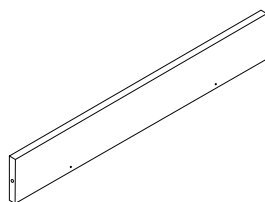
x 2

13



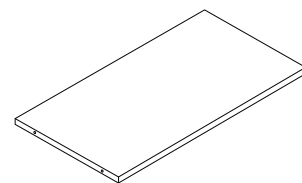
x 4

14



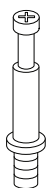
x 2

15



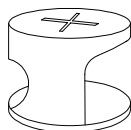
x 2

A



x 35

B



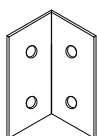
x 35

C



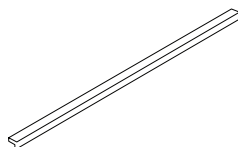
x 13

D



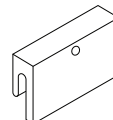
x 4

E



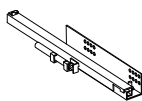
x 4

F



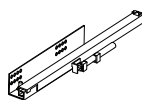
x 3

G1



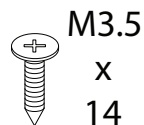
x 4

G2



x 4

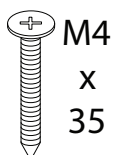
H



M3.5  
x  
14

x 54

I



M4  
x  
35

x 26

J



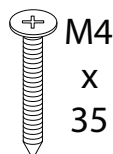
x 35

K



x 8

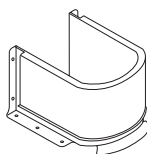
L



M4  
x  
35

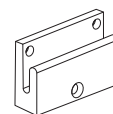
x 9

M



x 2

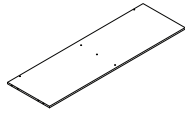
N



x 3

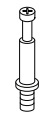
1

4

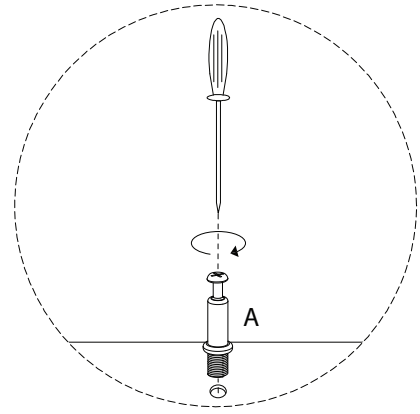
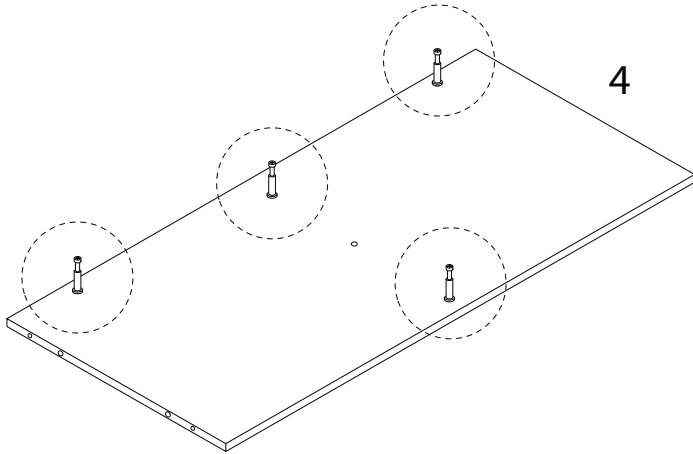


x 1

A



x 4

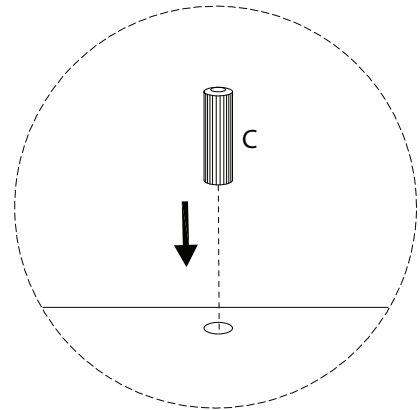
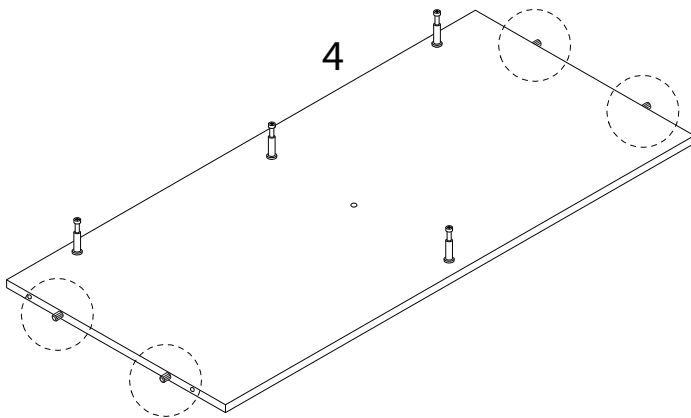


2

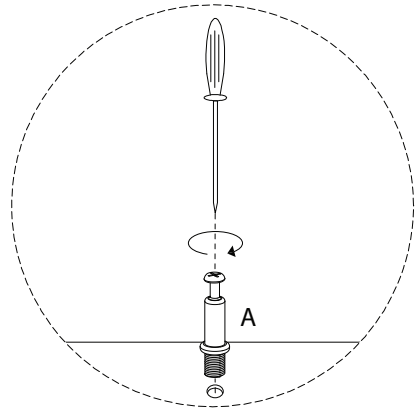
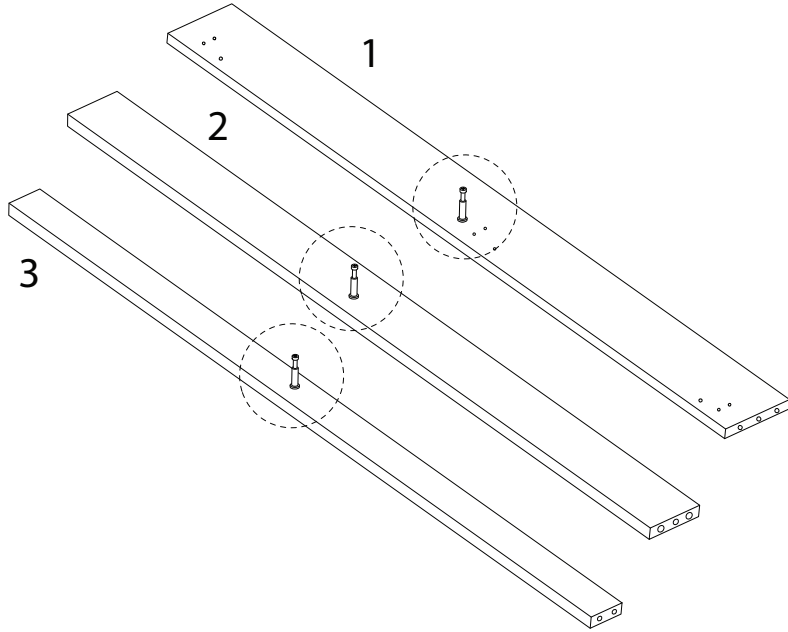
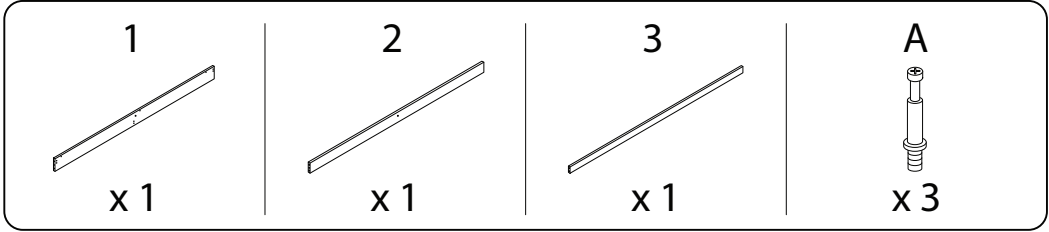
C



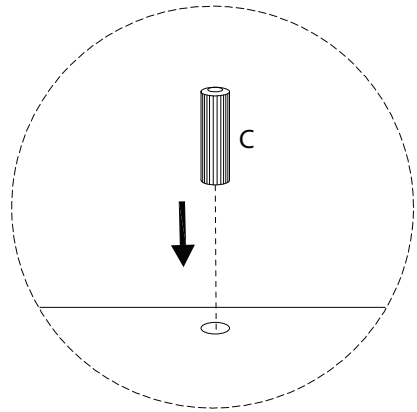
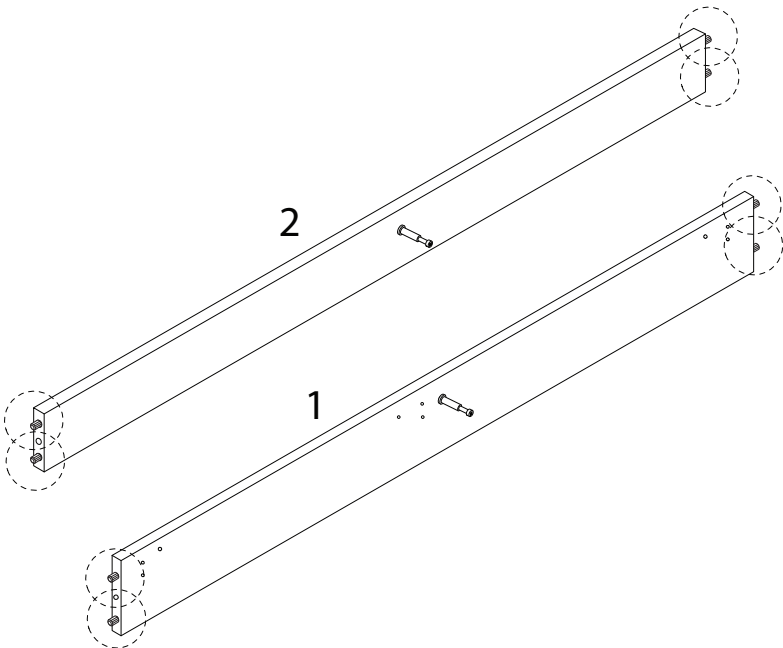
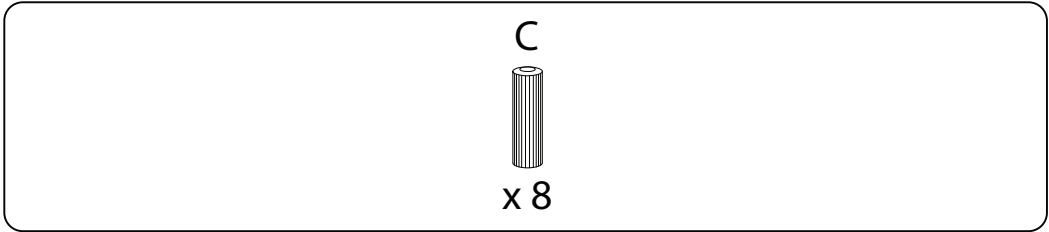
x 4



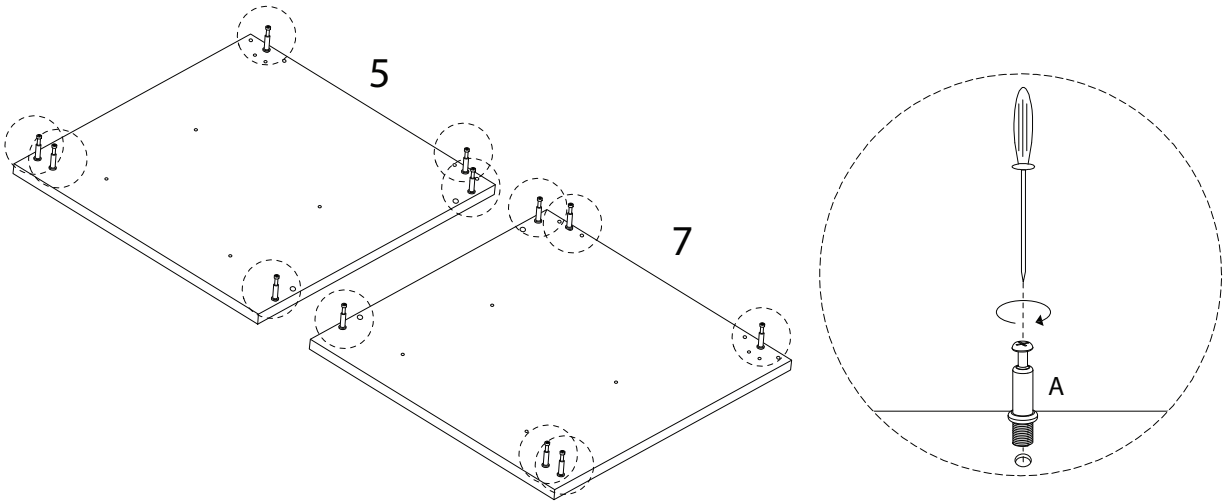
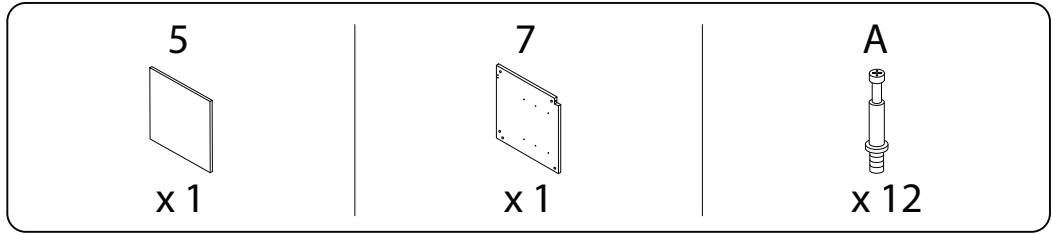
3



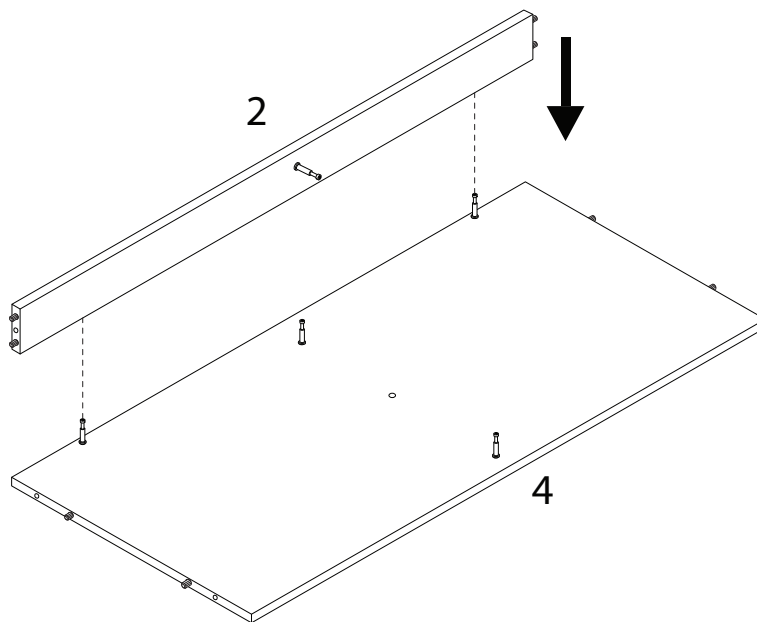
4



5



6

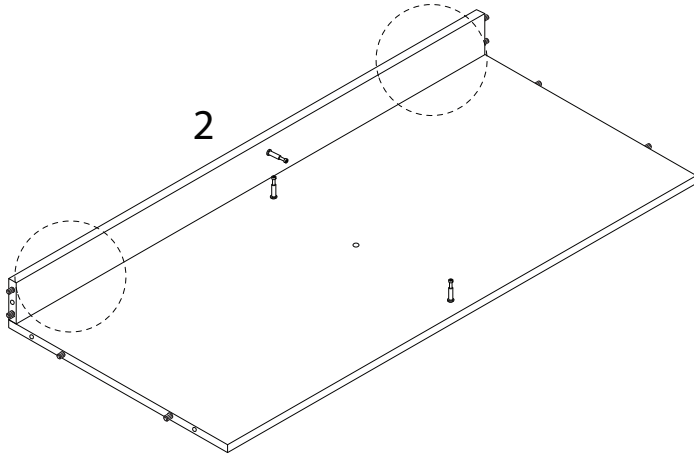


7

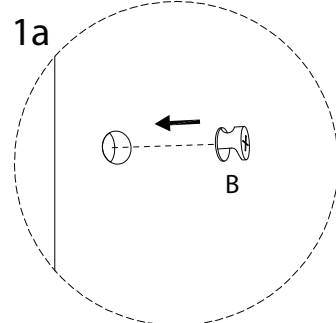
B



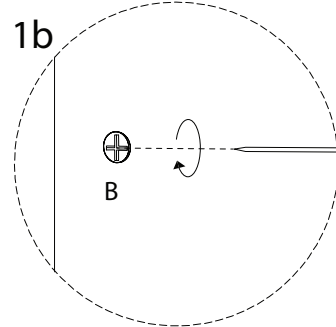
x 2



1a



1b

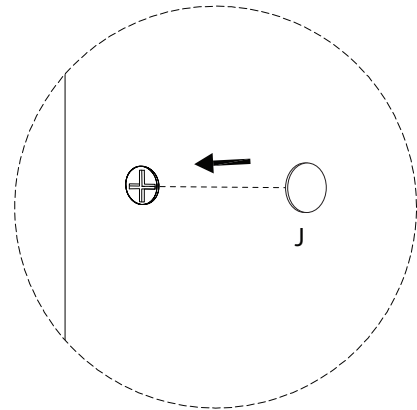
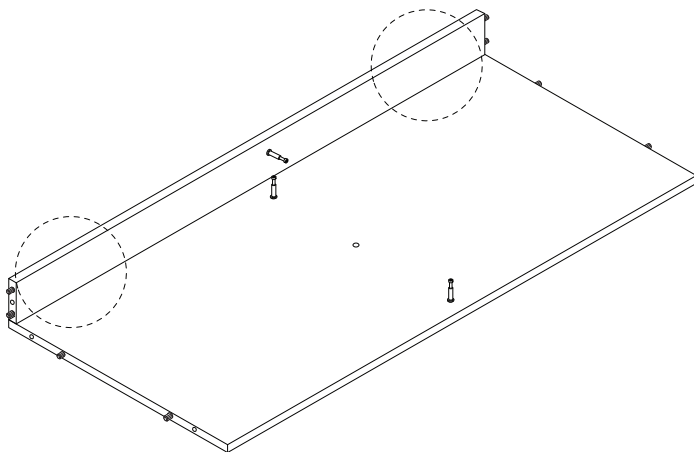


8

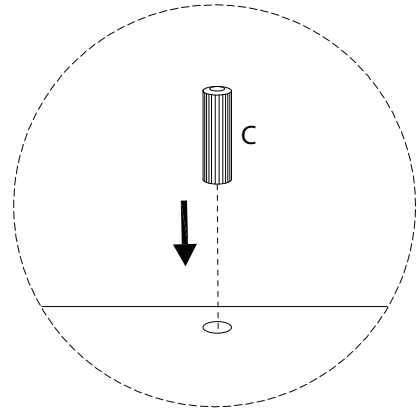
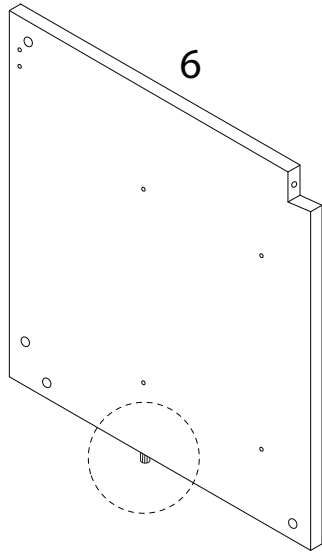
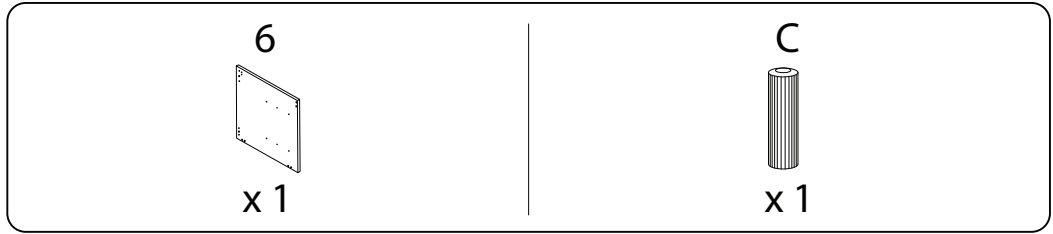
J



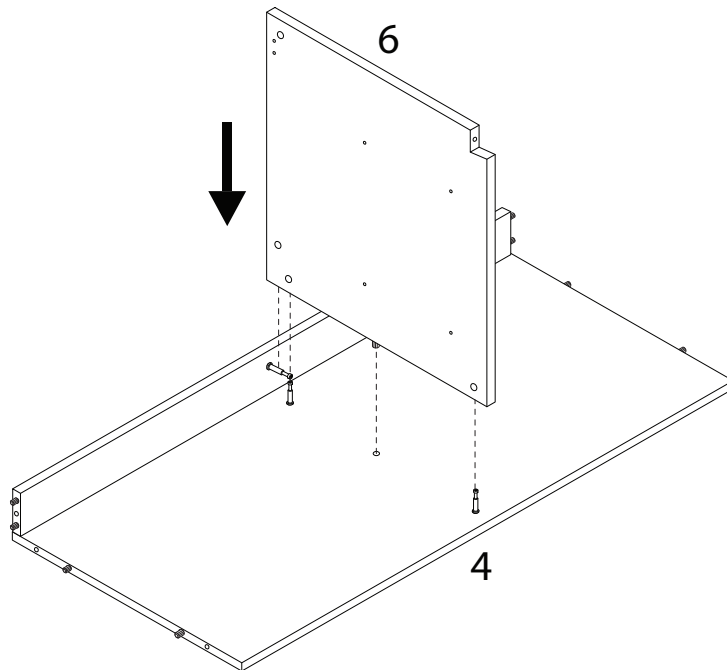
x 2



9



10

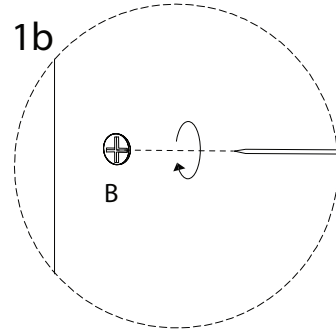
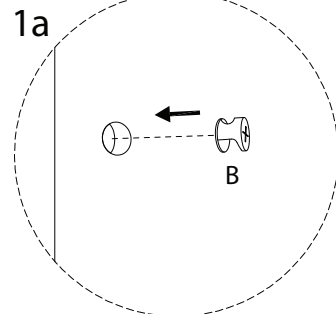
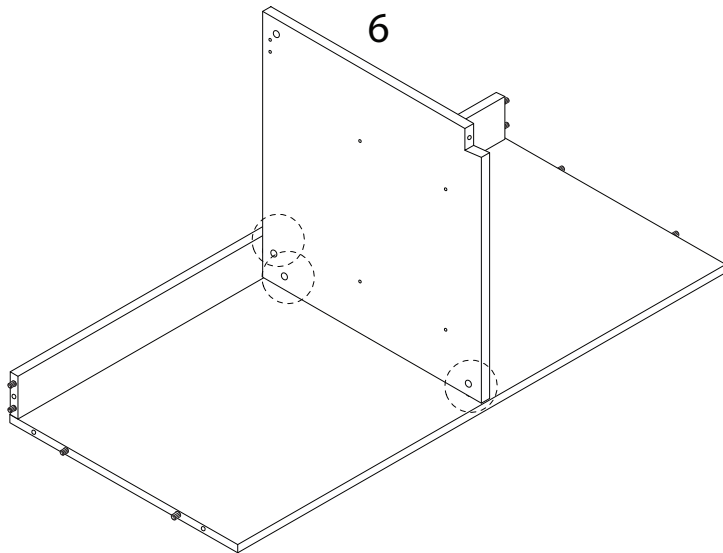


11

B



x 3

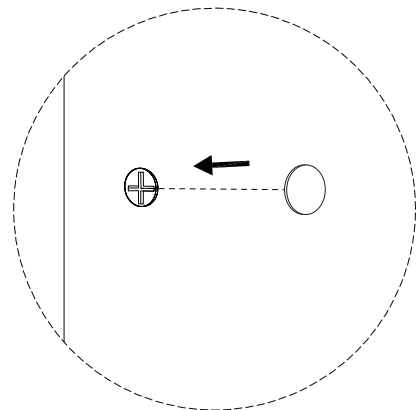
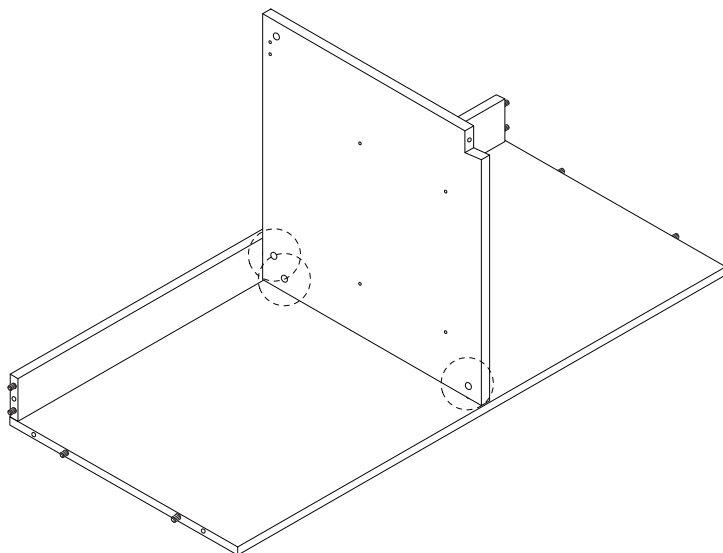


12

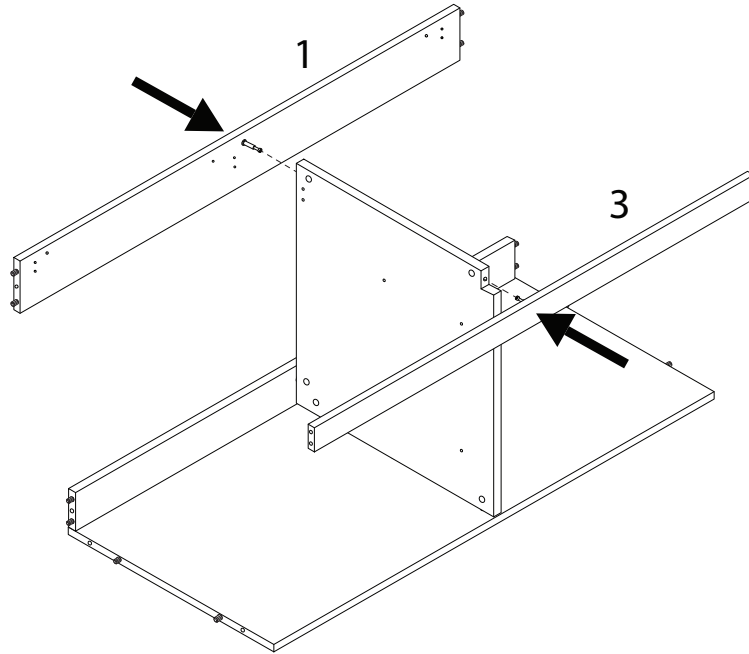
J



x 3



13

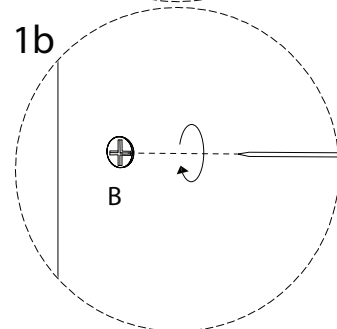
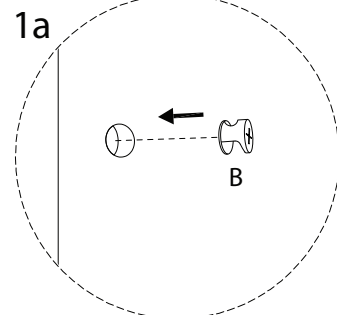
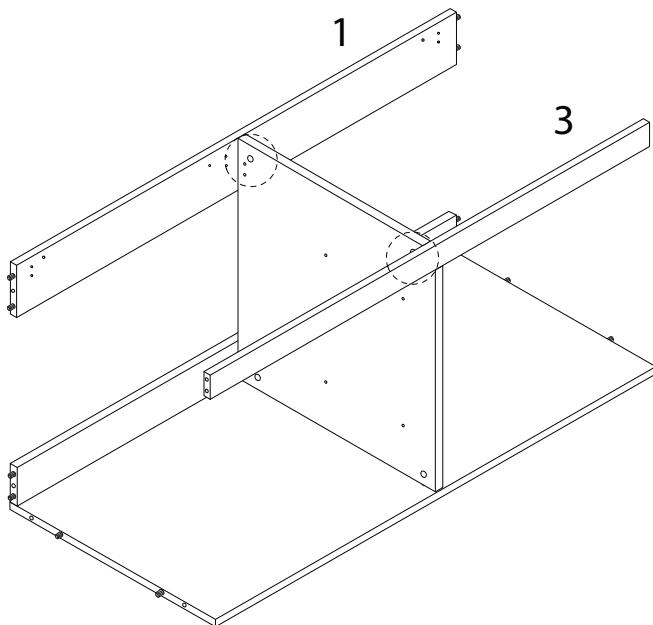


14

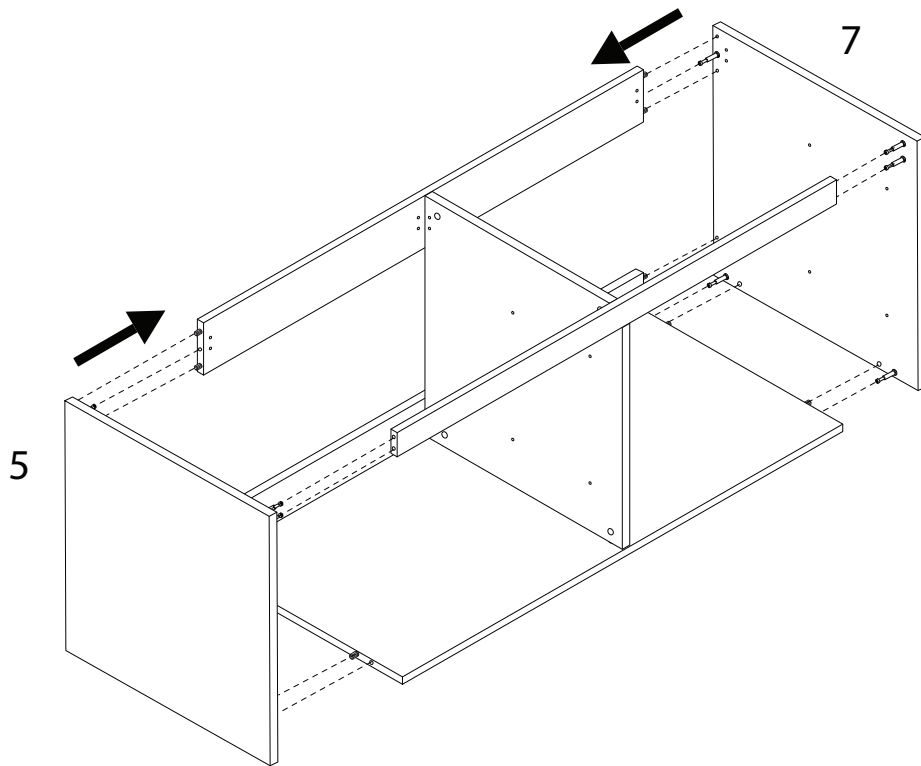
B



x 2



15

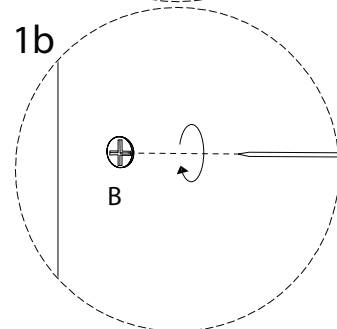
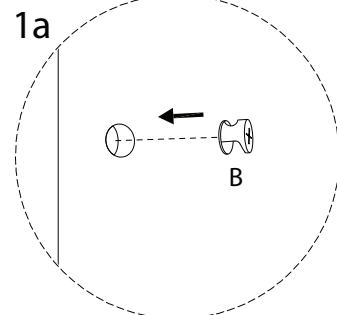
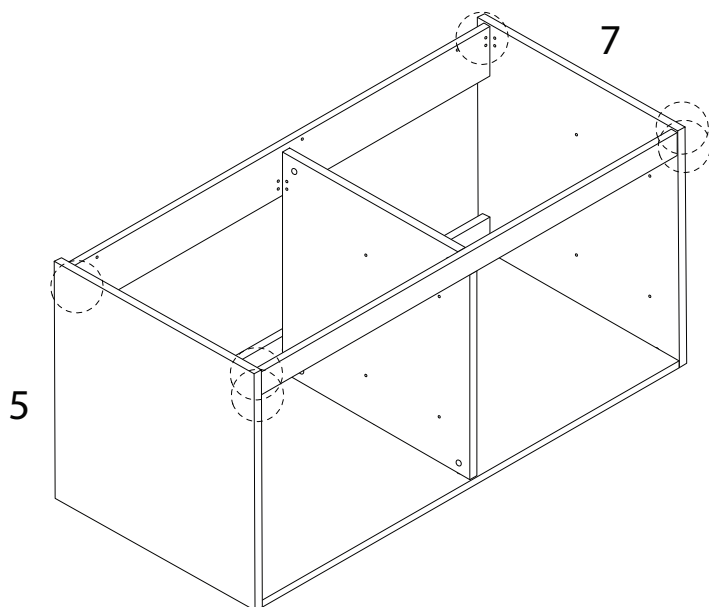


16

B



x 6

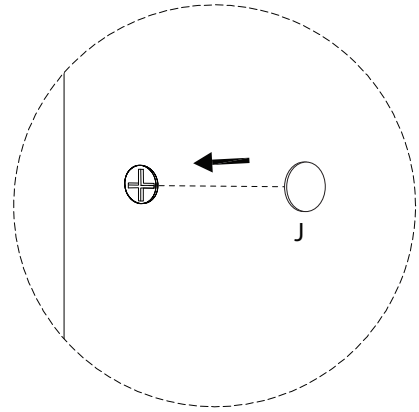
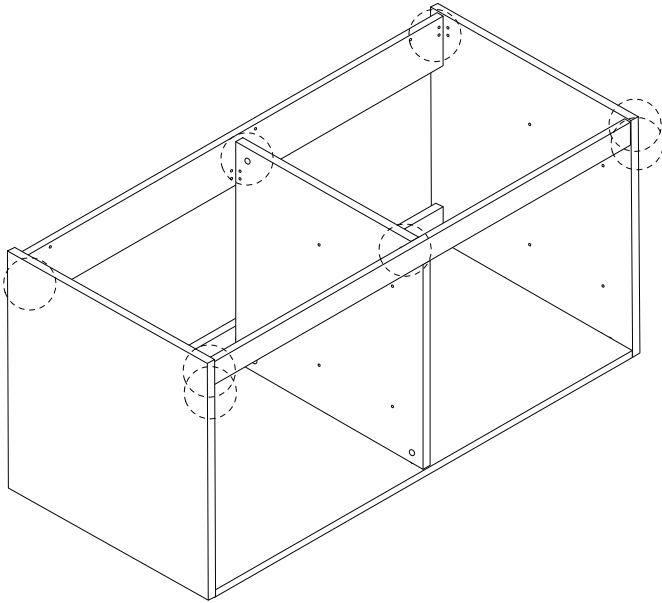


17

J



x 8



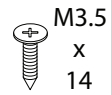
18

D

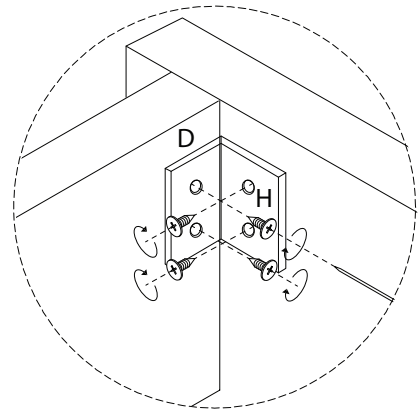
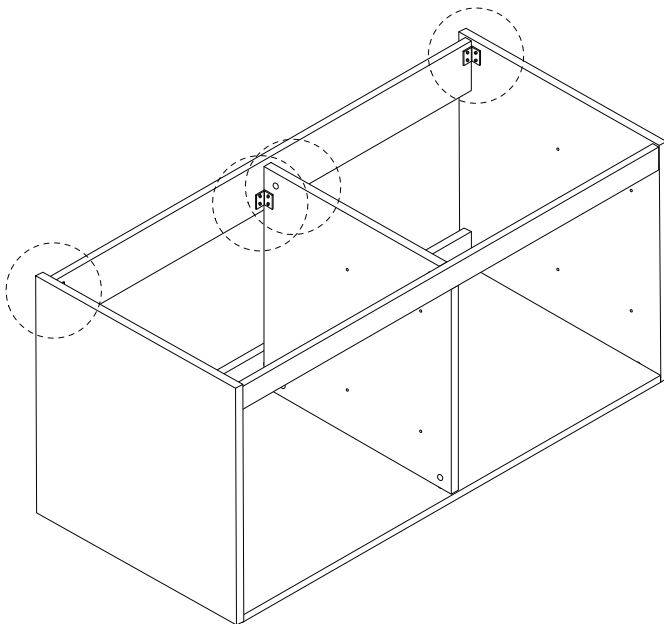


x 4

H



x 16



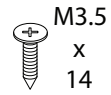
19

F

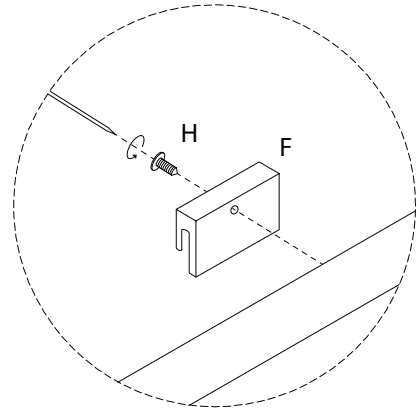
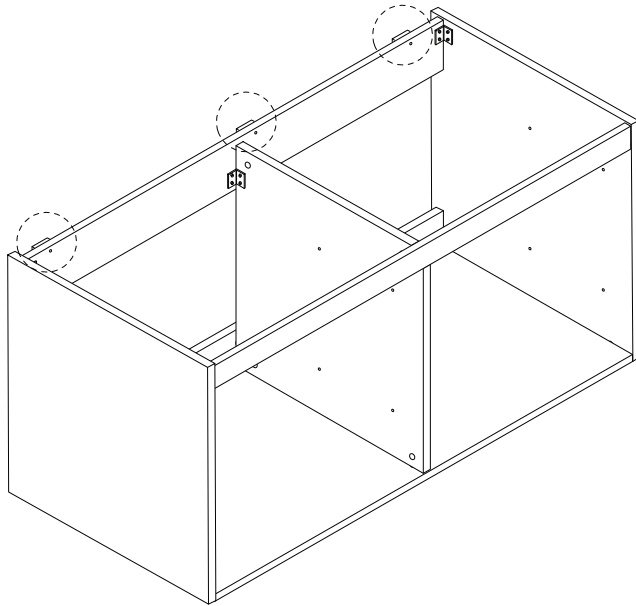


x 3

H

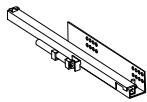


x 3



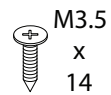
20

G<sub>1</sub>

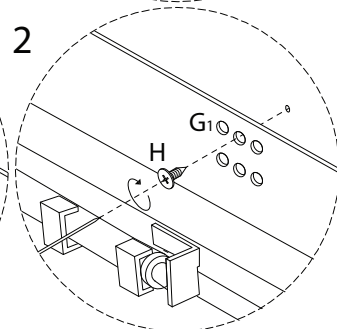
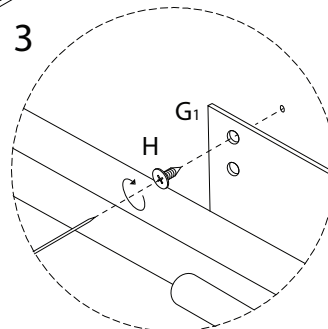
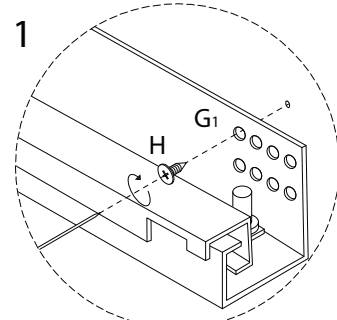
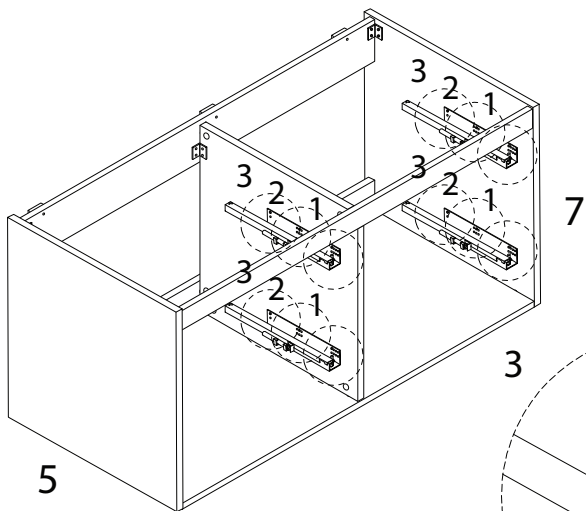


x 4

H

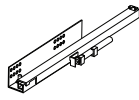


x 12



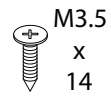
21

G<sub>2</sub>

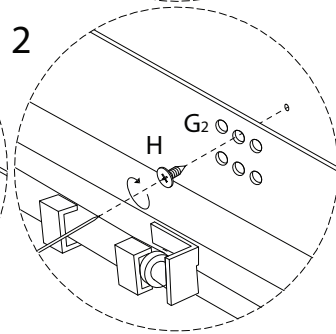
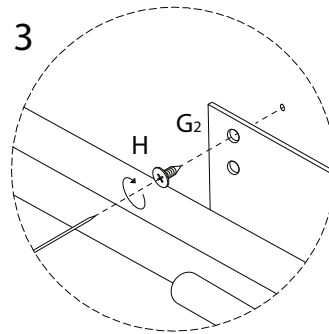
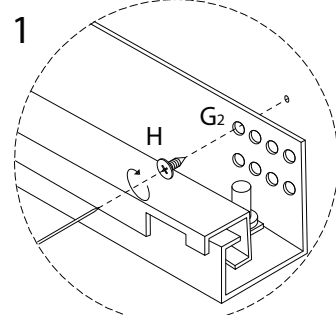
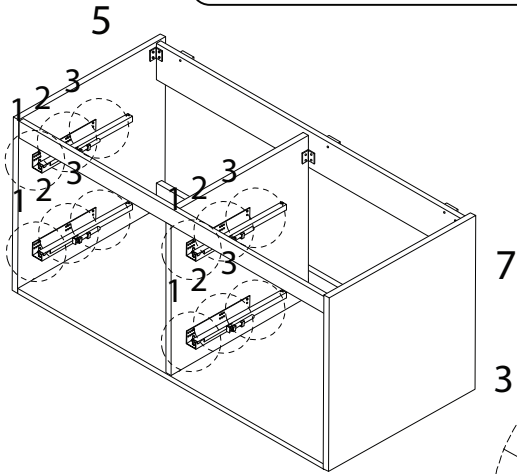


x 4

H

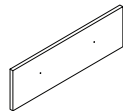


x 12



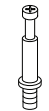
22 x 4

13

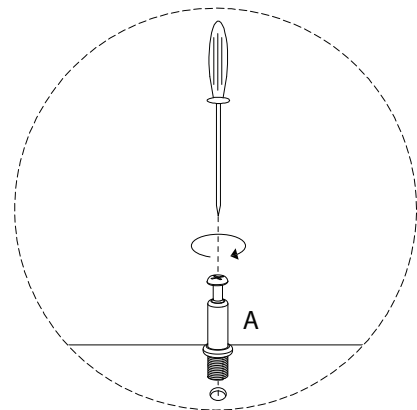
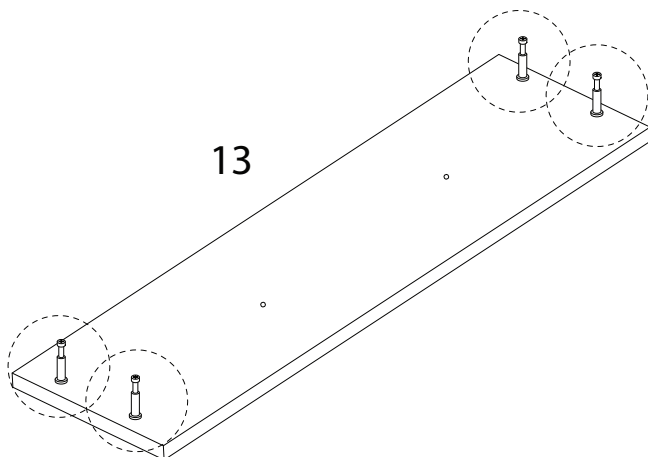


x 1

A

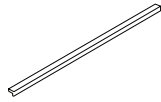


x 4



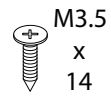
23 x 4

E



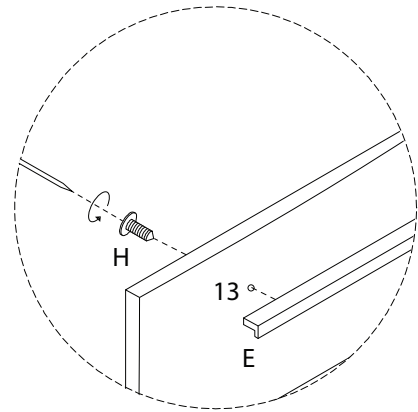
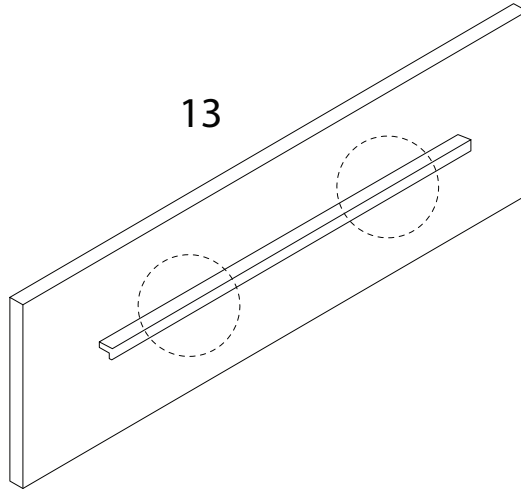
x 1

H



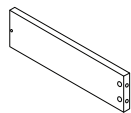
M3.5  
x  
14

x 2



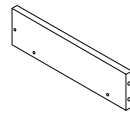
24 x 4

10



x 1

11

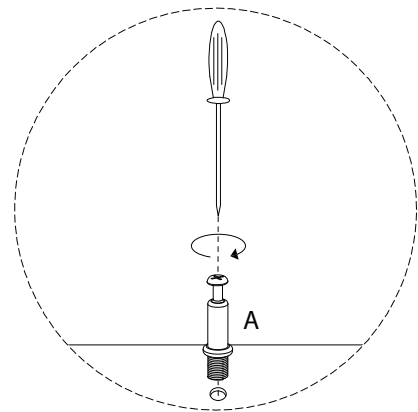
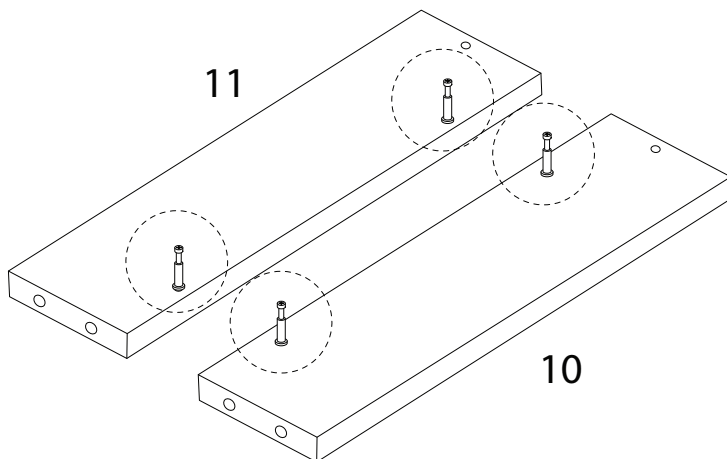


x 1

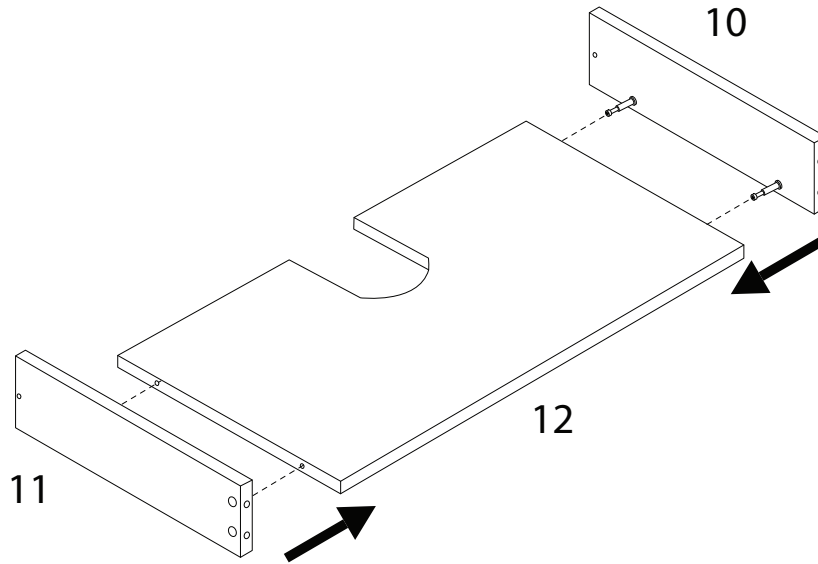
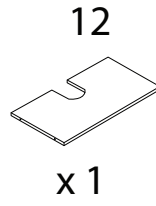
A



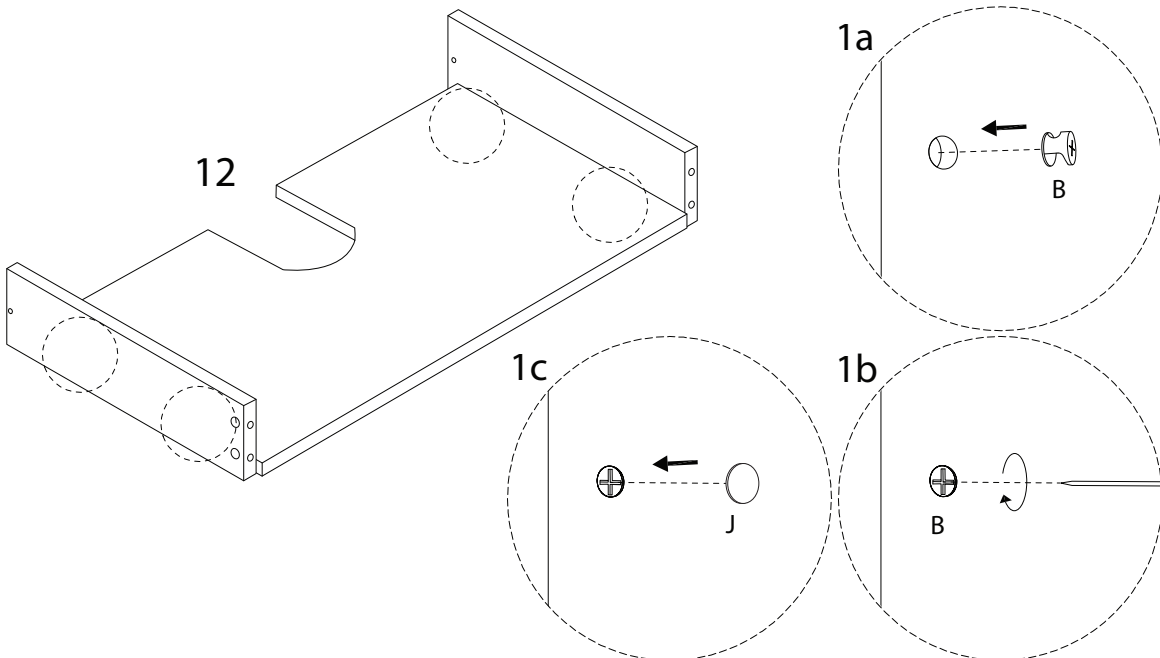
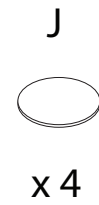
x 4



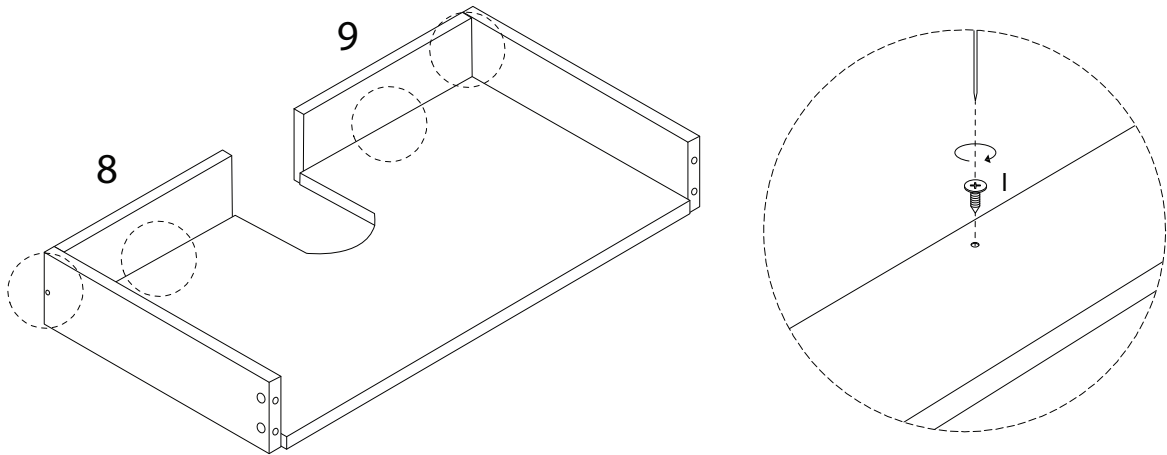
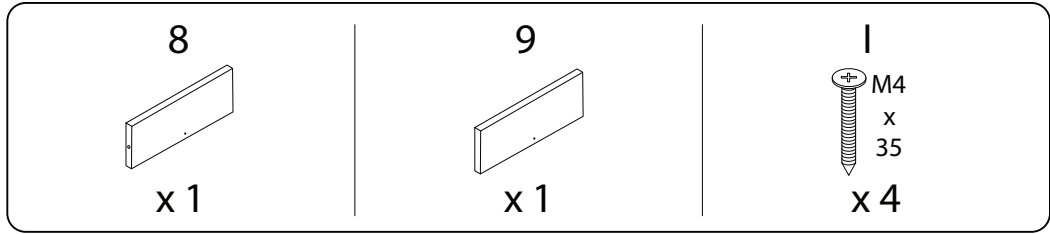
25 x 2



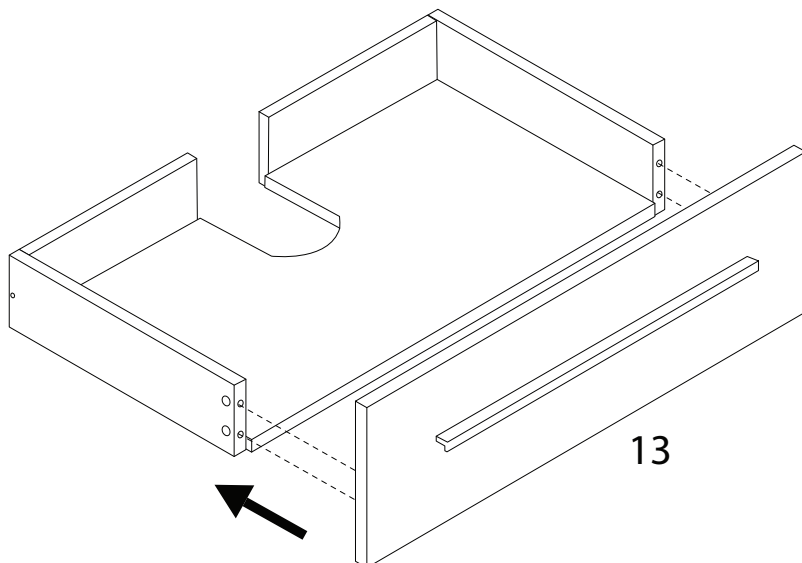
26 x 2



27 x 2



28 x 2



29 x 2

B

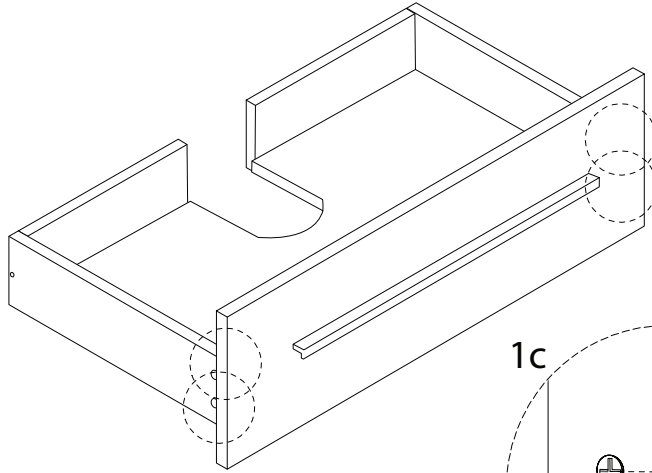


x 4

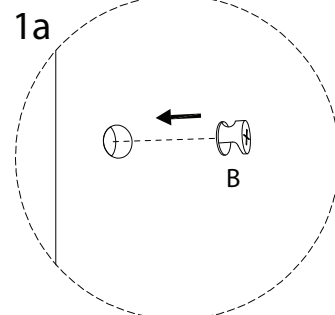
J



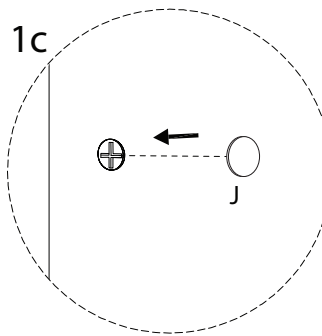
x 4



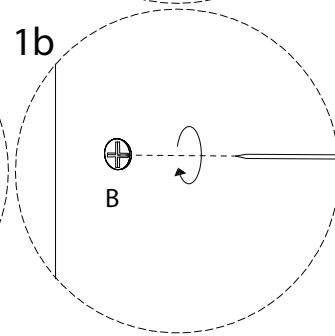
1a



1c

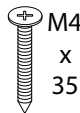


1b



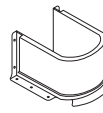
30 x 2

I

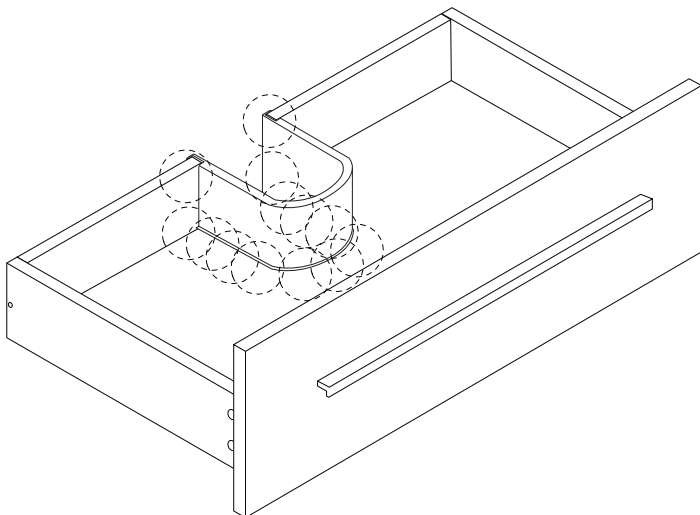


x 13

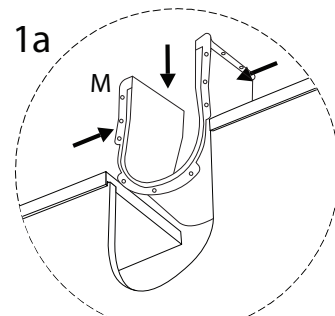
M



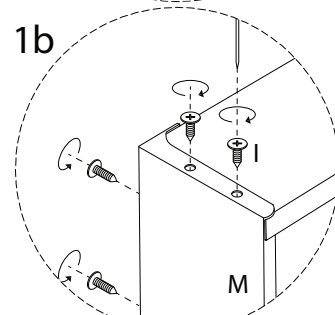
x 1



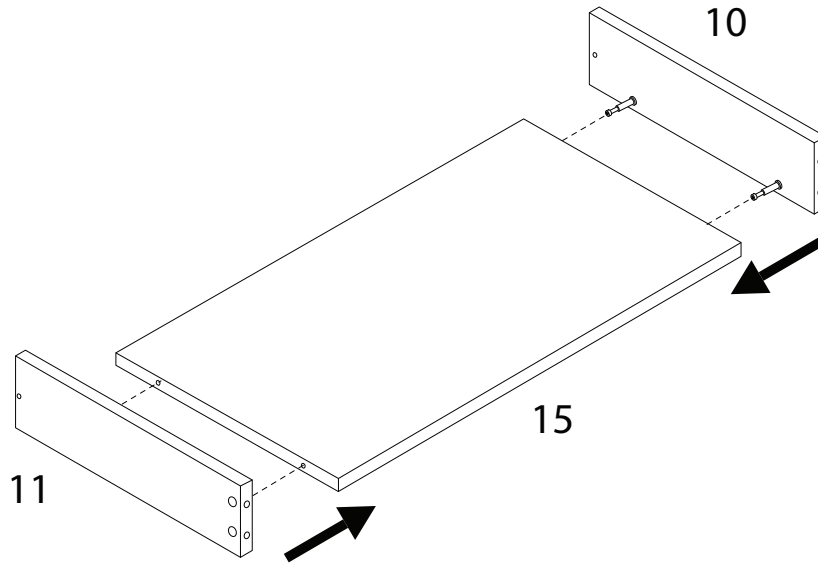
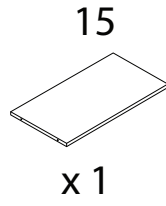
1a



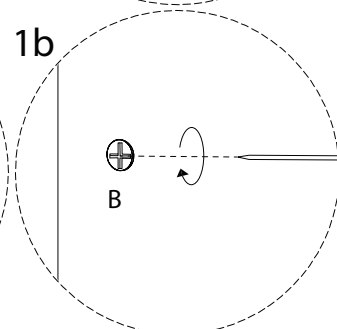
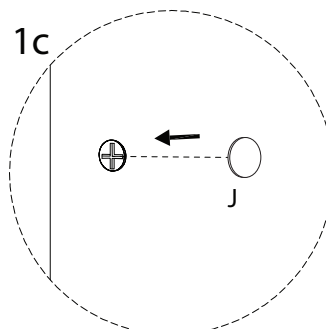
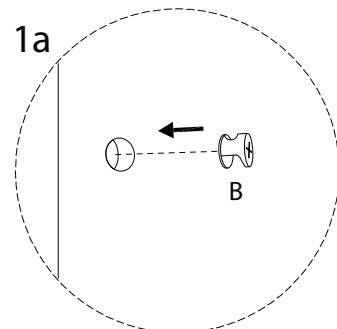
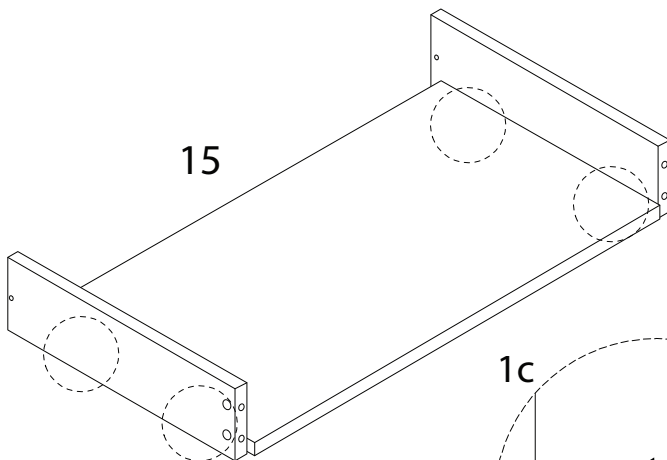
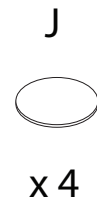
1b



31 x 2

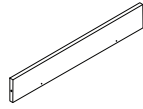


32 x 2



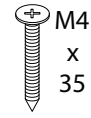
33 x 2

14

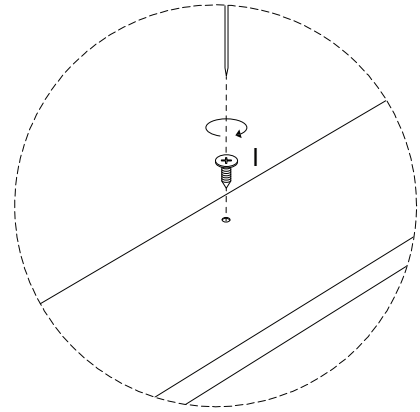
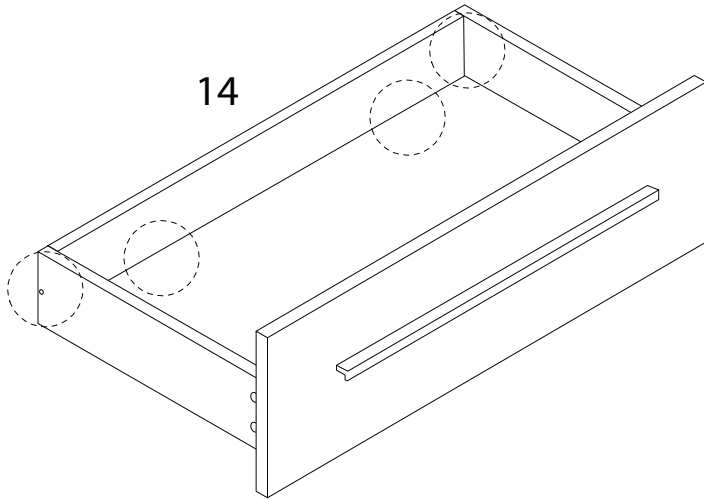


x 1

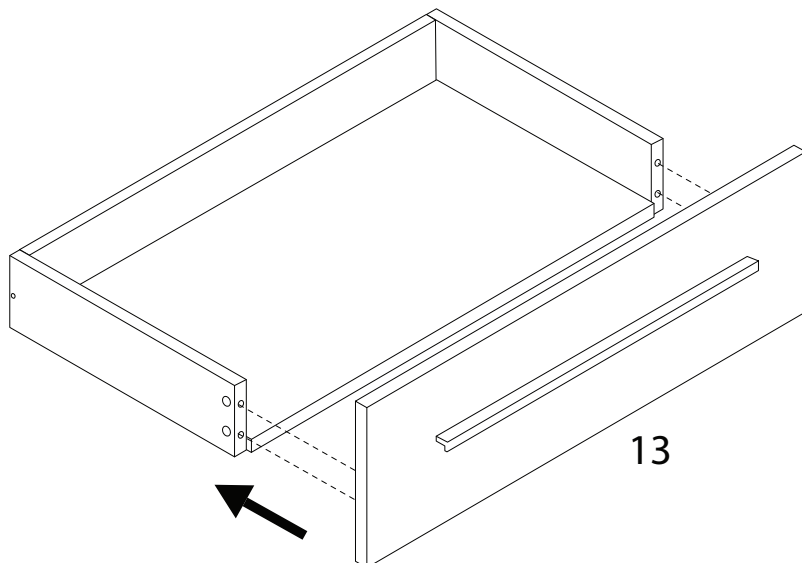
I



x 4



34 x 2



35 x 2

B

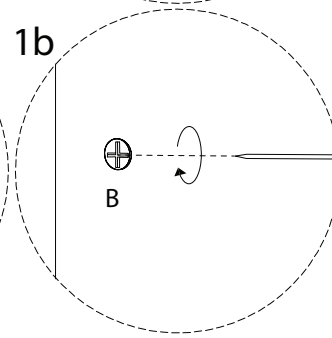
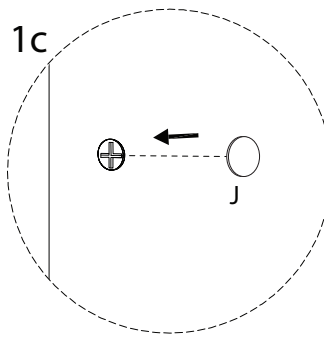
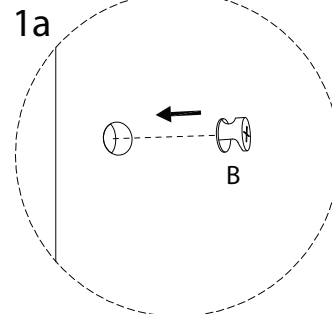
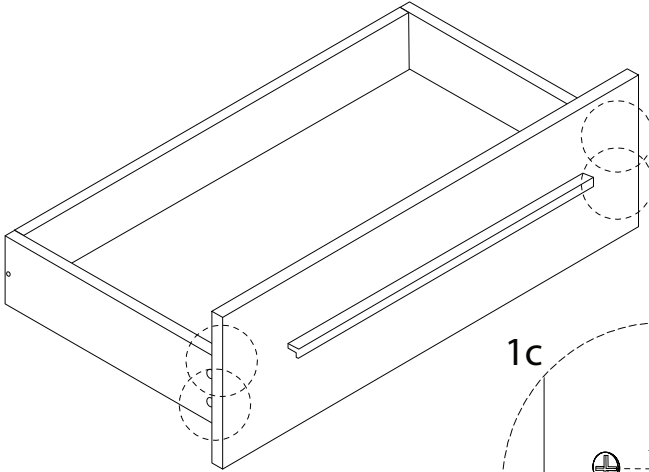


x 4

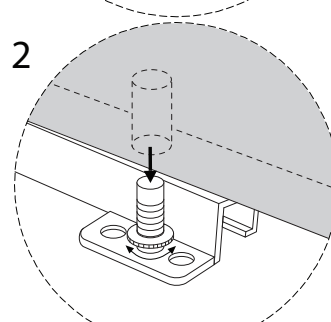
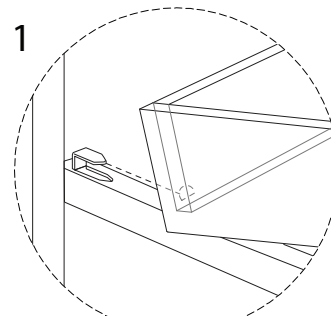
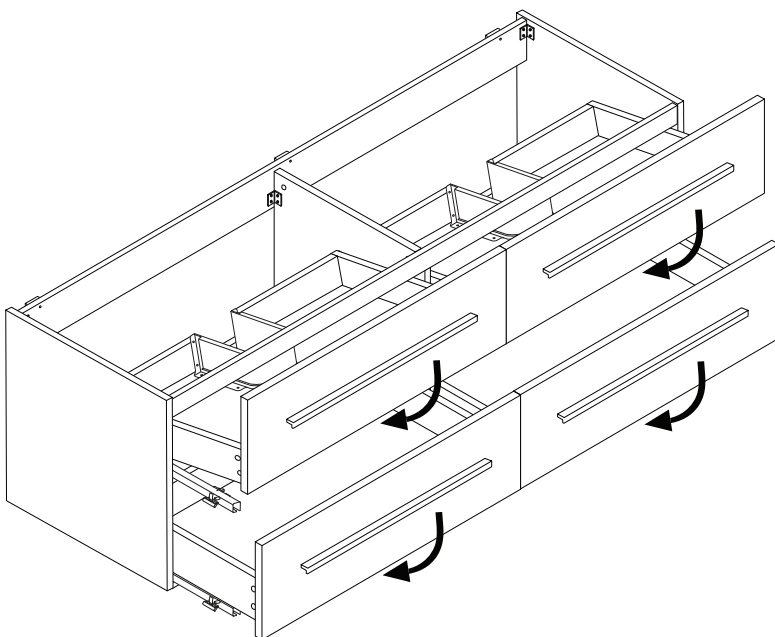
J



x 4

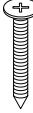


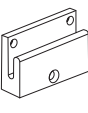
36

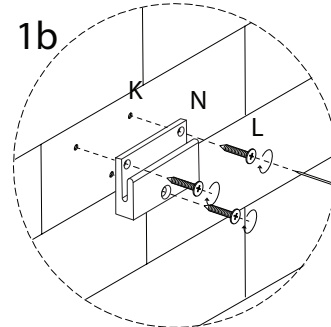
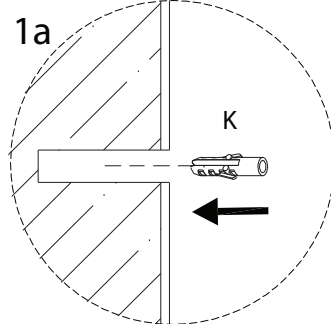
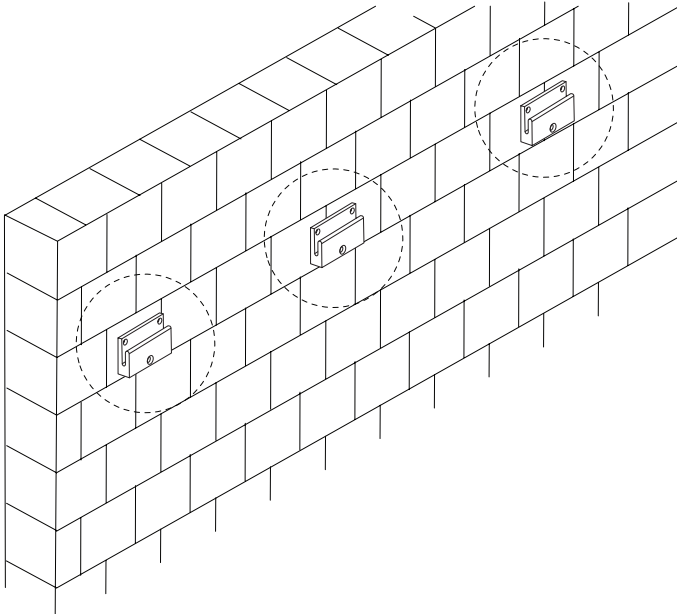


37

K  
  
x 9

L  
  
M4  
x 35  
x 9

N  
  
x 3



38

