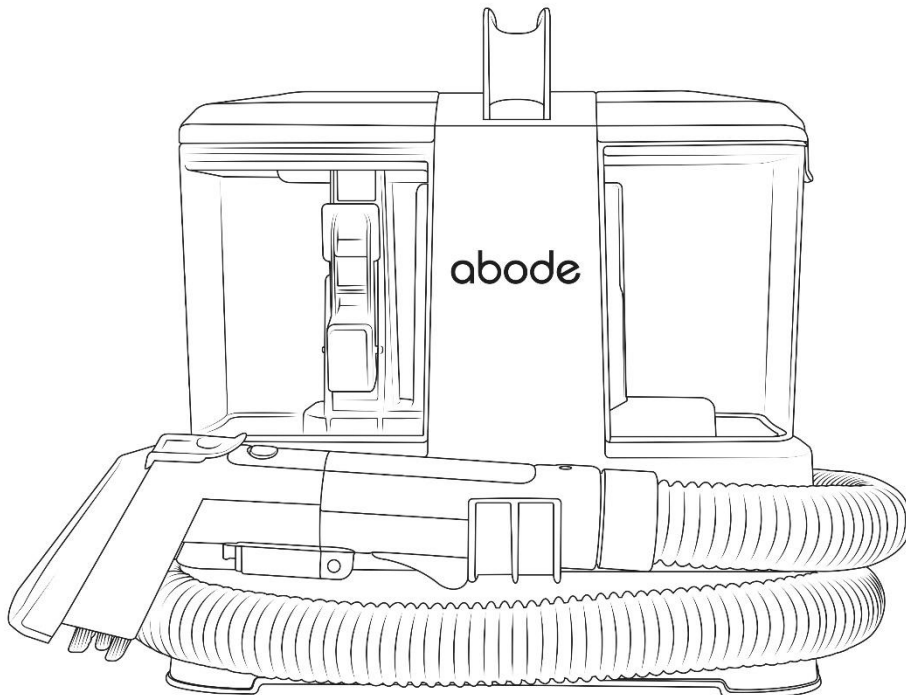


abode

Abode Spot Cleaner



**Model Number:
ASC24C**

For Customer Services & Spare Parts please call **0345 209 7461**

**PLEASE RETAIN FOR FUTURE
REFERENCE**

CONTENTS

	Page(s)
Safety Instructions	3-5
About Your Spot Cleaner	6
Getting Started	7
Using Your Spot Cleaner	8
Tips for Stubborn Stains	9
Product Information	10
Problem Solving	11
Guarantee and Customer Service	12
Connection to the Mains Supply	13
Notes	14-15

SAFETY INSTRUCTIONS

READ CAREFULLY BEFORE USE AND KEEP FOR FUTURE REFERENCE

- It is hazardous for anyone other than a competent person to carry out any service or repair operation that involves the removal of a cover which gives protection against exposure to electrical parts.
- Do not remove parts from the appliance such as screws.
- If the supply cord is damaged, it must be replaced by the manufacturer, its service agent or similarly qualified persons in order to avoid a hazard. Do not use with damaged cord or plug.
- This product is intended for household use only. Do not use outdoors.
- Do not direct at people, animals, electrical outlets, or equipment containing electrical components.
- The use of accessory attachments, detergents or cleaning solutions are not recommended by the appliance manufacturer as they may cause fire, electric shock, injury or damage. Use only as recommended by the manufacturer.
- Ensure the appliance is unplugged before it is cleaned.
- Ensure all outlets are clear when in operation. Do not use with any opening blocked.
- Do not direct the liquid or steam at electrical appliances or electrical components, e.g. ovens.
- Do not dismantle during use.
- Do not leave unattended whilst in use.

SAFETY INSTRUCTIONS

READ CAREFULLY BEFORE USE AND KEEP FOR FUTURE REFERENCE

- Ensure all outlets are clear when in operation. Do not use with any opening blocked.
- Do not direct the liquid or steam at electrical appliances or electrical components, e.g. ovens.
- Do not dismantle during use
- Do not leave unattended whilst in use.
- The appliance should not be used if dropped, if there is visible signs of damage or if it is leaking.
- Keep out of reach of children when cooling down.
- Do not use the appliance to vacuum the following-
 - Sharp objects such as broken glass or broken plastics.
 - Erosive or harmful liquids such as solvents, corrosives, detergents.
 - Flammable substances such as gasoline or alcohol.
 - Cigarettes, hot ashes or other burning objects.
- Always unplug the appliance when not in use.
- This appliance is not intended for use by persons (including children) with reduced physical, sensory or mental capabilities, or lack of experience and knowledge, unless they have been given supervision or instruction concerning use of the appliance by a person responsible for their safety and are over the age of 8 years old.

SAFETY INSTRUCTIONS

READ CAREFULLY BEFORE USE AND KEEP FOR FUTURE REFERENCE

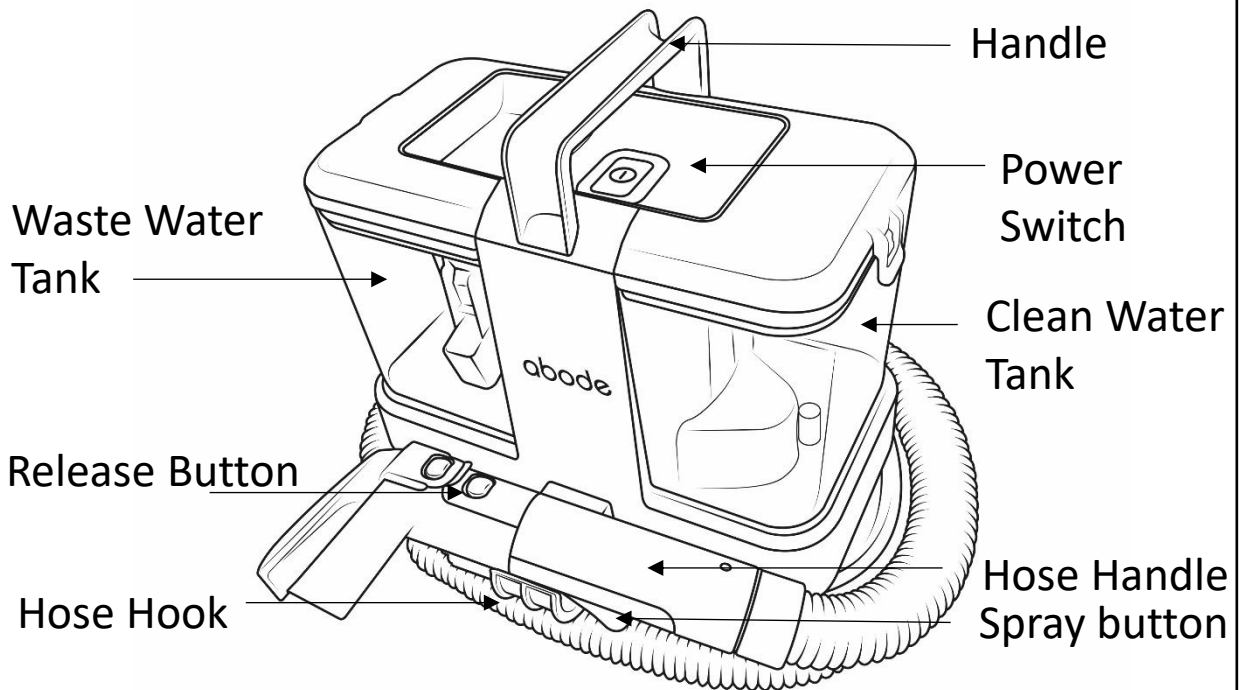
- Do not use solvents that will damage surfaces.
- Do not use diluent, aniline, chloroform or any flammable substances.
- Do not use the appliance to vacuum flammable or combustible substances.
- Do not vacuum oil, smoke or steam.
- Do not vacuum dry dust.
- Do not operate near combustible substances.
- Use only clean water at 40 degrees Celsius or below.
- If the supply cord is damaged, it must be replaced by the manufacturer, its service agent or a similarly qualified person in order to avoid a hazard.
- Young children should be supervised to ensure that they do not play with the appliance.

FOR HOUSEHOLD USE ONLY

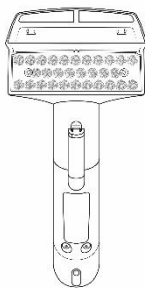
INSTRUCTIONS SHOULD BE KEPT

ABOUT YOUR SPOT CLEANER

Parts



Tough Stain Brush

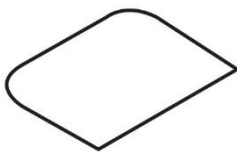


Upholstery Nozzle

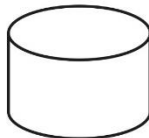


Internal Parts

Rubber Seal



Air Inlet Sponge

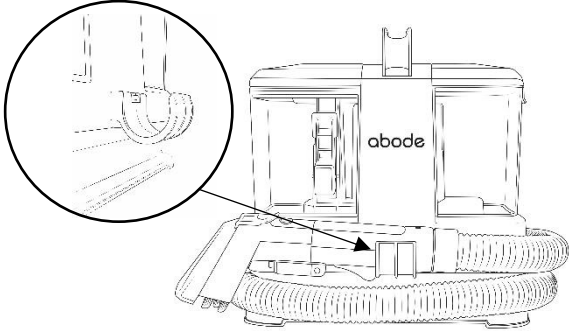


Filtering Sponge

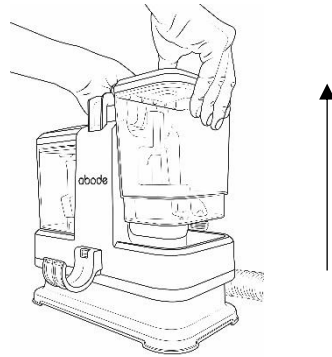


GETTING STARTED

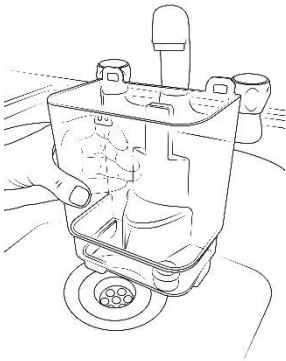
1. Insert the hose hook into place.



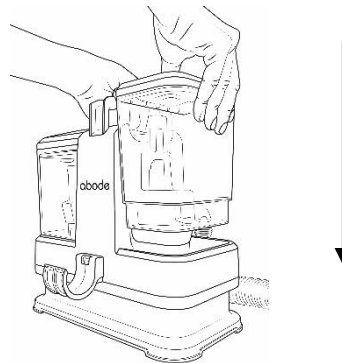
2. Remove clean water tank from machine.



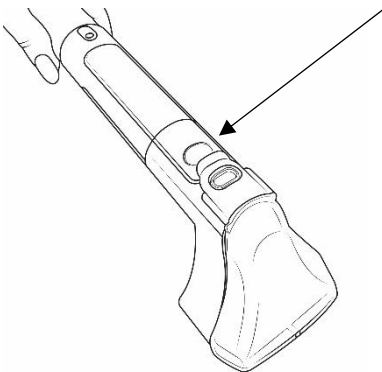
3. Lift top cover of clean water tank off and fill with water to the "max" line. Replace the lid onto the tank and listen for the click!



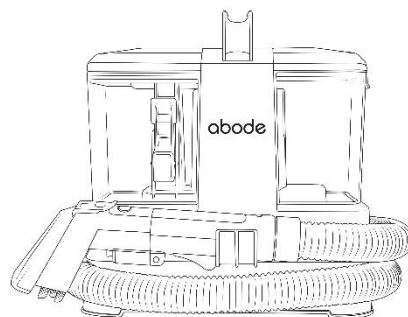
4. Reinstall the clean water tank. Ensure that you do not shake the tank.



5. Fix your chosen accessory into place. Slide the opening on the accessory over the release button.



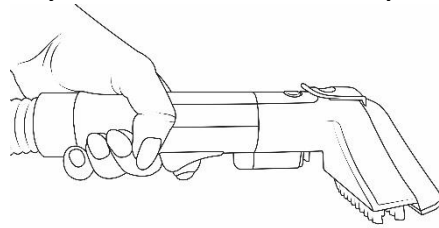
6. Store the wire and hose correctly onto the machine before moving around.



USING YOUR SPOT CLEANER

Operating Instructions

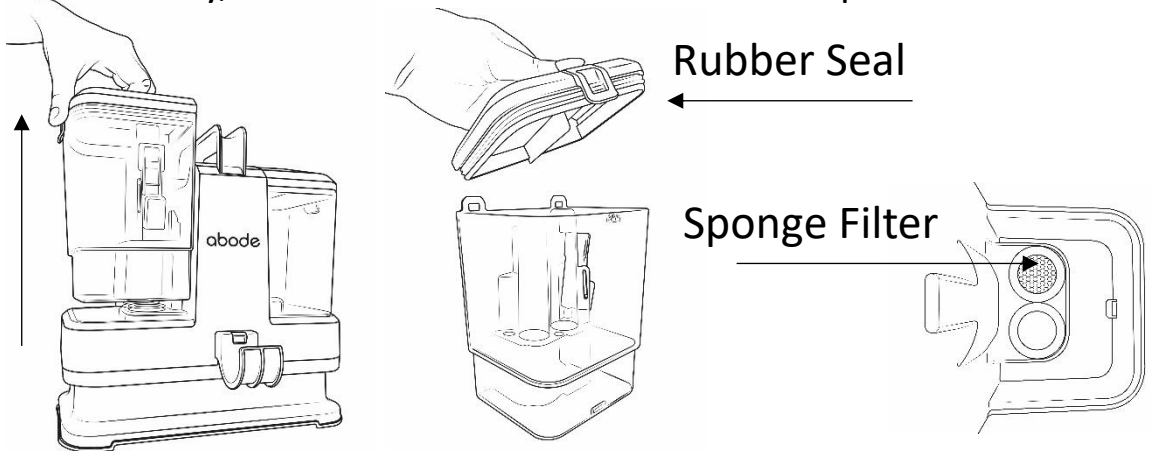
- Insert the plug into the socket and switch on the power.
- Turn the machine on using the power switch.
- Spray clean water onto the area to be cleaned by pressing down the “Spray Button” and then pat with a towel.



- Vacuum the wastewater by releasing the spray button and moving the nozzle over the affected area.
- Turn off the power once finished and unplug the unit.
- Remove and clean both water tanks.
- Remove and clean the sponge filter from the waste-water tank.

Caution: Avoid shaking the tanks during removal and insertion

- Ensure the waste-water tank is thoroughly cleaned by removing the rubber seal and rinsing this too.
- Once dry, reinsert the rubber seal into the top cover.

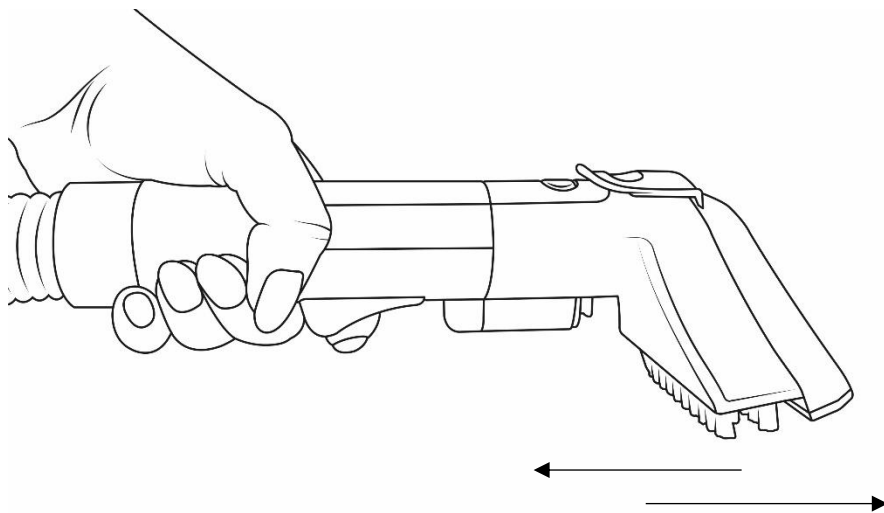


TIPS FOR STUBBORN STAINS

- Apply your choice of appropriate stain remover to the affected area as outlined by the manufacturer's instructions.
- Connect the stubborn stain tool to the hose.
- Fill the clean water tank with warm water – up to 40 degrees Celsius.

Caution: Do not use chloroform, diluents or aniline

- If using a detergent which produces a lot of foam, keep a close eye on the “max” fill level of the waste-water tank and do not exceed this. Foam could enter the unit and cause damage.
- Move the tool back and forward to lift the dirt and detergent.

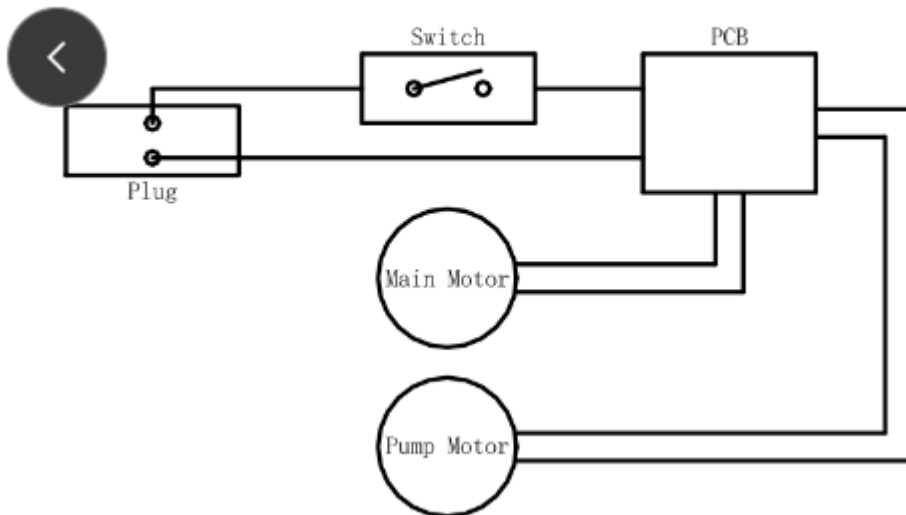


PRODUCT INFORMATION

Technical Specification

Model number	ASC24C
Rated Input	AC 220-2240V 50Hz
Net Capacity Clean Water	0.8 litres
Net Capacity Dirty Water	0.5 litres
Wattage (W)	330W
Dimensions :	(H)26 x (W)22 x (D)27 cm

Electrical Schematic diagram



PROBLEM SOLVING

Problem	Cause	Action
Not working properly	Waste tank full	Empty waste tank
Restricted water spray	Issue with hose	Check for blockages/ damage
	Water tank not inserted correctly	Remove and insert correctly
	Inlet air sponge filter is blocked	Remove and clean or replace sponge

GUARANTEE & CUSTOMER SERVICES

At Abode, we take all our customer feedback seriously.

Feel free to contact our Customer Service Team on

0345 209 7461

who will be more than happy to assist you.

This product is guaranteed for **12 months** from the date of the original purchase. If any defect arises due to faulty materials or workmanship, the faulty product must be returned to the place of purchase.

Refund or replacement is at the discretion of the retailer.

The following conditions apply:

- The product must be returned to the retailer with the original proof of purchase.
- The product must be installed and used in accordance with the instructions contained in this instruction guide and any other instructions for use which are supplied.
- It must be used for domestic purposes only and for its intended use.
- This warranty does not cover wear and tear, damage, misuse or consumable parts.

CONNECTION TO THE MAINS SUPPLY

WARNING- THIS APPLIANCE MUST BE EARTHED

This appliance is designed to operate from a mains supply of AC220V - 240V; 50HZ.

Check that the voltage marked on the product corresponds with your supply voltage.

For UK use only – Plug fitting details (where applicable):

As the colours of the wires in the mains lead of this appliance may not correspond with the coloured markings identifying the terminals in your plug, proceed as follows:

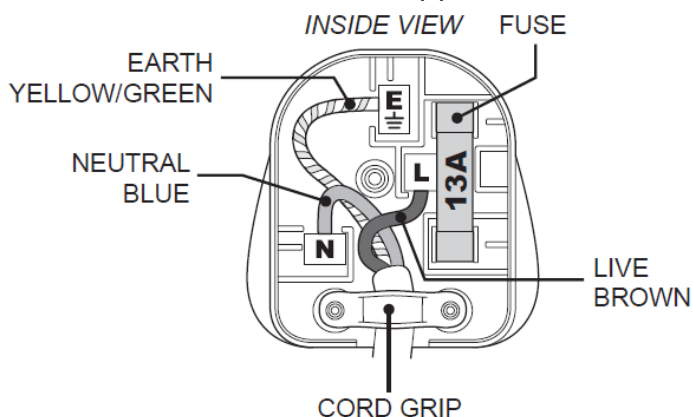
The GREEN/YELLOW wire is the EARTH and must be connected to the terminal which is marked with the letter E or by the earth symbol or coloured GREEN or GREEN/YELLOW.

The BLUE wire is the NEUTRAL and must be connected to the terminal marked with the letter N or coloured BLACK.

The BROWN wire is the LIVE wire and must be connected to the terminal marked with the letter L or coloured RED.

Always ensure that the plug cord grip is fastened correctly.

If a 13A (BS1363) fused plug is used it must be fitted with a 13amp fuse conforming to BS1362 and be BSI or ASTA approved.



NOTES

A large, empty rounded rectangular box with a thin black border, intended for taking notes. The box is centered on the page and occupies most of the vertical space below the header and above the footer.

NOTES

A large, empty rounded rectangular box with a thin black border, intended for writing notes. The box is centered on the page and occupies most of the vertical space below the header and above the footer.

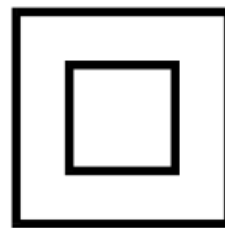
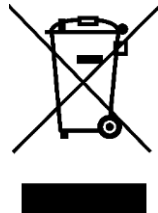
abode

Made by Product Care Trading Limited

Product Care Trading Ltd, Unit 1, Green Bank Business Park, Swan Lane,
Hindley Green, Wigan, WN2 4AY, United Kingdom

Product Care (Ireland) Ltd, Unit 3D North Point House, North Point Business Park,
New Mallow Road, Cork, T23 AT2P, Ireland

Abode Support: call **0345 209 7461**



The 'wheellie bin' symbol is known as the 'Crossed-out wheellie bin Symbol'.

When this symbol is marked on a product/batteries, it means that the product/batteries should not be disposed of with your general household waste. Only discard electrical/electronic/battery items in separate collection schemes, which cater for the recovery and recycling of materials contained within. Your co-operation is vital to ensure the success of these schemes and for the protection of the environment. For your nearest disposal facility, visit www.recycle-more.co.uk or ask in store for details.

SEDEX – Connecting businesses and their global suppliers to share ethical data and enabling improvement in ethical performance. Visit www.sedex.org.uk for further information.

We reserve the right, due to possible changes to design, to alter the instruction manual without prior notice.

Revision 1.7