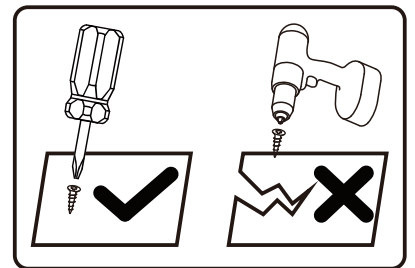
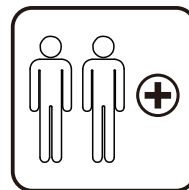
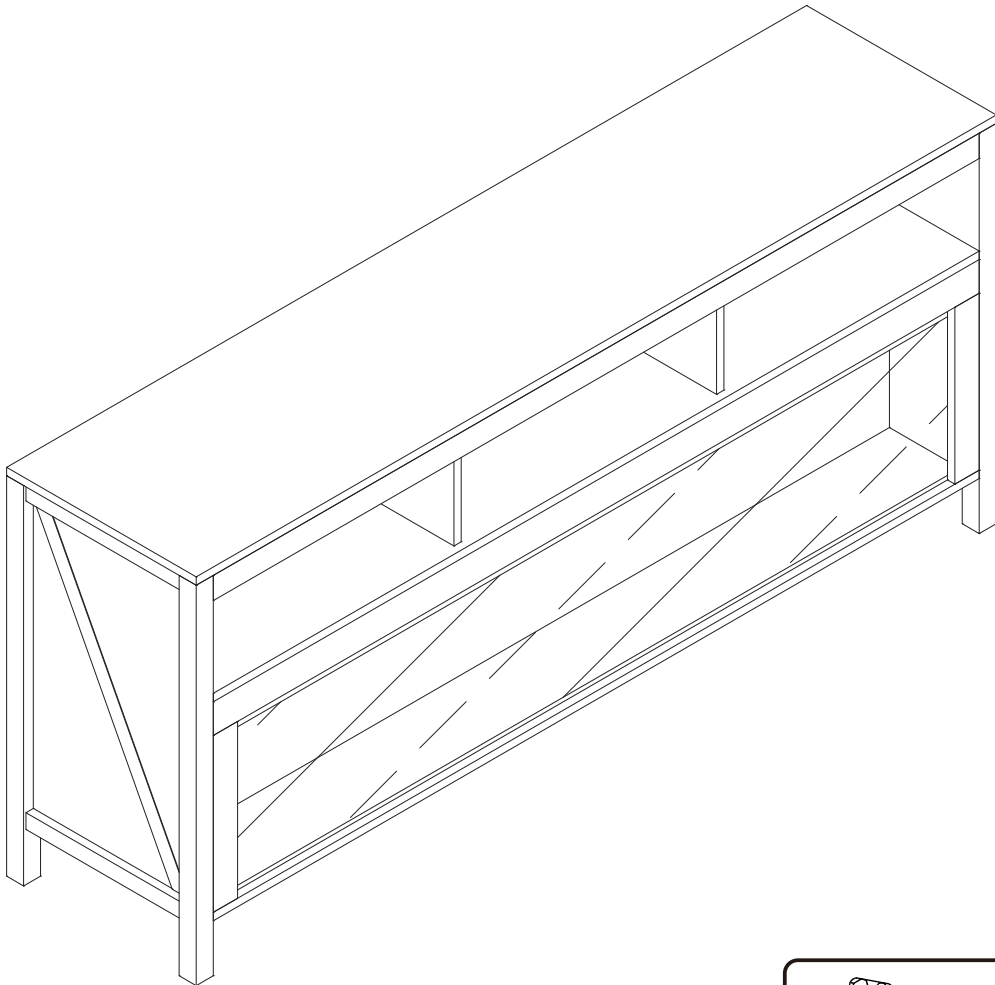
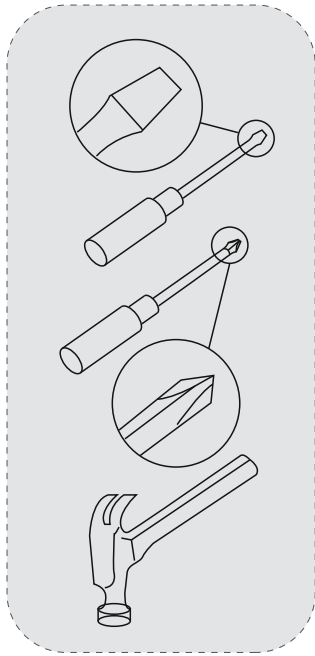

Assembly Instructions



Tools Recommended

This Instructions Contains Important Safety Information. Please Read Before Assembly And Keep For Future Reference.

IMPORTANT NOTICE



- This product contains small components, please ensure that they are kept away from small children.
- THIS INSTRUCTIONS CONTAINS IMPORTANT SAFETY INFORMATION. PLEASE READ BEFORE ASSEMBLY AND KEEP FOR FUTURE REFERENCE.
- Read each step carefully. It is very important that each step of instruction is performed in the correct order. If these steps are not followed in sequence, assembly difficulties will occur.
- Make sure all parts are included. Most parts are labeled or stamped on the raw edge.
- Work in spacious area, preferably on a carpet, near the place the unit will be used.
- Do not use power tools to assemble your furniture. Power tools may strip or damage the parts.
- Move your new furniture carefully, with two people lift and carry the unit to its new location.
- Never push, drag or pull your furniture (especially on carpet).

PLEASE DO NOT RETURN PRODUCT TO US IMMEDIATELY

- If any parts are missing or damaged, do not return the damaged item to your dealer, contact Customer Service, We will gladly ship you replacement parts FREE of charge!
- Thank you for choosing our products.
- For prompt, Reliable Customer Service, Please have your assemble instruction ready.



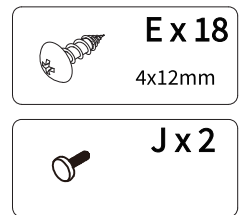
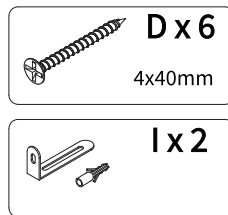
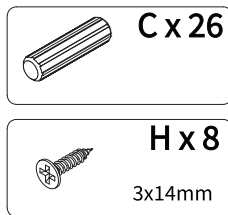
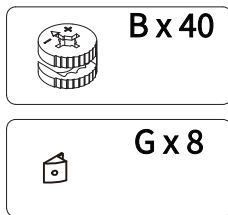
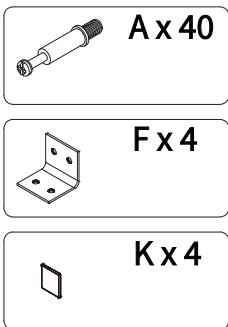
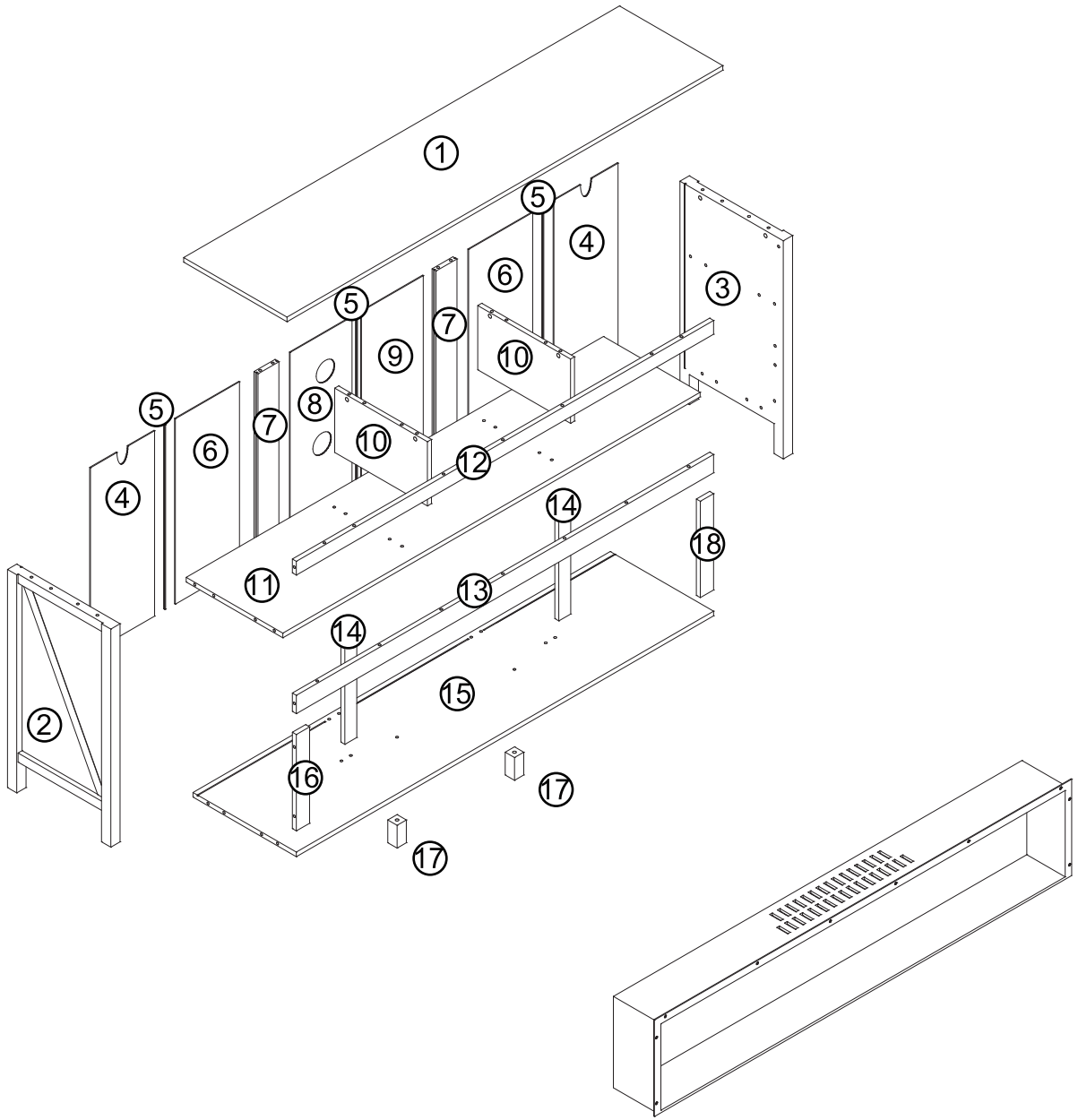
WARNING

(Death or serious injury may occur when children climb on audio and/or video equipment furniture.)

To reduce the risk of furniture tipover:



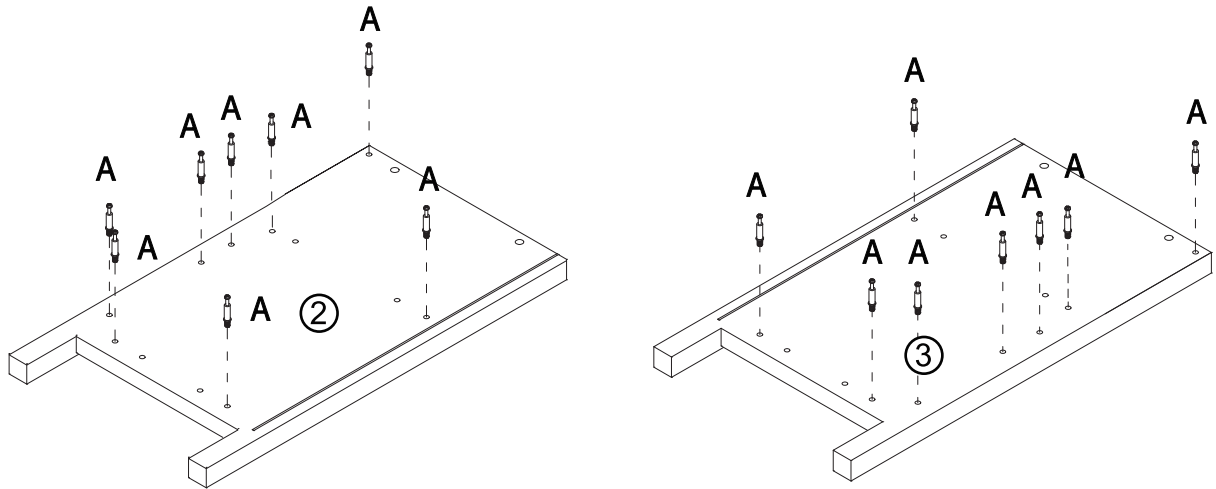
- NEVER attempt to move this furniture without first removing all equipment.
- NEVER placing remote control or toys on the furniture, may encourage a child to climb on the furniture and as a result the furniture may tip over onto the child.
- Please contact us using the details shown for further advice.



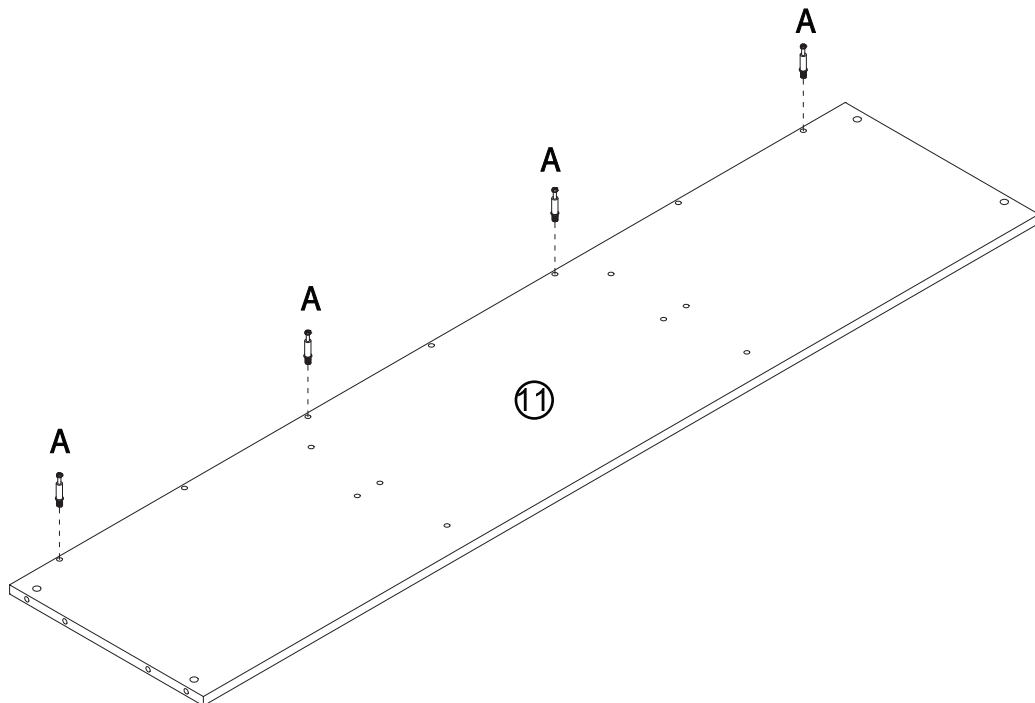
Step 1

Install the part (A) on the panel②,panel③.

The installation position is as shown in the figure below.



Step 2



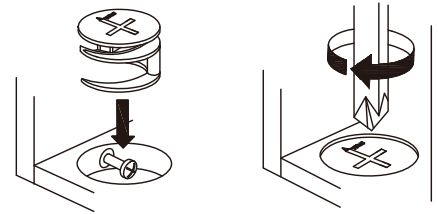
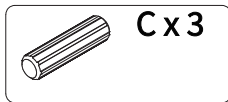
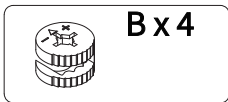
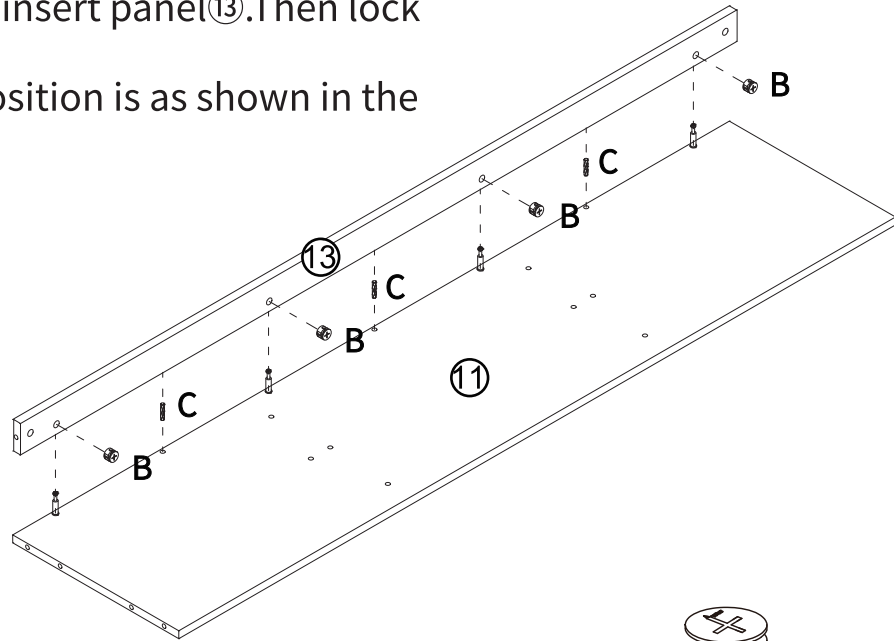
Install the part (A) on the panel①①.

The installation position is as shown in the figure below.

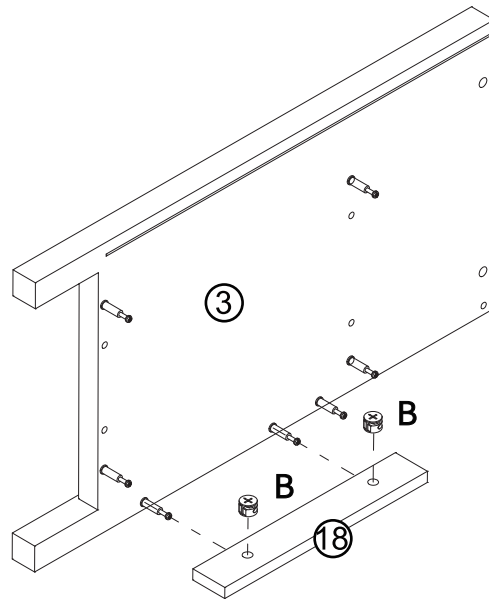


Step 3

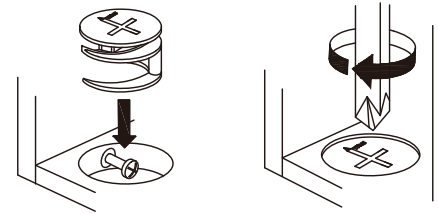
Insert part (C) into the corresponding holes of panel ⑪, and then insert panel ⑬. Then lock them with part (B).
The installation position is as shown in the figure below.



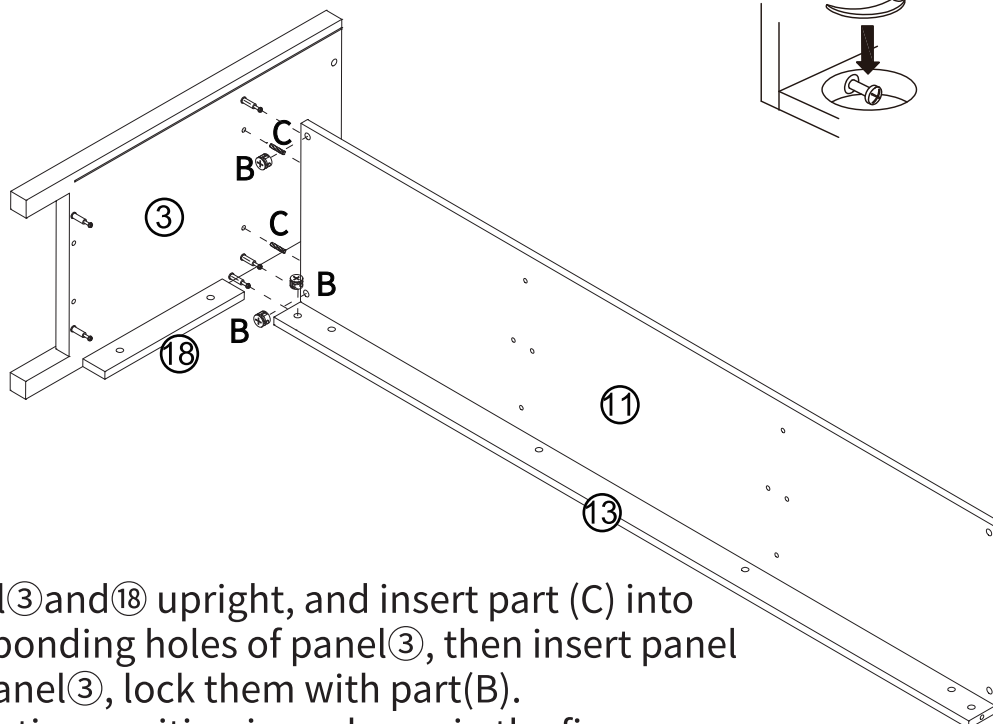
Step. 4



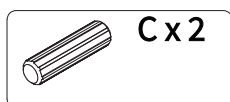
Insert panel ⑱ into the corresponding holes on panel ③ and lock with part (B).
The installation position is as shown in the figure below.



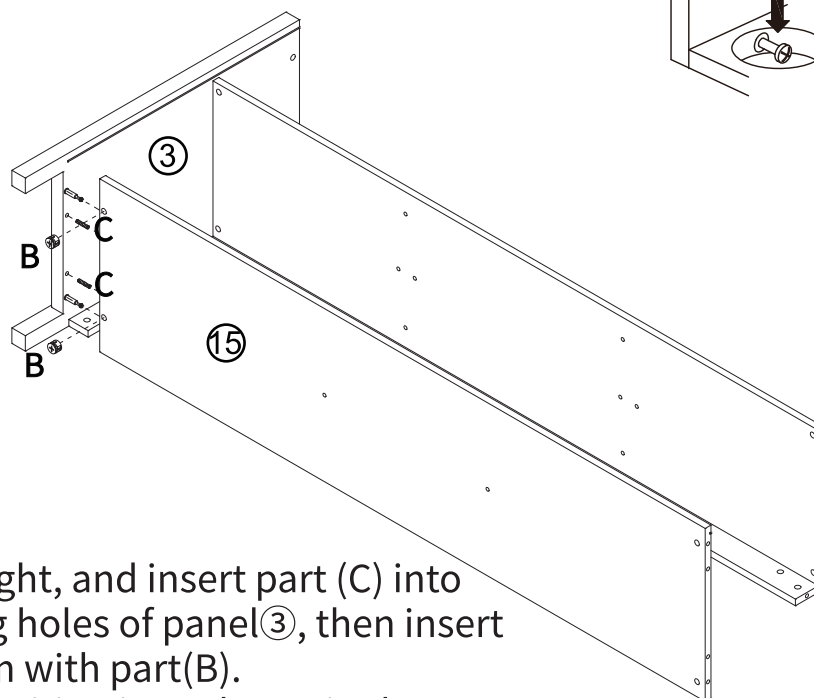
Step 5



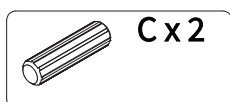
Hold panel ③ and ⑱ upright, and insert part (C) into the corresponding holes of panel ③, then insert panel ⑪ ⑬ into panel ③, lock them with part (B).
The installation position is as shown in the figure below.



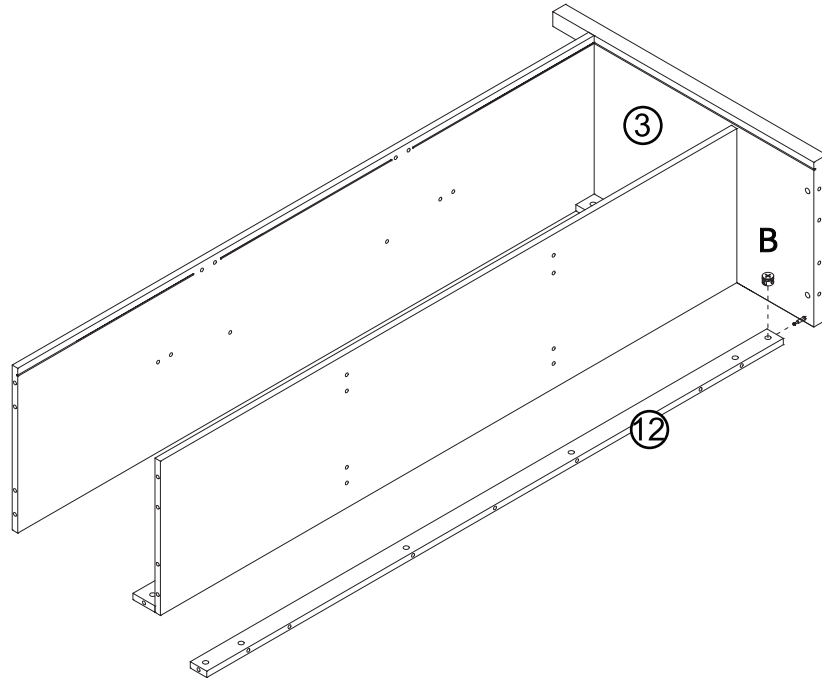
Step 6



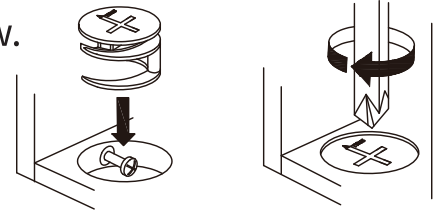
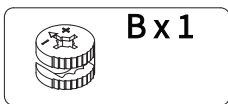
Hold panel ⑮ upright, and insert part (C) into the corresponding holes of panel ③, then insert panel ⑮, lock them with part (B).
The installation position is as shown in the figure below.



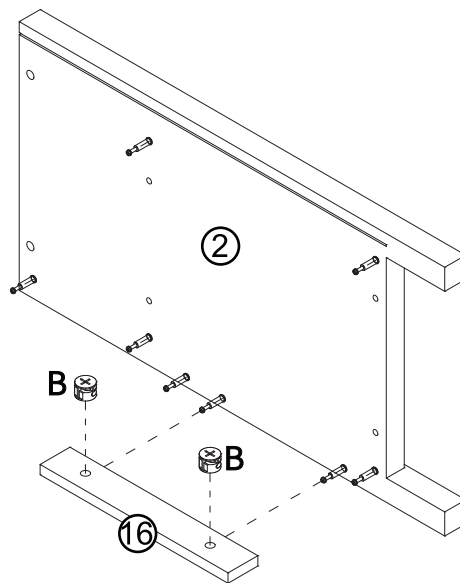
Step 7



Lay panel 12 flat, then insert panel 12 into the corresponding holes on panel 3 and lock with part (B).
The installation position is as shown in the figure below.

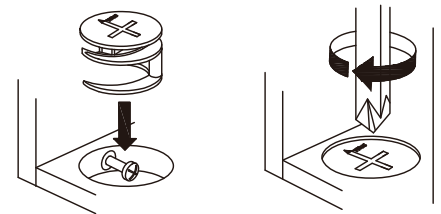


Step 8

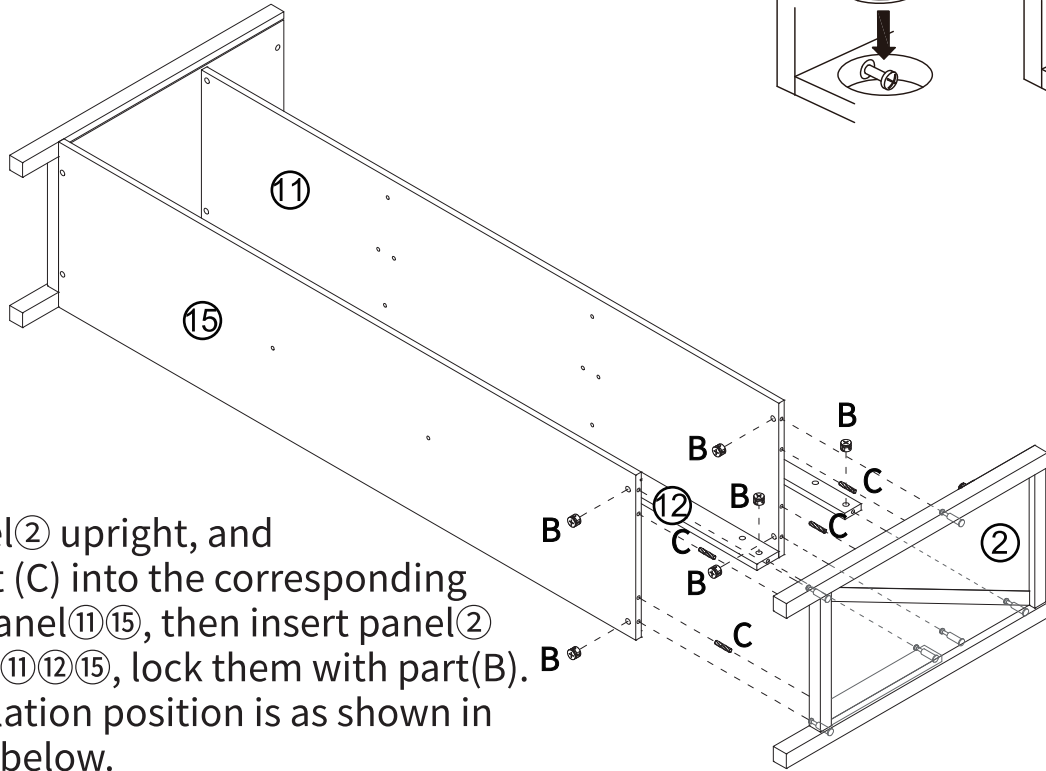


Insert panel 16 into the corresponding holes on panel 2 and lock with part (B).

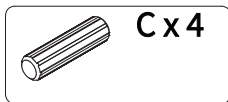
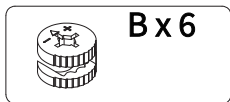
The installation position is as shown in the figure below.



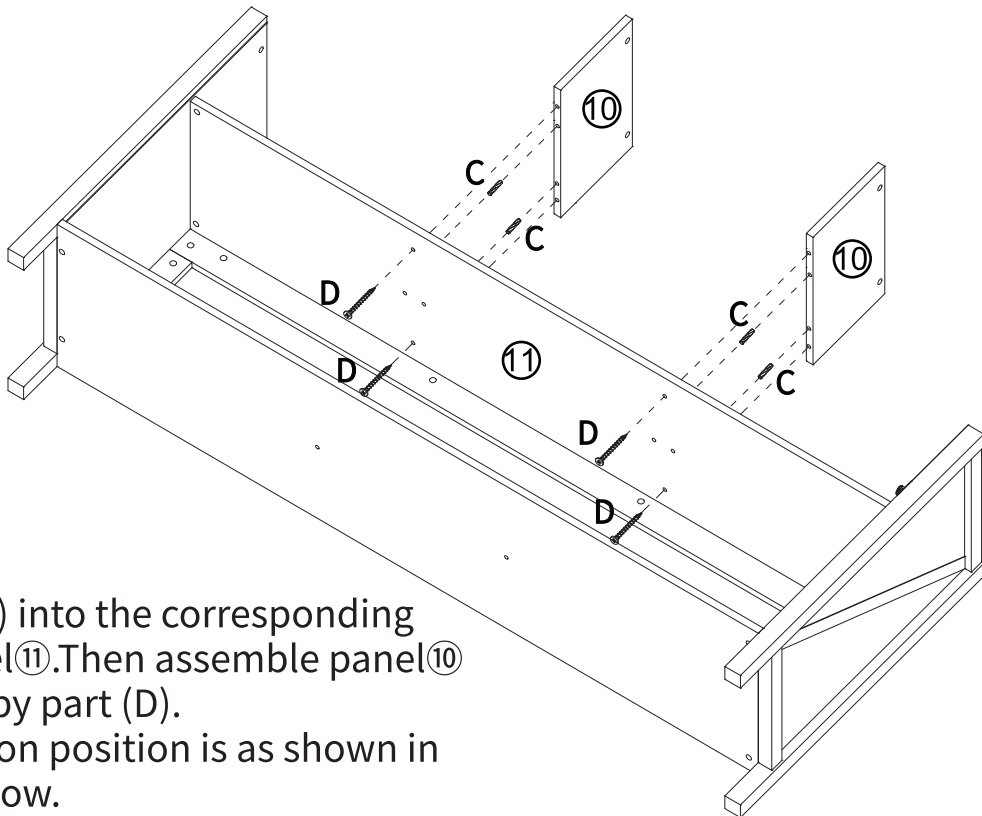
Step 9



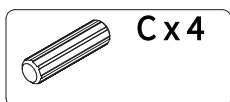
Hold panel ② upright, and insert part (C) into the corresponding holes of panel ①①①⑤, then insert panel ② into panel ①①①⑤, lock them with part (B). The installation position is as shown in the figure below.



Step 10



Insert part (C) into the corresponding holes of panel ①①. Then assemble panel ①① and panel ①① by part (D). The installation position is as shown in the figure below.

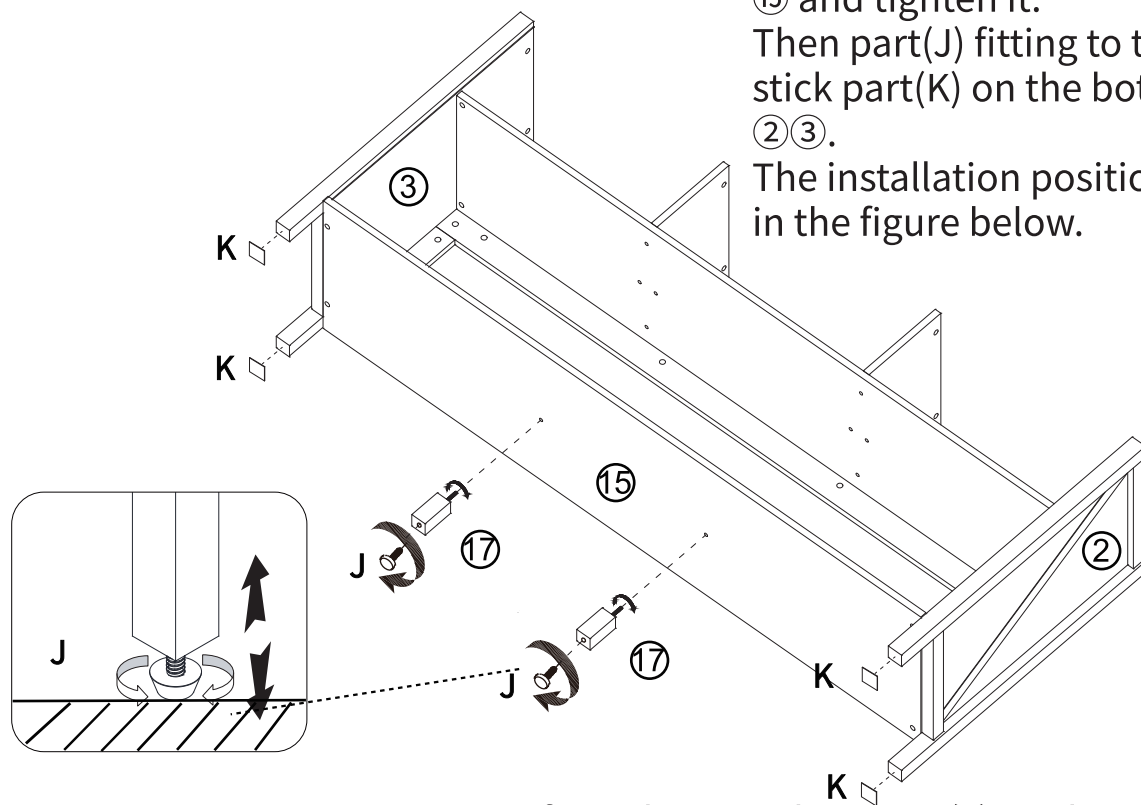


Step 11

Rotate the foot¹⁷ fittings to the panel¹⁵ and tighten it.

Then part(J) fitting to the foot¹⁷, and stick part(K) on the bottom of panel²³.

The installation position is as shown in the figure below.



J x 2

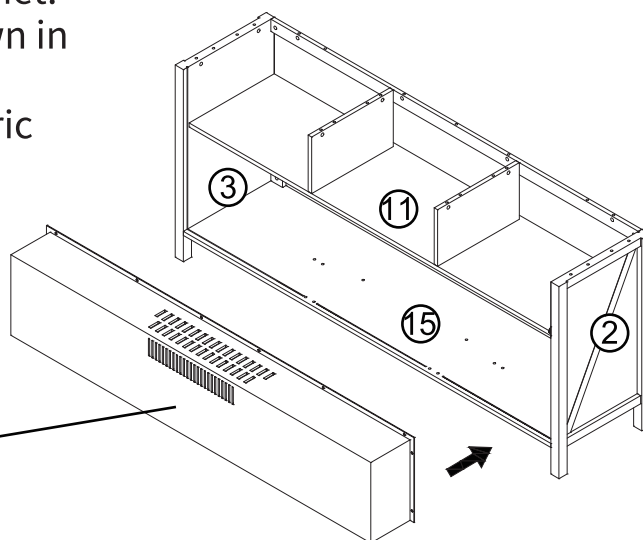


K x 4

After adjusting the screw(J) on the center stay foot, please ensure that it is firmly grounded to prevent any potential cabinet collapse caused by hanging.

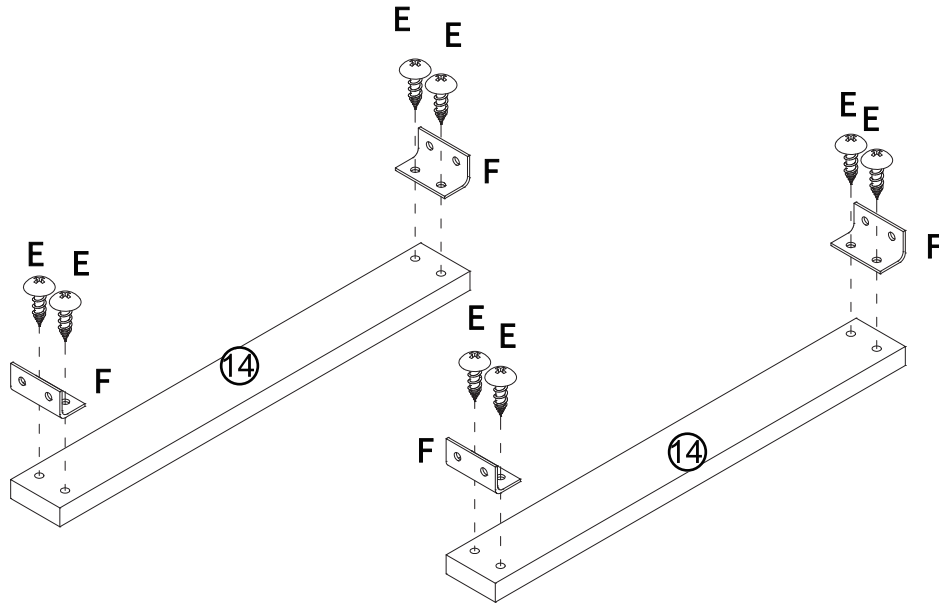
Step 12

Assemble electric fireplace to cabinet.
The installation position is as shown in the figure below.
The screws in the package of electric fireplace.

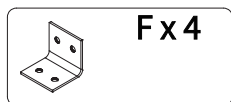
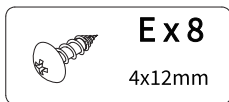


Note: Before assemble electric fireplace into the cabinet, you need to read the instruction of the electric fireplace, there are several steps you need to do, and you better use a long screwdriver to screw the electric fireplace to cabinet.

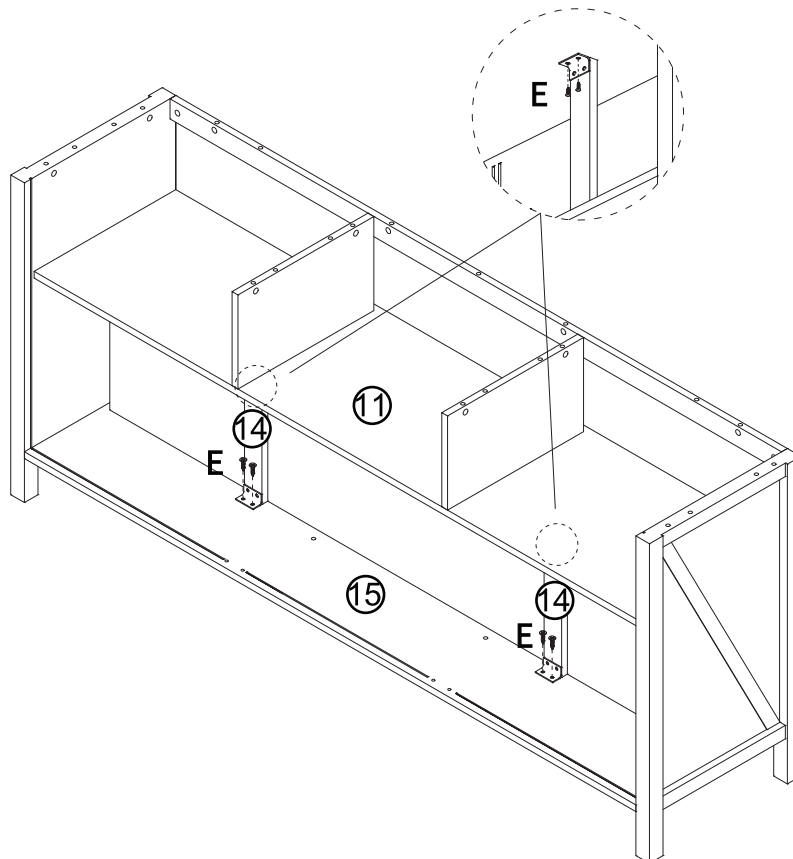
Step 13



Lay panel 14 flat, and then lock part (F) to panel 14 by part (E).
The installation location is shown in the figure below.

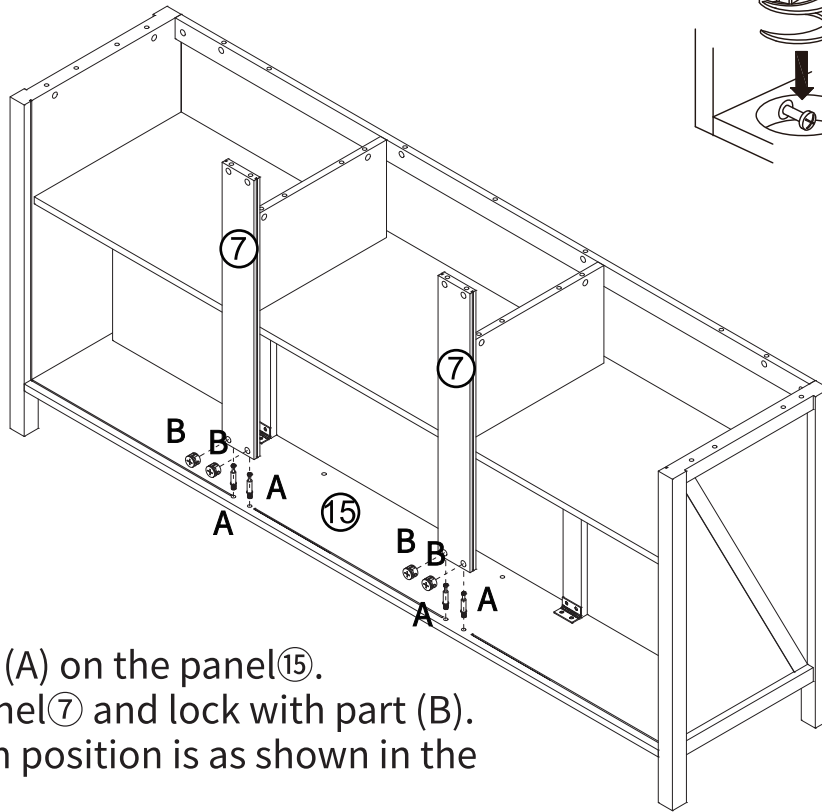


Step 14



Assemble panel 11 15 and panel 14 by using part (E).
The installation location is shown in the figure below.

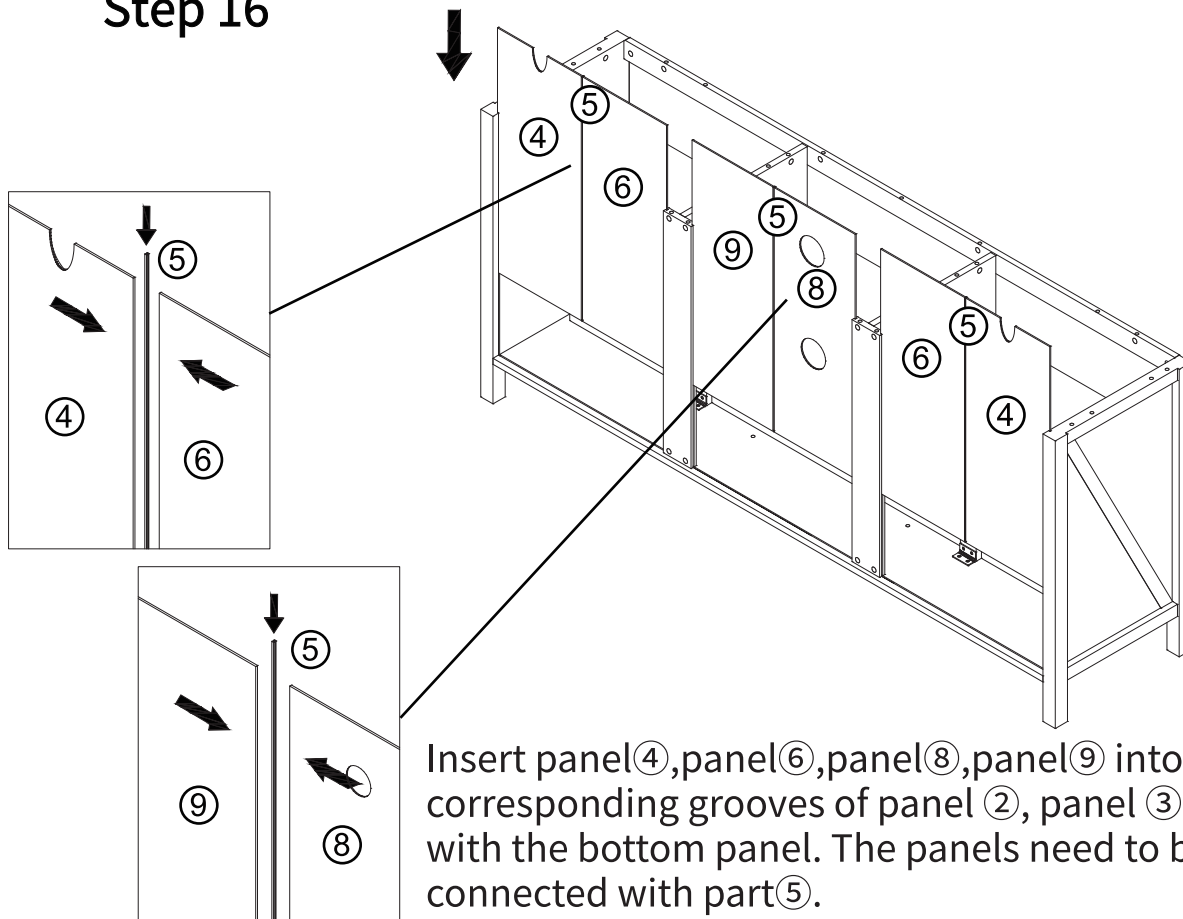
Step 15



Install the part (A) on the panel ⑮.
Then put in panel ⑦ and lock with part (B).
The installation position is as shown in the figure below.

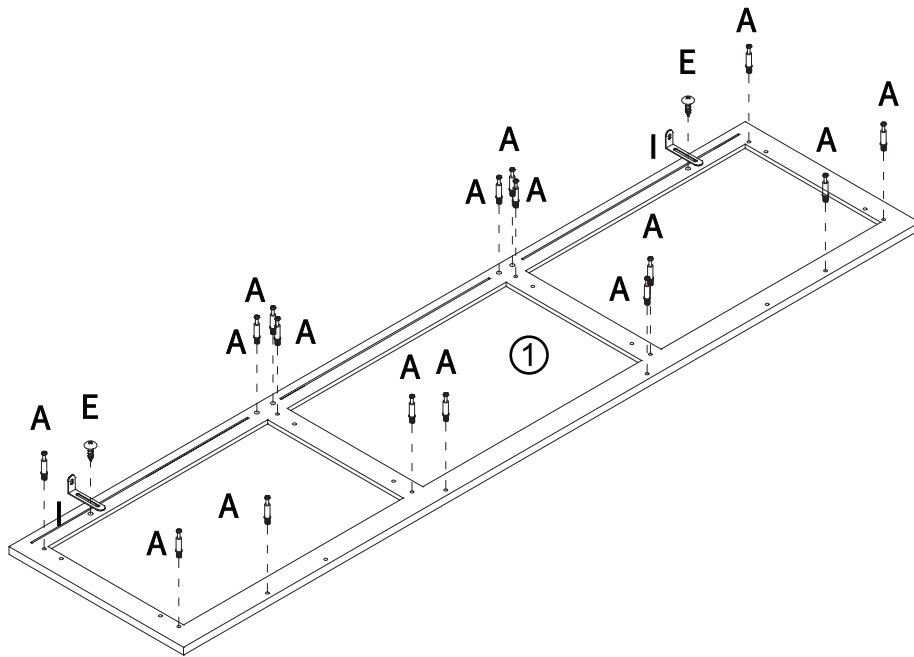


Step 16

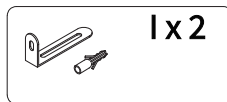
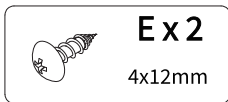


Insert panel ④, panel ⑥, panel ⑧, panel ⑨ into the corresponding grooves of panel ②, panel ③ and panel ⑦ with the bottom panel. The panels need to be connected with part ⑤.
The installation position is as shown in the figure below.

Step 17

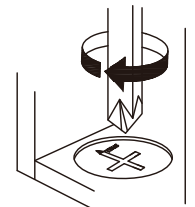
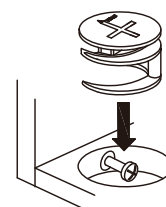
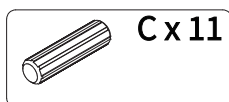
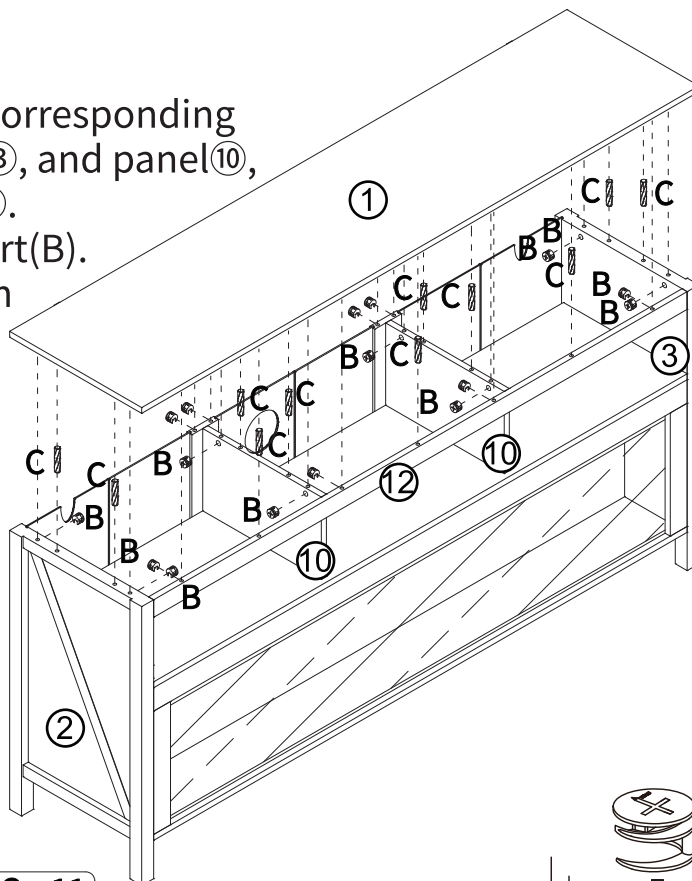


Install the part (A) on the panel ①. Use part (E) to fix part (I) on the corresponding hole position of panel ①.
The installation position is as shown in the figure below.



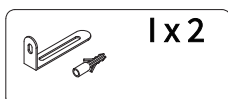
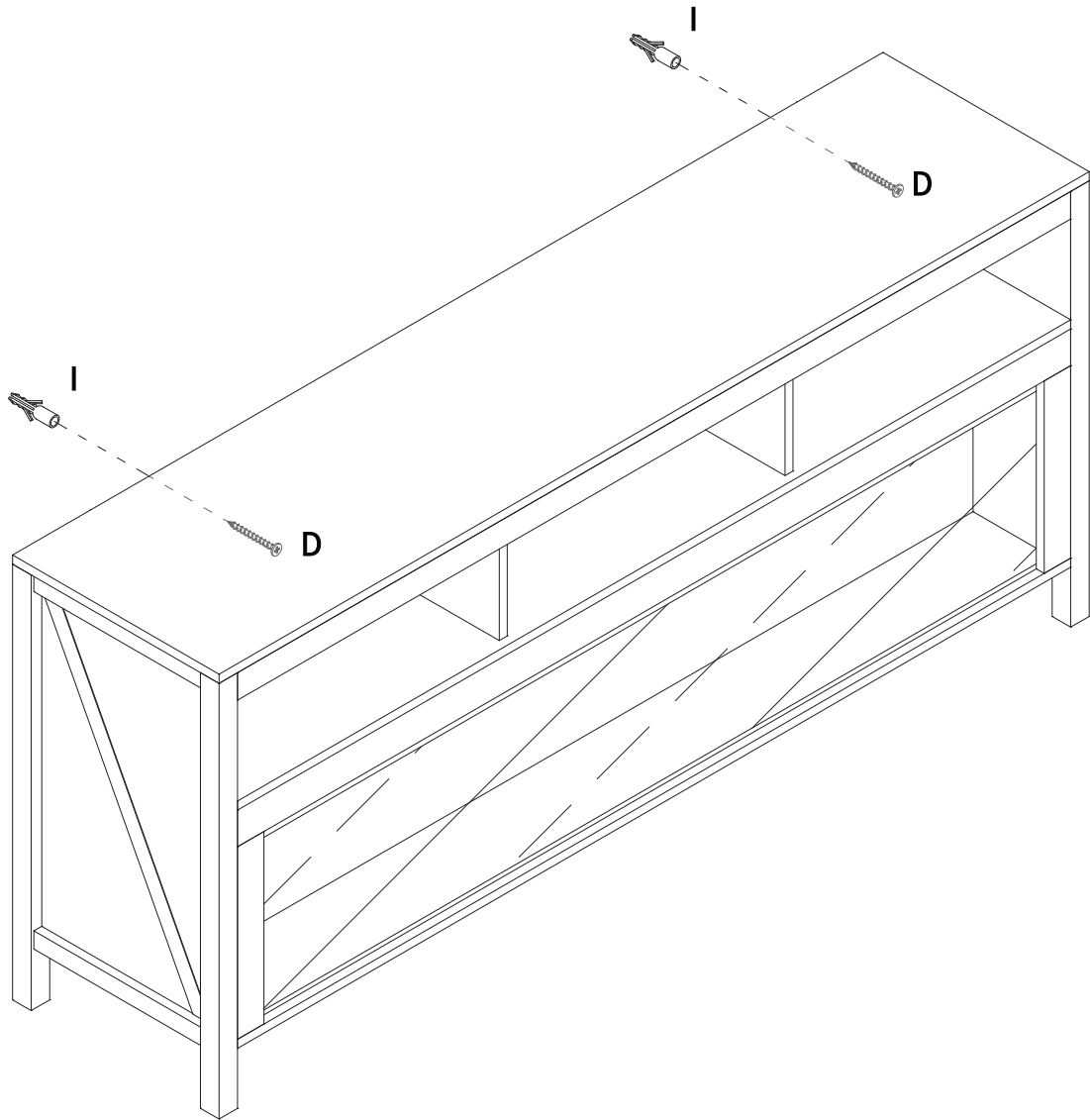
Step 18

Insert part (C) into the corresponding holes of panel ②, panel ③, and panel ⑩, and then insert panel ①. Then lock them with part (B). The installation position is as shown in the figure below.



Step 19

Installation of anti-tipping decorations.
Installing the cabinet on the wall using part (I) and part(D).
The installation position is as shown in the figure below.



Step 20

Use the part(G) and part(H) to fasten the back board buckle.
The installation position is as shown in the figure below.
You've got this piece of furniture completely finished.

