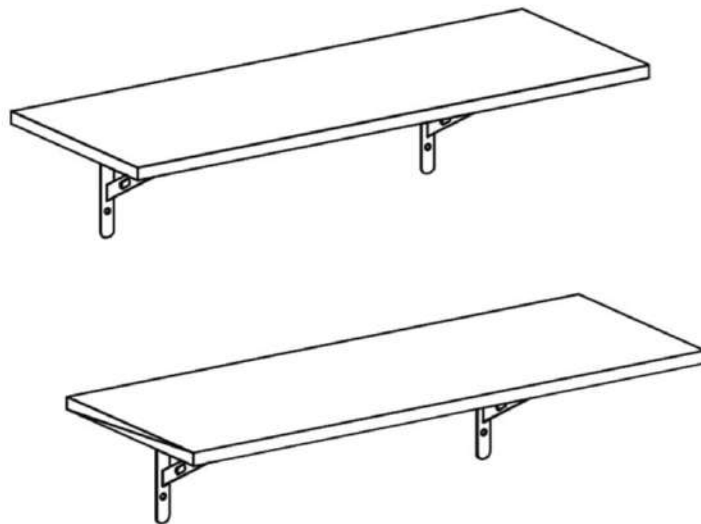


KABOON

Wall Shelf Set Assemble Manual

V 1.2



Thank you for choosing KABOON! We always focus on product improvement and service upgrades. Should you have any issues or suggestions, please don't hesitate to contact us at support@kaboondesk.com.

*www.kaboondesk.com
Instagram: [@kaboondesk](https://www.instagram.com/kaboondesk)
Facebook: [@Kaboon](https://www.facebook.com/Kaboon)*

IMPORTANT SAFETY INFORMATION

Check the package contents against supplied parts and hardware list to assure that all parts were received undamaged. Do not use damaged or defective parts. If you require replacement parts, please contact Kaboon customer service at support@kaboondesk.com.

Carefully read all instructions before attempting installation. If you have any concerns or questions, please contact customer service at support@kaboondesk.com.

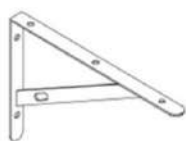
Do not use this product for any purpose that is not explicitly specified in this manual. The weight capacity of this product is 50 lbs (23 kg). Do not exceed weight capacity. We cannot be liable for damage or injury caused by an improper mounting, incorrect assembly or inappropriate use.

Thank you for your understanding.

TOOLS NEEDED (NOT INCLUDED)



SUPPLIED PARTS AND HARDWARE



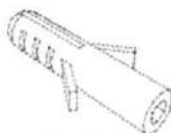
A x 4



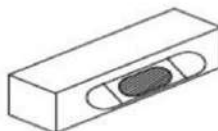
B x 2



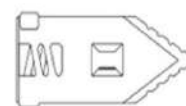
C x 20



D x 8



E x 1



F x 8



G x 8

ATTENTION

Please identify your wall type before installation. For concrete or brick wall, follow Step 3; for wood wall, follow Step 4; for drywall/plaster wall, follow Step 5.

STEP 1

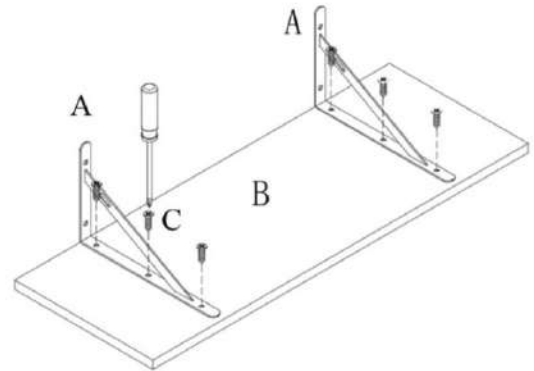
Parts: A×4, B×2, C×12

Tool: Phillips Head Screwdriver

Put one bracket (A) on board (B), there are two sets of pre-drilled holes for your choice, you could also drill holes as your preference (Eg. you may need it fixed on the stud in a drywall wall).

Take 3 screws (C) and screw them to connect the bracket.

Repeat it with another bracket (A).



STEP 2

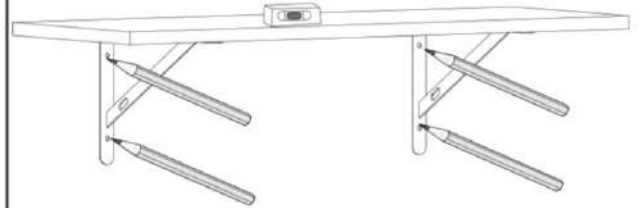
Parts: None

Tool: Level (E), pencil

Arrange one shelf against the wall as desired. Use the level (E) to ensure the shelf is parallel to the ground. When the bubble is between two lines, it is level.

Use a pencil to mark the positions on the wall.

Repeat it to mark positions for the other floating shelf.



STEP 3 For concrete / brick wall ONLY

Parts: Dx8,Gx8

Tool: Power drill with concrete drill, hammer, phillips head screwdriver

Make 4 holes at the marks on the wall with a power drill with a concrete drill.

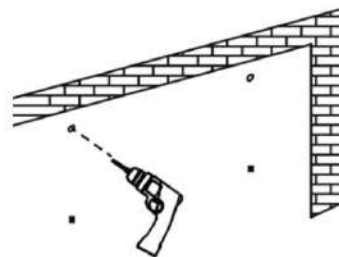
Put (D) into the holes and tap with a hammer gently. Arrange the shelf against the wall.

Insert screw (G), use a phillips head screwdriver to tighten the screws.

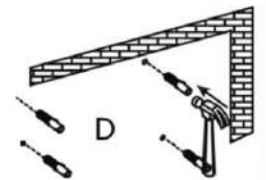
Repeat STEP 3 to get all the shelves done.

Your installation is completed.

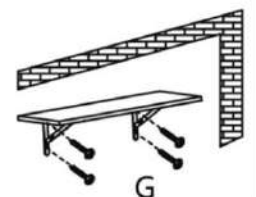
3.1



3.2



3.3



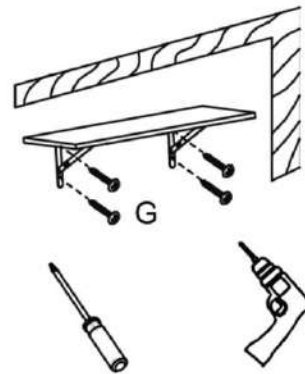
STEP 4 For wood wall / wood stud ONLY

Parts: G×8

Tool: Power drill with phillips head or phillips head screwdriver

Arrange the shelf against the wall. Screw in (G) at the marks on the wall with a power drill with a phillips head or phillips head screwdriver.

Repeat STEP 4 and get all the shelves done. Your installation is completed.



STEP 5 For drywall / plaster wall ONLY

Parts: G×8, F×8

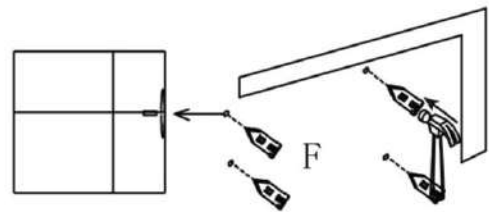
Tool: Hammer, Phillips Head screwdriver

5.1 Hammer anchor (F) into the drywall at the marks gently. **Attention:** (F) is combined by 2 pieces of metal. Please place the longer piece facing up and keep both pieces parallel to the ground when tapping.

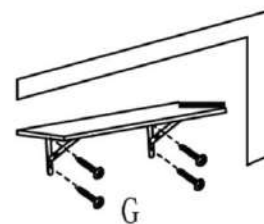
5.1 Arrange the shelf against the wall. Insert screw (G), tighten it with a phillips head screwdriver.

Repeat STEP 5 and get all the shelves done. Your installation is completed.

5.1



5.2



EXTRA SERVICE

To provide the best service to you, don't forget to register your Kaboon product to confirm your warranty. It only takes a few simple steps and then you can access a wide range of services such as technical support, new product alert, promotions, and warranty services from Kaboon. Send your name and order ID to support@kaboondesk.com.