







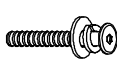
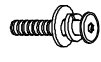

FURNITURE

ASSEMBLY INSTRUCTION

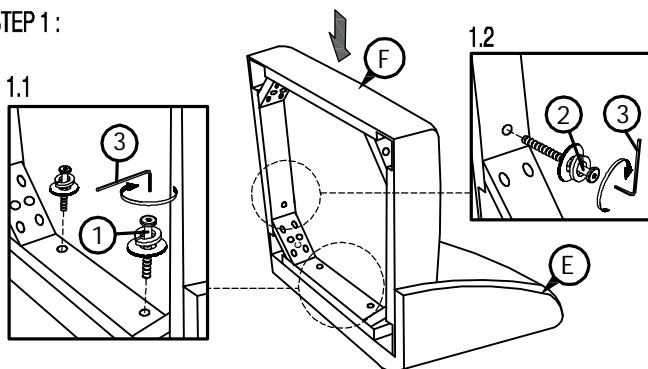
DESCRIPTION : CHAIR

Thank you for purchasing this product. Be sure to check all packing material carefully for small parts which may have come loose inside the carton during shipment. Identify and count all parts and compare with the parts list below:

Component List			
NO.	Description		Qty.
A.	Front Leg (A)		1
B.	Front Leg (B)		1
C.	Back Leg (C)		1
D.	Back Leg (D)		1
E.	Back Rest		1
F.	Cushion Seat		1

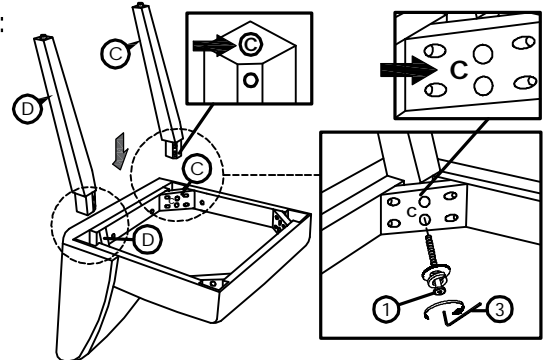
Hardware List			
NO.	Description		Qty.
1	JCBC Bolt M6 x 50mm + S/W M6 + F/W M6 x 19mm		10
2	JCBC Bolt M6 x 40mm + S/W M6 + F/W M6 x 19mm		2
3	Allen Key M4		1

STEP 1:



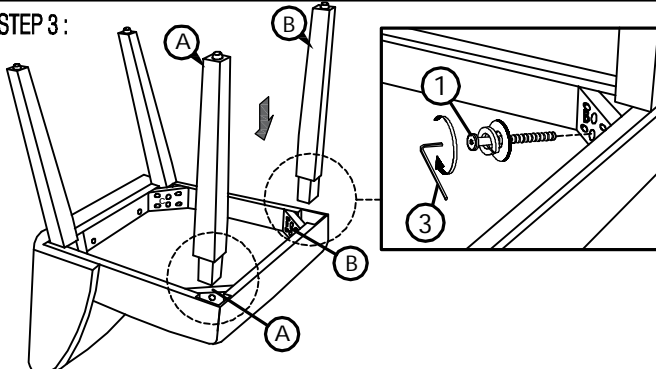
(1.1) Attach Seat(F) to Backrest(E) using Bolts(1) with Allen Key(3)
 (1.2) Attach Seat(F) to Backrest(E) using Bolts(2) with Allen Key(3)
Full tighten the Bolts.

STEP 2:



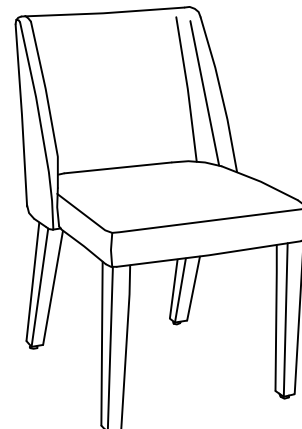
Note: Make sure to match the Labeled mounting position with the correct Legs.
 Attach Left Back Leg(C) and Right Back Leg(D) to Seat(F) using Bolts(1) with Allen Key(3). **Full tighten the Bolts.**

STEP 3:



Note: Make sure to match the Labeled mounting position with the correct Legs.
 Attach Right Front Leg(A) and Left Front Leg(B) to Seat(F) using Bolts(1) with Allen Key(3). **Full tighten the Bolts.**

STEP 4:



CHAIR

ASSEMBLY TIPS:

1. Remove hardware from box end sort by size.
2. Please check to see that all hardware and parts are present prior start of assembly.
3. Please follow attached instructions in the same sequence as numbered to assure fast and easy assembly.

⚠ WARNING!

1. Don't attempt to repair or modify parts that are broken or defective. Please contact the store immediately.
2. This product is for home use only and not intended for commercial establishments.