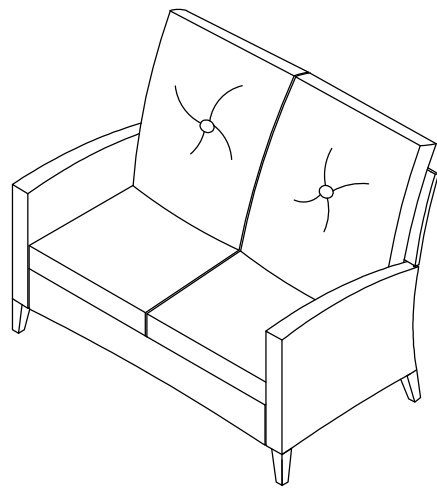
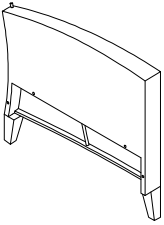
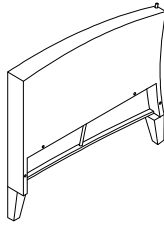
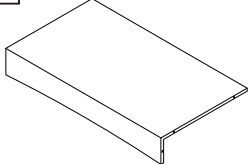
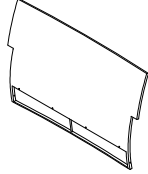
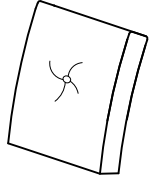
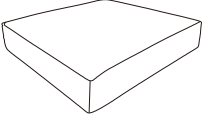


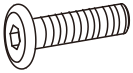


Outdoor Wicker Loveseat



PART LIST

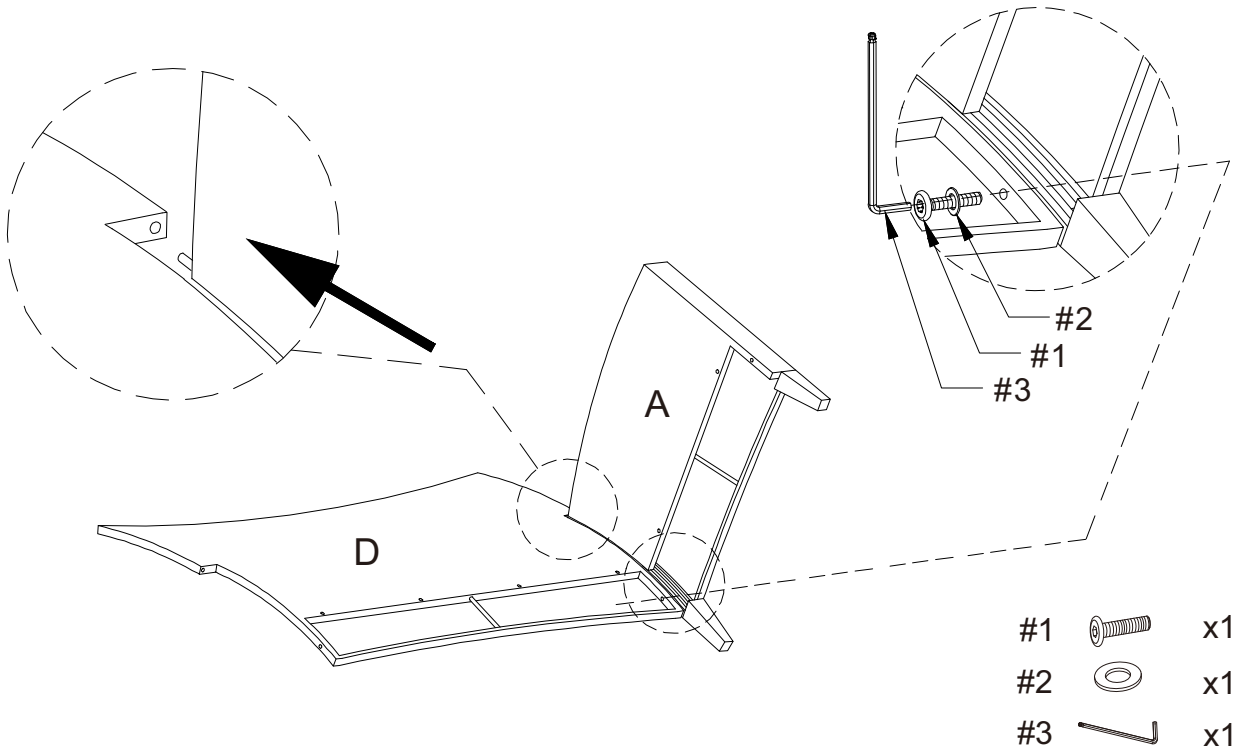
A 	B 	C 	D 	E 
Right Arm Panel 1 PC	Left Arm Panel 1 PC	Seat Panel 1 PC	Back Panel 1 PC	Back Cushion 2 PCS
F 				
Seat Cushion 2 PCS				

HARDWARE LIST

#1 	#2 	#3 
M6*35mm Bolt 12 PCS (Extra 1)	M6mm Flat Washer 12 PCS (Extra 1)	M6mm Allen Wrench 1 PC

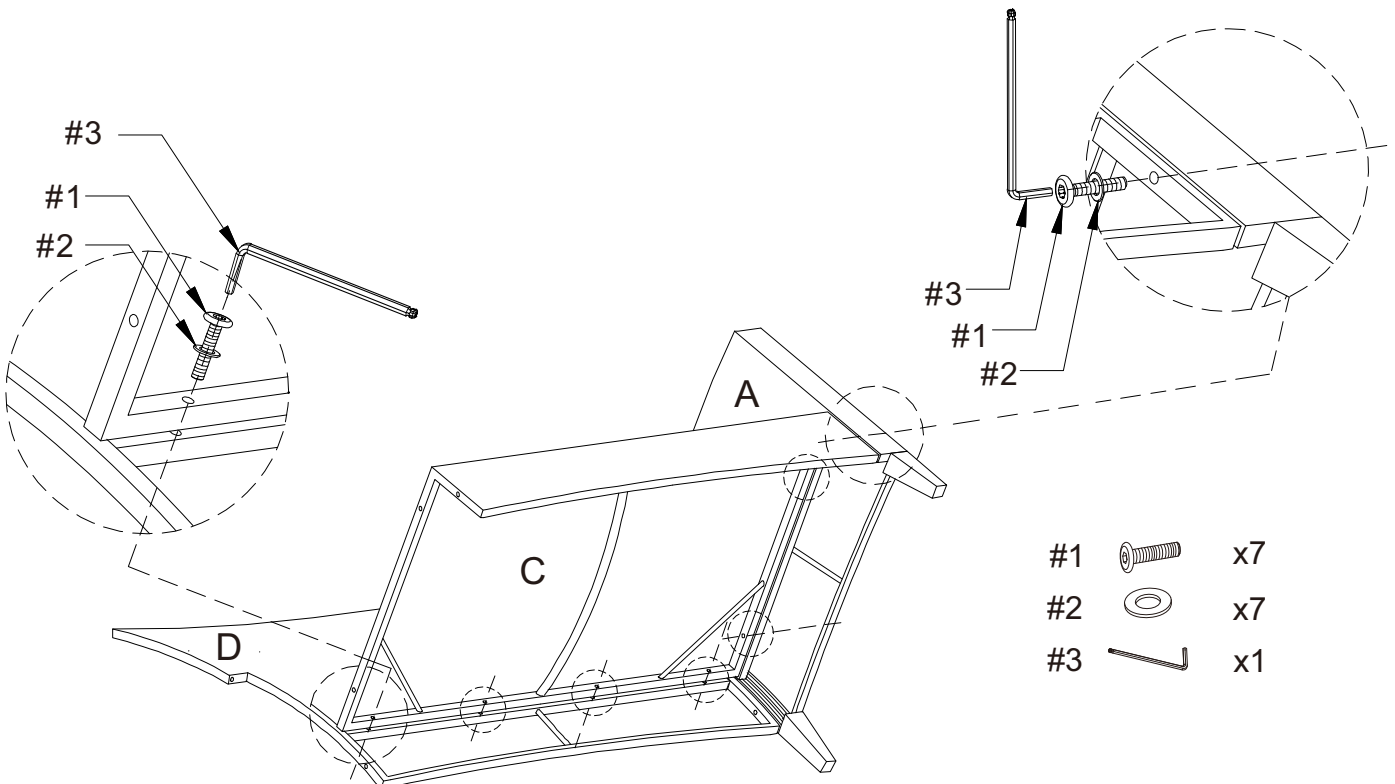
Step 1. Lay back panel (part D) down on a soft flat surface, such as carpet, as shown below. Attach right arm panel (part A) to back panel (part D) using bolt (part #1), flat washer (part #2) and allen wrench (part #3).

NOTE: Please do not fully tighten bolts until unit is fully assembled.



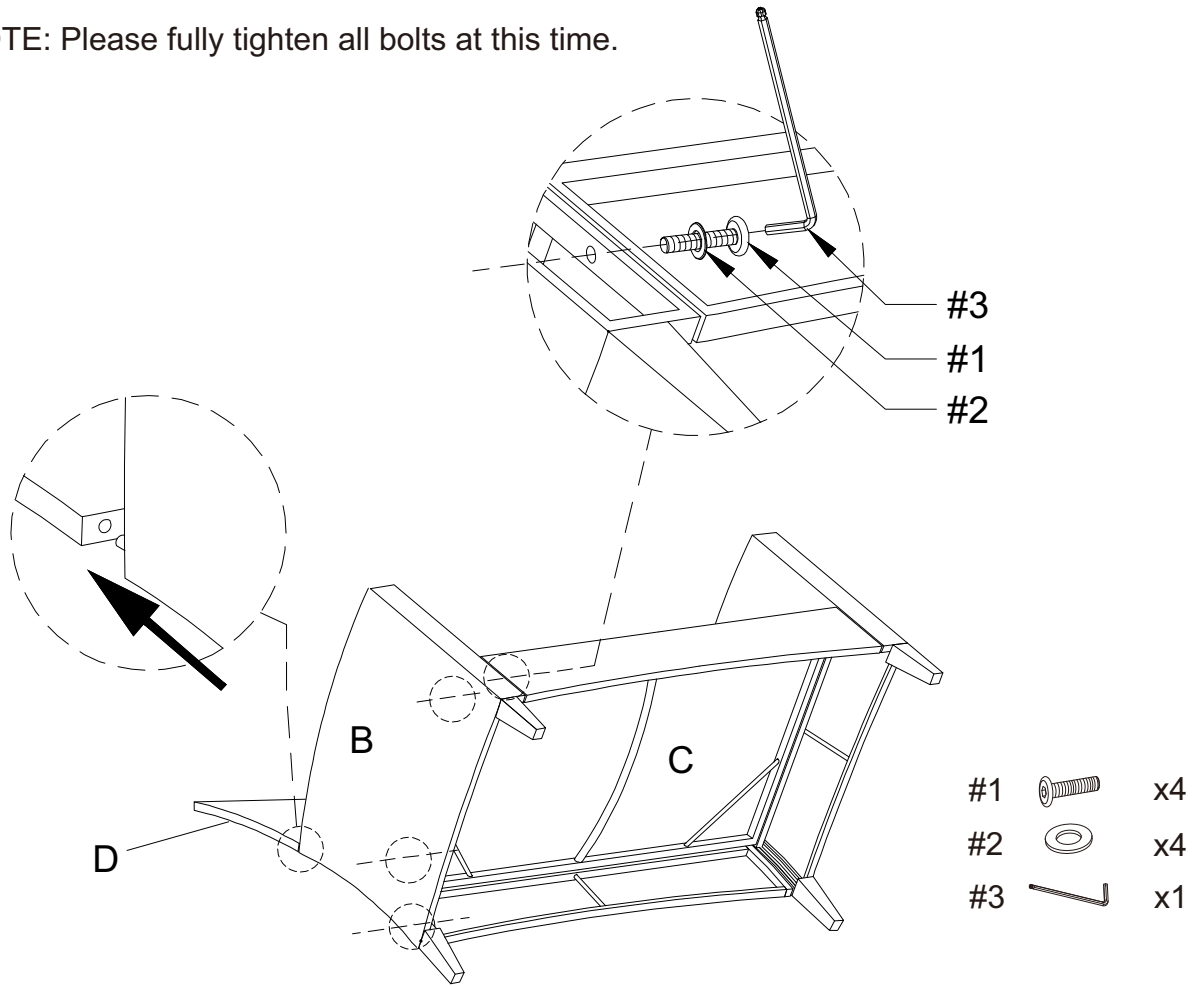
Step 2. Attach seat panel (part C) to right arm panel (part A) and back panel (part D) using bolts (part #1), flat washers (part #2) and allen wrench (part #3).

NOTE: Please do not fully tighten bolts until unit is fully assembled.



Step 3. Attach left arm panel (part B) to back panel (part D) and seat panel (part C) using bolts (part #1), flat washers (part #2) and allen wrench (part #3).

NOTE: Please fully tighten all bolts at this time.



Step 4. Carefully turn unit upright. Place seat cushions (part F) and back cushions (part E) as shown below.

