

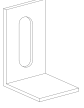

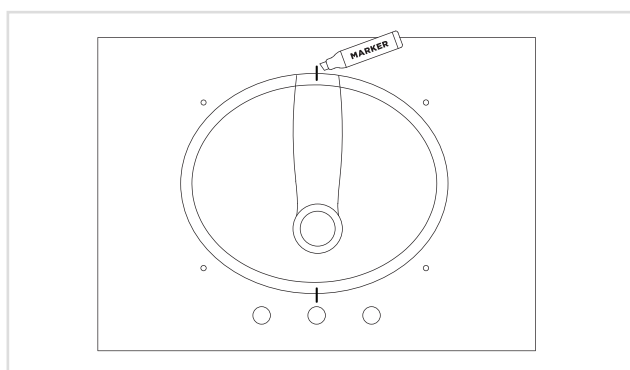


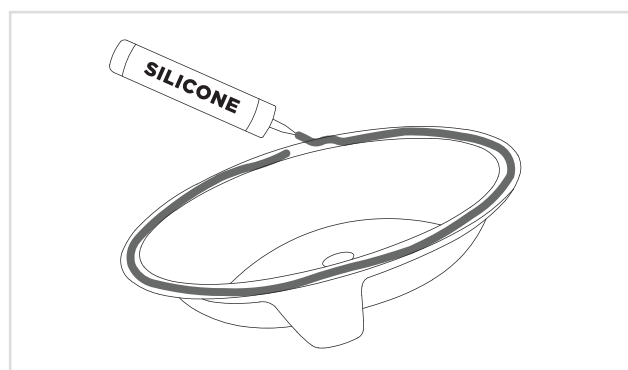
# INSTALLATION GUIDE

INCLUDED	NEEDED	HARDWARE	
<ul style="list-style-type: none"> <li>• Base cabinet</li> <li>• Countertop</li> <li>• Sink basin</li> <li>• Backsplash</li> <li>• Hardware</li> </ul>	<ul style="list-style-type: none"> <li>• Permanent marker</li> <li>• Silicone - (Recommend Liquid Nails #LN-933 or Loctite #PL530 or GE Silicone II #M90010)</li> <li>• Epoxy - (Recommend Loctite #1365868 or Gorilla Glue #4200101)</li> <li>• Caulking gun</li> <li>• Power Drill</li> <li>• Drywall Screws</li> </ul>	<p><b>A</b></p>  <p><b>Bolts (4)</b></p> <p><b>C</b></p>  <p><b>Washers (4)</b></p>	<p><b>B</b></p>  <p><b>Undermount clips (4)</b></p> <p><b>D</b></p>  <p><b>Wing nuts (4)</b></p>



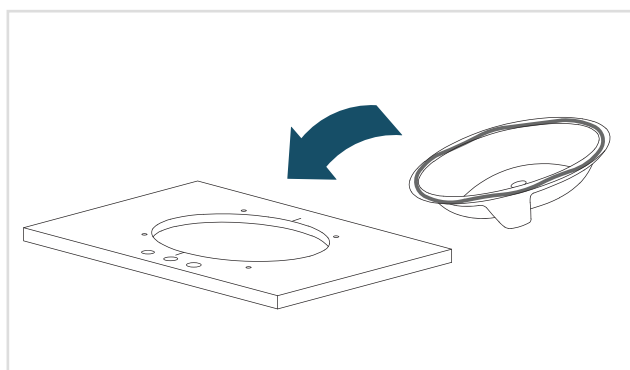
## STEP 1 - PLACE & TRACE

Place the sink basin on the bottom of the countertop, making sure to center over the opening. Draw guide lines on the countertop and the basin in two locations.



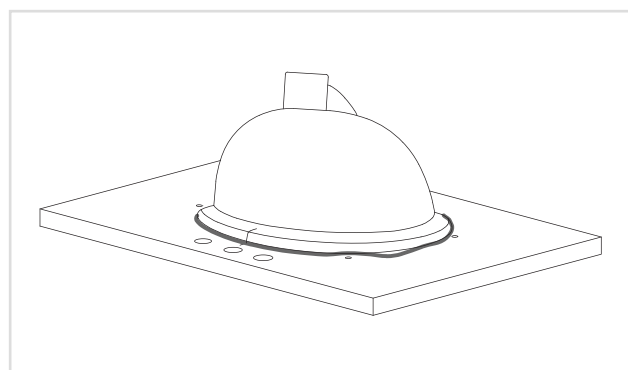
## STEP 2 - PREPARE SINK BASIN

Using a caulking gun, apply a heavy amount of silicone of your choice on the top side of the sink basin edge.



## STEP 3 - FLIP & SET IN PLACE

Carefully flip the sink basin over and place it so the guide lines match up in both locations.

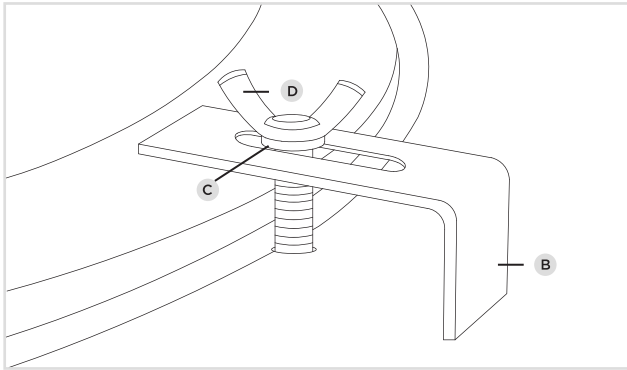


## STEP 4 - DRY & SET

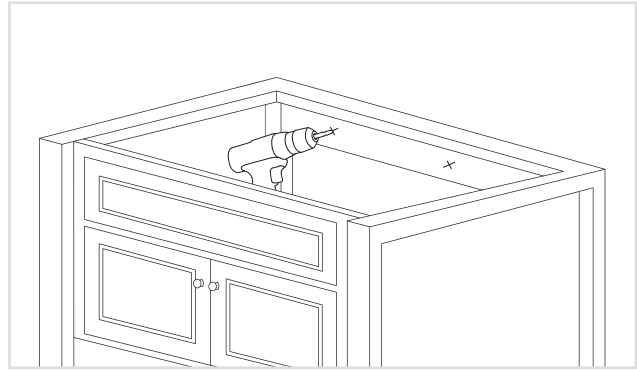
Press down on the sink basin to seal the silicone. Remove any excess. Follow dry time recommendations found on your product, typically 12 to 24 hours.

# INSTALLATION GUIDE

---



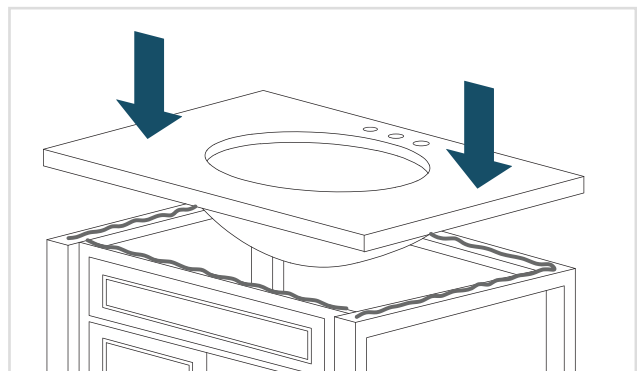
**STEP 5 - ATTACH UNDERMOUNT CLIPS**  
After following recommended drying time, attach the undermount clips (PART B) facing down, place the washer (PART C) on the clips & use the wing nuts (PART D) to secure in place. Apply silicone to the wing nut for added stability.



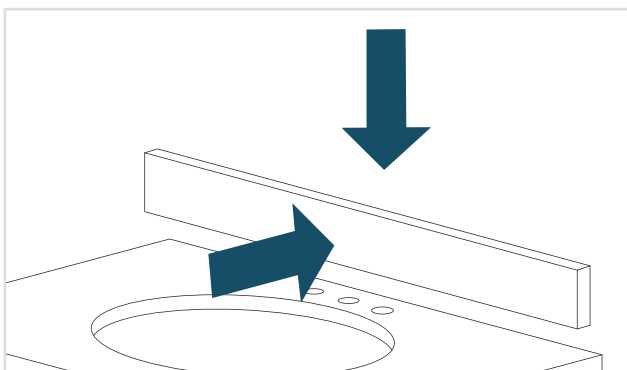
**STEP 6 - ATTACH BASE CABINET TO WALL**  
Place cabinet in desired location and determine where the wall studs are. Using drywall screws, attach the cabinet to the wall by screwing into the wall studs.



**STEP 7 - PREPARE BASE CABINET**  
Using a caulking gun, apply silicone around the top of the base cabinet.



**STEP 8 - SET COUNTERTOP IN PLACE**  
Carefully place the countertop, with the sink attached, onto the cabinet and press down firmly. Wipe away and excess silicone immediately.



**STEP 9 - SET BACKSPLASH**  
After the vanity is in place, use a caulking gun to apply silicone to the back and bottom unfinished sides of the backsplash. Press firmly down and back to set in place. Remove any excess silicone.