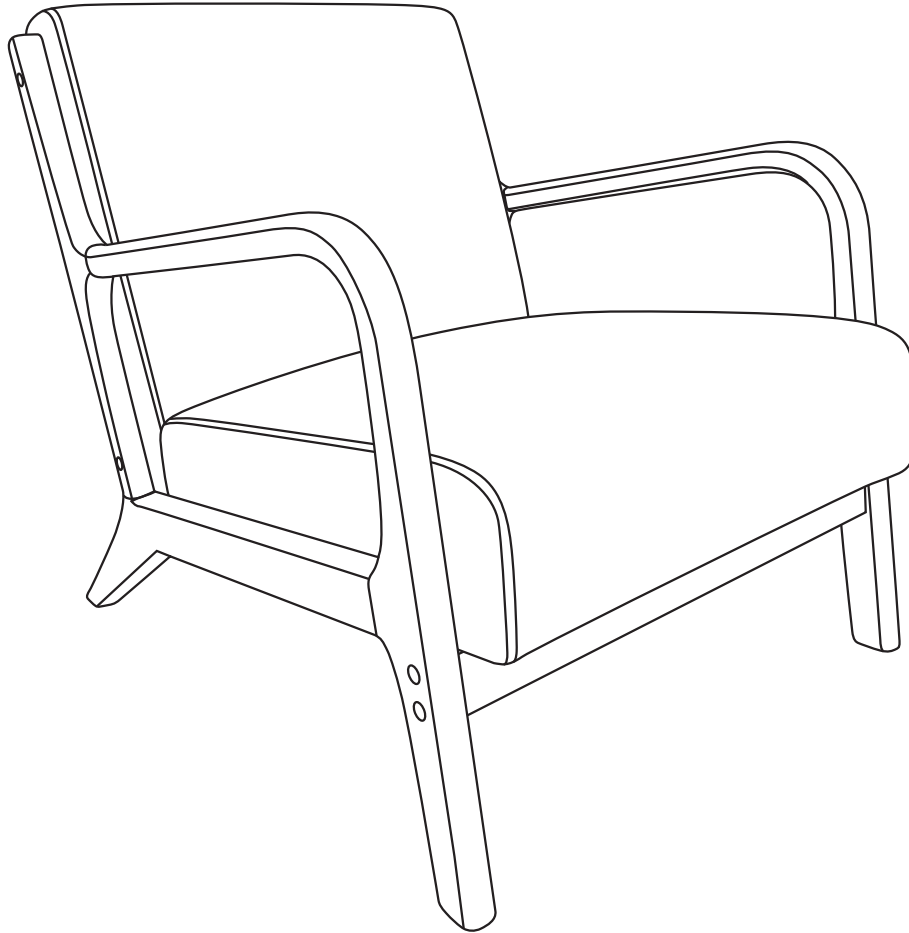


Assembly Instruction

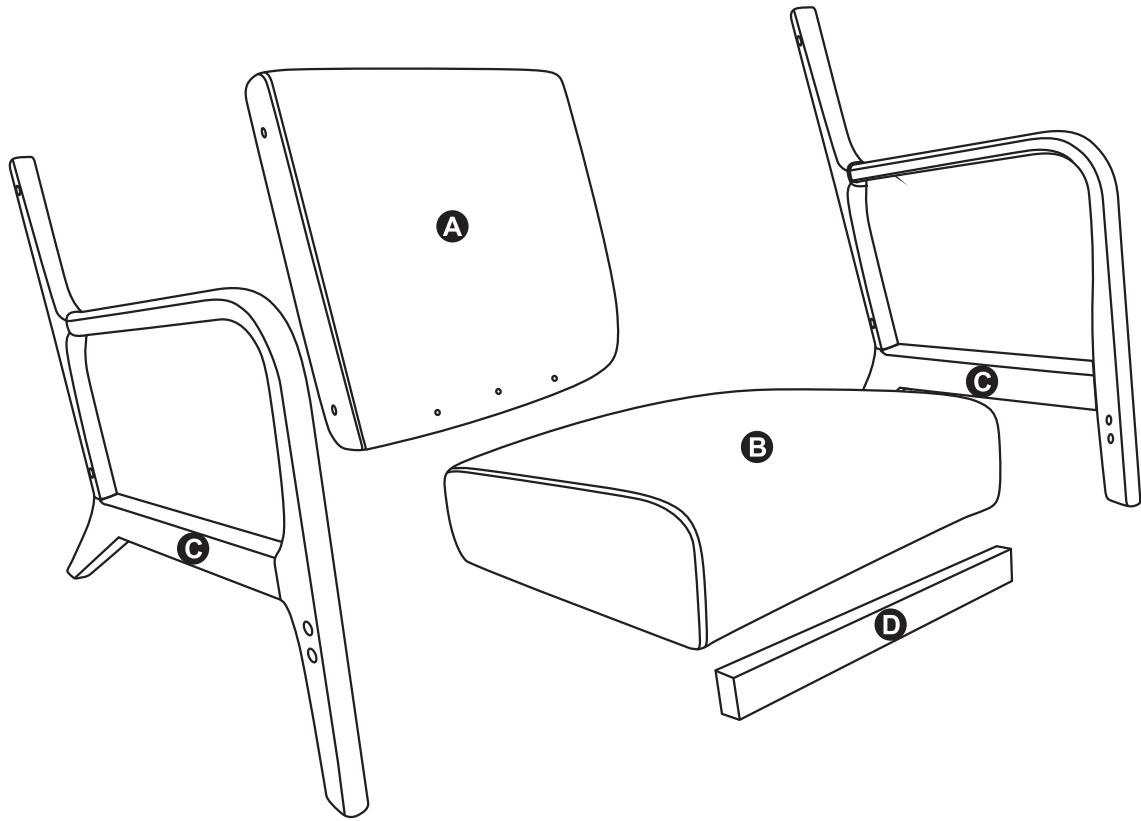


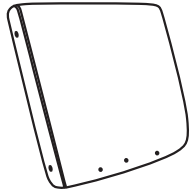
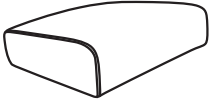
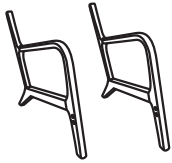

Thank you for your purchase.







If you have difficulty with assembly or find a part is missing or damaged, please don't hesitate to contact us for solution.

Customer Service team will work hard to put a smile back on your face.

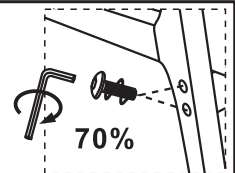
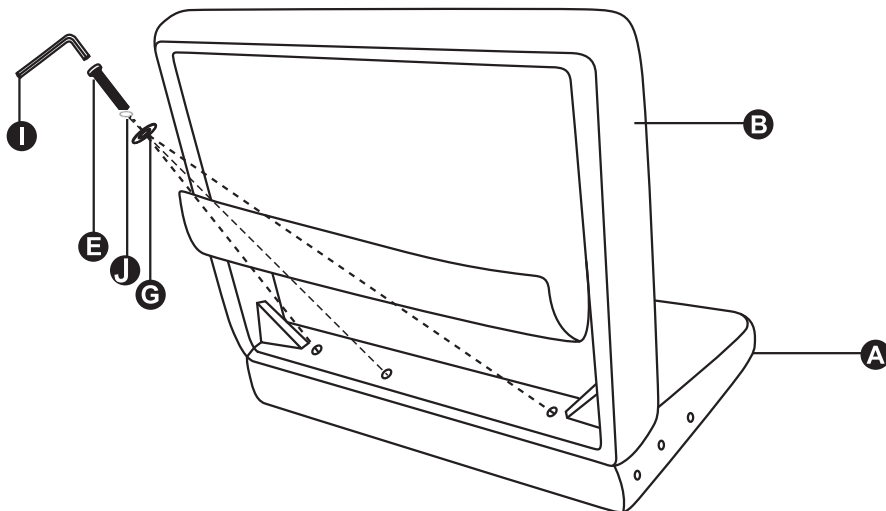
Components



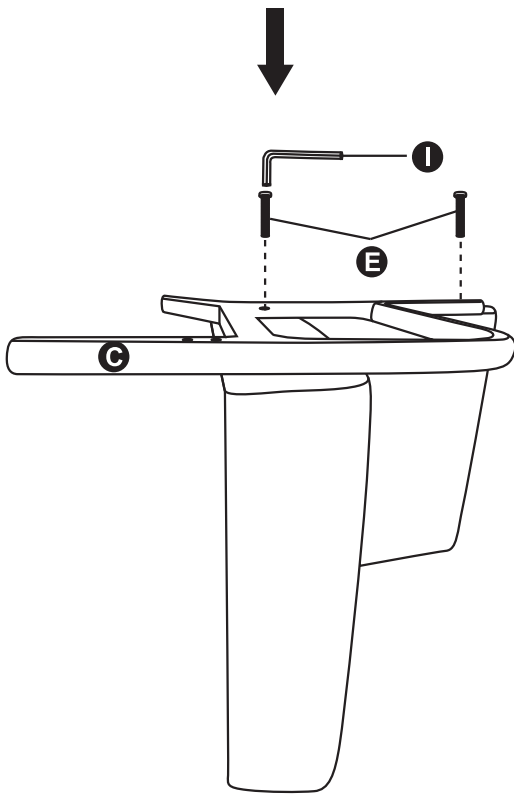
NO	PARTS	QTY	DESCRIPTION
A		1PC	BACK
B		1PC	SEAT
C		2PCS	ARMREST
D		1PC	CROSSPIECE

NO	PARTS	QTY	DESCRIPTION
E		7 PCS	M8x60mm SCREW
F		4 PCS	M8x70mm SCREW
G		3 PCS	M8x22mm FLAT WASHER
H		8 PCS	COVER
I		1 PCS	ALLEN KEY
J		3 PCS	

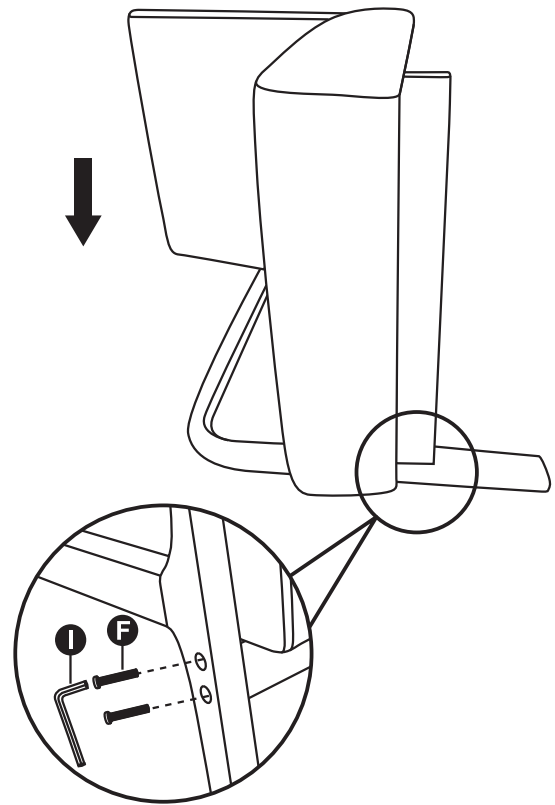
STEP 1



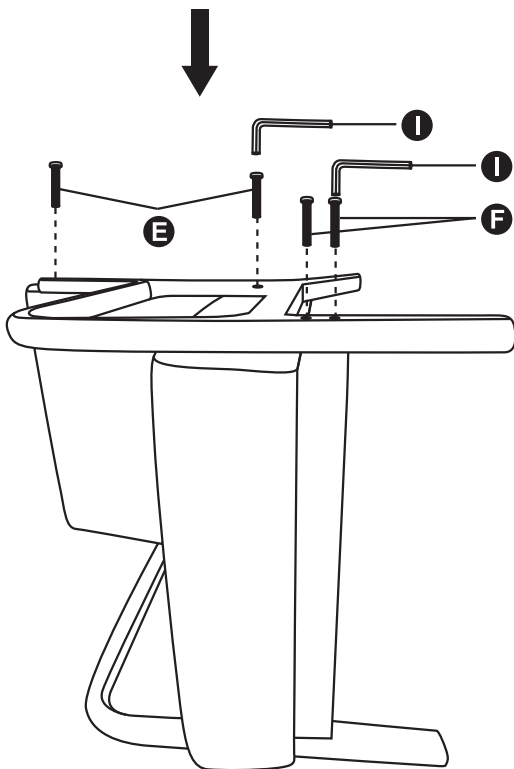
STEP 2



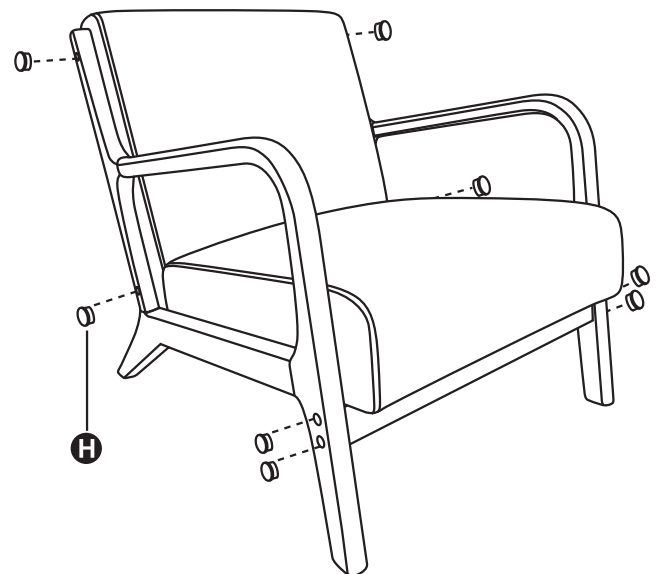
STEP 3



STEP 4



STEP 5



open

