

## ASSEMBLING & INSTALLATION INSTRUCTIONS

The drawing shown may not exactly match the product enclosed.  
However, the installation instructions do apply to this product.

### MINI PENDANT

- ◆ **WARNING! SHUT POWER OFF AT FUSE OR CIRCUIT BREAKER.**
- ◆ **ATTENTION! COUPER LE COURANT AU FUSIBLE OU UN DISJONCTEUR.**

#### ASSEMBLING THE FIXTURE (Fig.1)

1. Shut off the power at the circuit breaker box. Remove old fixture and all hardware from Junction Box.
2. Carefully unpack your new fixture and lay out all the parts on a clear area. Be care not to lose any small parts necessary for installation.
3. Attach the crossbar to the Junction Box with the two junction box screws as shown. The side of the cross bar marked "GND" must face out. **The junction box is not included.**
4. By measuring, determine correct cord length needed for proper hanging height, then lock it securely with small screw(C). **NOTE: slide cord clip to the proper position, then you may cut extra cord.**
5. While holding the lamp body towards the ceiling, connect the electrical wires as Shown in **Fig.2**, making sure that all wire nuts are secured. You may have to wrap the connections with electrical tape. If your outlet has a ground wire (green or bare copper), connect the fixture ground wire to it. Otherwise connect fixture's ground wire directly to the Mounting plate with the green screw provided. After wires are connected, tuck them carefully inside the Junction Box.
6. Install canopy (A) onto the junction box, aligning screw hole on crossbar with mounting holes in canopy and lock it securely with the screws (B).
7. Install the light bulb(not included) in accordance with the fixture's specifications. **NOTE: DO NOT EXCEED THE SPECIFIED WATTAGE!**
8. Raise the glass shade(E) to the lamp holder, lock it securely with the hand screws(D). **NOTE: THE GLASS SHADE(E) OF THE PRODUCT MAY VARY.**

Your installation is now complete. Return power to the junction box and test the fixture.

FIG.1

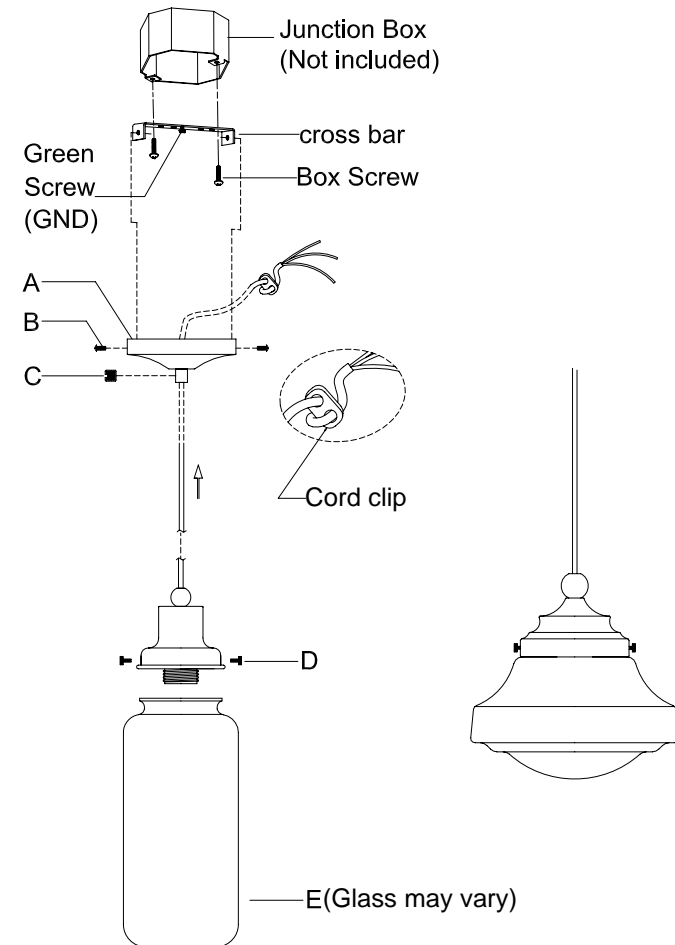
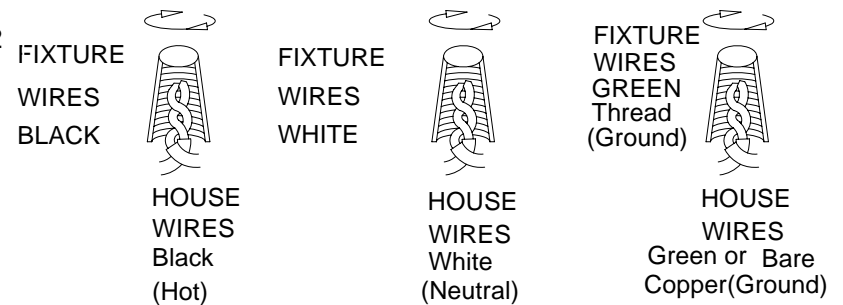


FIG.2



Thank you for purchasing a product.  
Need assistance with parts or assembly? Please call customer service  
Or visit us [online](#)