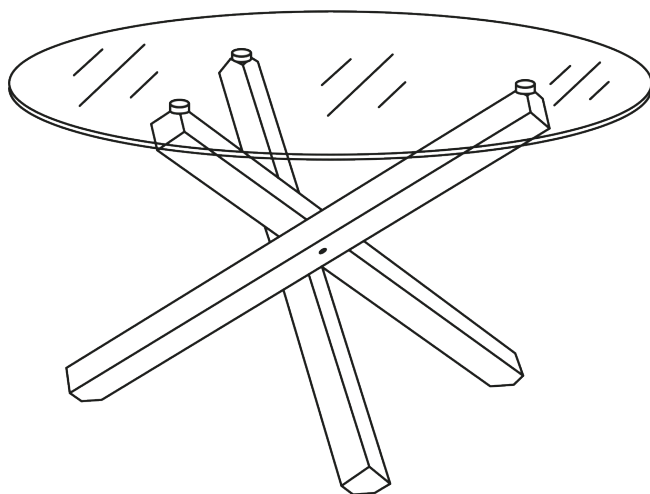


DINING TABLE

ASSEMBLY GUIDE



Important - Please read these instructions fully before starting assembly



**SAFETY AND
CARE ADVICE**



NO POWER TOOLS

SAFETY AND CARE ADVICE

- Check you have all the components and tools listed.
- Remove all fittings from the plastic bags and separate them into their groups.
- We do not recommend the use of power drills/drivers for inserting screws, as this could damage the unit. Only use hand screwdrivers and Allen keys.
- Keep children and animals away from the work area, small parts could cause choking if swallowed.
- Make sure you have enough space to layout the parts before starting.
- Assemble the item as close to its final position (in the same room) as possible.
- Do not overtighten the nuts to avoid causing damage to the threads.
- Only clean using a damp cloth and mild detergent, do not use bleach or abrasive cleaners.
- From time to time check that there are no loose screws on this unit
- This product should not be discarded with household waste. Take to your local authority waste disposal centre

IMPORTANT INFORMATION



45 MINUTE
BUILD



GLASS

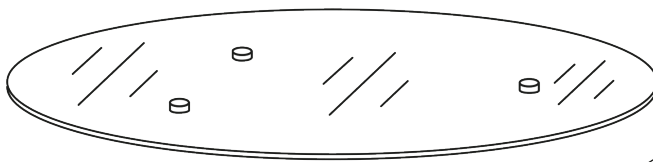


TWO
PERSON

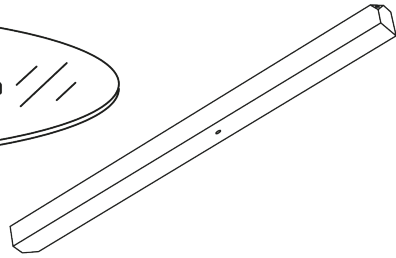


MAXIMUM
CAPACITY 100Kg

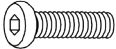
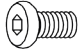





PLEASE CHECK CAREFULLY AND MAKE SURE YOU HAVE ALL FITTINGS AND TOOLS LISTED BELOW BEFORE YOU START.



1 Table top x 1



2 Leg x 3

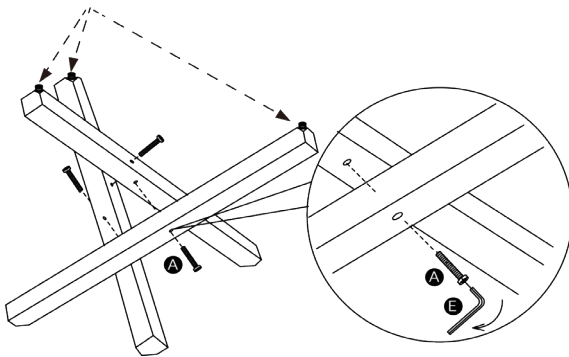
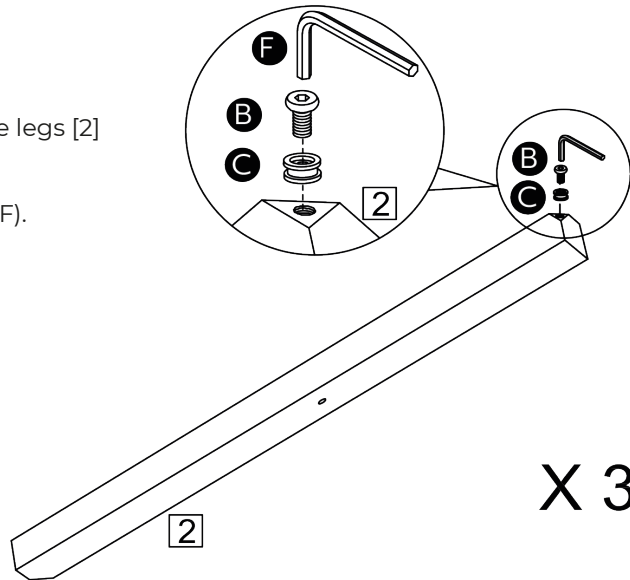
<p>A</p>  <p>M8x75mm Allen Screw X3</p>	<p>B</p>  <p>M6x16 Allen Screw X3</p>	<p>C</p>  <p>M6x20mm Table top attachment X3</p>
<p>D</p>  <p>M6x15mm Grub Screw X3</p>	<p>E</p>  <p>M6 mm Allen Key X1</p>	<p>F</p>  <p>M5 mm Allen Key X1</p>
<p>G</p>  <p>M3 mm Allen Key X1</p>		

NOTE: The quantities above are the correct amount to complete the assembly. In some cases more fittings may be supplied than are required.

STEP 1

Insert (C) into each of the legs [2] using screw (B).

Tighten using allen key (F).



STEP 2

Start by connecting two legs [2] using screw (A).

ATTENTION: With help, bring the two legs up and put the third underneath to form a tripod. Secure the third leg with the remaining screws (A).

Tighten using allen key (E)

Ensure the aluminium discs are all loaded at the top.

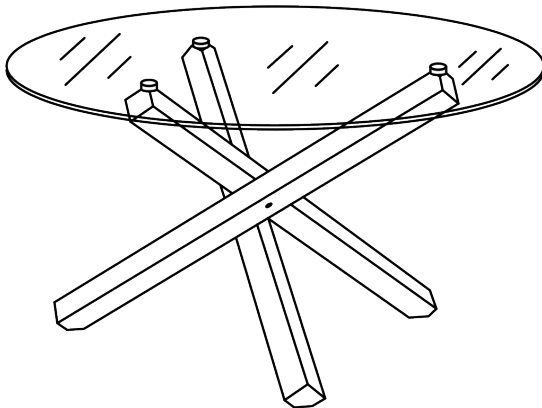
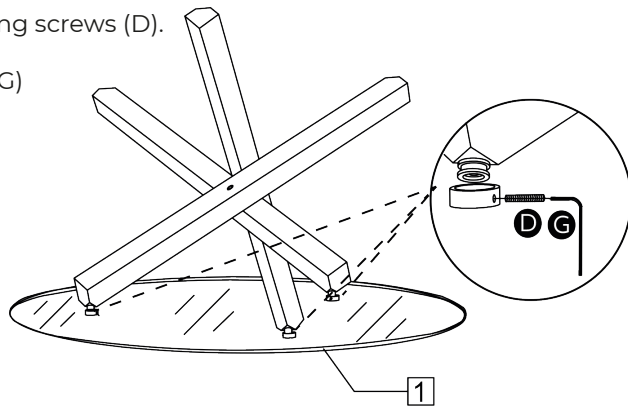
STEP 3

ATTENTION: With help place the table top [1] upside down onto a clear flat surface.

Place the stand onto the glass with the attachments with the glass fixings.

Once in place secure using screws (D).

Tighten using allen key (G)



STEP 4

ATTENTION: With help, turn the table around to complete assembly.

WHAT THE GUARANTEE COVERS



PRE-INSERTED FIXINGS

e.g. lose metal threads



FAULTY JOINTS

e.g. legs bending



EXTERNAL FIXING FAULTS

e.g. metal discs removing
from table top



STRUCTURAL INTEGRITY

e.g. the frame of the
product

ACTIVATE YOUR GUARANTEE ONLINE

scan this code with your phone to read the full guarantee online and register your product. It only takes a moment to fill out.