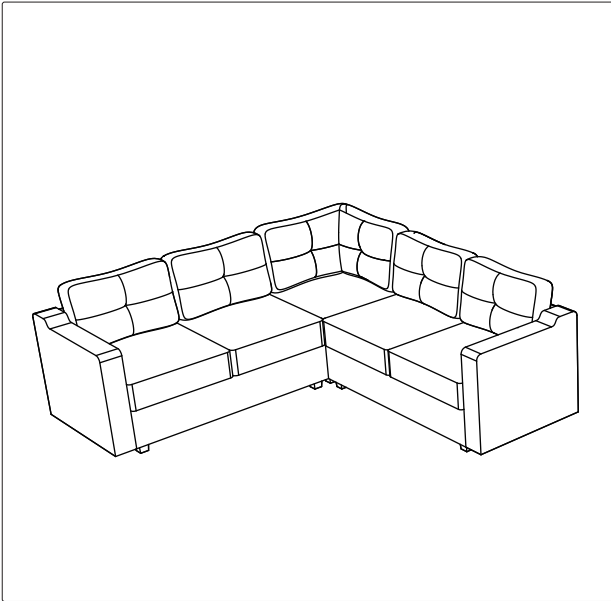


# INSTALLATION GUIDE

## PRODUCT IMAGES



Thank you for purchasing this product.  
Please read this instruction manual carefully  
before use.  
Keep these instructions for future reference



**Warning**

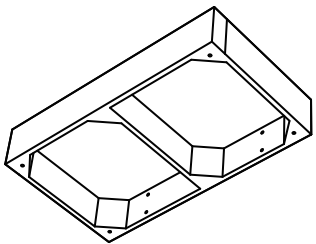
Choking hazard-small parts.  
Not suitable for children under 3 years old.

PLEASE MAKE SURE THE FOLLOWING PARTS ARE AVAILABLE BEFORE INSTALLATION

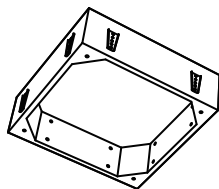


If you have any advice or problem, please contact us : [wxservice@5xfuture.com](mailto:wxservice@5xfuture.com)

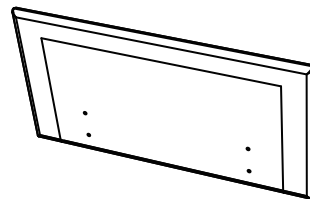
① = 2



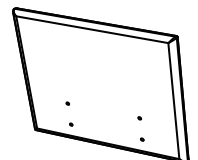
② = 1



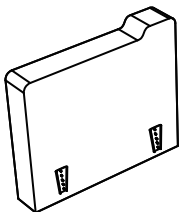
③ = 2



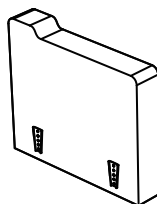
④ = 2



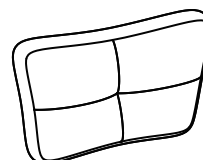
⑤ = 1



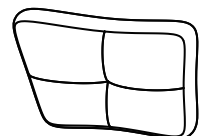
⑥ = 1



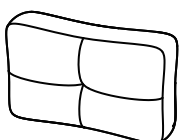
⑦ = 1



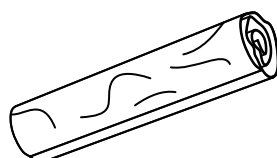
⑧ = 1



⑨ = 4



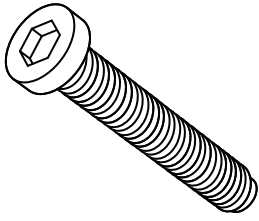
⑩ = 4



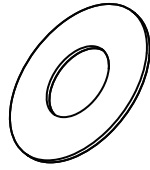
⑪ = 1



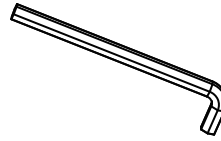
A M8\*50mm=16pcs



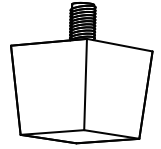
B m8=16pcs



C M5=1pcs

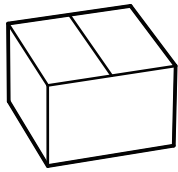


D 12pcs



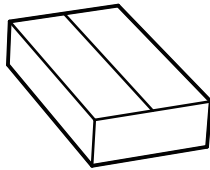
Total of three packages for this product

1



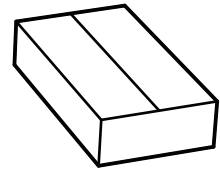
720\*720\*480MM

2



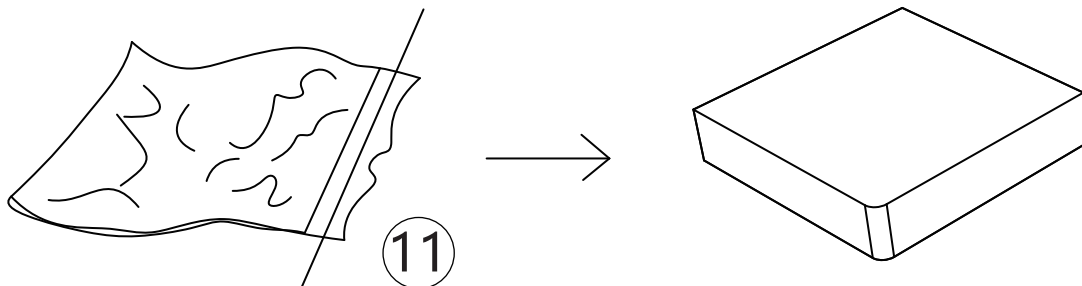
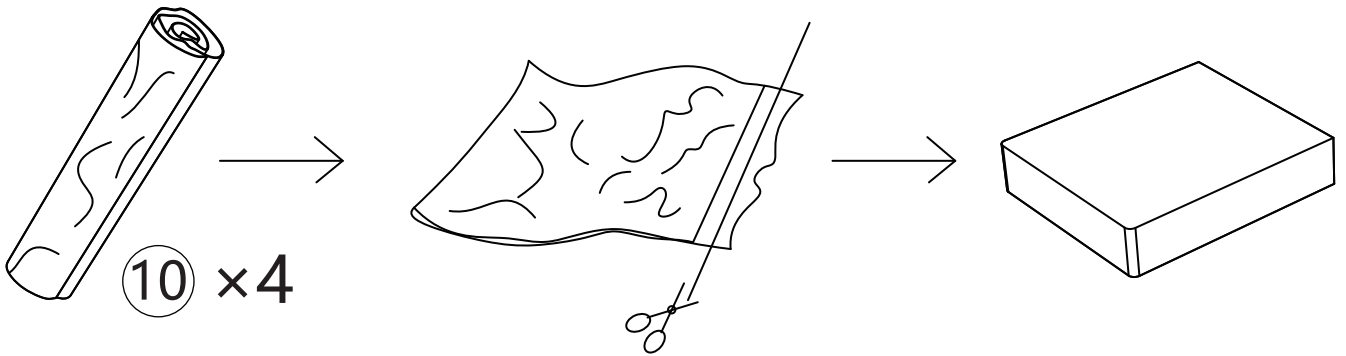
1240\*700\*290MM

3

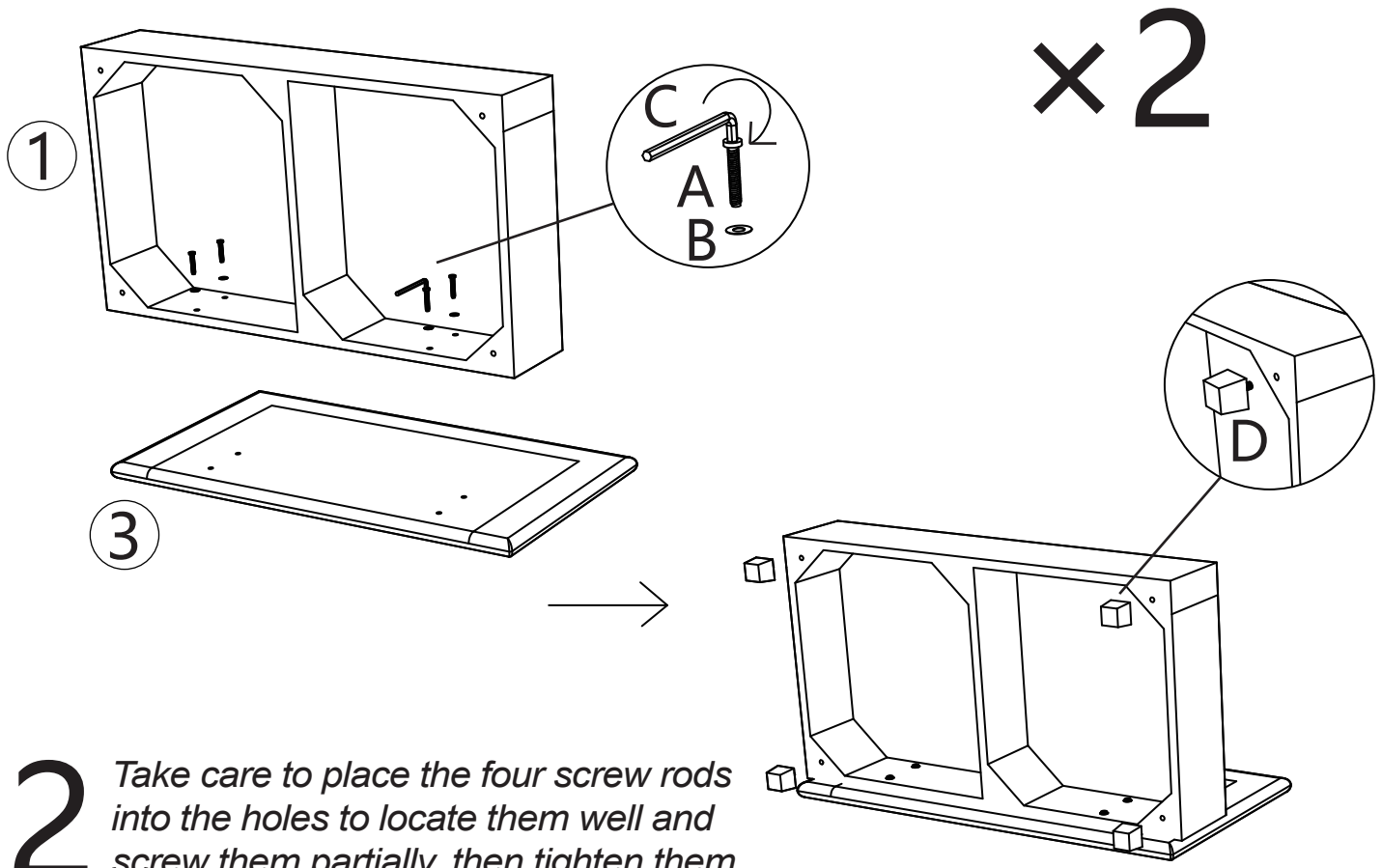


1240\*700\*290MM

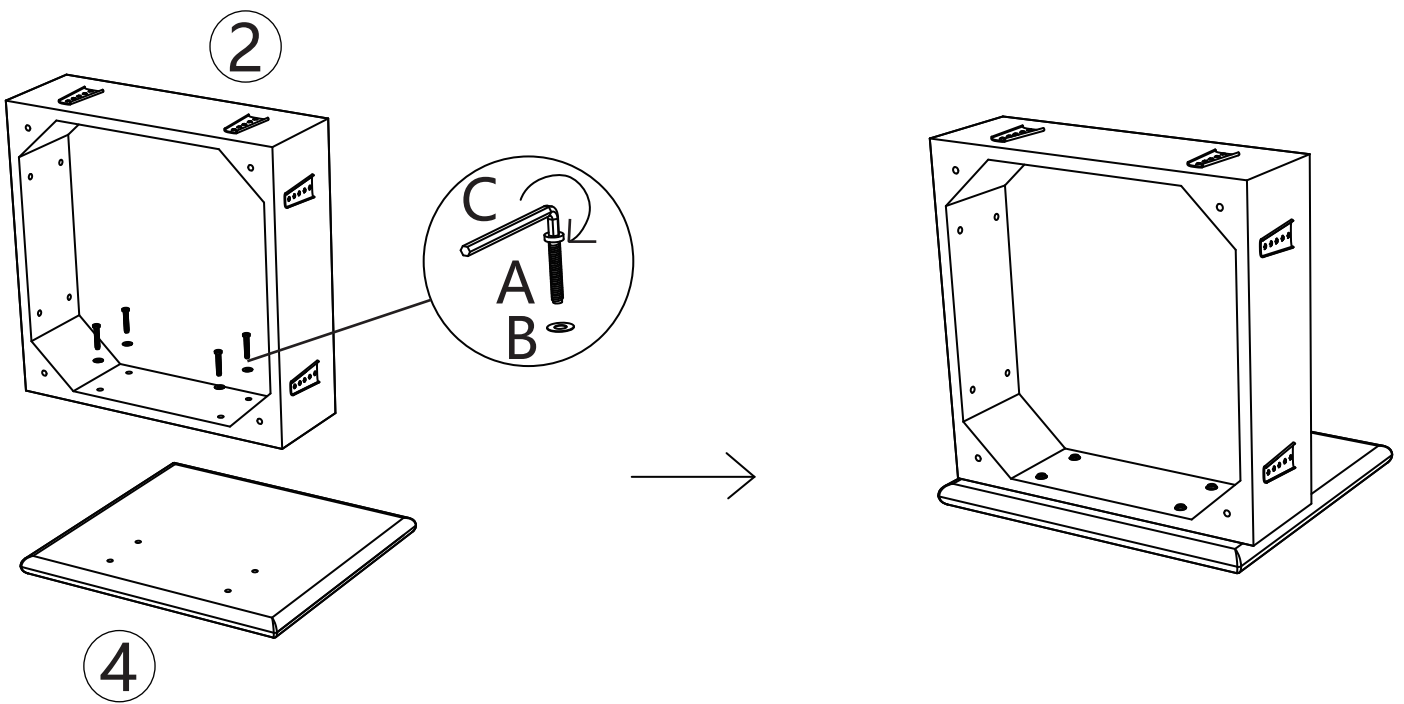
Please follow the following steps to install strictly



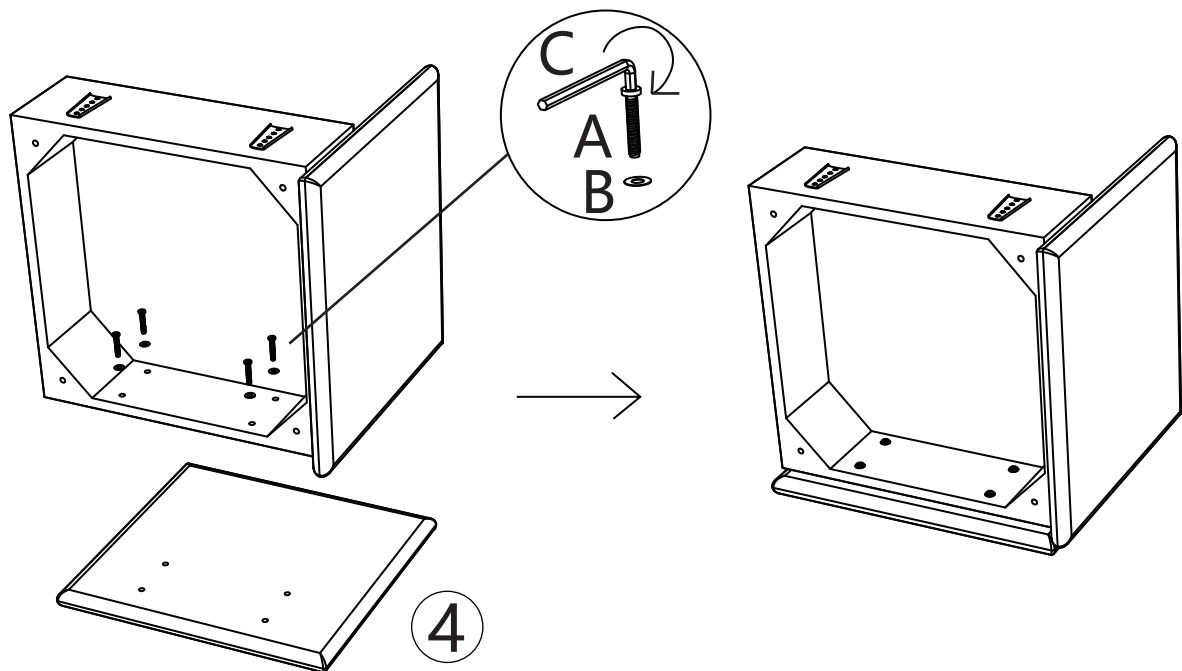
**1** Cut along the edges, being careful not to cut into the fabric covering  
**Need to wait 2 days for full rebound**



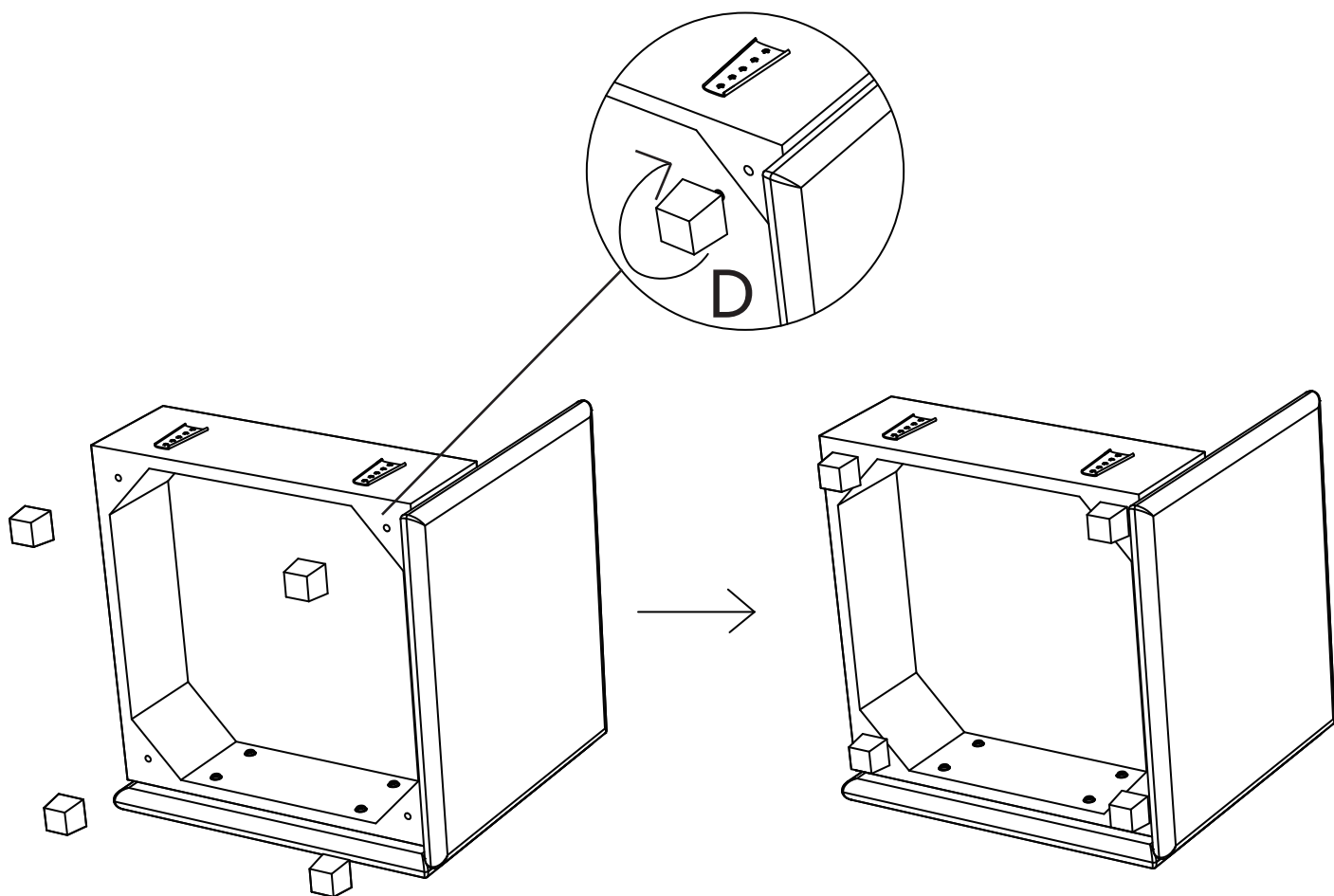
**2** Take care to place the four screw rods into the holes to locate them well and screw them partially, then tighten them one by one with a hex wrench



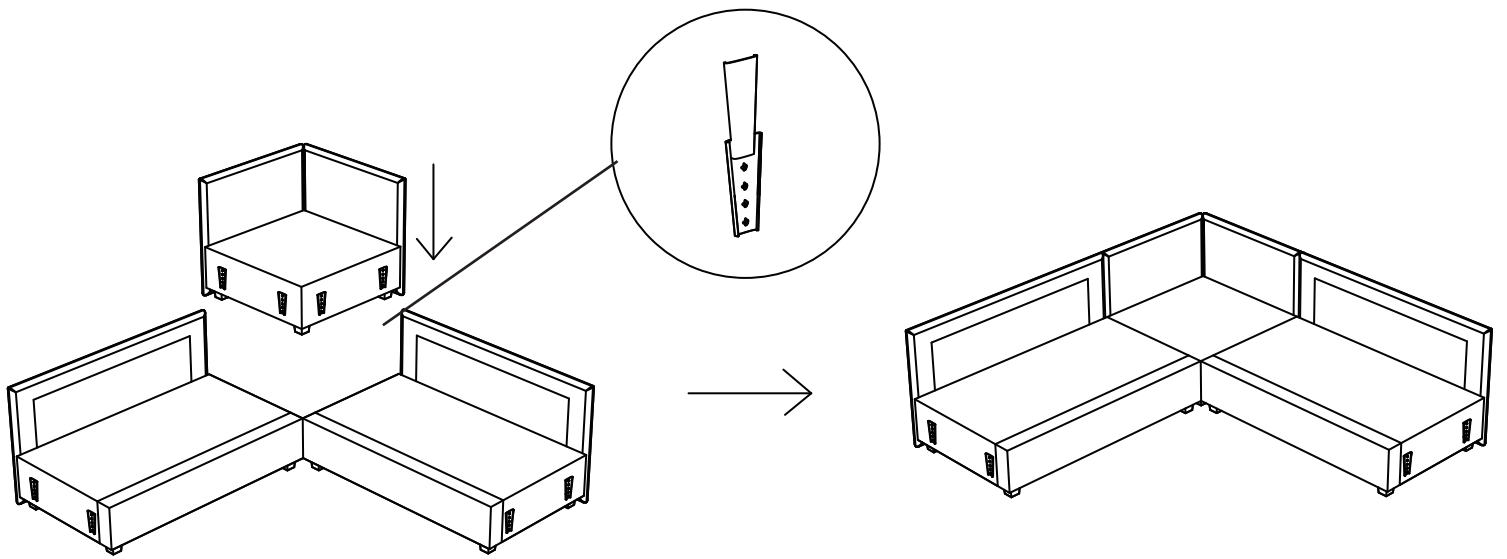
**3** Take care to place the four screw rods into the holes to locate them well and screw them partially, then tighten them one by one with a hex wrench



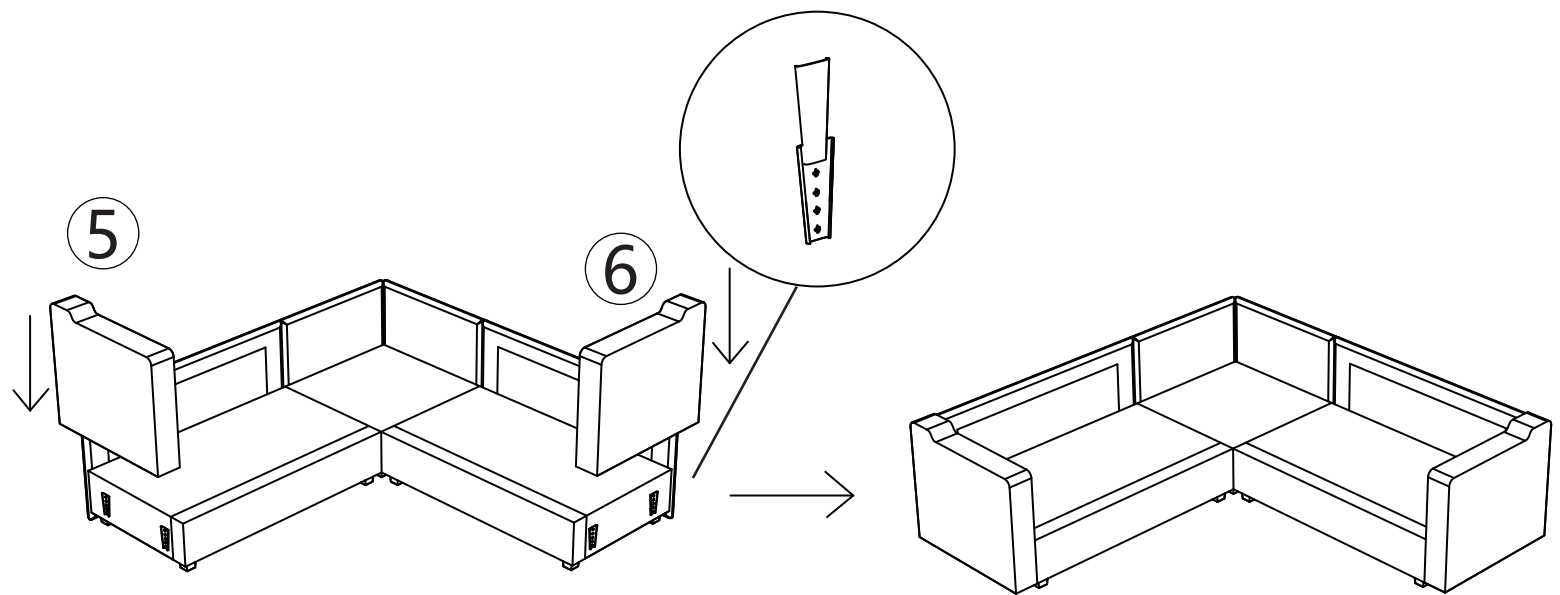
**4** *Take care to place the four screw rods into the holes to locate them well and screw them partially, then tighten them one by one with a hex wrench*



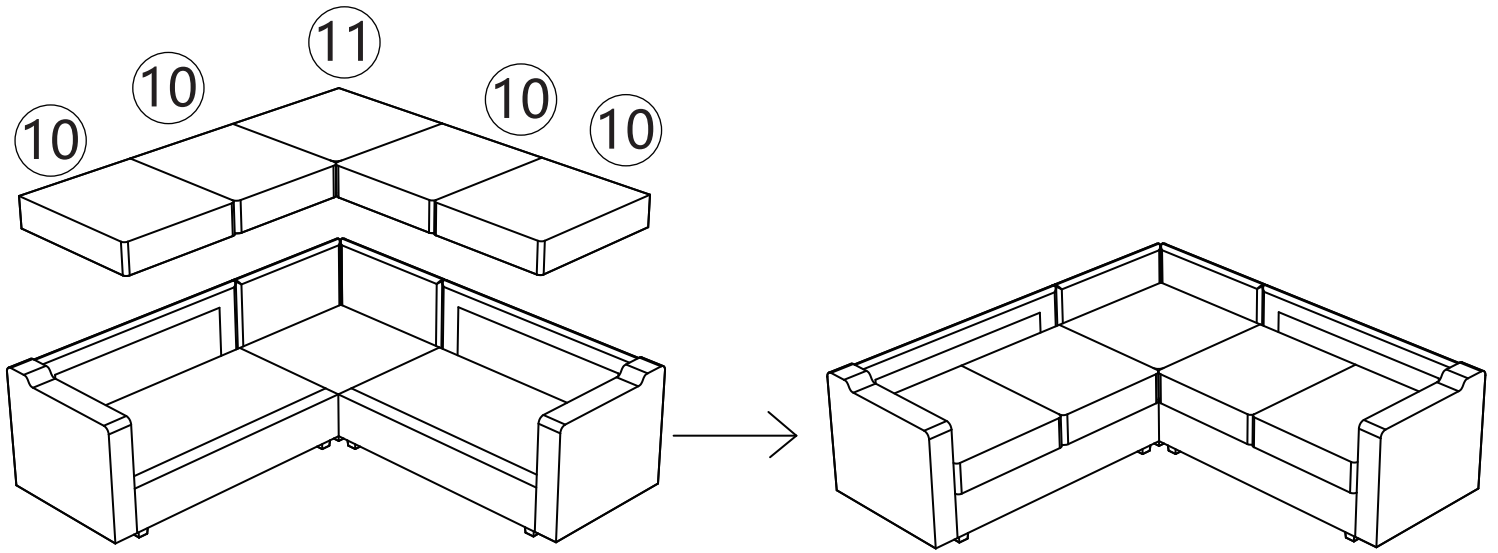
**5**



**6** *The main body is connected by means of snap fasteners*

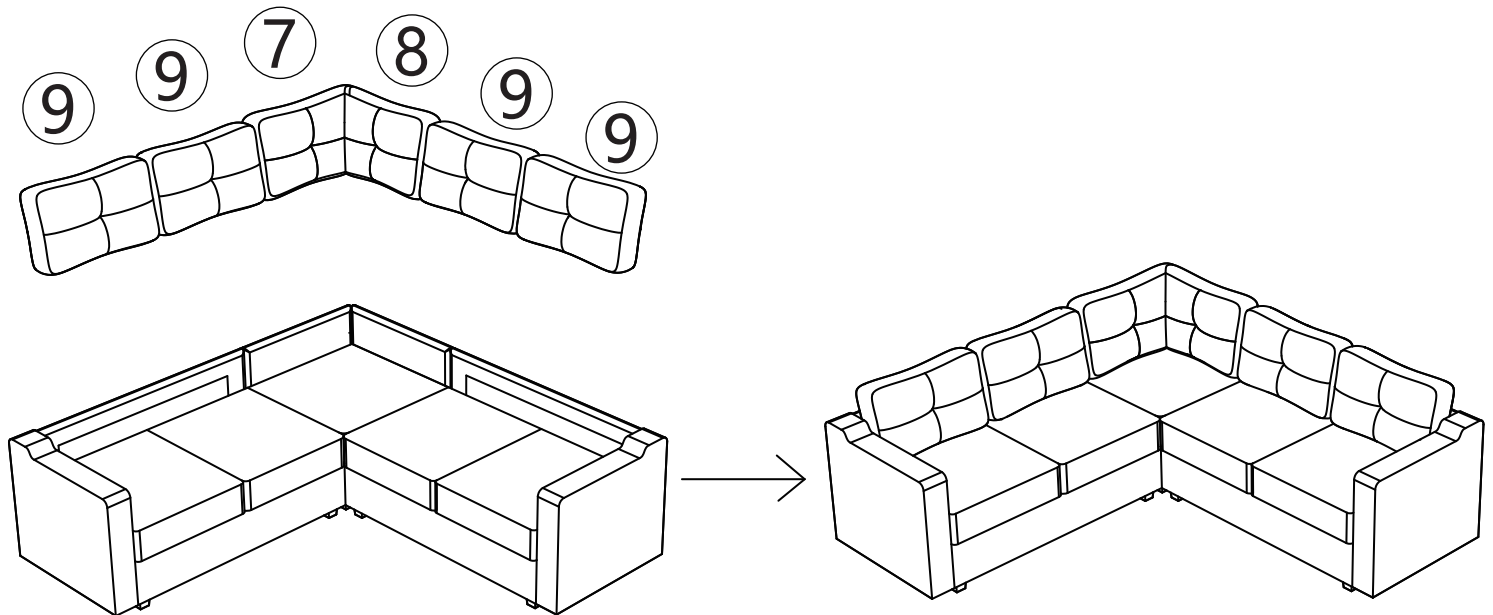


**7** *Snap the handrail into the*



# 8

*Cushion in*



# 9

*Cushion in*