

---

# STORAGE CABINET

User Manual

---

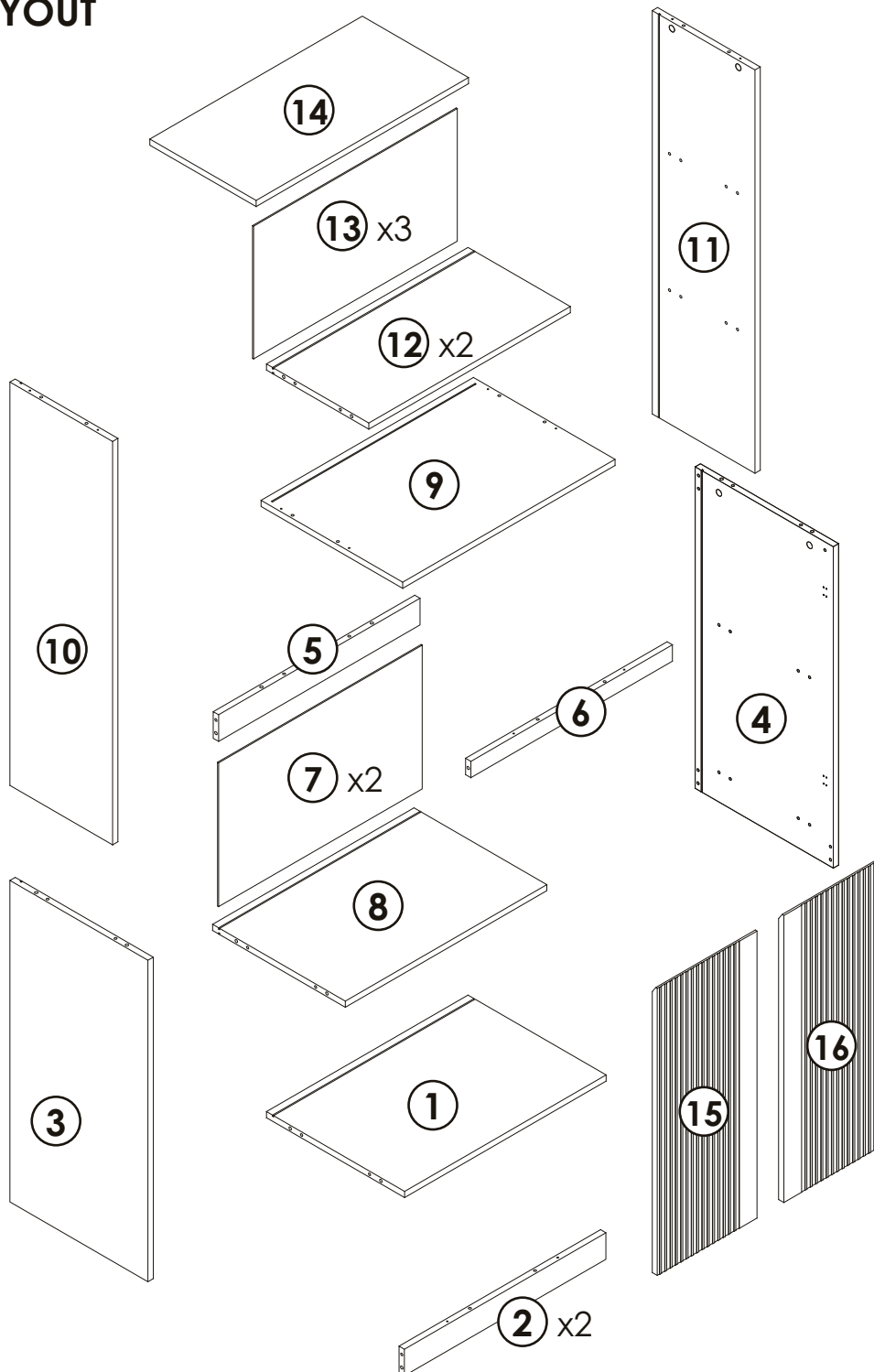
## INTRODUCTION

Thank you for choosing the Storage Cabinet. Please read this user manual carefully and keep it for future reference. If you need any assistance, please contact us by email with your order number and details.

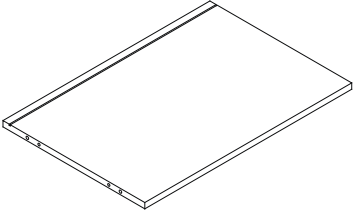
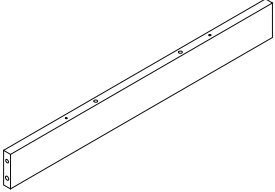
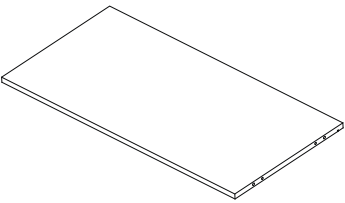
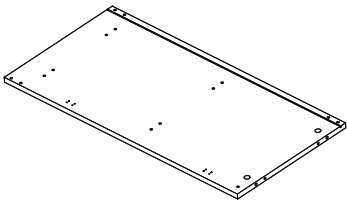
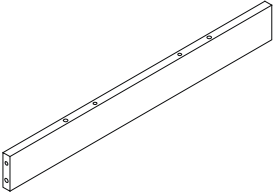
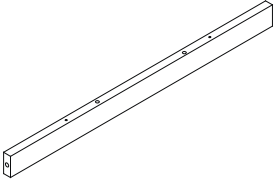
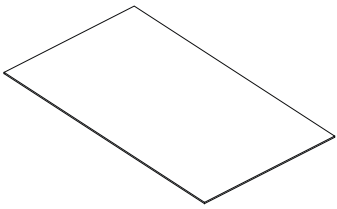
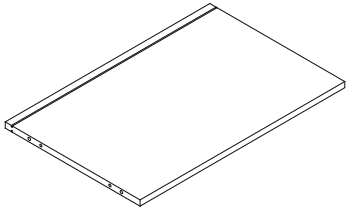
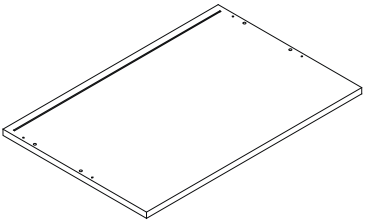
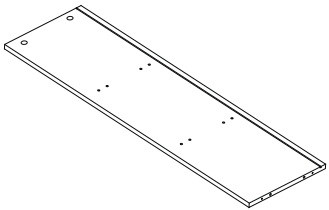
## PACKAGE CONTENTS

- 1 x STORAGE CABINET
- 1 x Pack of Accessories
- 1 x User Manual

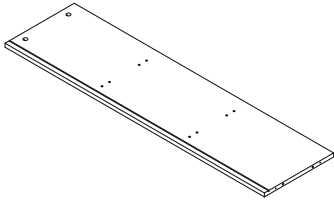
## PANEL LAYOUT



## PARTS LIST

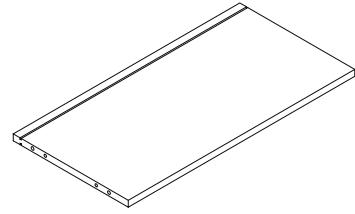
<p>① 56.8*38.7*1.5cm</p>  <p>x1</p>	<p>② 56.8*6.5*1.5cm</p>  <p>x2</p>
<p>③ 78.4*38.8*1.5 cm</p>  <p>x1</p>	<p>④ 78.4*38.8*1.5 cm</p>  <p>x1</p>
<p>⑤ 56.8*6.5*1.5 cm</p>  <p>x1</p>	<p>⑥ 56.8*4*1.5 cm</p>  <p>x1</p>
<p>⑦ 57.6*35.2*0.3 cm</p>  <p>x2</p>	<p>⑧ 56.8*36.5*1.5 cm</p>  <p>x1</p>
<p>⑨ 60*40*1.5 cm</p>  <p>x1</p>	<p>⑩ 98.5*28.8*1.5 cm</p>  <p>x1</p>

⑪ 98.5\*28.8\*1.5 cm



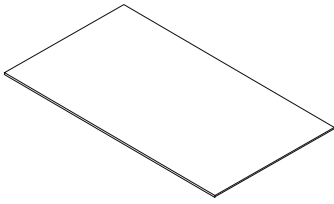
x1

⑫ 56.8\*28.7\*1.5 cm



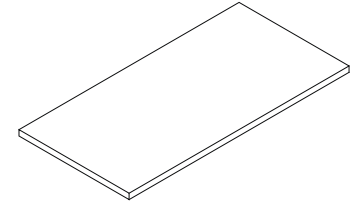
x2

⑬ 57.6\*32.6\*0.3 cm



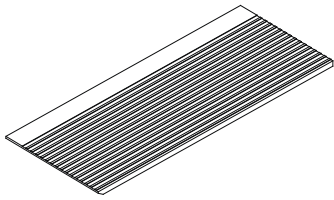
x3

⑭ 60\*30\*1.5 cm



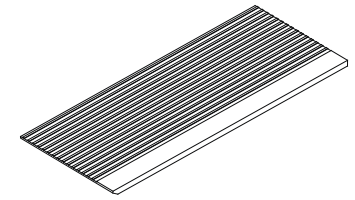
x1

⑮ 67.5\*27.8\*1.5 cm



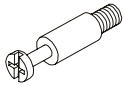
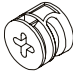
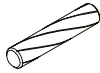

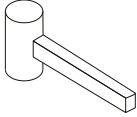

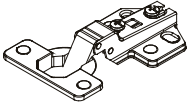
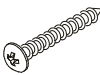
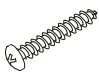
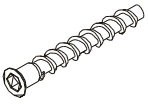
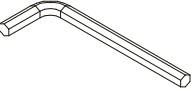
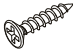
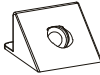
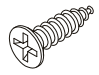

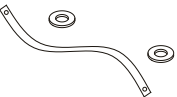
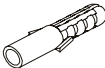

x1

⑯ 67.5\*27.8\*1.5 cm



x1

# ACCESSORIES LIST

					TOOLS REQUIRED:	
<b>A</b> 6*35 mm  x34+1	<b>B</b> 15*10 mm  x34+1	<b>C</b> 5.8*30 mm  x42+3	<b>Screwdriver</b> 		<b>Hammer</b> 	
<b>D</b> 4*35 mm  x2	<b>E</b>  x4	<b>F</b> 4*50 mm  x4	<b>G</b> 4*40 mm  x2	<b>H</b> 6.5*40 mm  x4		
<b>I</b>  x1	<b>J</b> 3*16 mm  x17+1	<b>K</b>  x17+1	<b>L</b> M4*14mm  x24+2	<b>M</b> 4*14 mm  x2		
<b>N</b>  x2	<b>O</b>  x2	<b>P</b>  x4				

## PRODUCT CARE

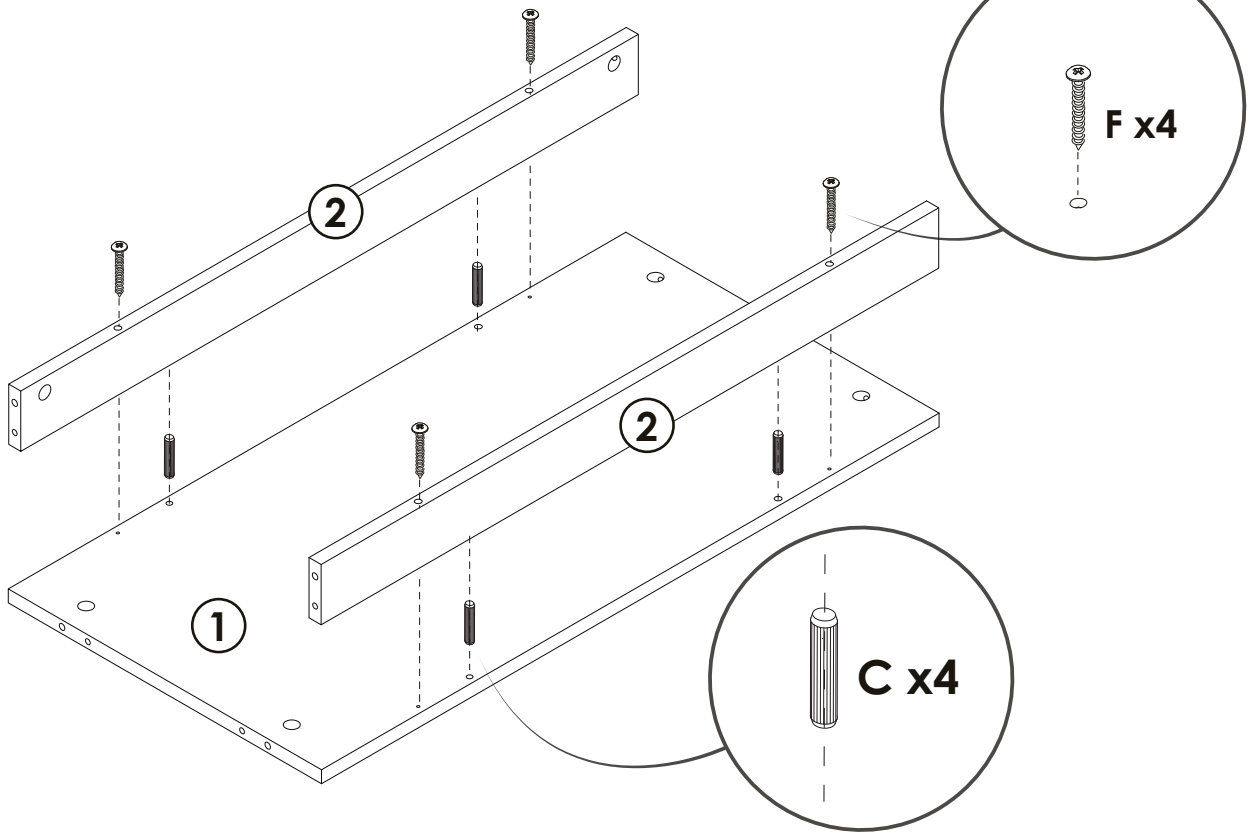
- Please follow the instruction to assemble this item correctly.
- Don't make the screws be too loose or too tight.
- Please put the screws into the holes' position just as shown in the arrows of the image, and then clockwise rotate 90° or 180°
- More product parts, it is recommended that two people install
- The fittings pack contains small accessories that should be kept away from small children.

1

YOU WILL NEED

C x4

F x4

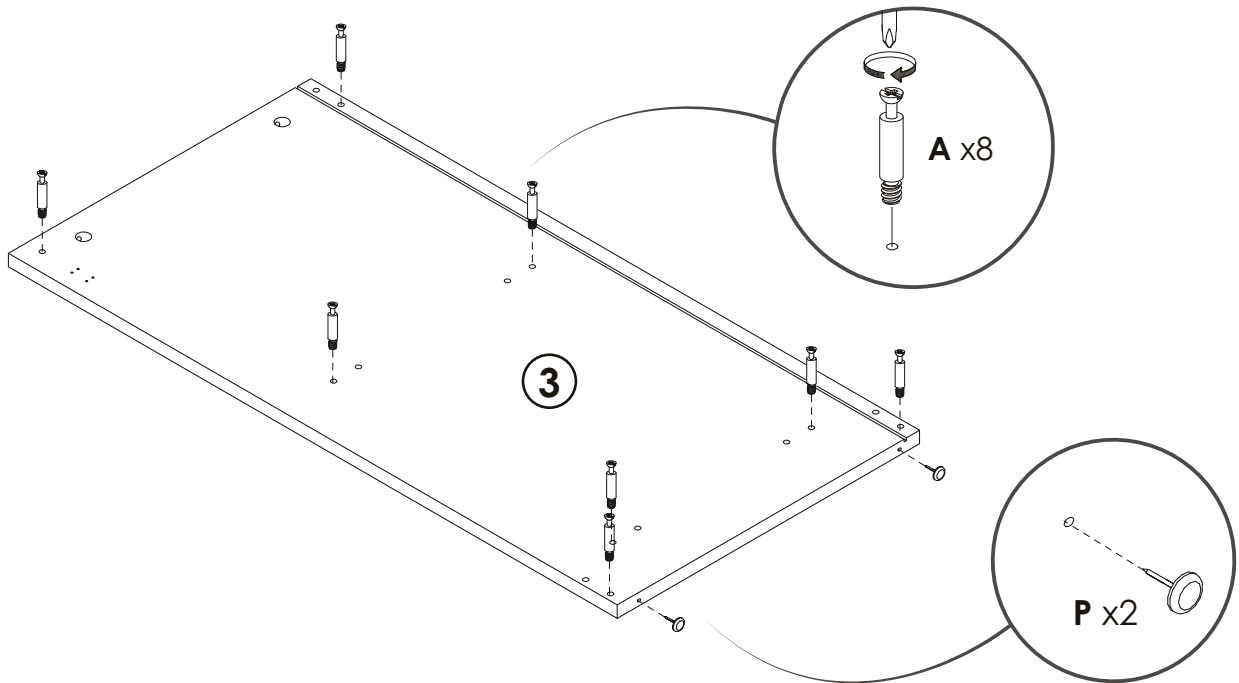


2

YOU WILL NEED

A x8

P x2

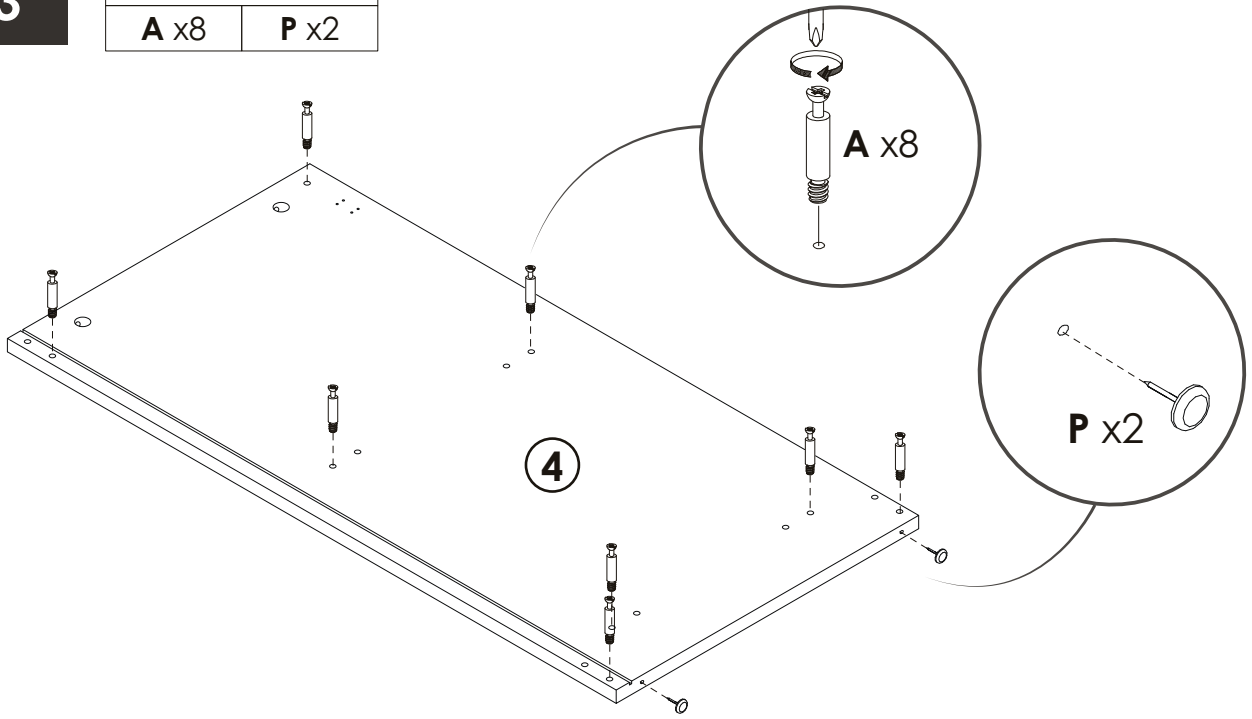


3

YOU WILL NEED

A x8

P x2

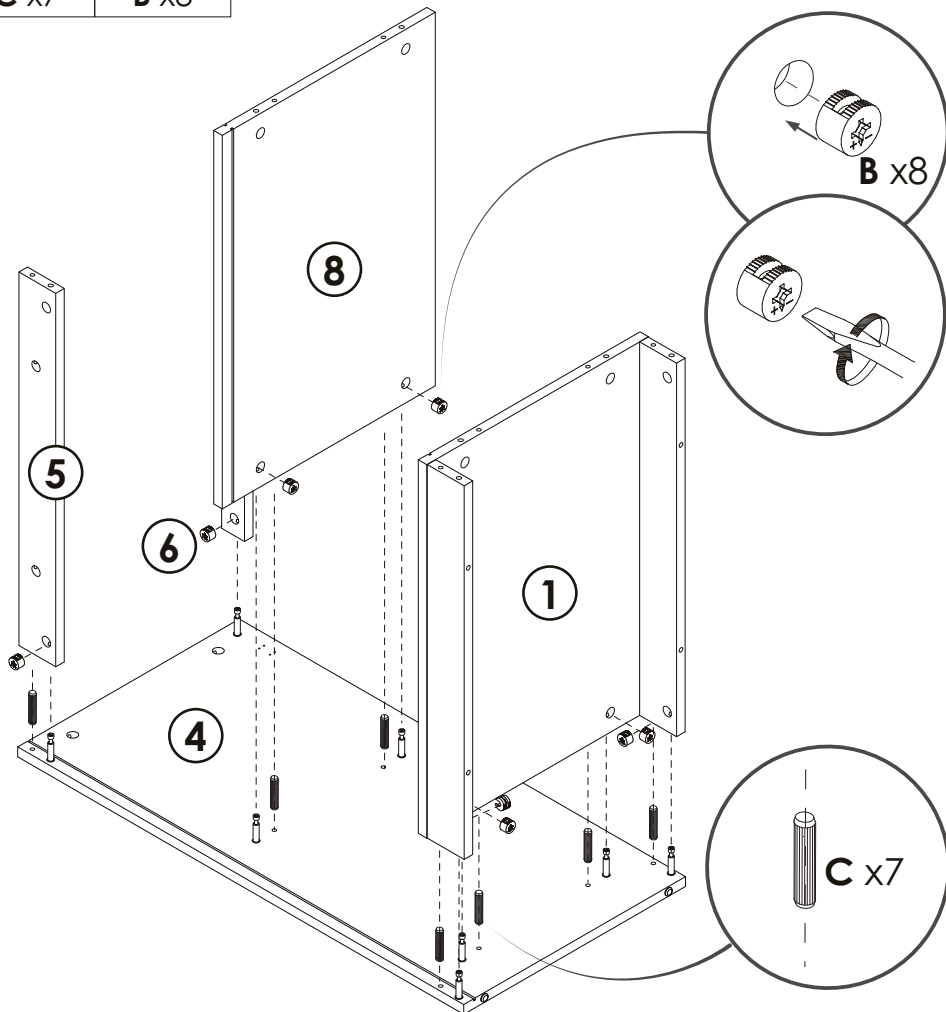


4

YOU WILL NEED

C x7

B x8

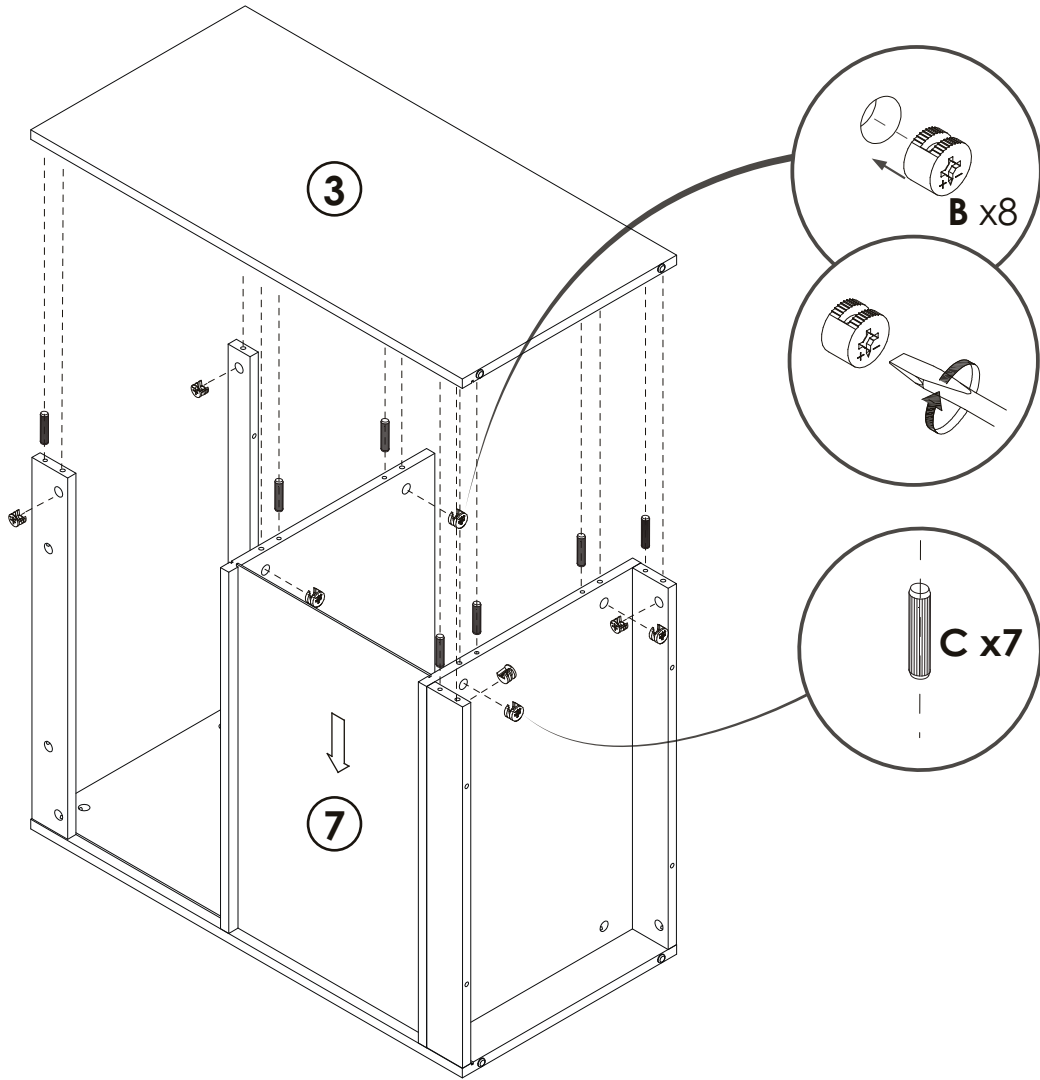


5

YOU WILL NEED

C x7

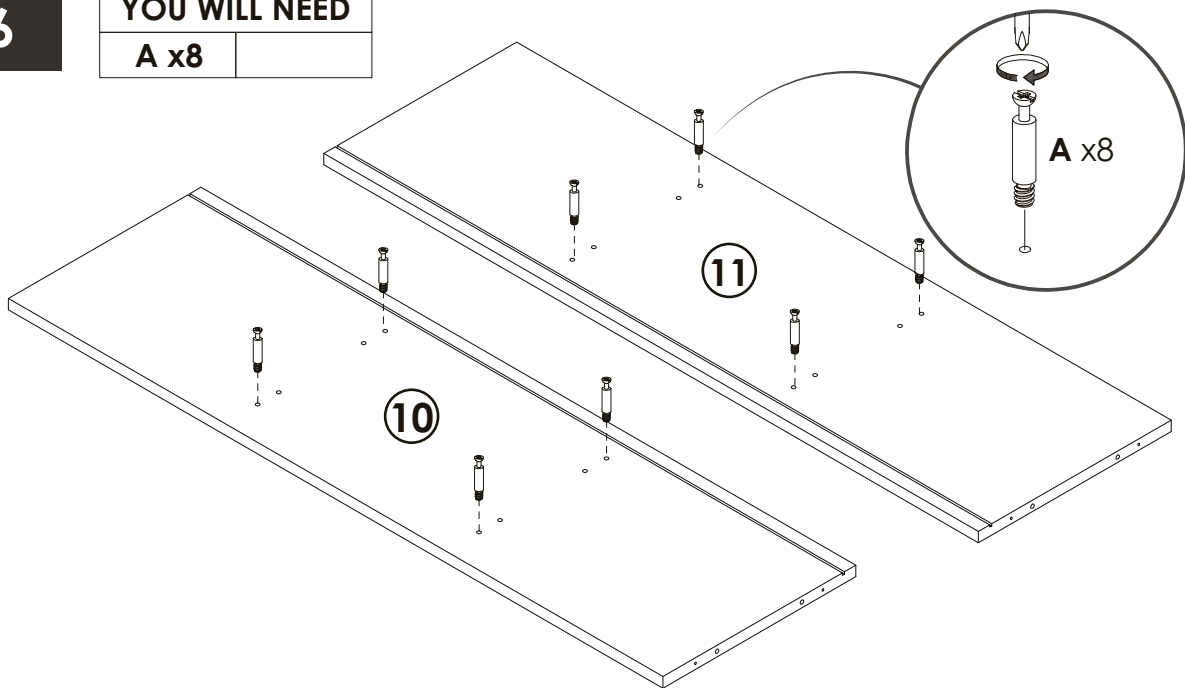
B x8



6

YOU WILL NEED

A x8

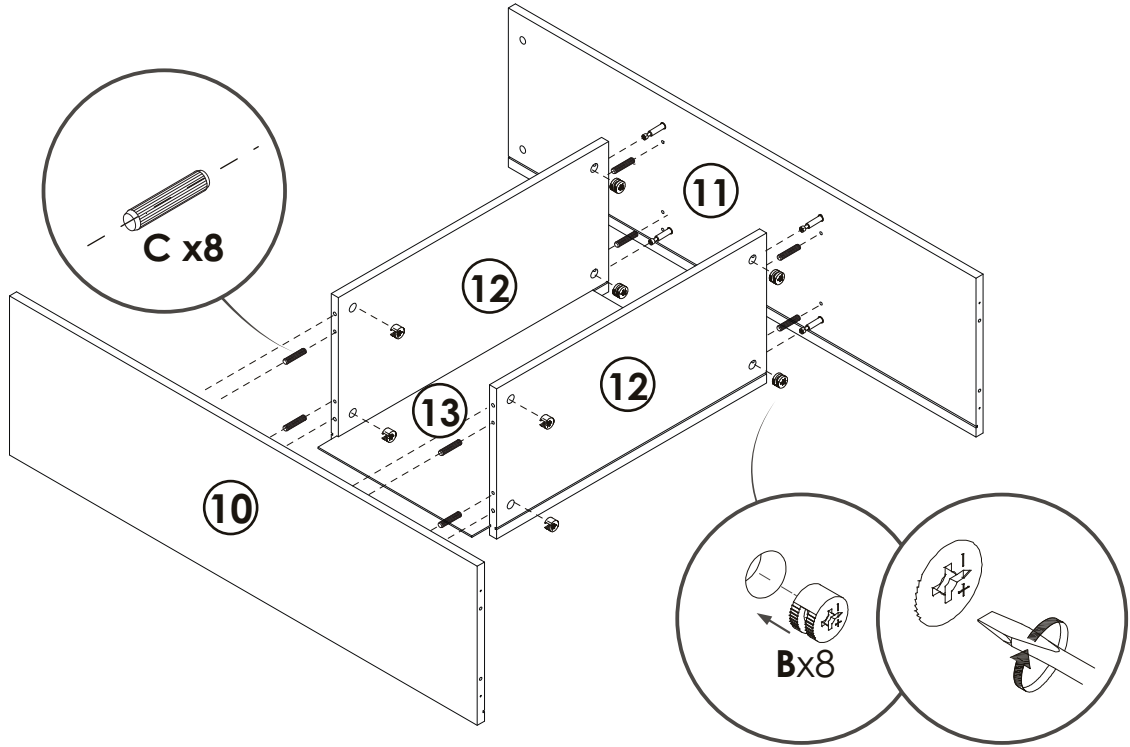


7

YOU WILL NEED

B x8

C x8



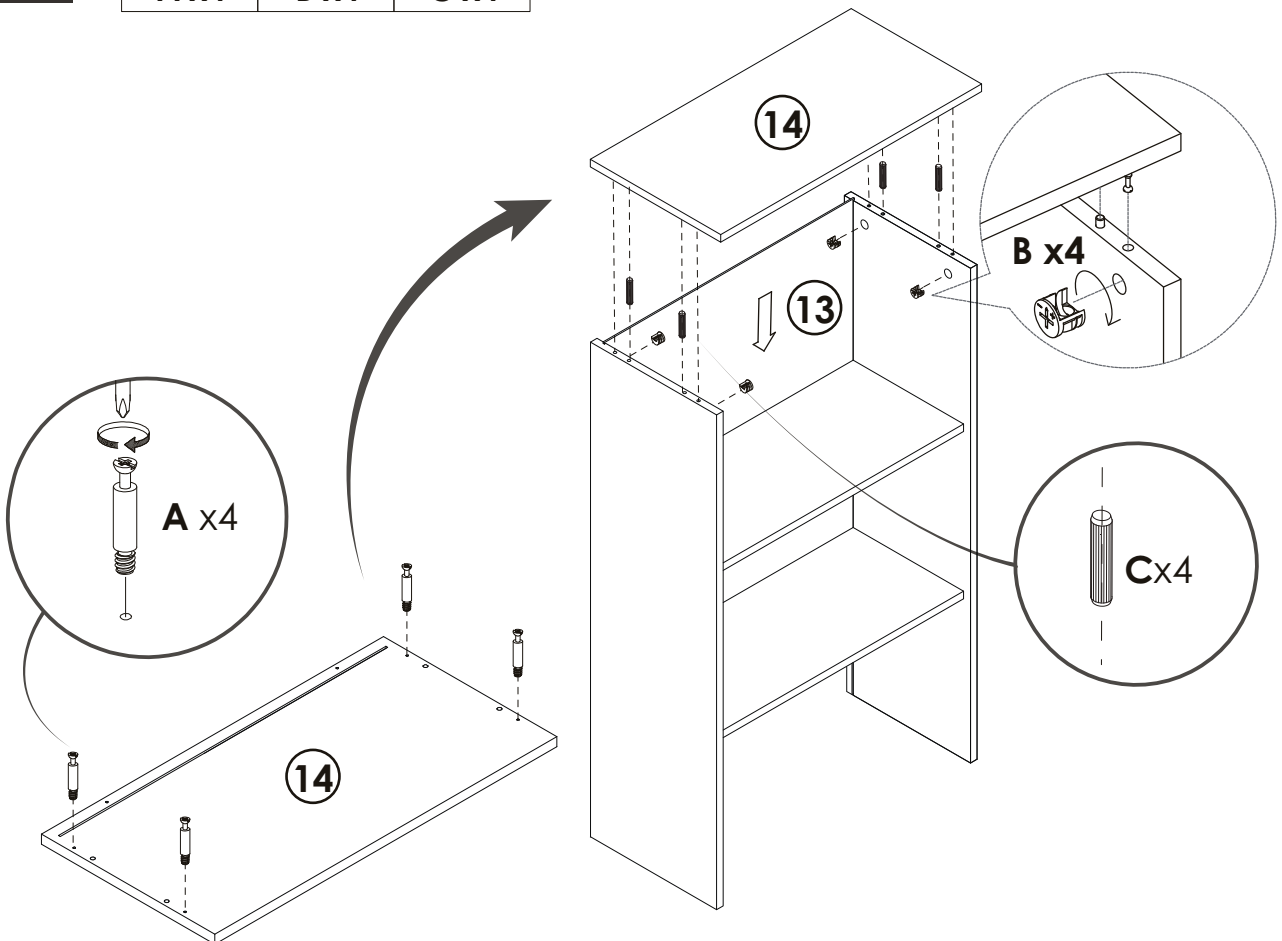
8

YOU WILL NEED

A x4

B x4

C x4



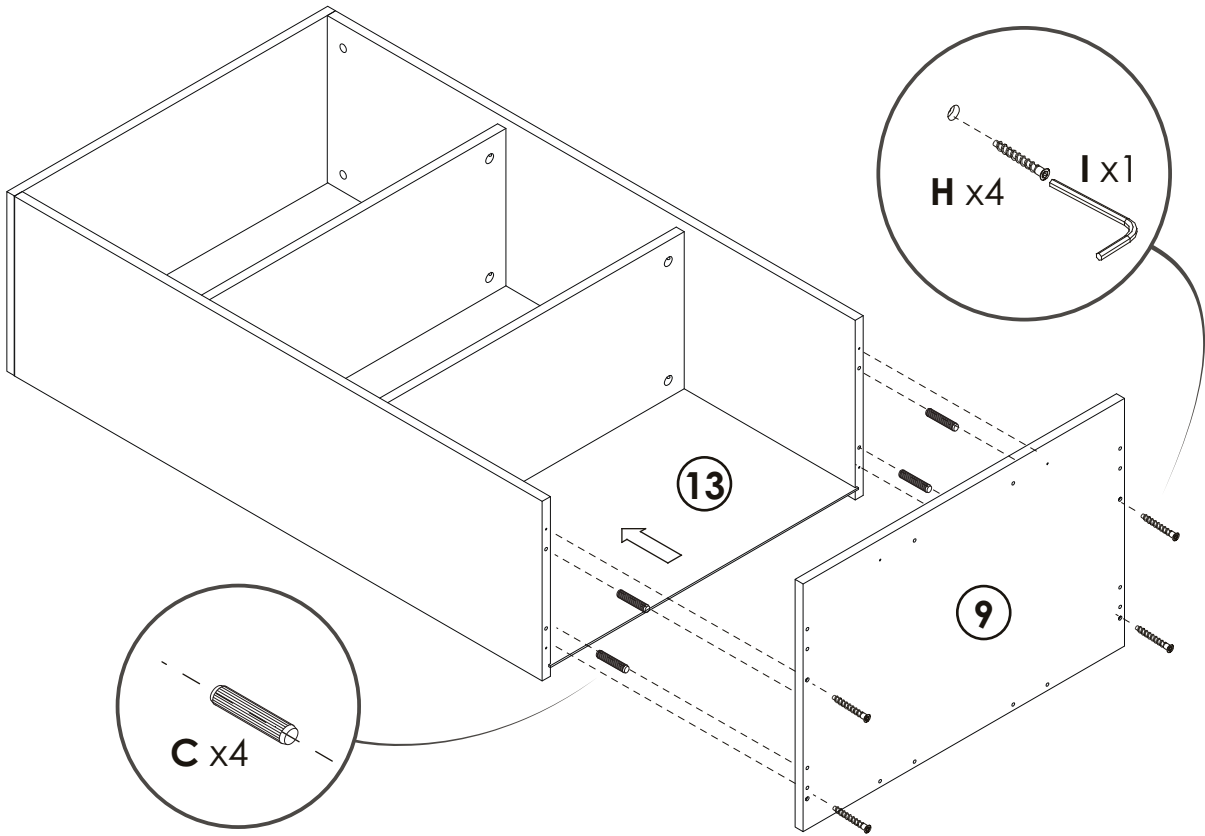
9

YOU WILL NEED

H x4

C x4

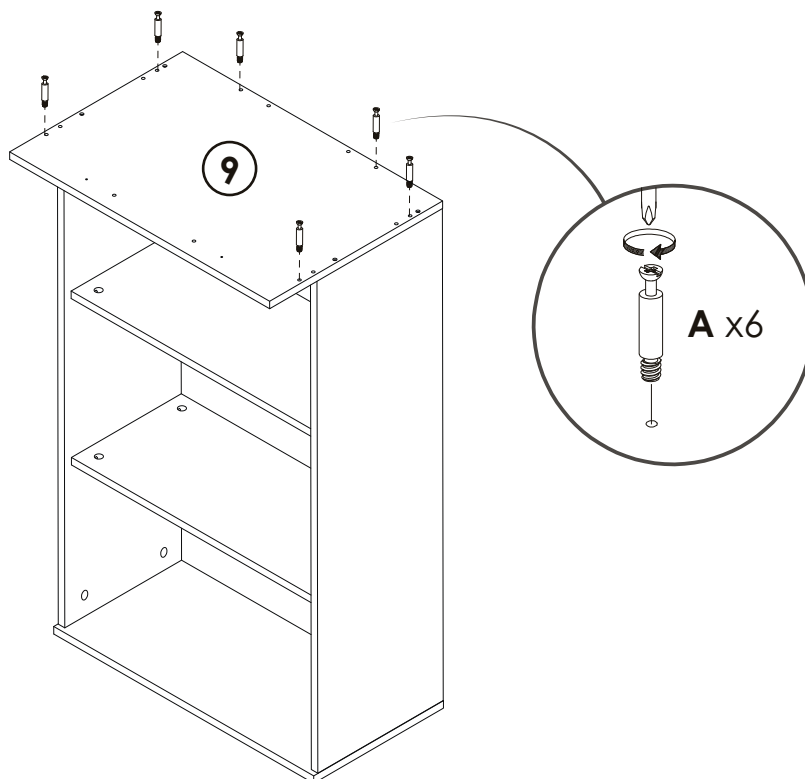
I x1



10

YOU WILL NEED

A x6



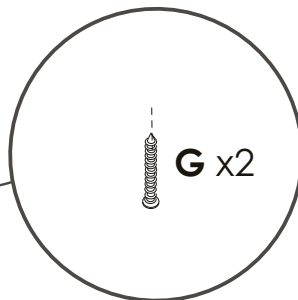
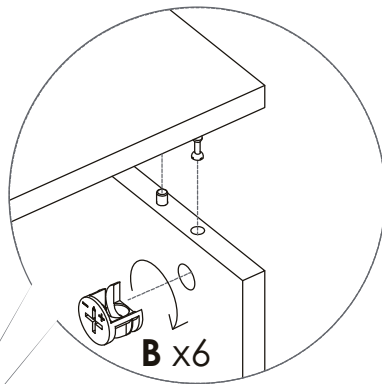
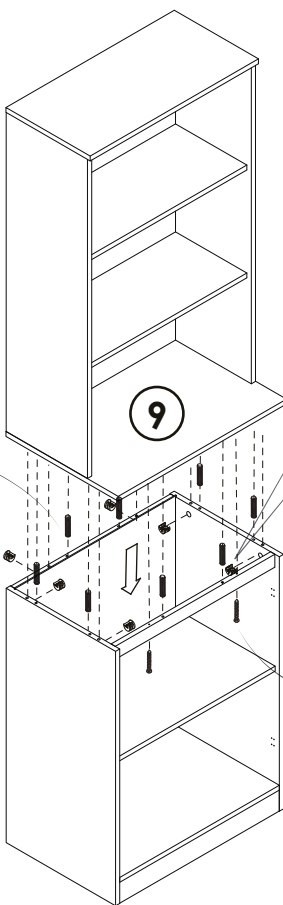
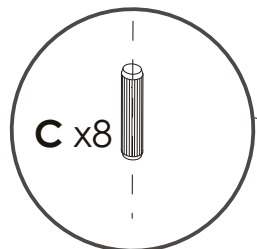
11

YOU WILL NEED

B x6

C x8

G x2



12

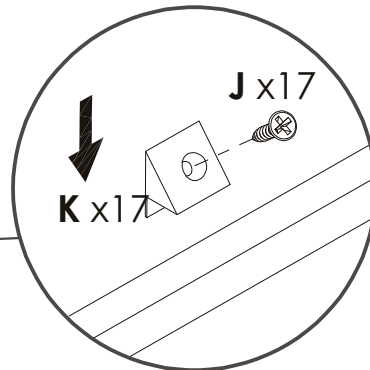
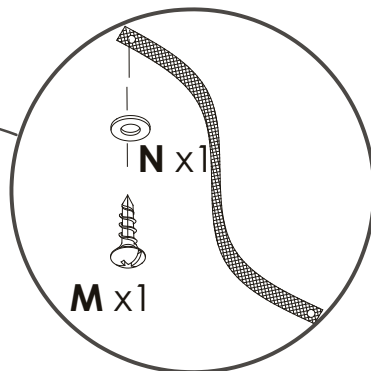
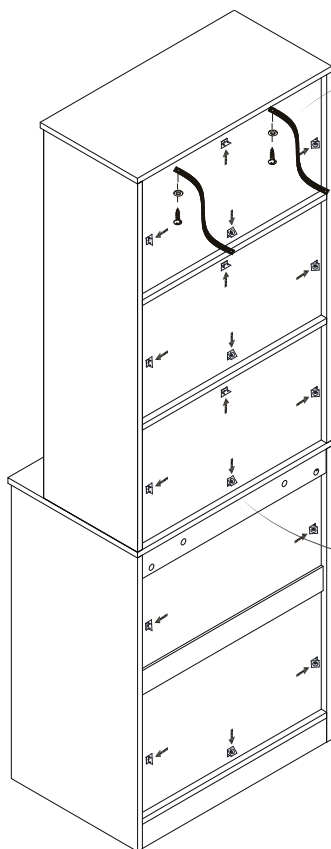
YOU WILL NEED

N x2

M x2

K x17

J x17

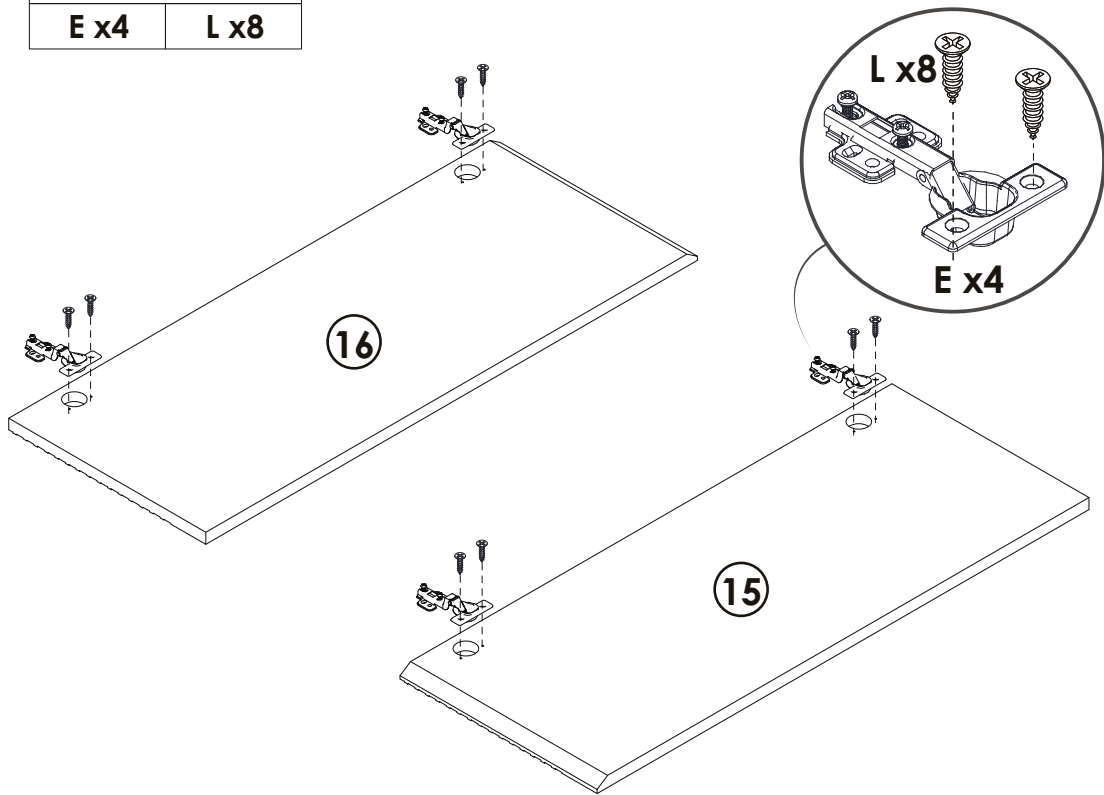


13

YOU WILL NEED

E x4

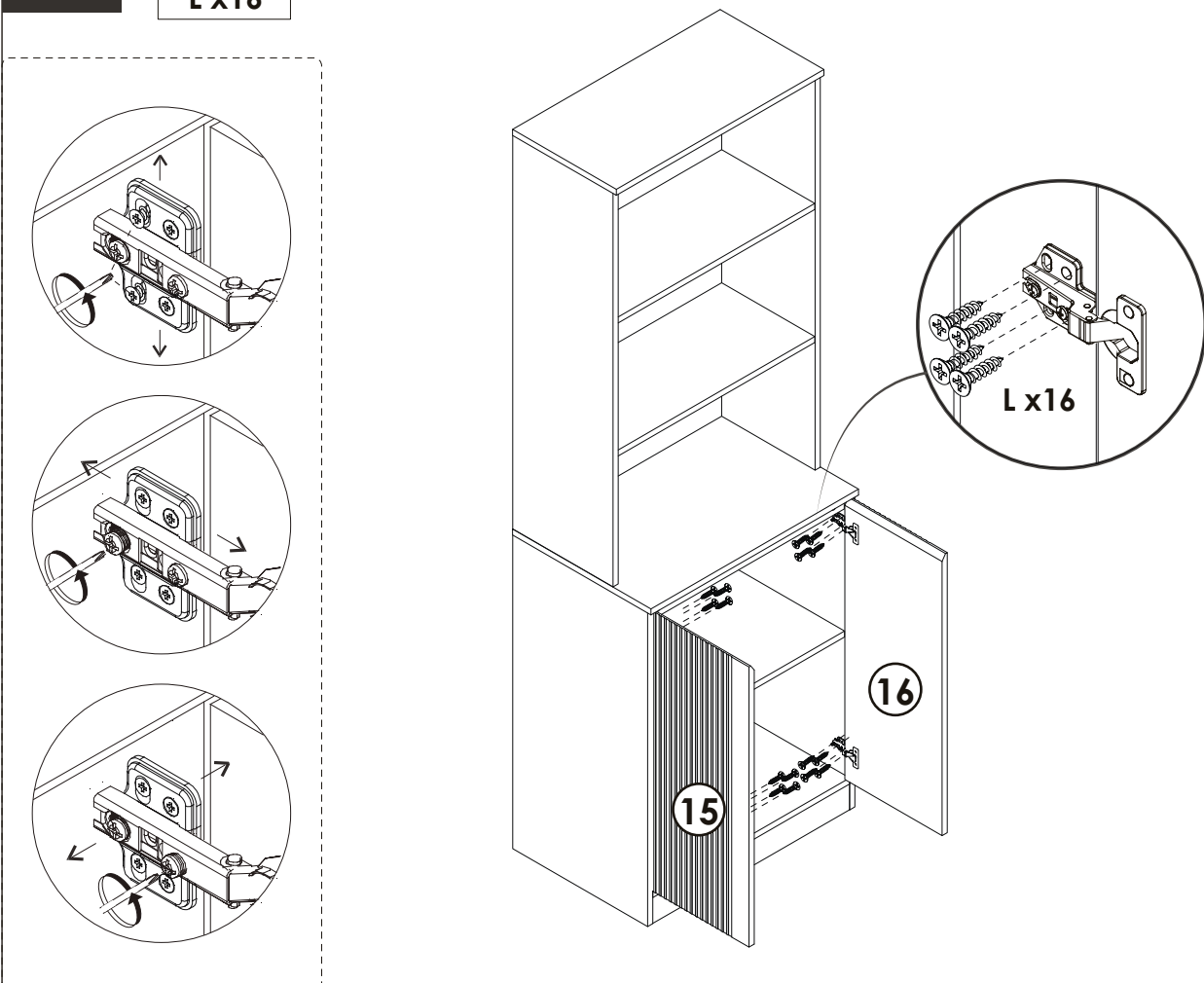
L x8



15

YOU WILL NEED

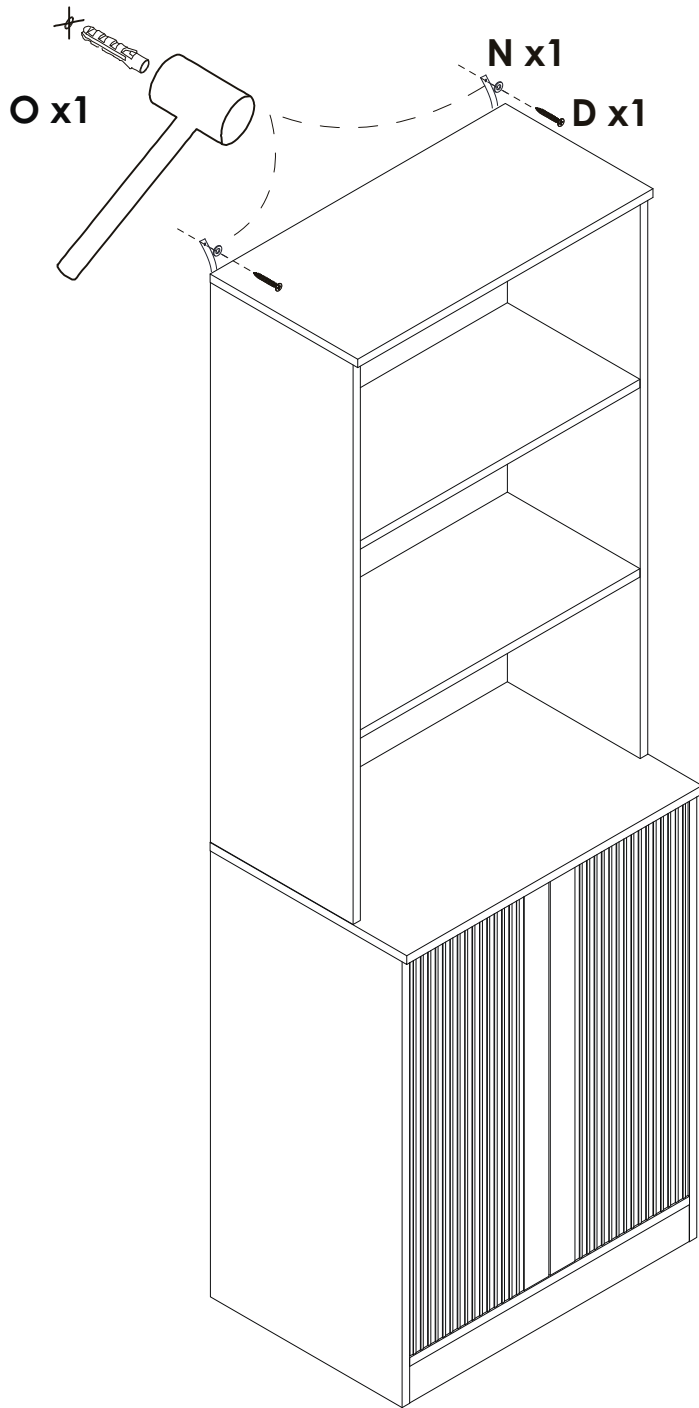
L x16

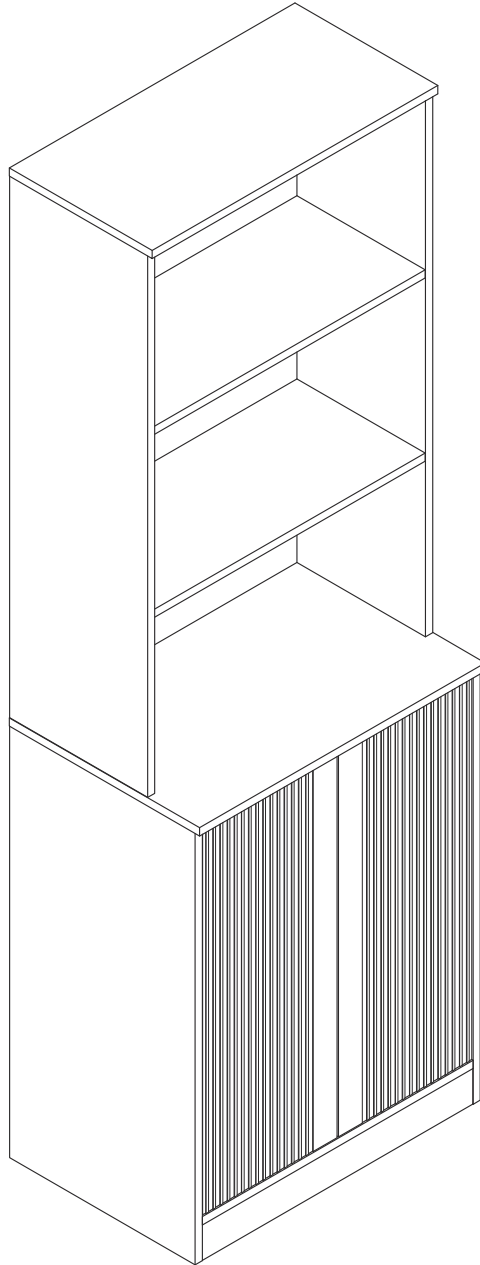


16

YOU WILL NEED

D x2	O x2	N x2
------	------	------





## GUARANTEE

Bookcase offers a **90-days** warranty that begins on the date of the original purchase and applies to problems caused by the manufacturer. For questions, assistance, or support, please contact the Customer Service by e-mail with your order number and details. We will send you further information about the solution.