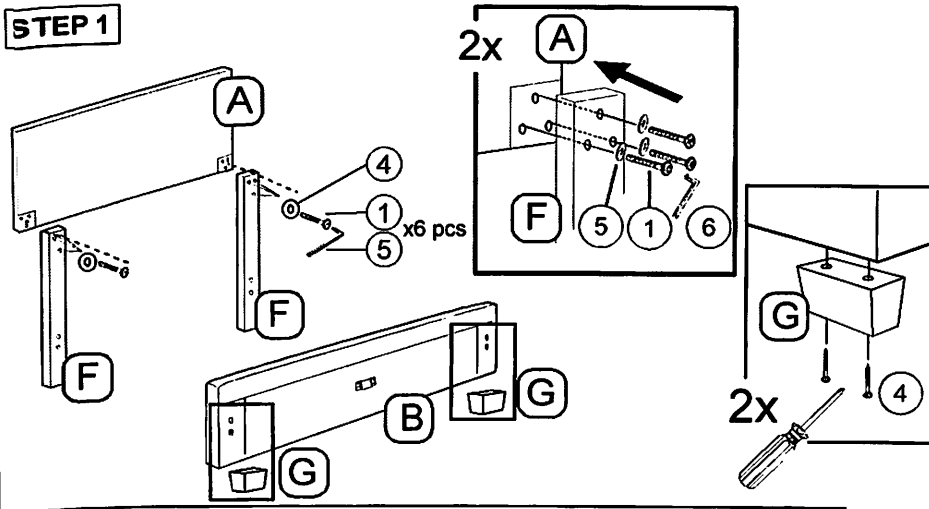


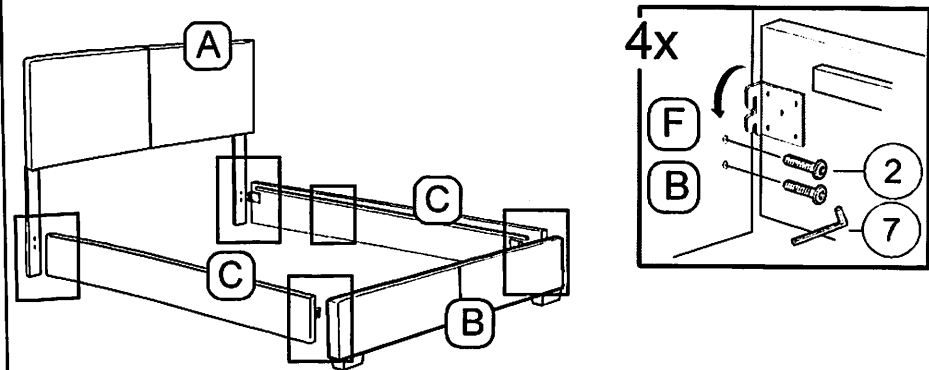
MODEL: PANEL QUEEN / FULL BED

ASSEMBLY INSTRUCTIONS

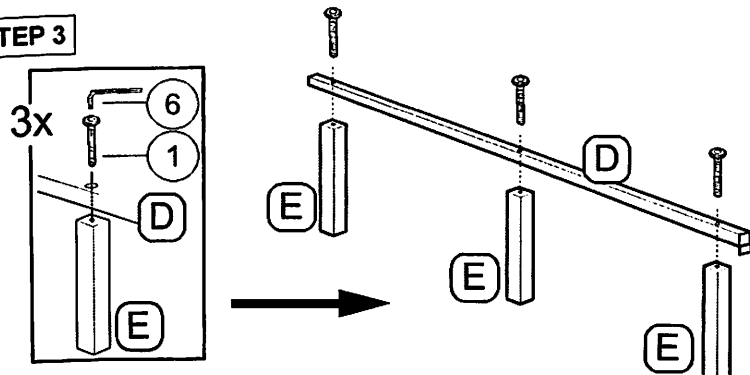
STEP 1



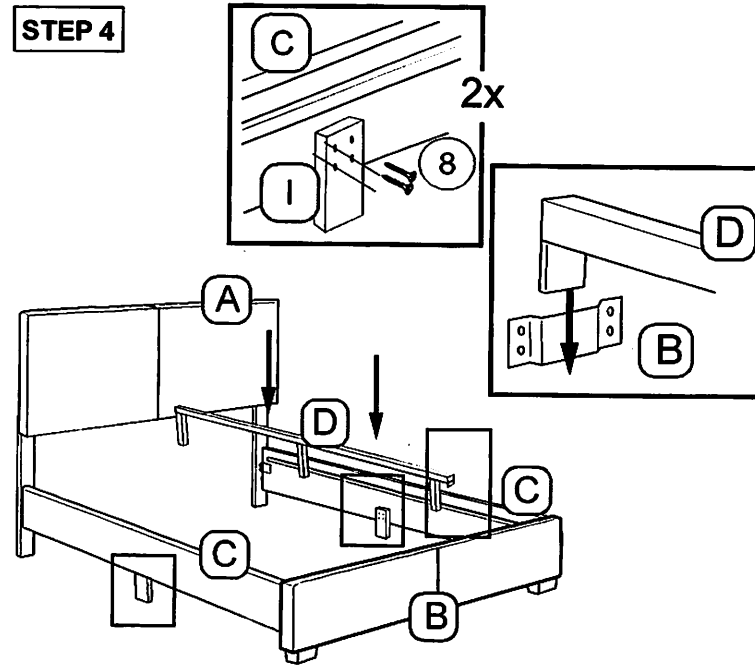
STEP 2



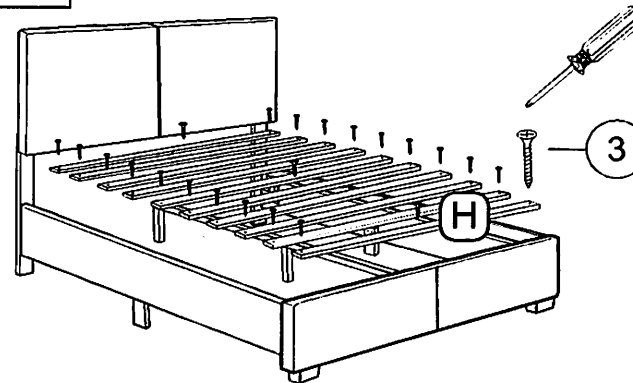
STEP 3



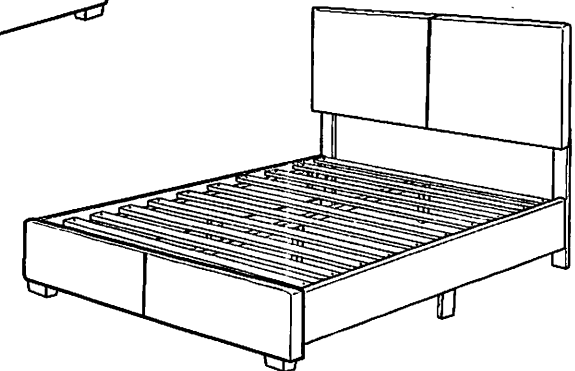
STEP 4



STEP 5



COMPLETE
ASSEMBLED



| NO | PART LIST | QTY |
|----|------------------------|--------|
| A | HeadBoard | 1 pc |
| B | FootBoard | 1 pc |
| C | Side Rail | 2 pcs |
| D | Bed Center Rail | 1 pcs |
| E | Bed Center Support Leg | 3 pcs |
| F | HeadBoard Leg | 2 pcs |
| G | FootBoard Leg | 2 pcs |
| H | Bed Slat | 10 pcs |
| I | Side Rail Support Leg | 2 pcs |

| NO | HARDWARE LIST | QTY |
|----|----------------------|--------|
| 1 | JCBC BOLT M6 x 50MM | 9 pcs |
| 2 | JCBB BOLT M8 x 16MM | 8 pcs |
| 3 | CSK SCREW M4 x 30MM | 23 pcs |
| 4 | CSK SCREW M4 x 45MM | 4 pcs |
| 5 | FLAT WASHER | 6 pcs |
| 6 | M4 ALLEN KEY | 1 pc |
| 7 | M5 ALLEN KEY | 1 pc |
| 8 | CSK SCREW M4 X 25 MM | 8 pcs |

Read this instruction carefully. Remove all wrapping material, staples and straps from the carton. See hardware and furniture part list for guidance. Be sure you have all wooden furniture parts on a clean and flat soft surface, such as a carpet or rug, to prevent from being scratched.

- CAUTION :**
- Do not FULLY - TIGHTEN the nut or screw until all is ready to assemble.
 - Do not OVER - TIGHTEN the nut or screw to avoid causing damages to the thread.
 - Keep all hardware part out reach of children.

