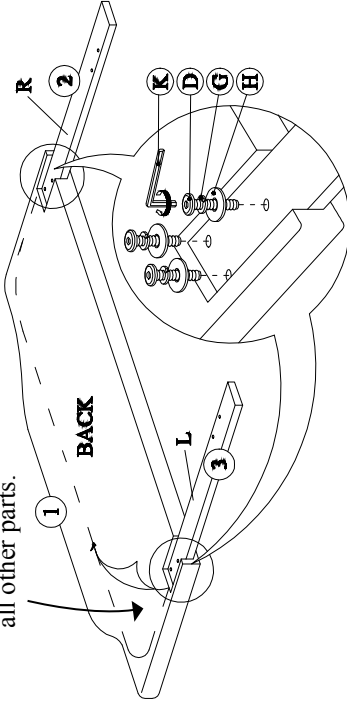


ASSEMBLY INSTRUCTION

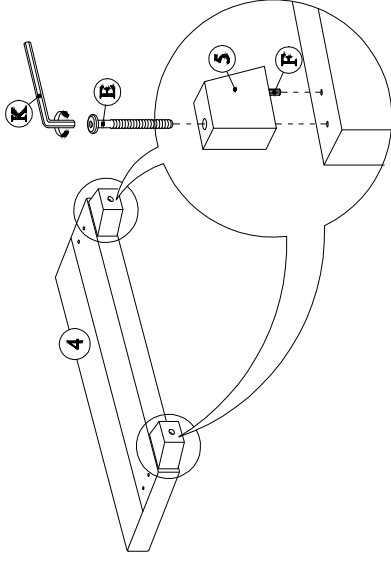
ITEM : 80009 QB / 80009 FB

STEP 1

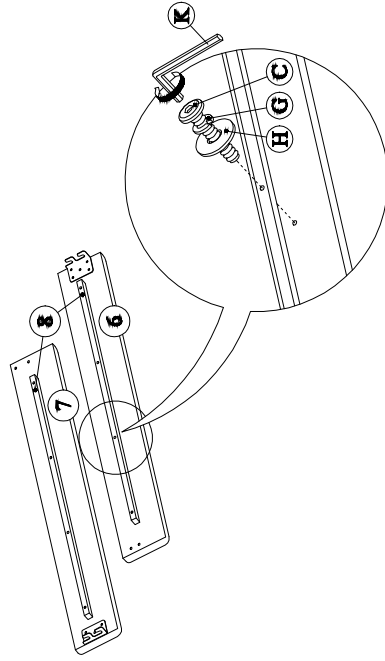
Open zipper to get all other parts.



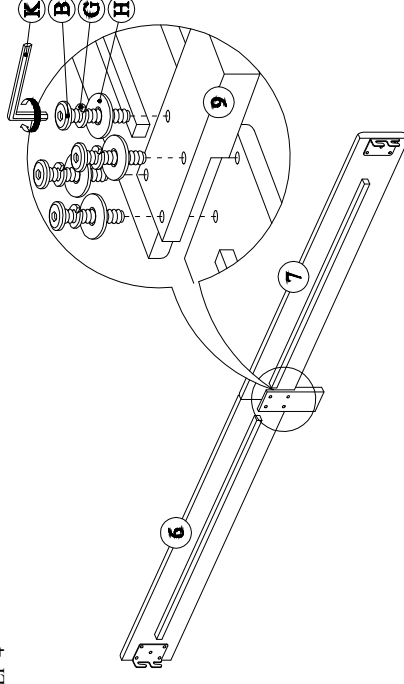
STEP 2



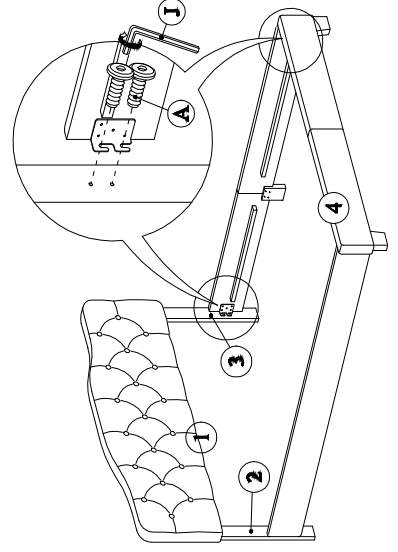
STEP 3



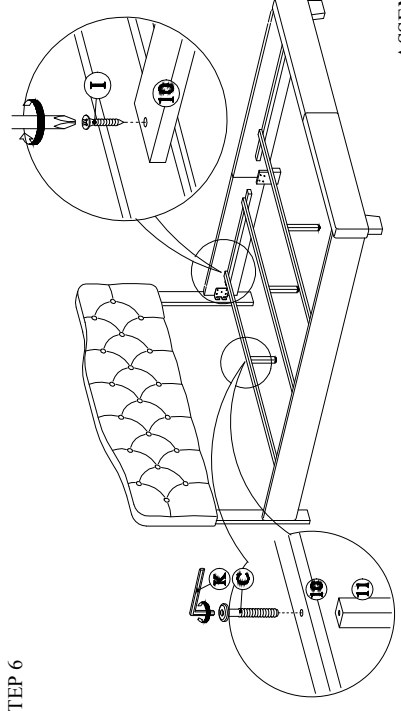
STEP 4



STEP 5



STEP 6



NO.	PART LIST	QTY
1	HEADBOARD CUSHION	1PC
2	HEADBOARD LEG	1PC
3	HEADBOARD LEG	1PC
4	FOOTBOARD CUSHION	1PC
5	FOOTBOARD LEG	2PCS
6	SIDE RAIL	2PCS
7	SIDE RAIL	2PCS
8	CLEAT	4PCS
9	SIDE RAIL SUPPORT LEG	2PCS
10	SLAT	4PCS
11	SUPPORT LEGS WITH ADJUSTABLE FEET	4PCS
ITEM	HARDWARE	QTY
A	JCBB SCREW M8 x 20mm	8PCS
B	JCBB SCREW M6 x 25mm	8PCS
C	JCBB SCREW M6 x 35mm	20PCS
D	JCBB SCREW M6 x 50mm	6PCS
E	JCBB SCREW M6 x 110mm	2PCS
F	WOOD DOWEL M8 x 30mm	2PCS
G	SPRING WASHER M6 x 13mm	30PCS
H	FLAT WASHER M6 x 19mm	30PCS
I	SCREW M4 x 32mm	8PCS
J	L-KEY M4 x 100mm	1PC
K	L-KEY M5 x 65mm	1PC

ASSEMBLY COMPLETE

Please do not tighten an the hardware until the entire assembly is completed.