

# INSTALLATION INSTRUCTIONS

## For LED Wall Mount Fixture

**WARNING! SHUT POWER OFF AT FUSE OR CIRCUIT BREAKER.**  
**AVERTISSEMENT! COUPER LE COURANT AU NIVEAU DES FUSIBLES OU DO DISJONCTEUR**

### MOUNTING THE FIXTURE (Fig. 1)

1. Shut off power at the fuse box or circuit breaker box. If necessary remove the existing fixture and its mounting hardware.
2. Carefully remove the new fixture from the carton and check that all parts are included as shown in the illustration.
3. Attach the mounting plate (A) to the junction box using junction box screws (C) (Size: 8-32\*1/2"L). The side of the mounting plate marked "GND" must face out.

### CONNECTION THE WIRES (Fig. 2)

4. At this point, connect the electrical wires as shown in Fig.2, making sure that all wire connectors are secured. If your outlet has a ground wire (green or bare copper), connect the fixture's ground Wire to it. Otherwise, connect the fixture's ground wire directly to the mounting plate using the green screw provided. After the wires are connected, tuck them carefully into the junction box.

### FINISHING THE INSTALLATION (Fig. 1)

5. Align Back plate (E) to mounting plate (A) and secure with screws (B).
6. Place glass shade (G) inside the frame (F).

Your installation is now complete. Return power to the junction box and test the fixture.

**CAUTION /ATTENTION:** When handling the fixture, do not apply pressure to the LEDs. Hold the fixture by the base or fixture body (E) only.

### Replacing LED module (Fig.3)

The LED module can be replaced by a qualified electrician without cutting the wires and without damaging the decorative element to which the fixture is attached. See installation steps for more details (Fig 3.)

**Warning: Turn off power at the fuse box or circuit breaker before replacing LED module.**

- a. To remove the fixture from the wall: Remove the glass(G),loosen screws (B) and remove the wire connectors. Then place the fixture on a clear flat surface.
- b. Loosen screw(M) to remove the glass shade (L)
- c. Loosen screws (K), rubber washers (J), then carefully remove LED module (I).
- d. Reverse steps a-c for installing the new LED module.

Note: The LED module should be provided by a specified supplier.

**IMPORTANT:** Fixture should be installed by a qualified electrician to ensure proper wiring and installation.

Dimmable with C-L (CFL & LED) type and Incandescent/Halogen type dimmers

Fig.1

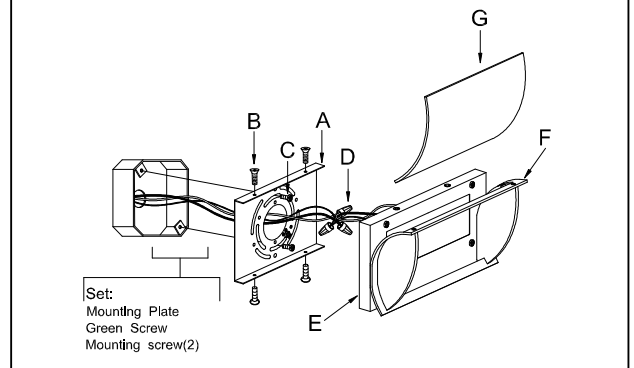


Fig.2

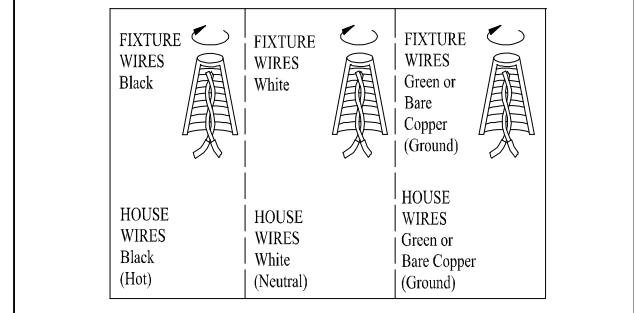


Fig.3

