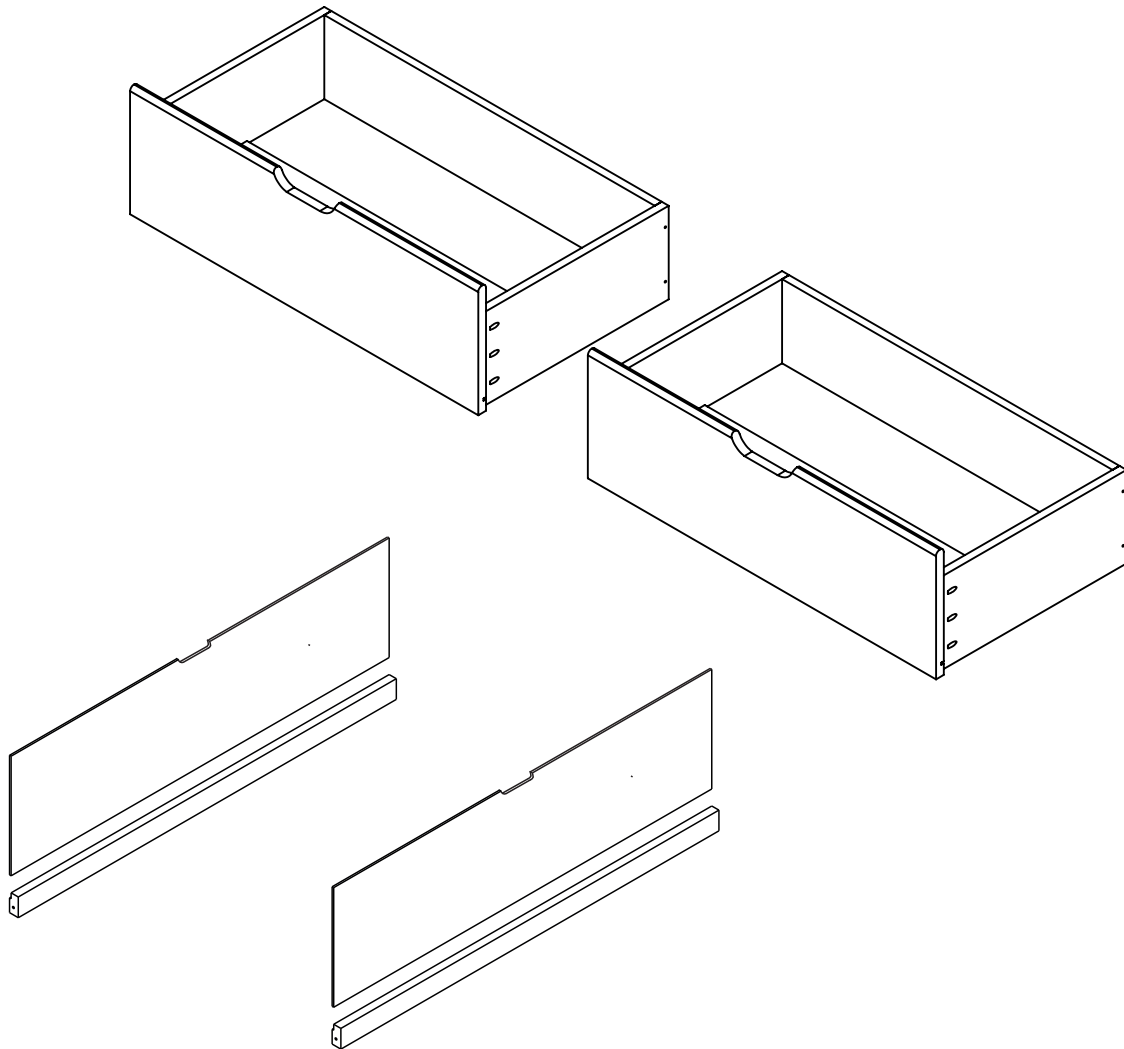


# DRAWERS + MODESTY PANEL - TWIN

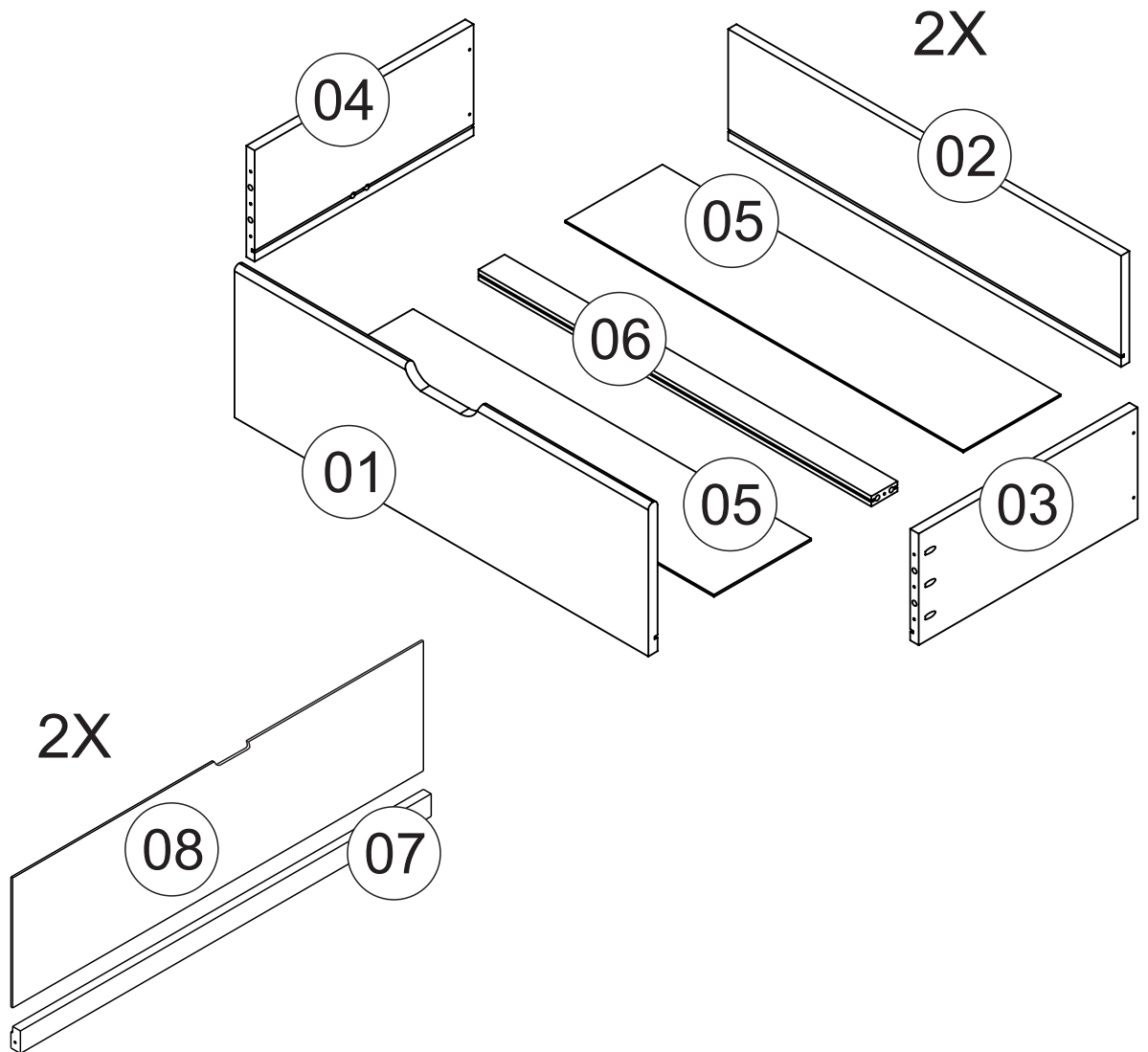


## ATTENTION

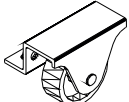
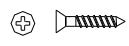


- 1 - Read and observe carefully all the assembly instructions before beginning assembly.
- 2 - The assembly of the product must be done on a clean and flat surface. We suggest to use the packaging to cover the floor to avoid damages.
- 3 - The screw must be tightened periodically.
- 4 - Avoid contact with sharp objects.
- 5 - Avoid banging pieces together.



“Please! Confirm all parts and hardware are included to assemble!”

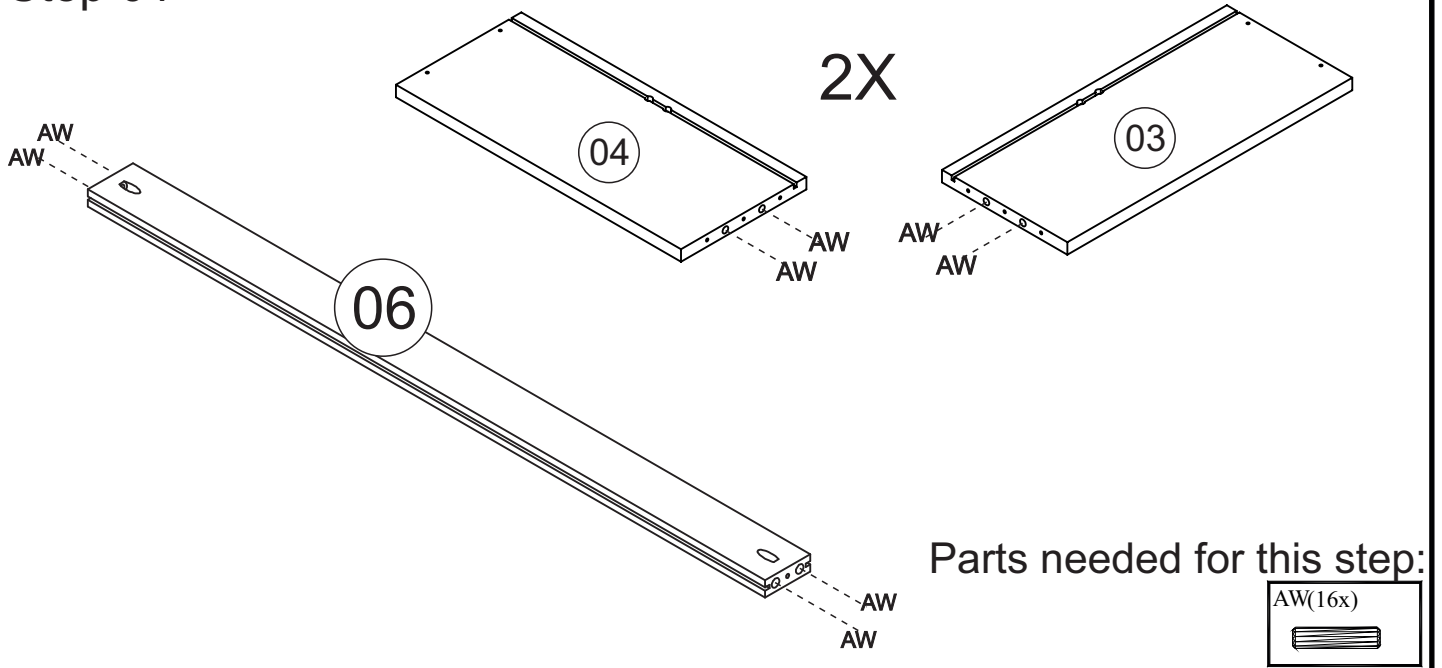


Hardware - Carton

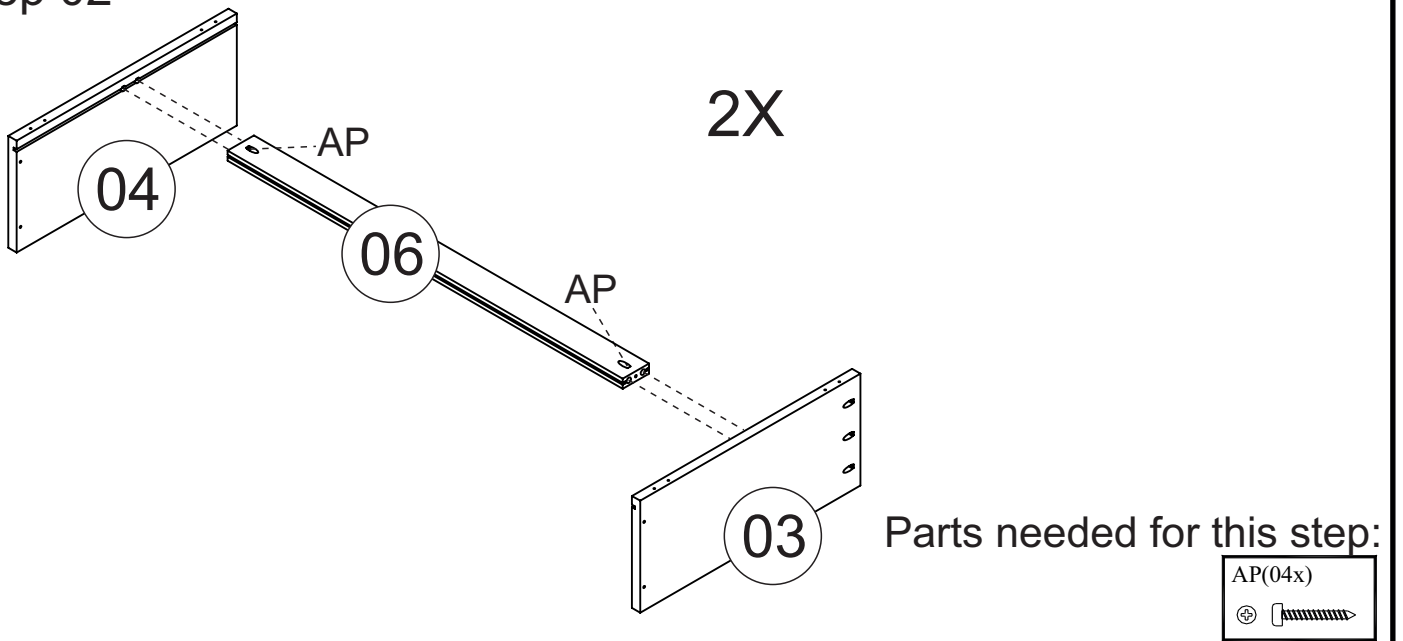
T	 1 5/16"	08x
Z	 Ø1/8" x 5/8"	44x
AP	 Ø1/8" x 1 3/8"	28x
AW	 Ø3/8" x 1 3/8"	16x

# ASSEMBLY INSTRUCTIONS

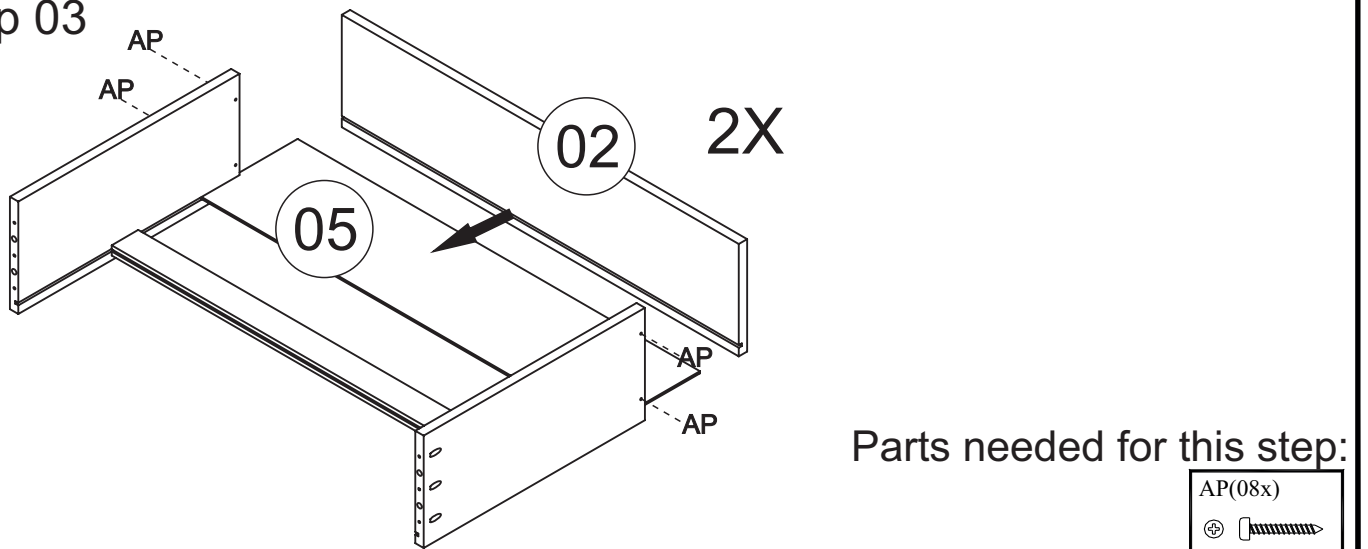
## Step 01



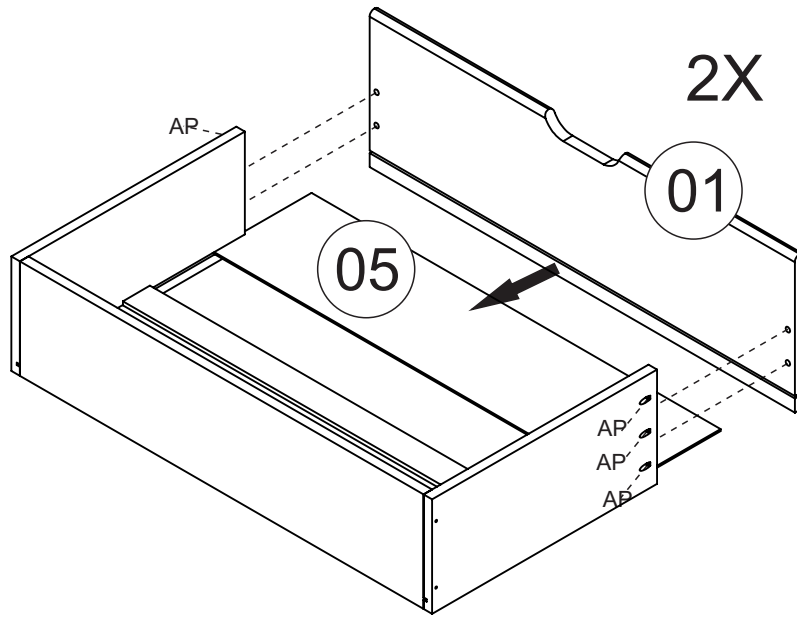
## Step 02



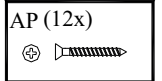
## Step 03



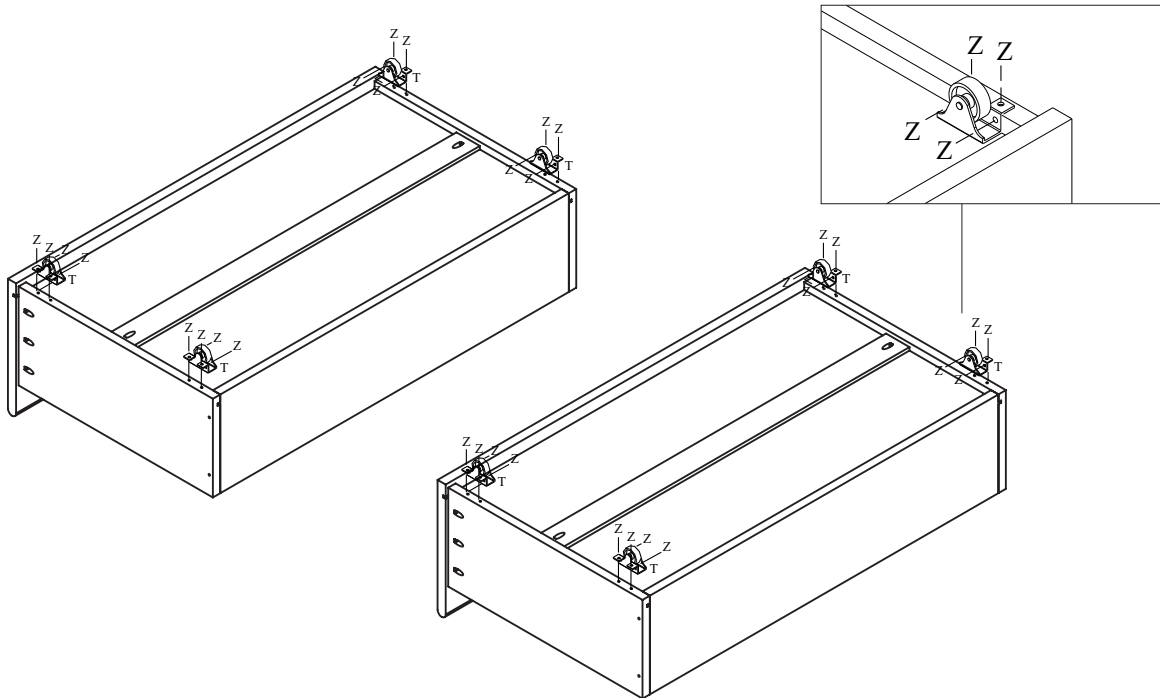
# Step 04



Parts needed for this step:



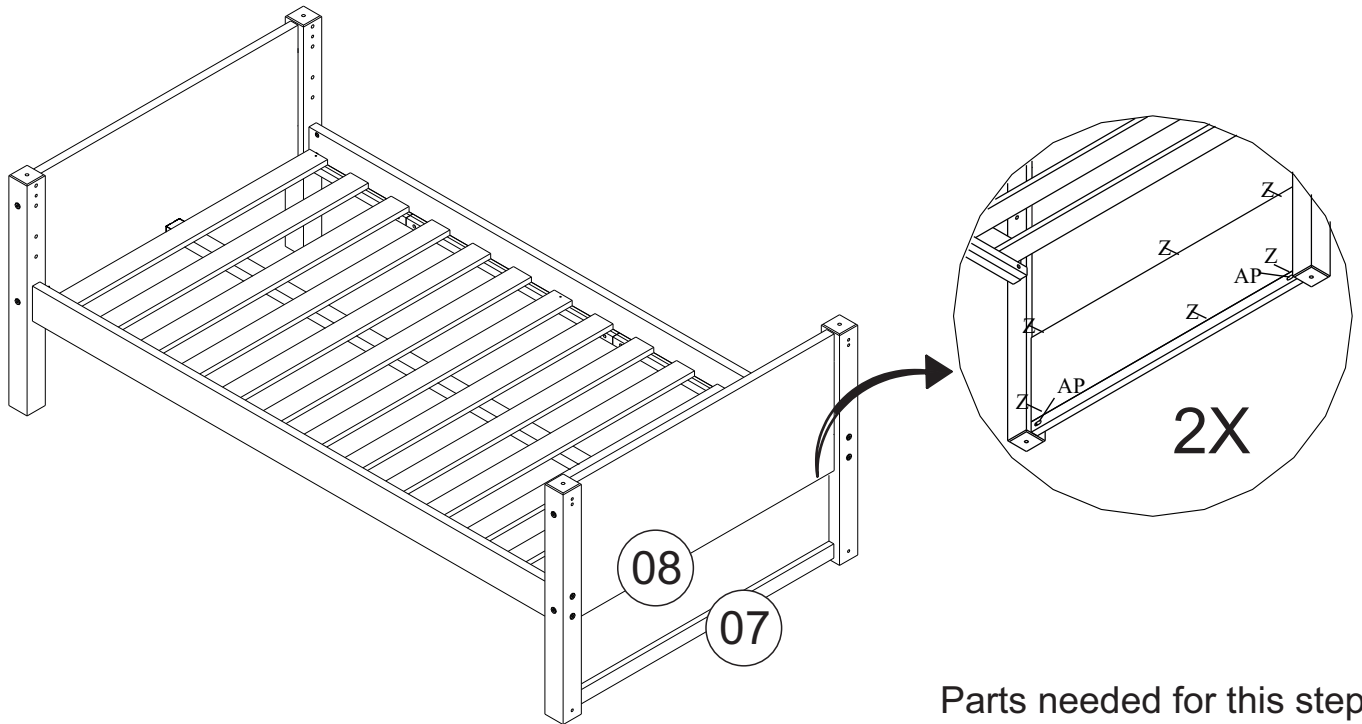
# Step 05



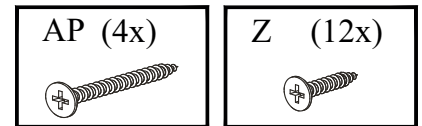
Parts needed for this step:



## Step 06



Parts needed for this step:



## Step 07

